



US00D789458S

(12) **United States Design Patent**
Weisman et al.

(10) **Patent No.:** **US D789,458 S**

(45) **Date of Patent:** **** Jun. 13, 2017**

(54) **WATER TOY**

(71) Applicant: **Global Marketing Enterprise (G.M.E.) Ltd., Tel Aviv (IL)**

(72) Inventors: **Zafirra Weisman, Tel Aviv (IL); Israel Zanger, Tel Aviv (IL)**

(**) Term: **14 Years**

(21) Appl. No.: **29/519,859**

(22) Filed: **Mar. 9, 2015**

(30) **Foreign Application Priority Data**

Sep. 10, 2014 (IL) 56058

(51) **LOC (10) Cl.** **21-01**

(52) **U.S. Cl.**
USPC **D21/473**

(58) **Field of Classification Search**
USPC D21/398, 401, 455, 468, 472, 473, 474,
D21/483, 493, 506, 507, 525, 526, 528,
D21/532, 542, 545, 543, 576, 585, 592,
D21/811

CPC A63H 23/00–23/16; A63H 29/10; A63H
29/12; A63H 29/14; A63H 33/00; A63H
33/26; A63H 33/28; A63H 33/30; A63H
33/3022; A63H 33/3038; A63H 33/3055;
A63H 33/3061; A63H 33/3072; A63H
33/42

See application file for complete search history.

(56) **References Cited**

U.S. PATENT DOCUMENTS

2,752,156 A * 6/1956 Washburn A63H 33/26
222/527
2,968,120 A * 1/1961 Reed A63H 23/10
239/17
3,030,731 A * 4/1962 Marchus A63H 29/12
446/166
D198,828 S * 8/1964 Turner D23/216

D217,485 S * 5/1970 Kohner D21/474
3,577,675 A * 5/1971 Kohner A63H 23/10
446/177
4,413,362 A * 11/1983 Chianco E03C 1/06
239/211
D275,974 S * 10/1984 Rivollet D21/474
4,689,032 A * 8/1987 Trossman A63H 23/10
114/296
D317,333 S * 6/1991 Thomson D21/474
5,480,336 A * 1/1996 Blanchard A63H 23/16
239/279
D367,505 S * 2/1996 Kino D21/472
D369,837 S * 5/1996 Kino 446/166
6,782,567 B1 * 8/2004 Austin A63H 23/10
4/496
2005/0106991 A1 * 5/2005 Marine A63H 3/52
446/296

(Continued)

Primary Examiner — Catherine Tuttle

(74) *Attorney, Agent, or Firm* — Haim M. Factor;
1st-Tech-Ideas

(57) **CLAIM**

The ornamental design for a water toy, as shown and described.

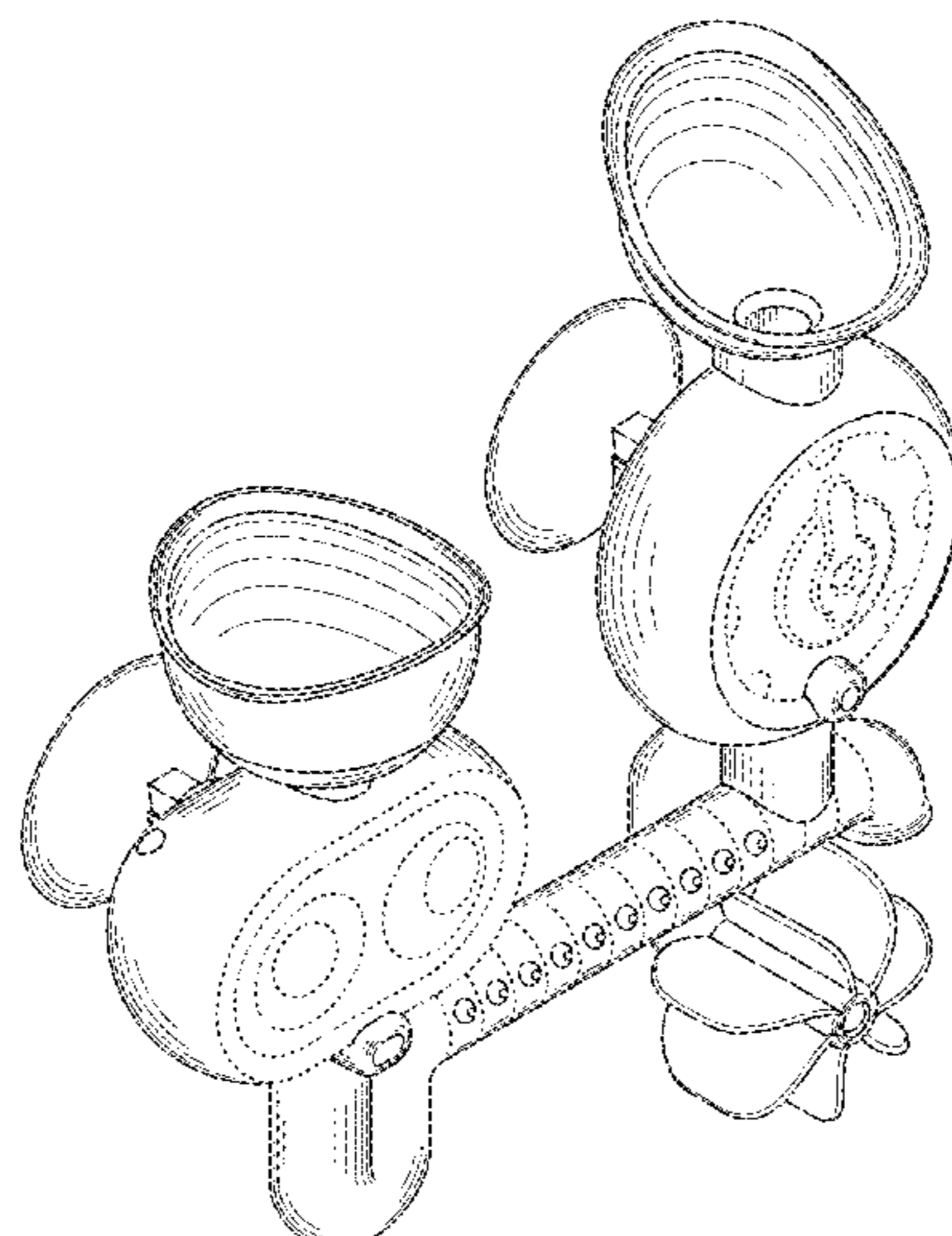
DESCRIPTION

FIG. 1 is a front and right perspective view of a water toy showing my new design;
FIG. 2 is a front view thereof;
FIG. 3 is a rear view thereof;
FIG. 4 is a right view thereof;
FIG. 5 is a top view thereof; and,
FIG. 6 is a bottom view thereof.

The broken lines are included for the purpose of illustrating the portions of the water toy that form no part of the claimed design.

The intended use of the design is for playing in a bath or pool.

1 Claim, 5 Drawing Sheets



(56)

References Cited

U.S. PATENT DOCUMENTS

2006/0059613 A1* 3/2006 Feltman A61H 33/6036
4/496
2009/0000022 A1* 1/2009 Phipps E03C 1/0408
4/601
2011/0076910 A1* 3/2011 Johnston A63H 23/04
446/163
2011/0105238 A1* 5/2011 Amron A63H 23/10
472/128

* cited by examiner

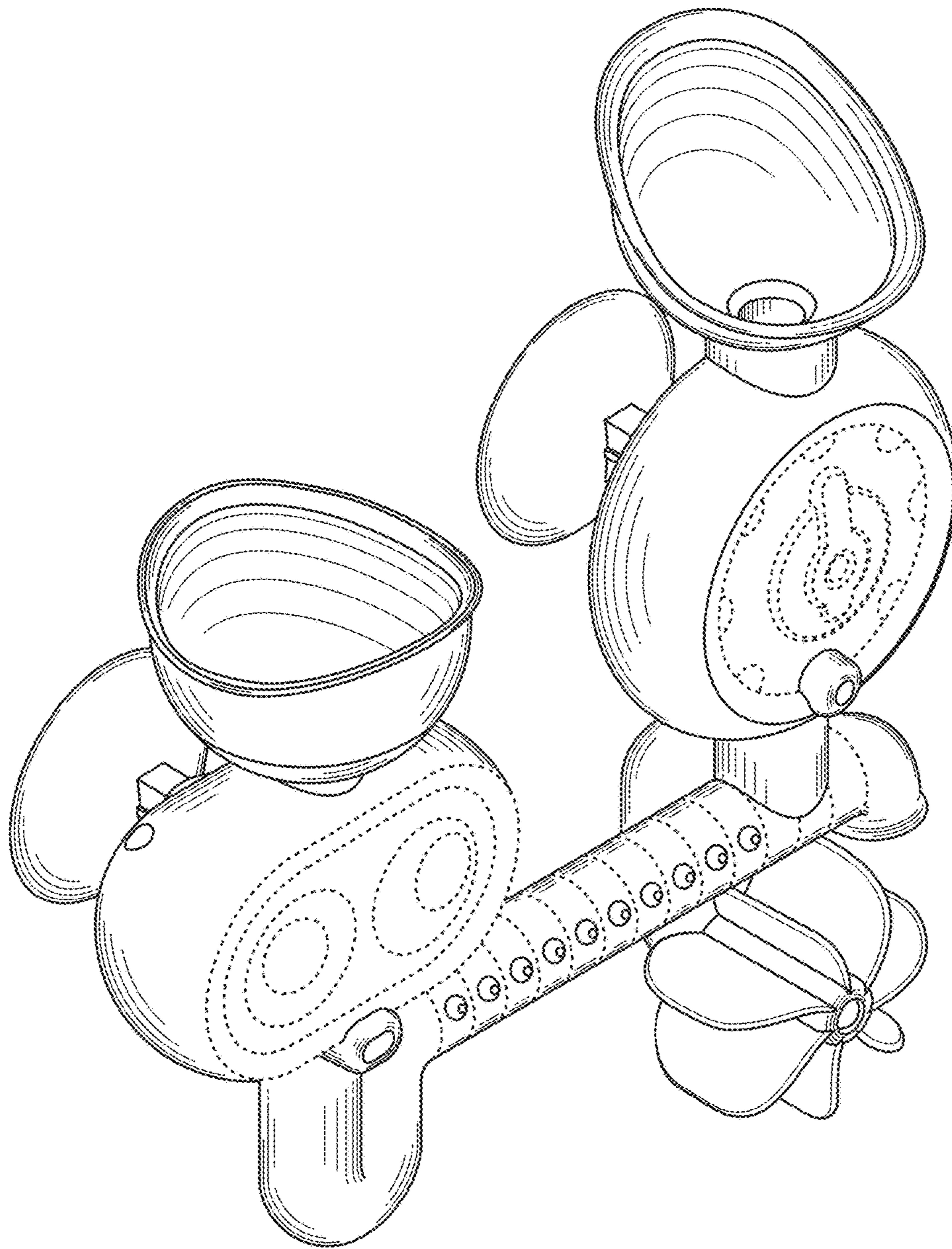


FIG. 1

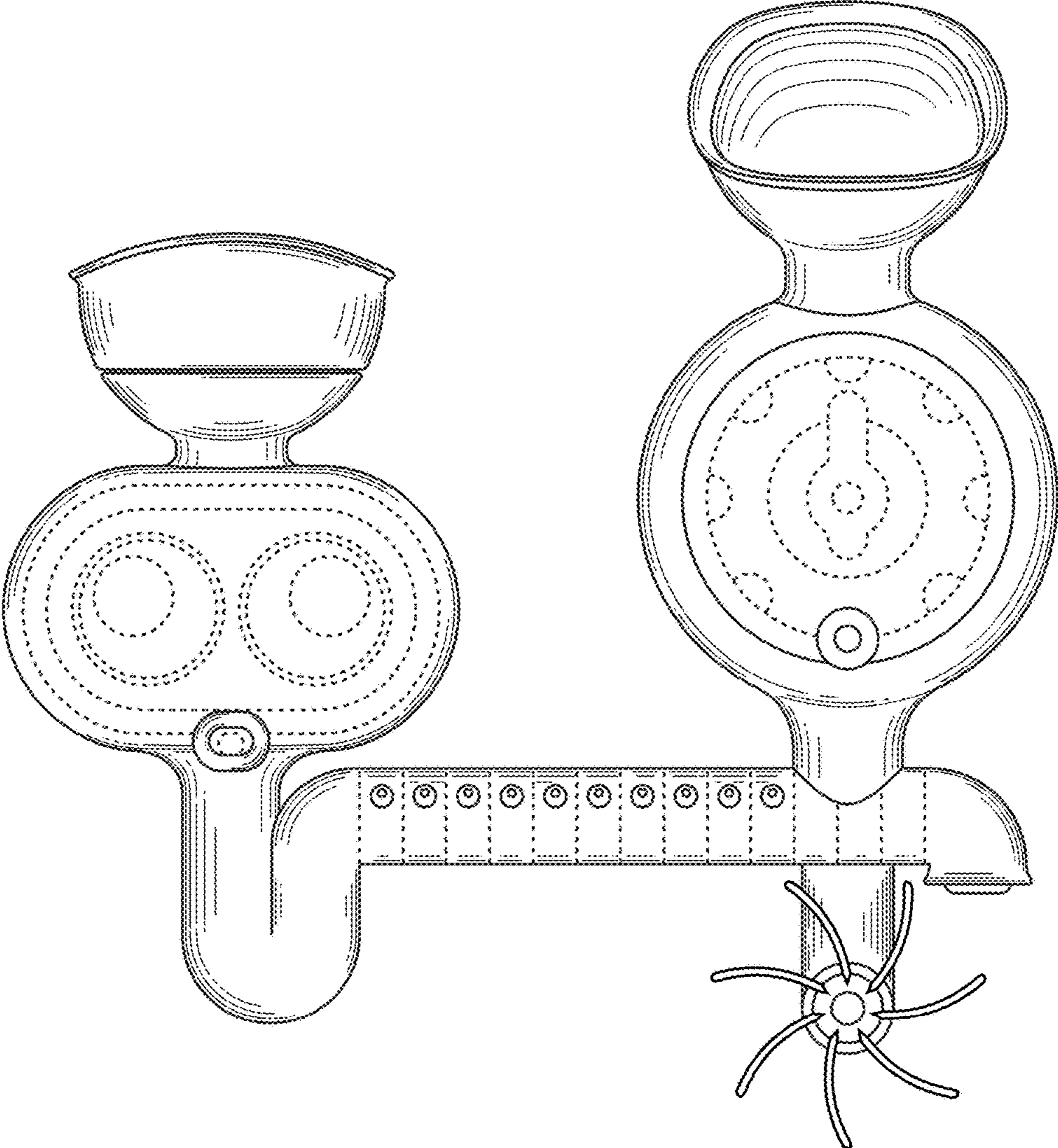


FIG. 2

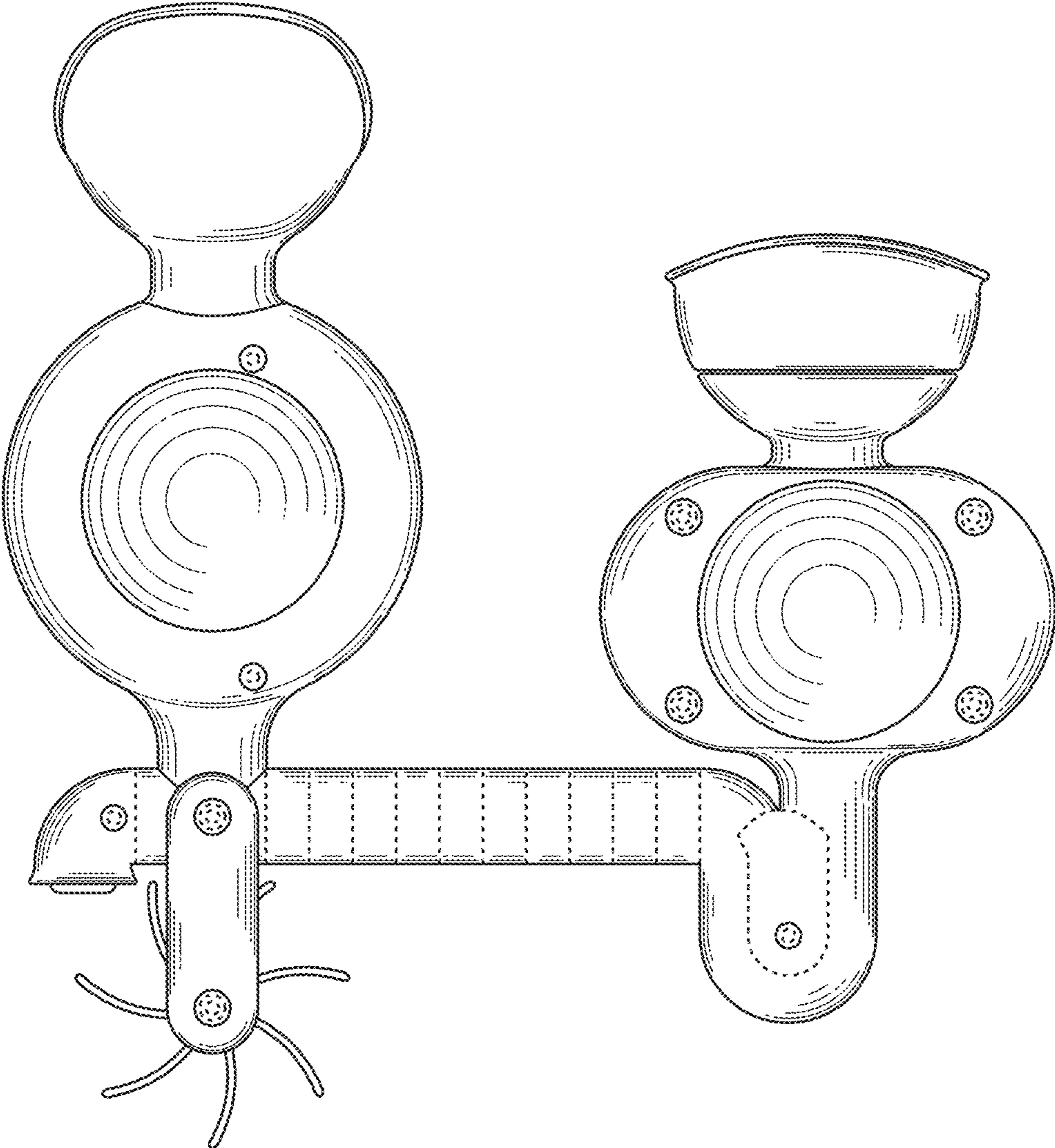


FIG. 3

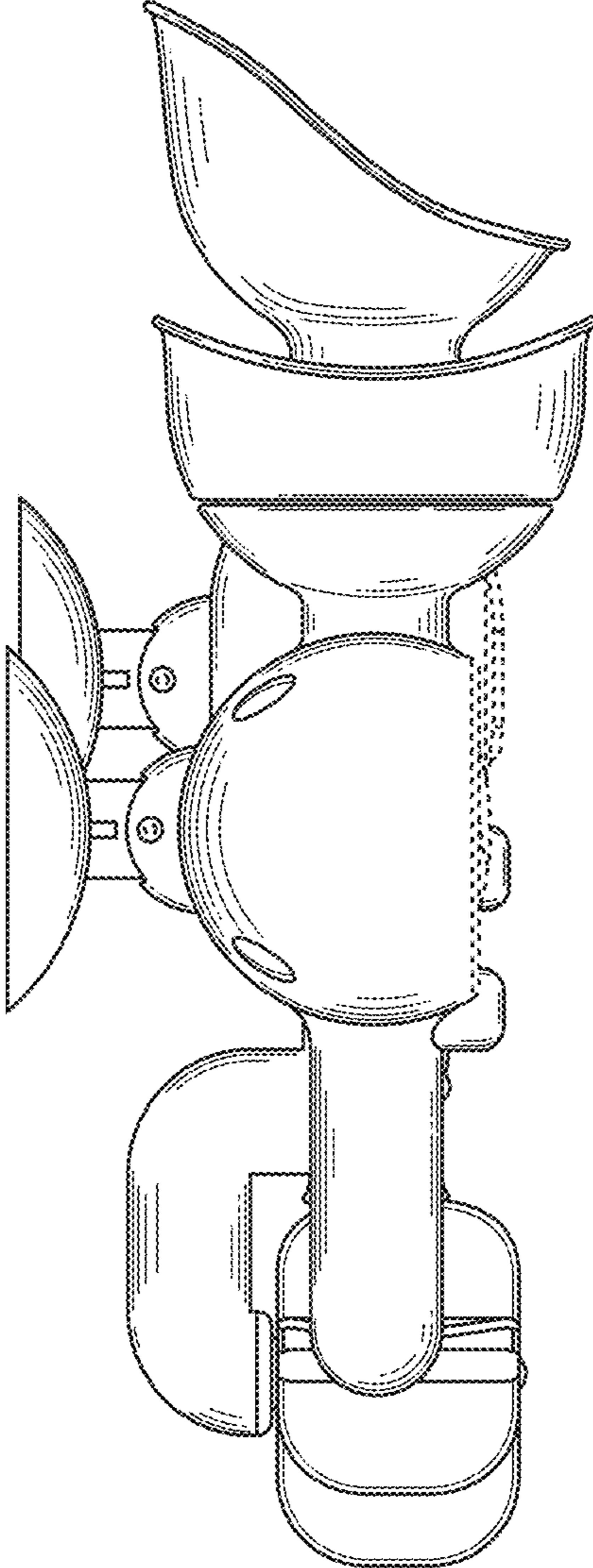


FIG. 4

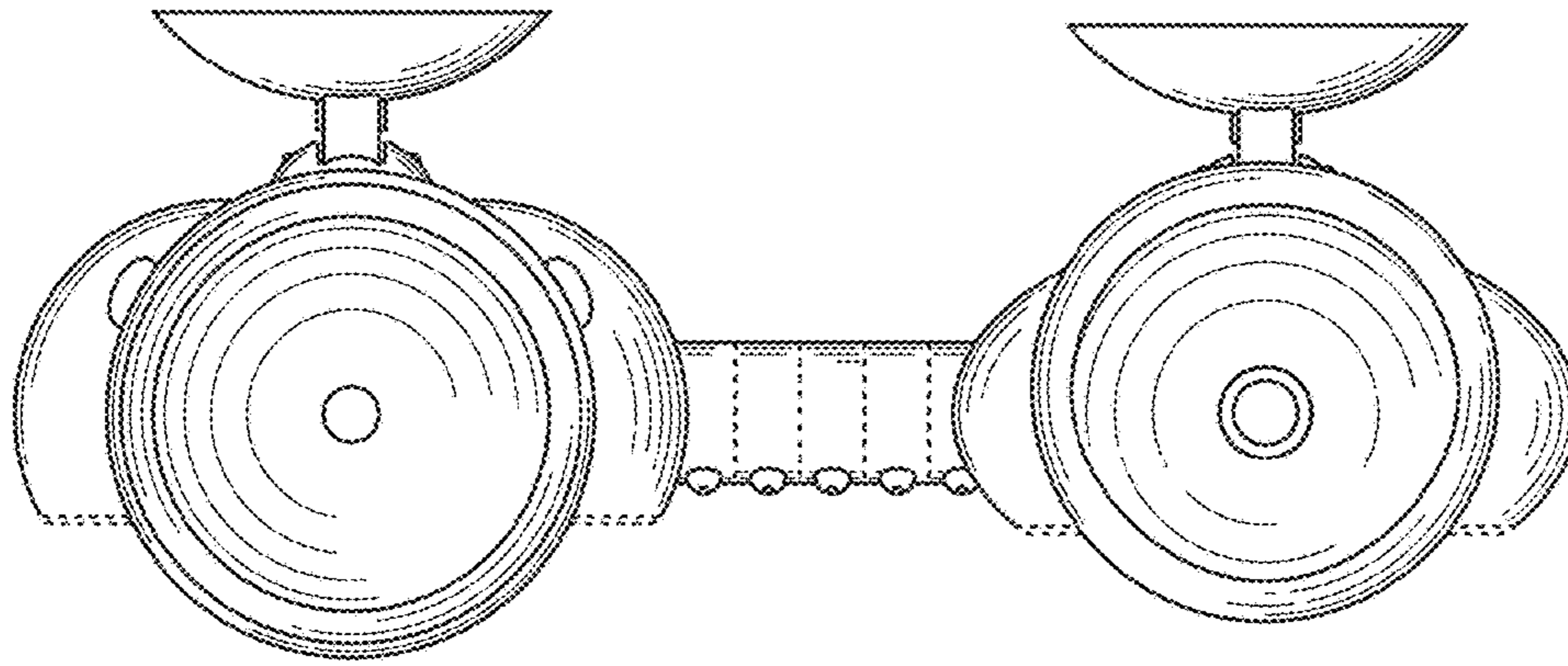


FIG. 5

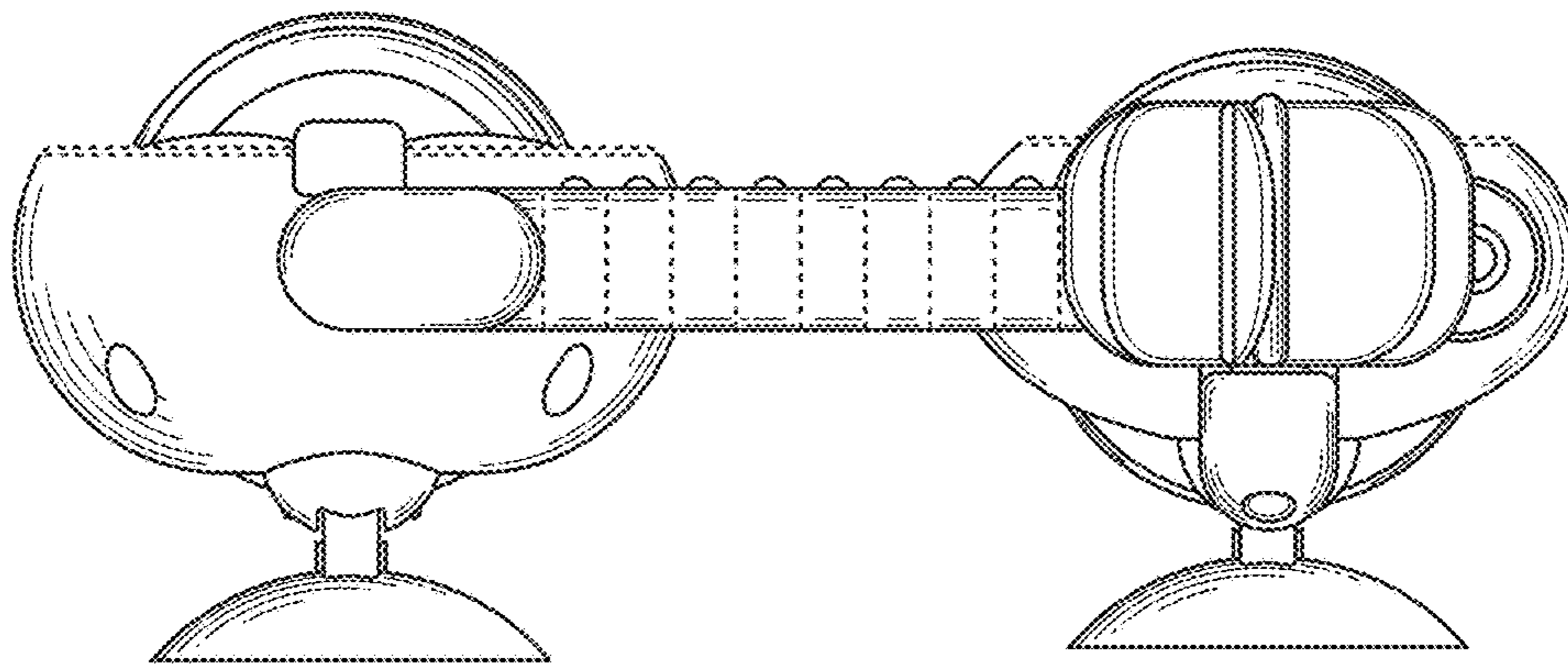


FIG. 6