



US00D789457S

(12) **United States Design Patent**
McCartin

(10) **Patent No.:** **US D789,457 S**

(45) **Date of Patent:** **** Jun. 13, 2017**

- (54) **QUADCOPTER FRAME**
- (71) Applicant: **Sean William McCartin**, Asheville, NC (US)
- (72) Inventor: **Sean William McCartin**, Asheville, NC (US)
- (**) Term: **15 Years**
- (21) Appl. No.: **29/552,139**
- (22) Filed: **Jan. 20, 2016**
- (51) **LOC (10) Cl.** **21-01**
- (52) **U.S. Cl.**
USPC **D21/453**
- (58) **Field of Classification Search**
USPC D12/16.1, 319–324, 326–345; D21/436, D21/441, 443, 444, 446, 447, 448, 449, D21/450, 451, 452, 453
CPC B64C 1/062; B64C 39/024; B64C 27/08; B64C 29/00; B64C 39/00; B64C 23/00
See application file for complete search history.

(56) **References Cited**

U.S. PATENT DOCUMENTS

| | | | | | | |
|--------------|----|---|---------|---------------|-------|-------------------------|
| D455,113 | S | * | 4/2002 | Sehgal | | D12/345 |
| D628,658 | S | * | 12/2010 | Wurm | | D21/442 |
| D710,454 | S | * | 8/2014 | Barajas | | D12/16.1 |
| 8,973,861 | B2 | | 3/2015 | Zhou et al. | | |
| 9,061,763 | B1 | * | 6/2015 | Christensen | | A63H 17/28 |
| D741,751 | S | * | 10/2015 | Klaptocz | | D12/16.1 |
| D741,779 | S | * | 10/2015 | Hsiao | | D12/16.1 |
| 9,221,536 | B2 | | 12/2015 | Wang et al. | | |
| D768,539 | S | * | 10/2016 | Lee | | D12/16.1 |
| D777,059 | S | * | 1/2017 | Zhang | | D12/16.1 |
| 2014/0099853 | A1 | | 4/2014 | Condon et al. | | |
| 2015/0051755 | A1 | * | 2/2015 | Erhart | | A63H 27/12 701/2 |
| 2015/0259066 | A1 | * | 9/2015 | Johannesson | | B64C 27/08 244/17.27 |

| | | | | | | |
|--------------|----|---|---------|-------------|-------|--------------------------|
| 2015/0321755 | A1 | * | 11/2015 | Martin | | B64C 27/50 244/17.23 |
| 2015/0336670 | A1 | * | 11/2015 | Zhang | | B64C 1/00 244/119 |
| 2016/0001879 | A1 | * | 1/2016 | Johannesson | | B64C 27/50 416/142 |
| 2016/0185454 | A1 | * | 6/2016 | Hutson | | B64C 39/024 244/17.23 |
| 2017/0001721 | A1 | * | 1/2017 | Saika | | B64C 27/48 |
| 2017/0036771 | A1 | * | 2/2017 | Woodman | | B64D 27/26 |
| 2017/0075360 | A1 | * | 3/2017 | Von Novak | | G05D 1/042 |
| 2017/0084181 | A1 | * | 3/2017 | Wilson | | G08G 5/0069 |

* cited by examiner

Primary Examiner — Robert M Spear

Assistant Examiner — Marissa J Cash

(74) *Attorney, Agent, or Firm* — The Van Winkle Law Firm; William G. Heedy; David M. Carter

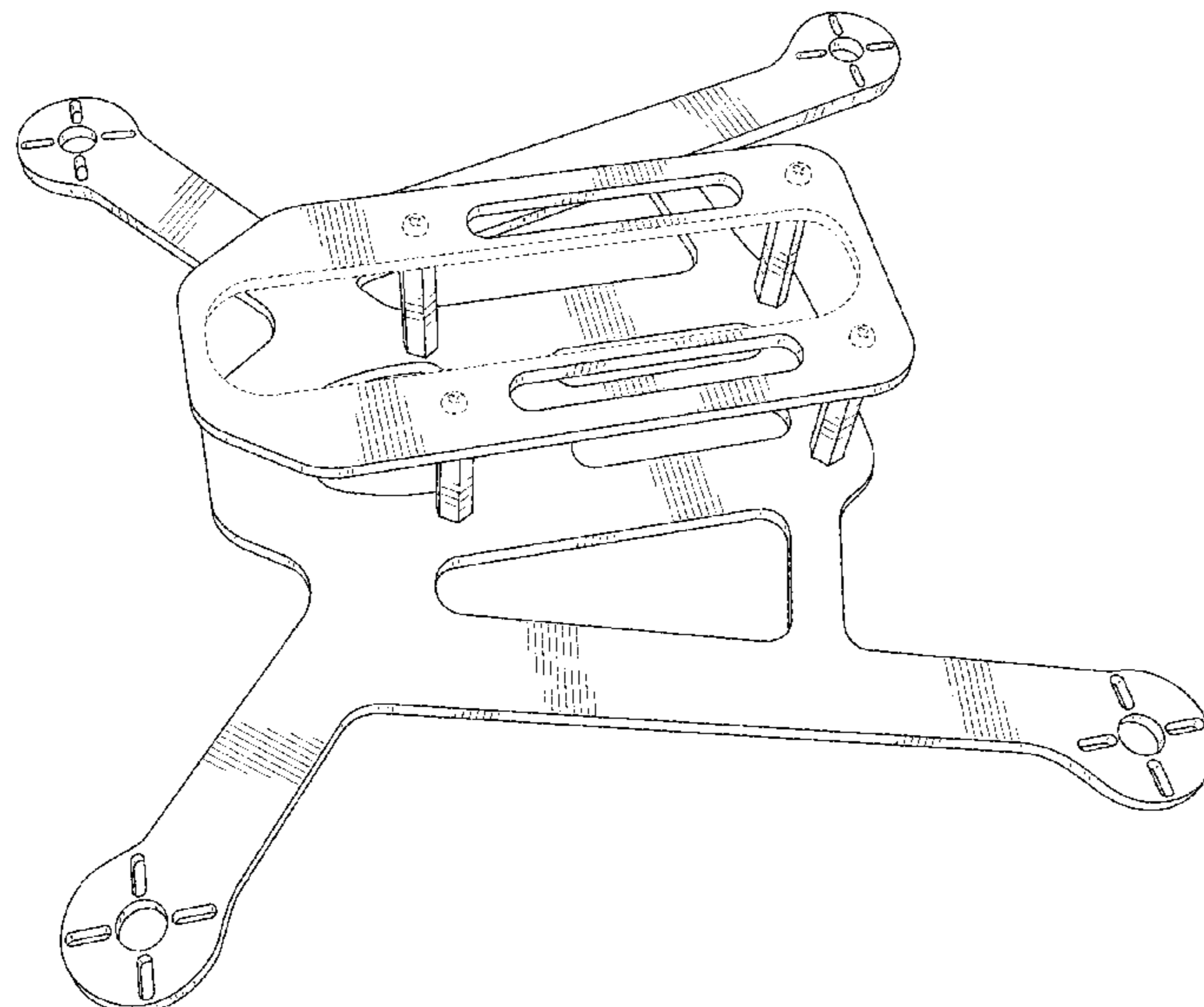
(57) **CLAIM**

The ornamental design for a quadcopter frame, as shown and described.

DESCRIPTION

FIG. 1 is a perspective view of a quadcopter frame.
 FIG. 2 is a front elevational view of the quadcopter frame of FIG. 1.
 FIG. 3 is a rear elevational view of the quadcopter frame of FIG. 1.
 FIG. 4 is a left side elevational view of the quadcopter frame of FIG. 1.
 FIG. 5 is a right side elevational view of the quadcopter frame of FIG. 1.
 FIG. 6 is a top plan view of the quadcopter frame of FIG. 1; and,
 FIG. 7 is a bottom plan view of the quadcopter frame of FIG. 1.
 The broken line showing of portions of the quadcopter frame depicts environment and forms no part of the claim.

1 Claim, 5 Drawing Sheets



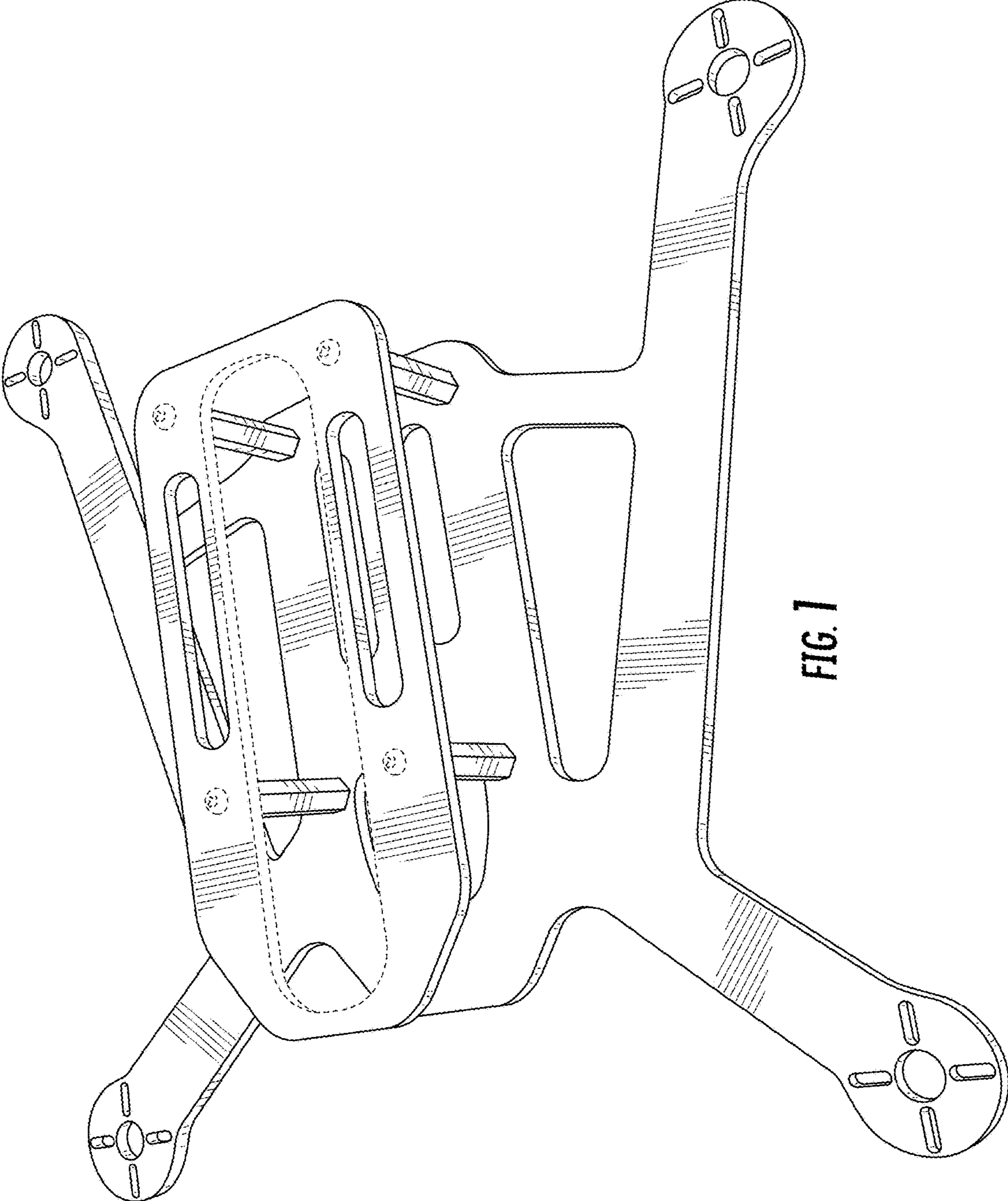


FIG. 1

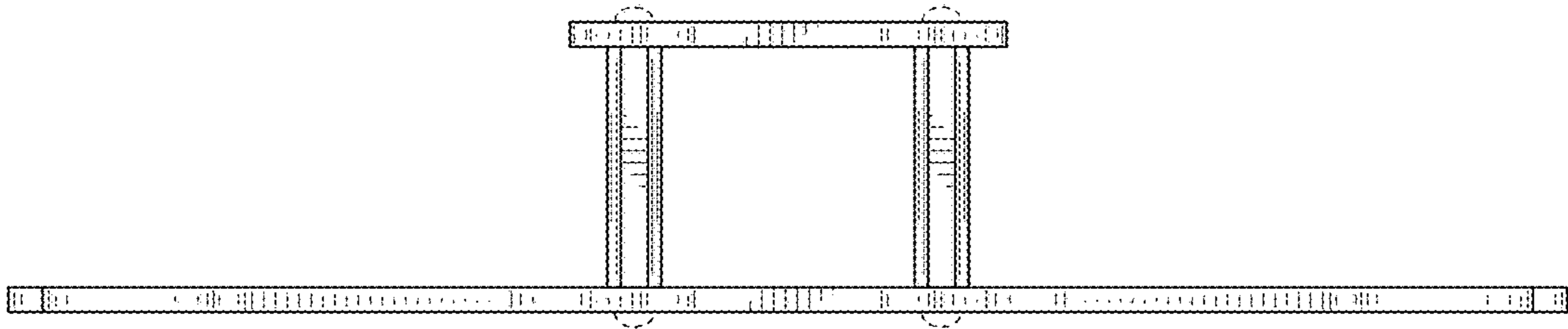


FIG. 2

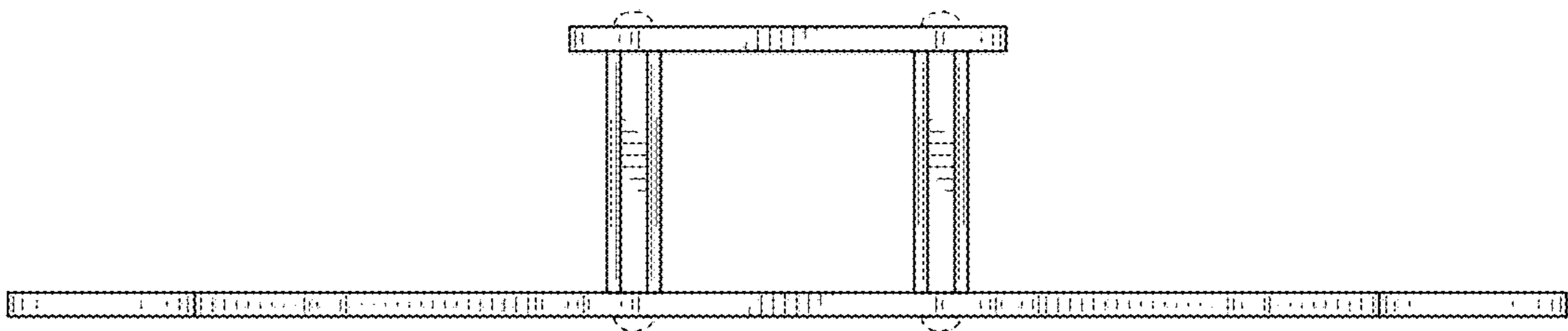


FIG. 3

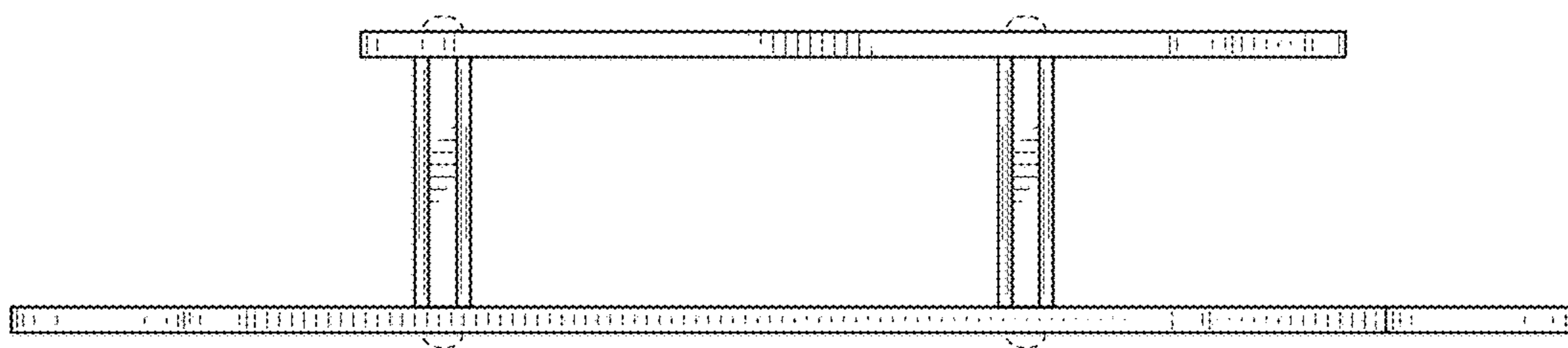


FIG. 4

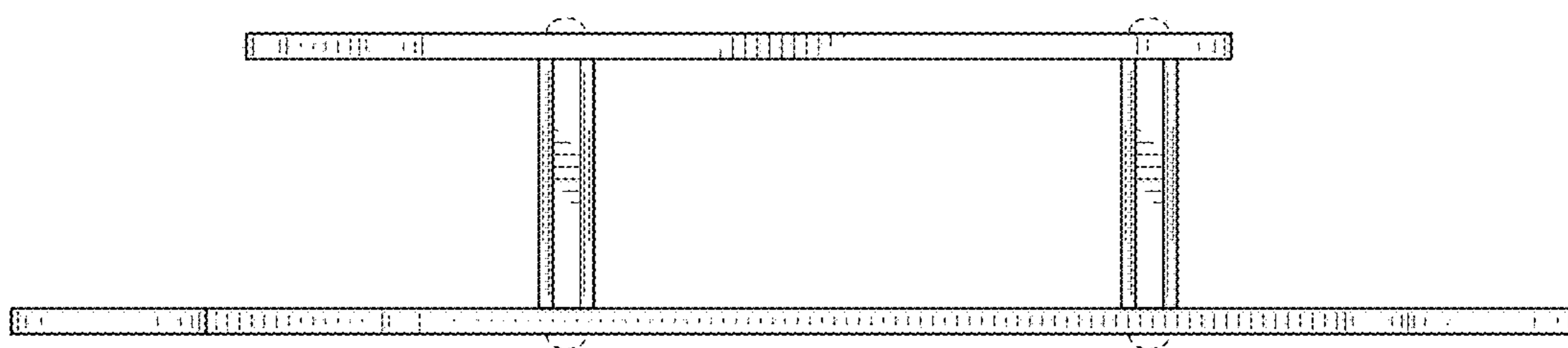


FIG. 5

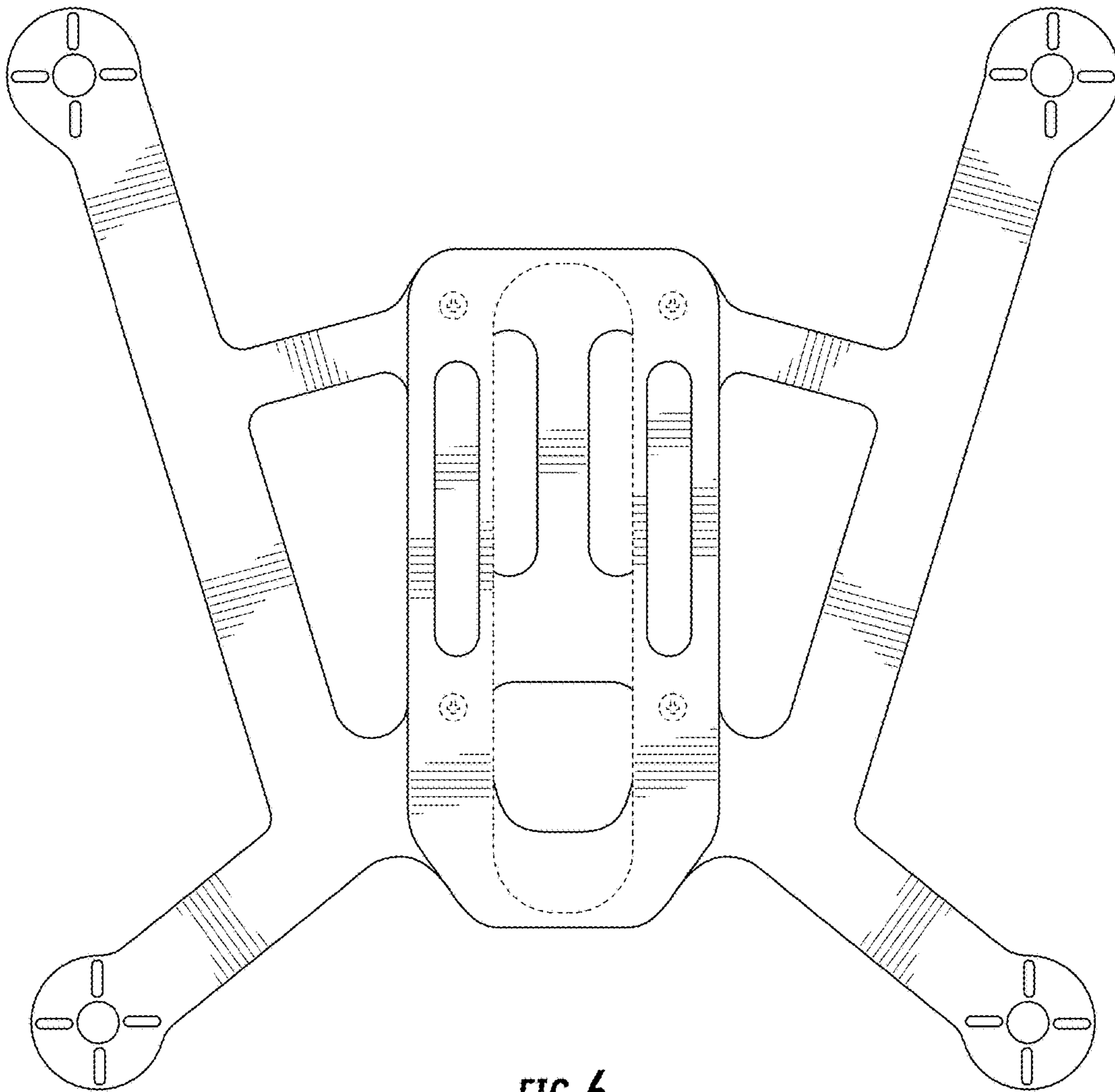


FIG. 6

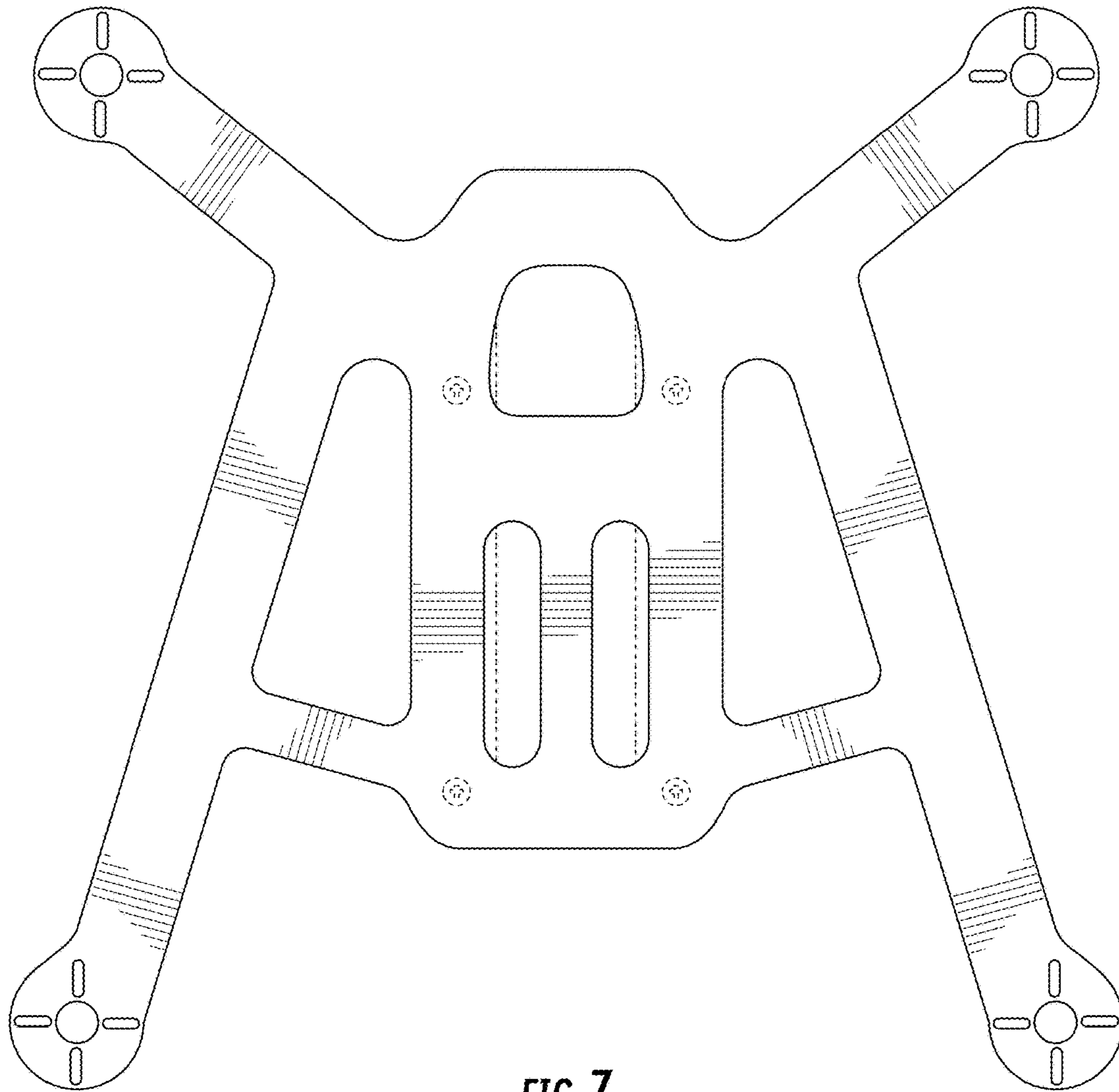


FIG. 7