



US00D789454S

(12) **United States Design Patent**
Prisnie

(10) **Patent No.:** **US D789,454 S**
(45) **Date of Patent:** **** Jun. 13, 2017**

(54) **TRADING CARD DISPLAY FRAME**

D303,814 S * 10/1989 Beck D20/39
D480,433 S * 10/2003 Wildrick D20/43
7,055,275 B1 * 6/2006 Teza A47G 1/065
40/674

(71) Applicant: **PRISNIE DISTRIBUTORS INC.,**
Okotoks (CA)

(72) Inventor: **Corey Prisnie, Okotoks (CA)**

(**) Term: **15 Years**

(21) Appl. No.: **29/546,873**

(22) Filed: **Nov. 26, 2015**

(30) **Foreign Application Priority Data**

Jul. 17, 2015 (CA) 163460

(51) **LOC (10) Cl.** **20-03**

(52) **U.S. Cl.**
USPC **D20/44; D6/300**

(58) **Field of Classification Search**
USPC D20/10, 19, 43, 44, 99; D25/119, 121;
D6/300
CPC ... G09F 1/10; G09F 1/103; G09F 1/12; G09F
2001/106; G09F 3/18; G09F 3/185; G09F
3/20; G09F 3/201; G09F 3/204
See application file for complete search history.

(56) **References Cited**

U.S. PATENT DOCUMENTS

1,621,262 A * 3/1927 MacQuarrie G09B 1/00
160/345
2,388,221 A * 10/1945 Smith G07D 9/004
150/150
3,422,555 A * 1/1969 Woolf G09F 1/10
40/124.05
3,977,112 A * 8/1976 Breer, II G09F 1/12
40/661
D296,707 S * 7/1988 Vea D20/44

* cited by examiner

Primary Examiner — Mary Ann Calabrese
(74) *Attorney, Agent, or Firm* — Bennett Jones LLP

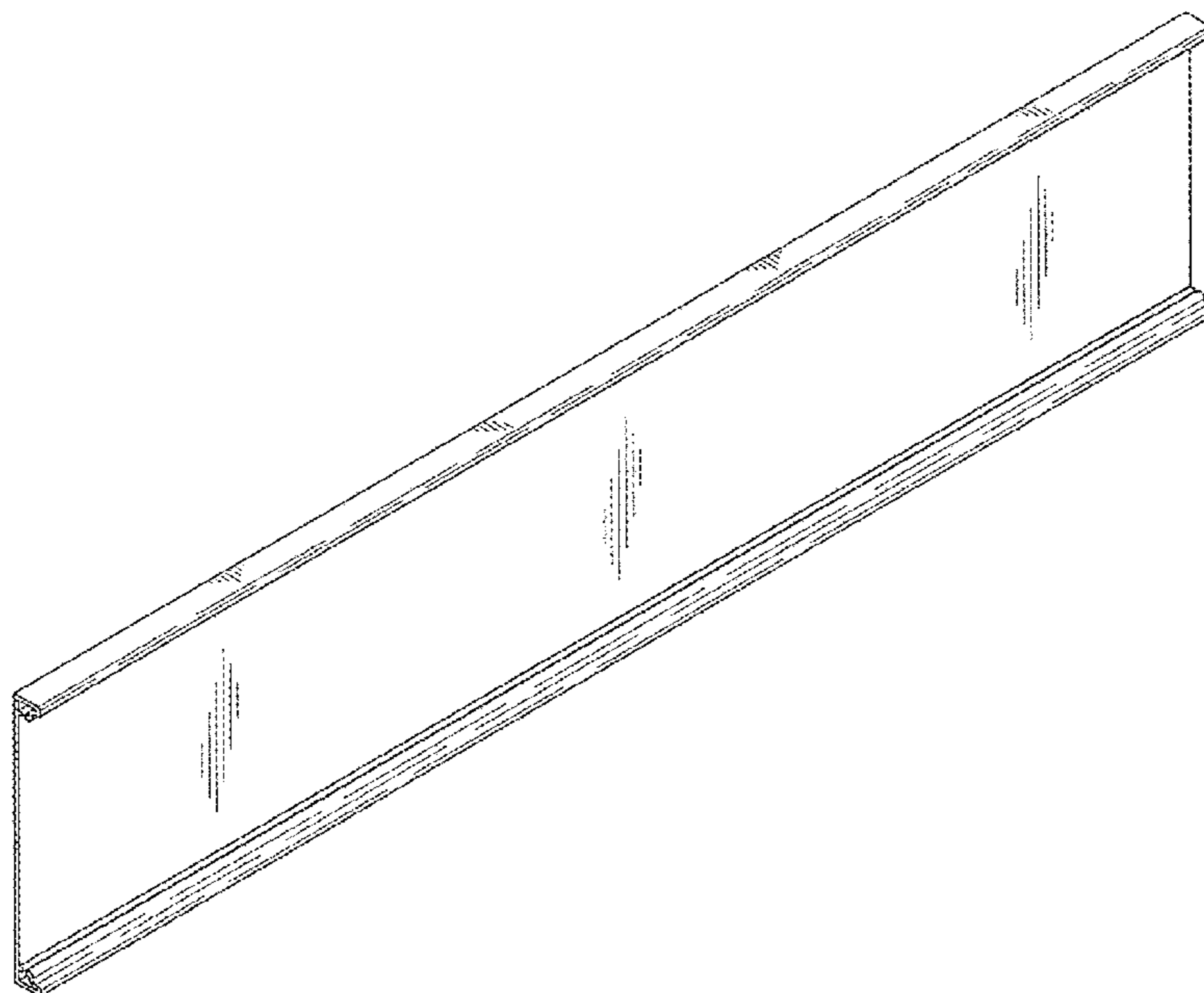
(57) **CLAIM**

The ornamental design for a trading card display frame, as shown and described.

DESCRIPTION

FIG. 1 is a perspective view of the trading card display frame of the present design;
FIG. 2 is a top plan view of the trading card display frame of the present design;
FIG. 3 is a bottom plan view of the trading card display frame of the present design;
FIG. 4 is a left side elevation view of the trading card display frame of the present design;
FIG. 5 is a right side elevation view of the trading card display frame of the present design;
FIG. 6 is a first end elevation view of the trading card display frame of the present design;
FIG. 7 is an opposite end elevation view of the trading card display frame of the present design; and,
FIG. 8 is a perspective view of the trading card display frame of the present design showing environment with a trading card (shown in broken lines) installed in the frame.
In the drawings, the broken lines illustrate environment and form no part of the claimed design.

1 Claim, 4 Drawing Sheets



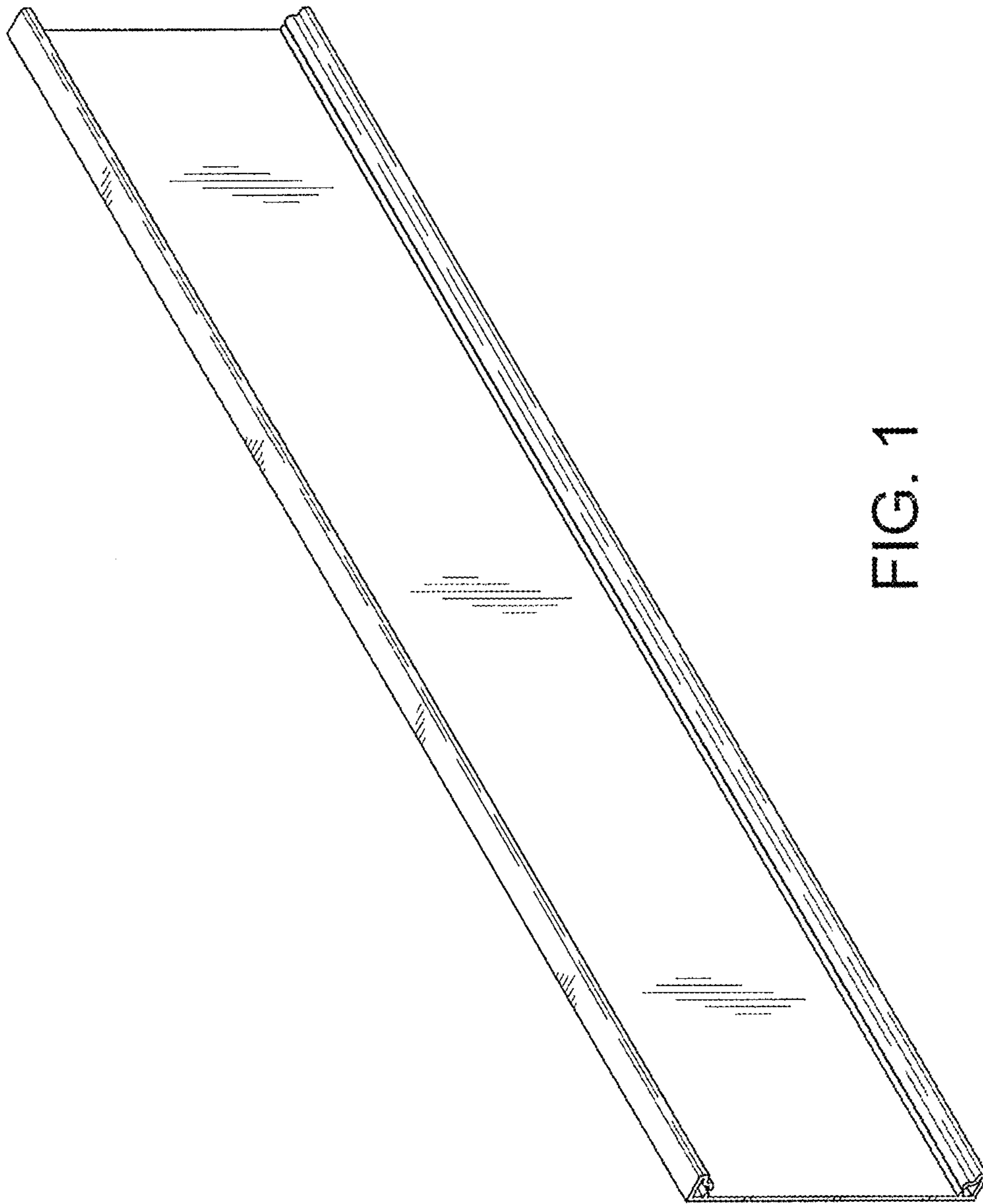


FIG. 1

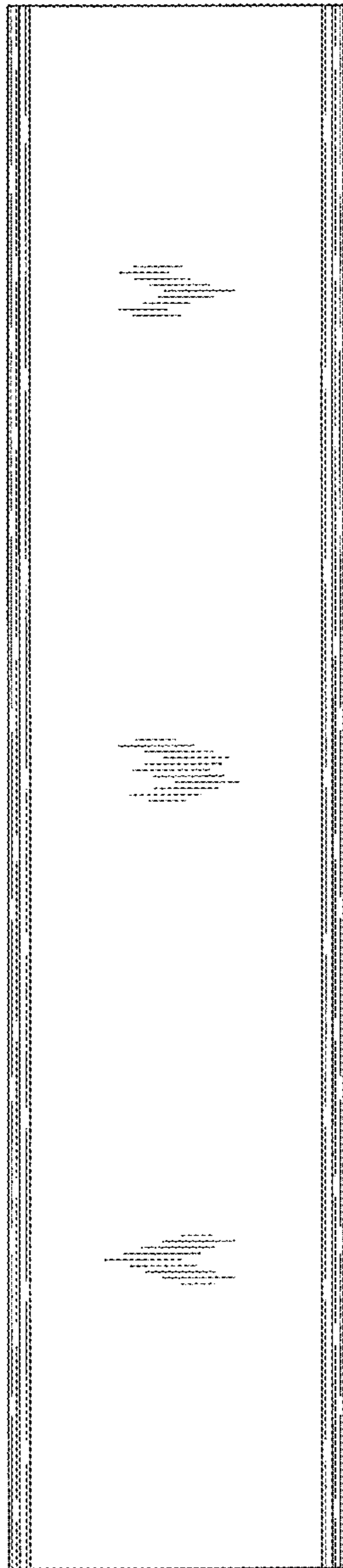


FIG. 2

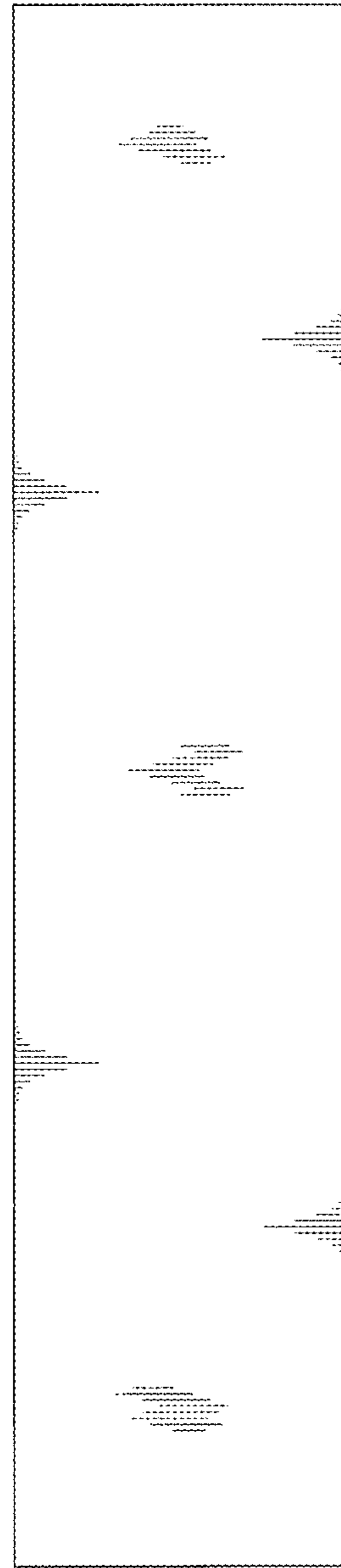


FIG. 3

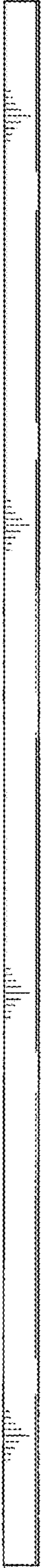


FIG. 4



FIG. 5



FIG. 6

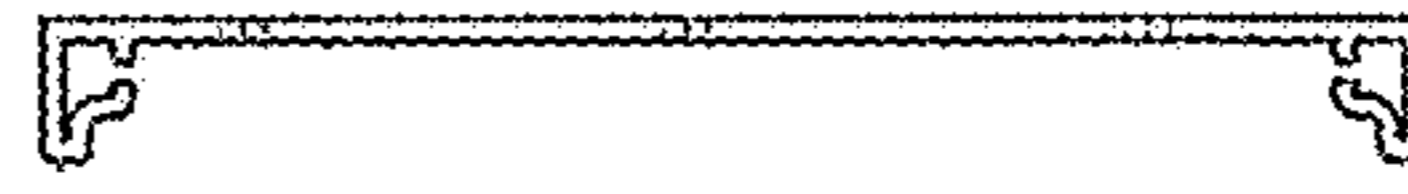


FIG. 7

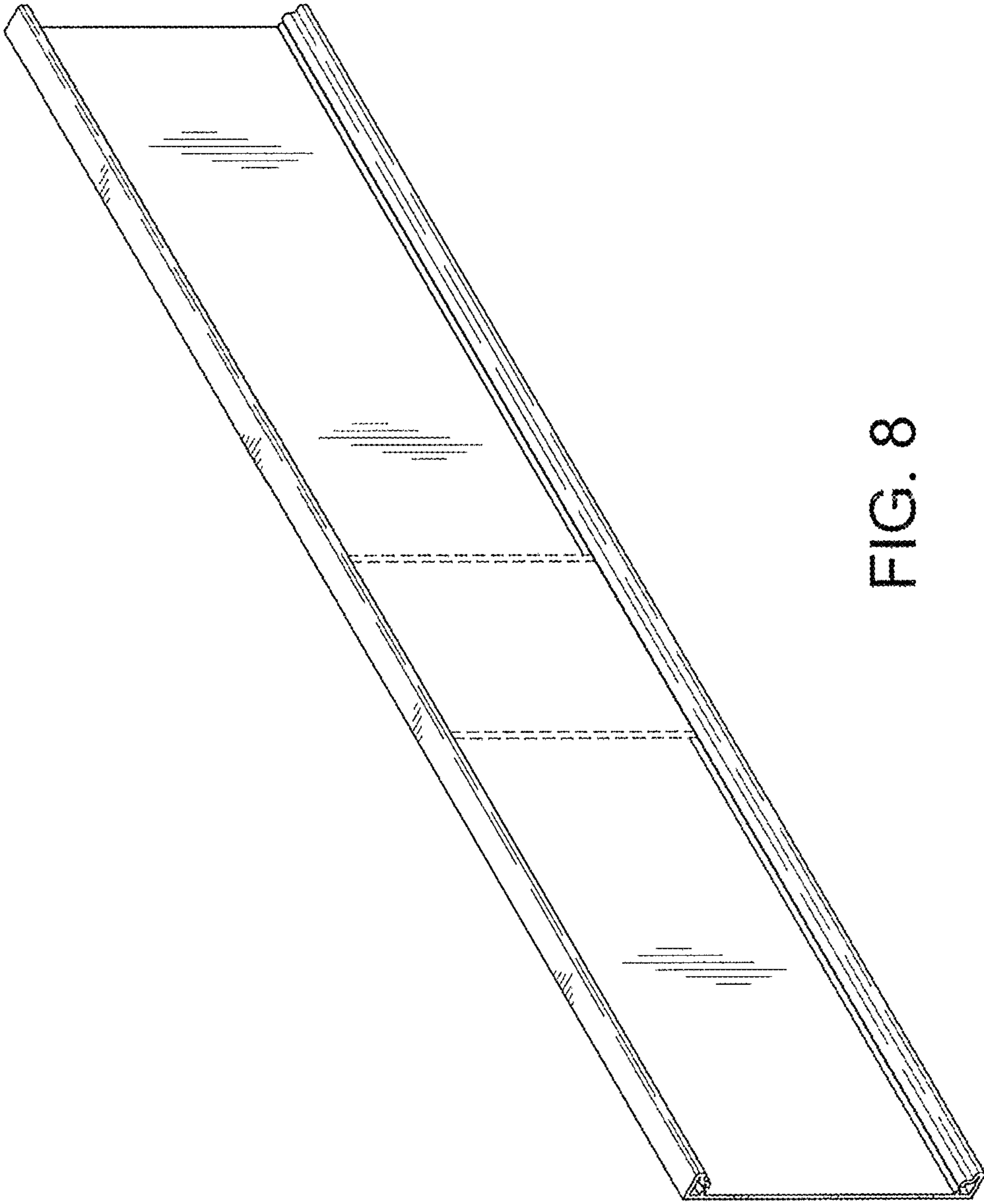


FIG. 8