



US00D789449S

(12) **United States Design Patent**  
**Berk**

(10) **Patent No.:** **US D789,449 S**

(45) **Date of Patent:** **\*\* Jun. 13, 2017**

(54) **HAND-HELD EDUCATIONAL GAME**

(71) Applicant: **Dustin Meyer Berk**, Irvine, CA (US)

(72) Inventor: **Dustin Meyer Berk**, Irvine, CA (US)

(\*\*) Term: **14 Years**

(21) Appl. No.: **29/497,173**

(22) Filed: **Jul. 22, 2014**

(51) **LOC (10) Cl.** ..... **19-07**

(52) **U.S. Cl.**

USPC ..... **D19/60**

(58) **Field of Classification Search**

USPC ..... D19/59-64; D21/599, 415, 592, 650,  
D21/576, 603; D11/205, 224, 233, 239,  
D11/31, 49, 50, 81, 82, 100, 127, 134,  
D11/149, 158, 173, 121, 157; D9/606;  
D25/176, 113, 112; D32/43; 273/443,  
273/447, 448, 456; 446/153, 175;  
434/159-161, 168, 178; 428/16;  
D1/100; D22/133; D17/20; D30/160;  
D8/356

CPC ... A63H 3/52; A63H 3/18; A63H 3/46; A63H  
3/02; A63H 33/00; A63H 23/10; A63H  
3/28; A63H 13/02; A63H 5/00; A63F  
9/305; A63F 9/34; G09B 19/22; G09B  
5/062; G09B 5/04; G09B 19/04; G09B  
5/06; G10H 1/0551; G10H 1/26

See application file for complete search history.

(56) **References Cited**

**U.S. PATENT DOCUMENTS**

2,703,469 A \* 3/1955 Raizen ..... A63F 9/305  
446/153  
D198,576 S \* 7/1964 Trevena ..... D21/415  
D220,701 S \* 5/1971 Honzik ..... D11/81  
3,864,872 A \* 2/1975 Hoetzel ..... A63F 9/34  
273/448

D247,259 S \* 2/1978 Yonezawa ..... D21/592  
D253,283 S \* 10/1979 Mills ..... 428/16  
D269,862 S \* 7/1983 Meyer ..... D11/50  
D314,728 S \* 2/1991 Wick ..... D11/50  
5,050,876 A \* 9/1991 Chuang ..... A63F 9/34  
273/456  
D325,069 S \* 3/1992 Gaury ..... D1/100  
5,141,465 A \* 8/1992 Stellman ..... A63F 9/305  
273/447  
5,282,766 A \* 2/1994 Fleet ..... A63H 33/00  
446/153  
D371,726 S \* 7/1996 Strohleim ..... D11/134  
D401,883 S \* 12/1998 Madhvani ..... D11/81  
D401,885 S \* 12/1998 Goldstein ..... D11/81  
D404,683 S \* 1/1999 Kostic ..... D11/158  
D410,593 S \* 6/1999 Emalfarb ..... D11/158  
D413,355 S \* 8/1999 Cogliano ..... D19/59  
D414,543 S \* 9/1999 Firmin ..... D22/133

(Continued)

*Primary Examiner* — Ian Simmons

*Assistant Examiner* — Mark Cavanna

(74) *Attorney, Agent, or Firm* — Jeffrey Sonnabend;  
SonnabendLaw

(57) **CLAIM**

The ornamental design for hand-held educational game, as shown and described.

**DESCRIPTION**

FIG. 1 is a front elevational view of a hand-held educational game showing my new design.

FIG. 2 is a rear elevational view thereof.

FIG. 3 is a side elevational view thereof.

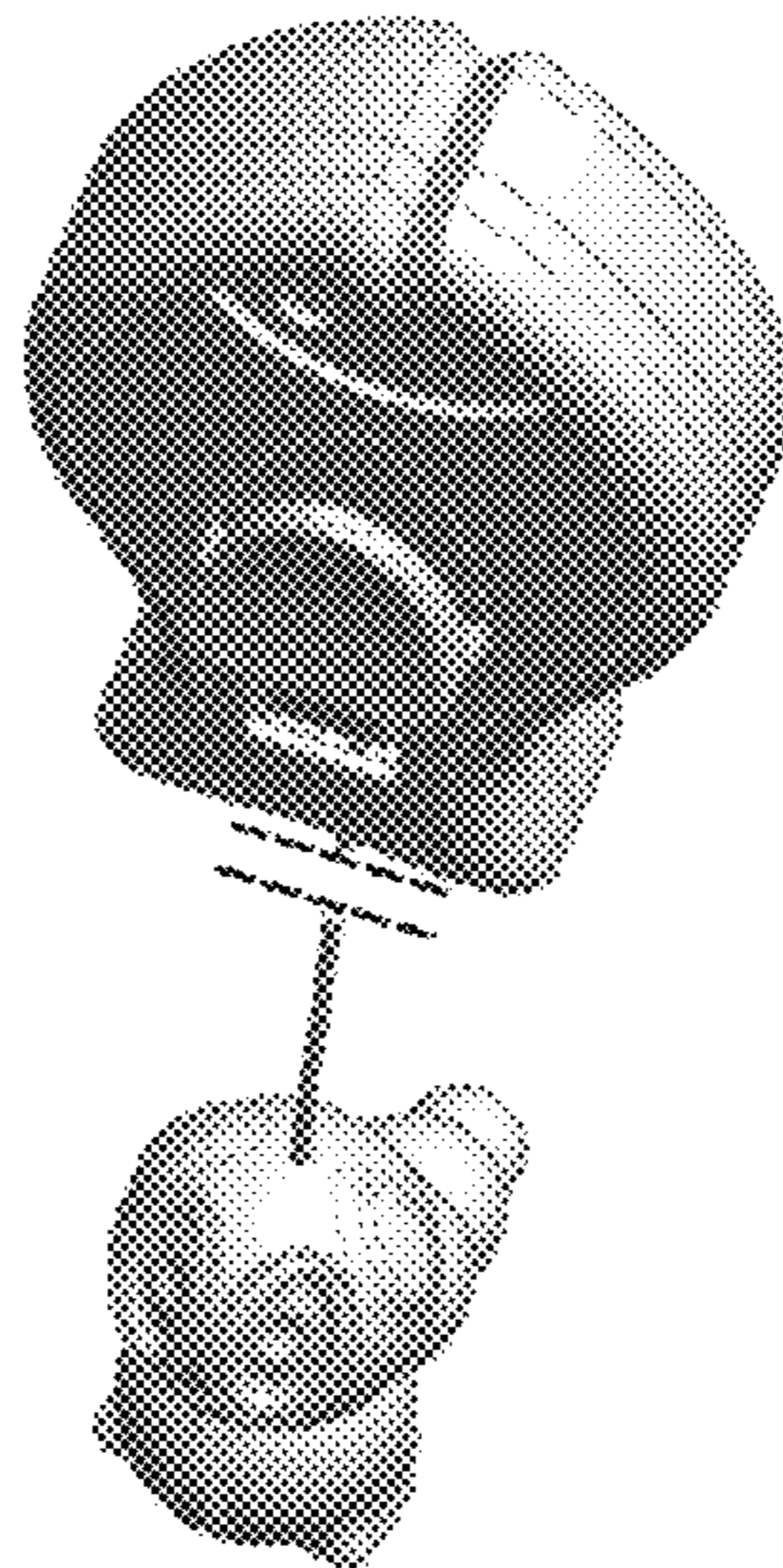
FIG. 4 is a perspective bottom view thereof.

FIG. 5 is a perspective top rear view thereof; and,

FIG. 6 is a perspective top front view thereof.

The hand-held educational game is shown with a symbolic break in its length. The appearance of any portion of the article between the break lines forms no part of the claimed design.

**1 Claim, 1 Drawing Sheet**



(56)

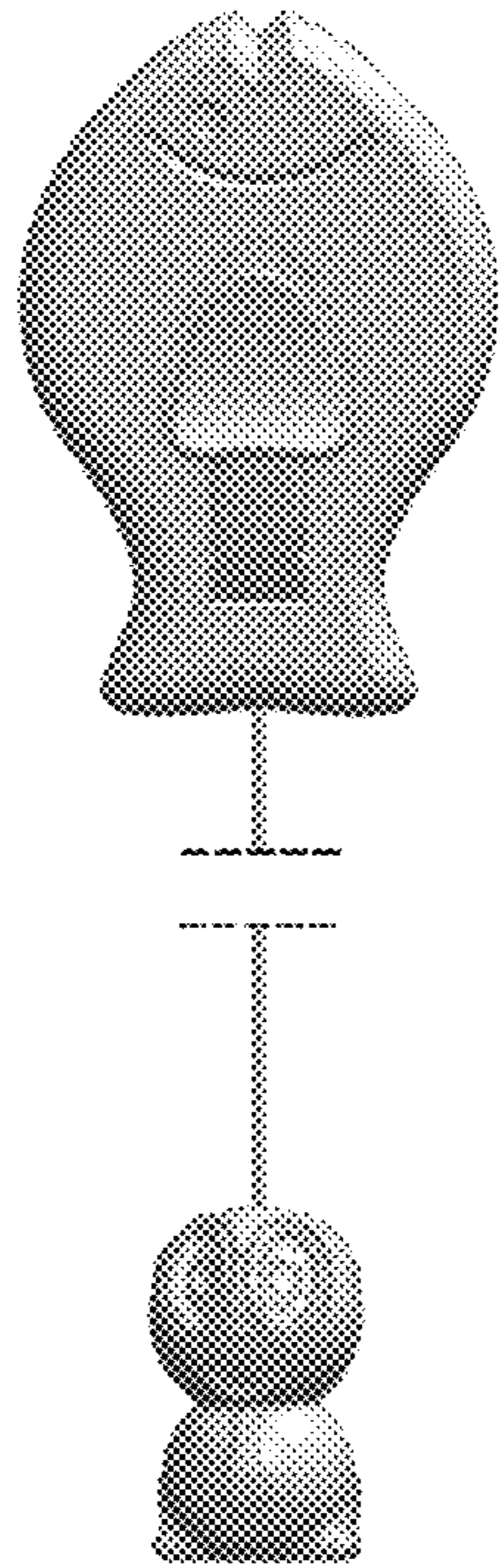
References Cited

U.S. PATENT DOCUMENTS

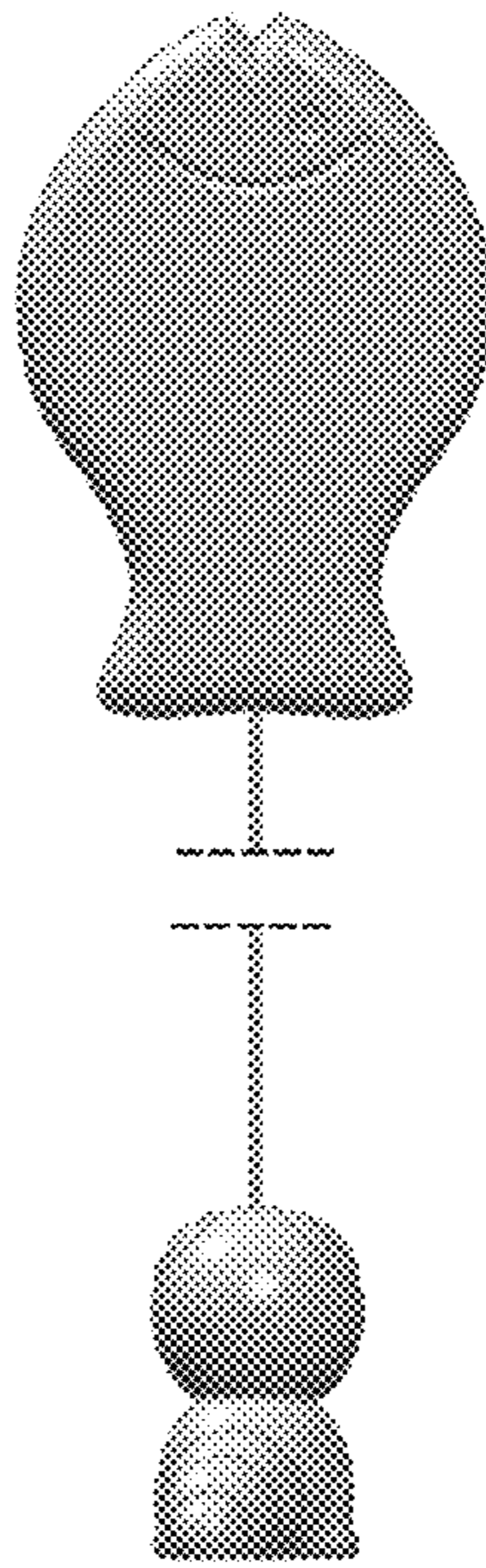
6,022,025 A \* 2/2000 Chuang ..... A63H 13/02  
 273/443  
 D424,473 S \* 5/2000 Boen ..... D11/158  
 6,074,212 A \* 6/2000 Cogliano ..... G09B 19/04  
 434/159  
 D439,153 S \* 3/2001 Davis ..... D9/606  
 D439,624 S \* 3/2001 Webb ..... D21/650  
 6,247,934 B1 \* 6/2001 Cogliano ..... G09B 19/04  
 434/159  
 D455,145 S \* 4/2002 Williams ..... D11/158  
 D456,389 S \* 4/2002 Denson ..... D11/121  
 6,409,511 B2 \* 6/2002 Cogliano ..... G09B 19/04  
 434/159  
 6,458,009 B1 \* 10/2002 Chuang ..... A63H 23/10  
 446/153  
 D470,434 S \* 2/2003 Schock ..... D11/157  
 D498,433 S \* 11/2004 Weiser ..... D11/158

D503,440 S \* 3/2005 Weiser ..... D11/158  
 D504,460 S \* 4/2005 Harrington ..... D17/20  
 D506,556 S \* 6/2005 Giusti ..... D25/112  
 D536,141 S \* 1/2007 Renforth ..... D30/160  
 D562,897 S \* 2/2008 Ballinger ..... D19/59  
 D565,393 S \* 4/2008 Shetler ..... D8/356  
 D568,949 S \* 5/2008 Nelson ..... D21/592  
 D570,242 S \* 6/2008 Howle, III ..... D11/50  
 D586,686 S \* 2/2009 Bell ..... D11/82  
 D605,546 S \* 12/2009 Castaline ..... D11/82  
 D608,510 S \* 1/2010 Rutherford ..... D21/576  
 D621,528 S \* 8/2010 Sefa ..... D25/113  
 D627,935 S \* 11/2010 Rutherford ..... D21/603  
 D636,133 S \* 4/2011 Rutherford ..... D30/160  
 D640,026 S \* 6/2011 Soegaard ..... D32/43  
 D654,826 S \* 2/2012 Klinker ..... D11/96  
 D670,772 S \* 11/2012 Lo ..... D21/599  
 9,259,658 B2 \* 2/2016 Hillis ..... G10H 1/26  
 2005/0059317 A1 \* 3/2005 McEachen ..... A63F 9/305  
 446/175

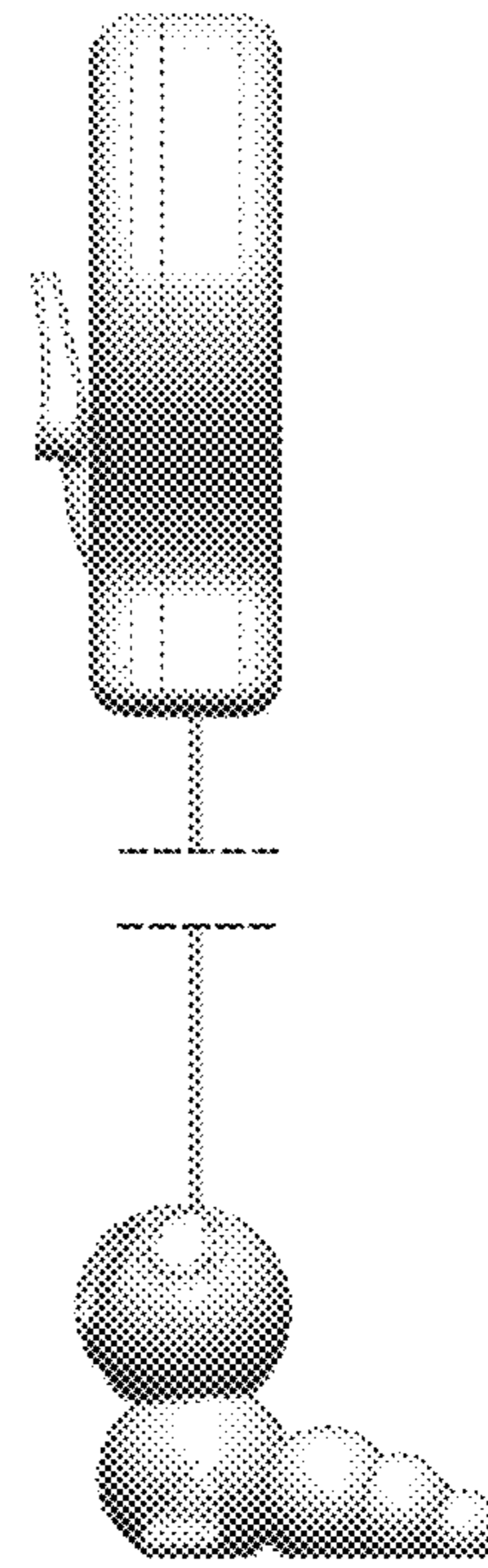
\* cited by examiner



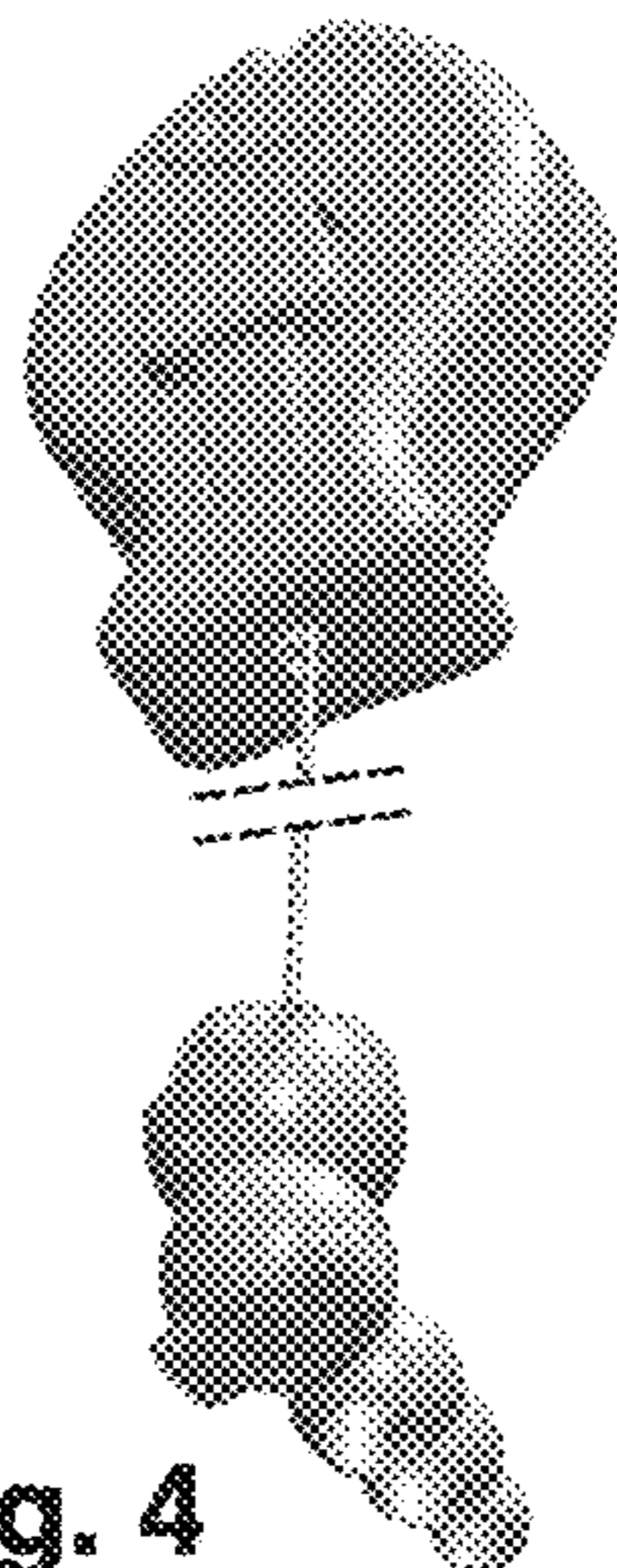
**Fig. 1**



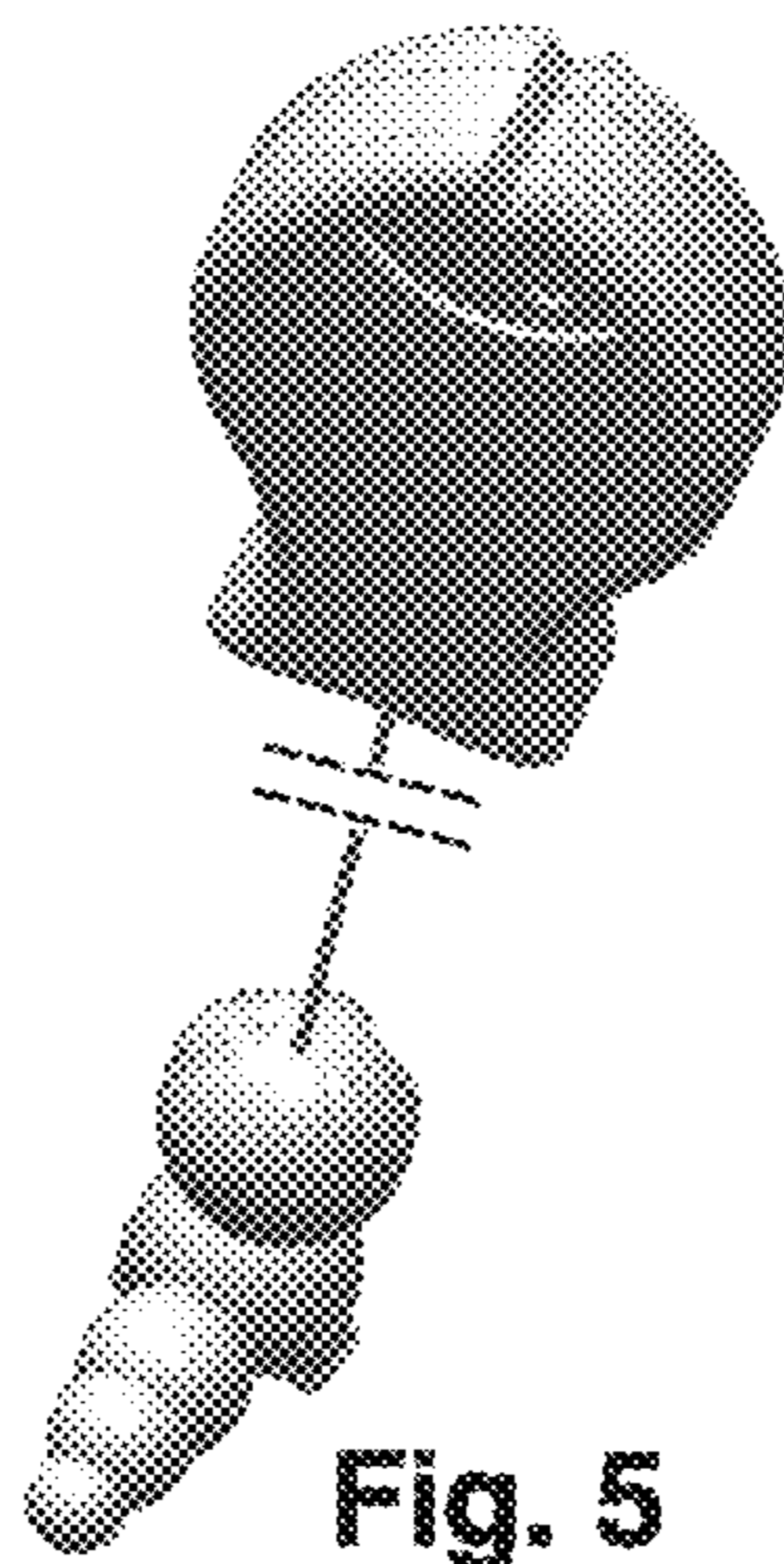
**Fig. 2**



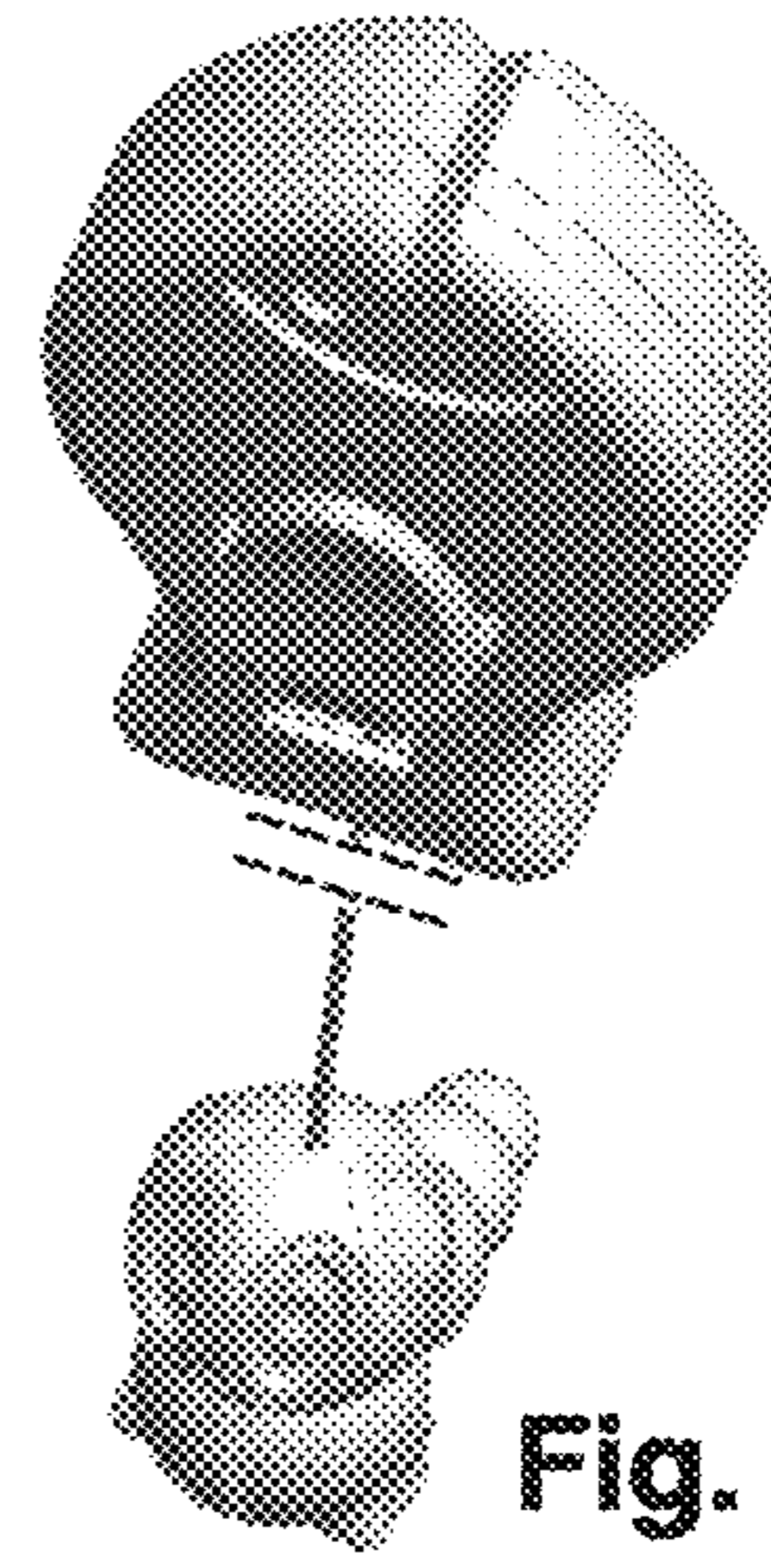
**Fig. 3**



**Fig. 4**



**Fig. 5**



**Fig. 6**