



US00D789441S

(12) **United States Design Patent** (10) **Patent No.:** **US D789,441 S**
Aquino et al. (45) **Date of Patent:** **** Jun. 13, 2017**

(54) **FASHION ACCESSORY**
(71) Applicants: **Gabriel A. Aquino**, Great Falls, VA
(US); **Kyle C. Stahley**, Downingtown,
PA (US)

(72) Inventors: **Gabriel A. Aquino**, Great Falls, VA
(US); **Kyle C. Stahley**, Downingtown,
PA (US)

(73) Assignee: **SHORELYS, LLC**, Great Falls, VA
(US)

(**) Term: **15 Years**

(21) Appl. No.: **29/531,508**

(22) Filed: **Jun. 26, 2015**

(51) **LOC (10) Cl.** **16-06**

(52) **U.S. Cl.**
USPC **D16/341**

(58) **Field of Classification Search**
USPC D16/101, 300-342, 900; D29/109-110;
D21/483, 659-661; D14/372; 351/41,
351/44, 45-48, 51-52, 62, 158, 92,
351/103-123, 140-153, 63, 59; 2/13, 15,
2/426-432, 447-449, 441, 434-437
CPC G02C 2200/08; G02C 1/06; G02C 5/14;
G02C 11/02; G02C 11/04; G02C 5/16;
G02C 2200/22; G02C 5/146; G02C
5/2254; G02C 5/008; G01C 5/16; A61M
2021/0044; A63B 33/002

See application file for complete search history.

(56) **References Cited**

U.S. PATENT DOCUMENTS

5,110,198 A 5/1992 Travis et al.
D345,567 S * 3/1994 Deckard D16/337
5,974,632 A 11/1999 Chang et al.
D428,622 S * 7/2000 de Baschmakoff D16/335

D516,605 S * 3/2006 Marc D16/334
D555,707 S * 11/2007 Hou D16/311
D596,662 S * 7/2009 Gonzalez D16/323

(Continued)

FOREIGN PATENT DOCUMENTS

CN 204143087 2/2015
CN 204143087 U 2/2015

(Continued)

Primary Examiner — Eric Goodman

Assistant Examiner — Sanjeev Paul

(74) *Attorney, Agent, or Firm* — Gearhart Law LLC

(57) **CLAIM**

The ornamental design for a fashion accessory, as shown and described.

DESCRIPTION

FIG. 1 is a perspective view of the fashion accessory.
FIG. 2 is a front view of the present invention as shown in FIG. 1.

FIG. 3 is a back view thereof.

FIG. 4 is a right side view of FIG. 1.

FIG. 5 is a left side view of FIG. 1.

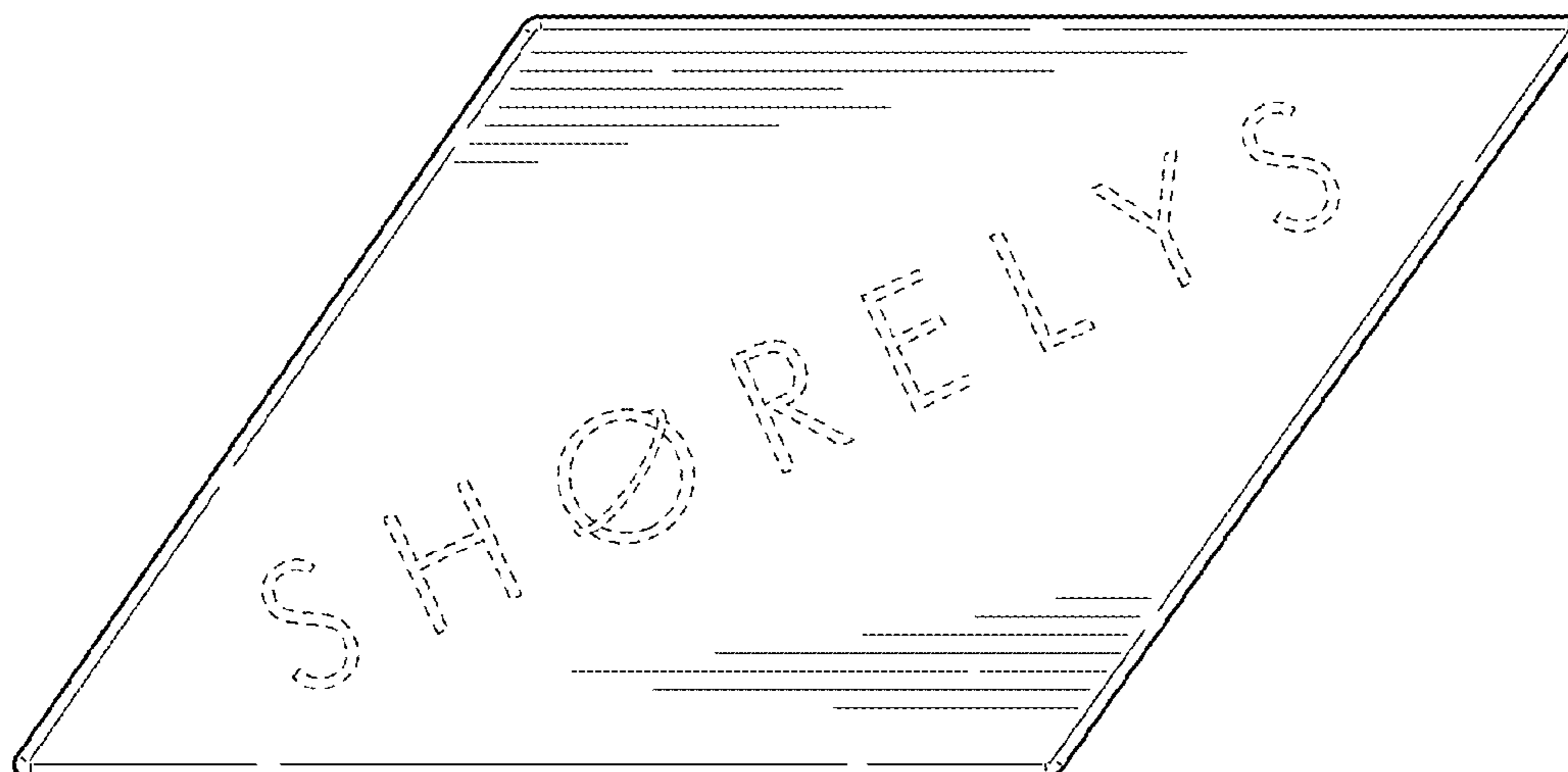
FIG. 6 is a top view of FIG. 1.

FIG. 7 is a bottom view thereof.

FIG. 8 is a perspective side view of the fashion accessory, as shown in FIG. 1, in an example of an intended use; and, FIG. 9 is a second perspective side view of the fashion accessory, as shown in FIG. 1, in an example of an intended use.

The dotted lines present in the drawings outside the claimed boundary in FIGS. 8 and 9 form the environment and are thus not part of the claimed design. The dotted lines within the claimed boundary in FIGS. 2 and 9 illustrate an exemplary marking on the fashion accessory and form no part of the claimed design. The dotted lines further present in FIGS. 1, 4, and 5 form no part of the claimed design.

1 Claim, 5 Drawing Sheets



(56)

References Cited

U.S. PATENT DOCUMENTS

7,677,721 B2 3/2010 Siu
D735,797 S * 8/2015 Aquino D16/309
D735,800 S * 8/2015 Earley D16/335
D741,399 S * 10/2015 Ho D16/335
D757,157 S * 5/2016 Huang D16/330
D763,951 S * 8/2016 Chae D16/335
D765,765 S * 9/2016 Clegg D16/323
D771,735 S * 11/2016 Lee D16/309
2012/0249946 A1 10/2012 Burnstein
2015/0219932 A1 8/2015 Chen
2015/0346518 A1 12/2015 Levy et al.
2016/0334639 A1* 11/2016 McMillian G02C 5/146

FOREIGN PATENT DOCUMENTS

EP 2851736 A1 3/2015
GB 781093 A 8/1957
WO WO8910576 A1 11/1987
WO WO2015029215 A1 3/2015

* cited by examiner

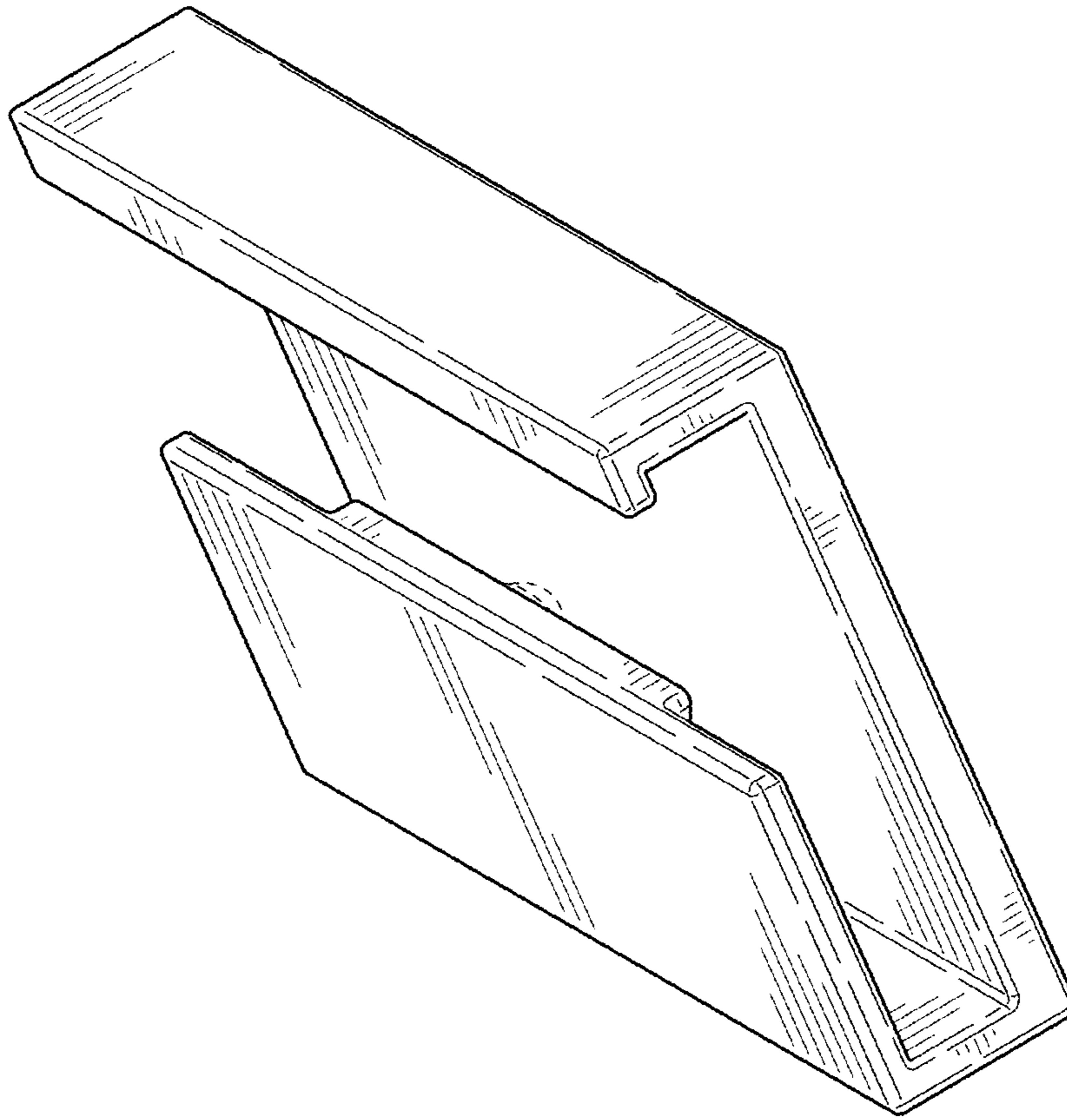


FIG. 1

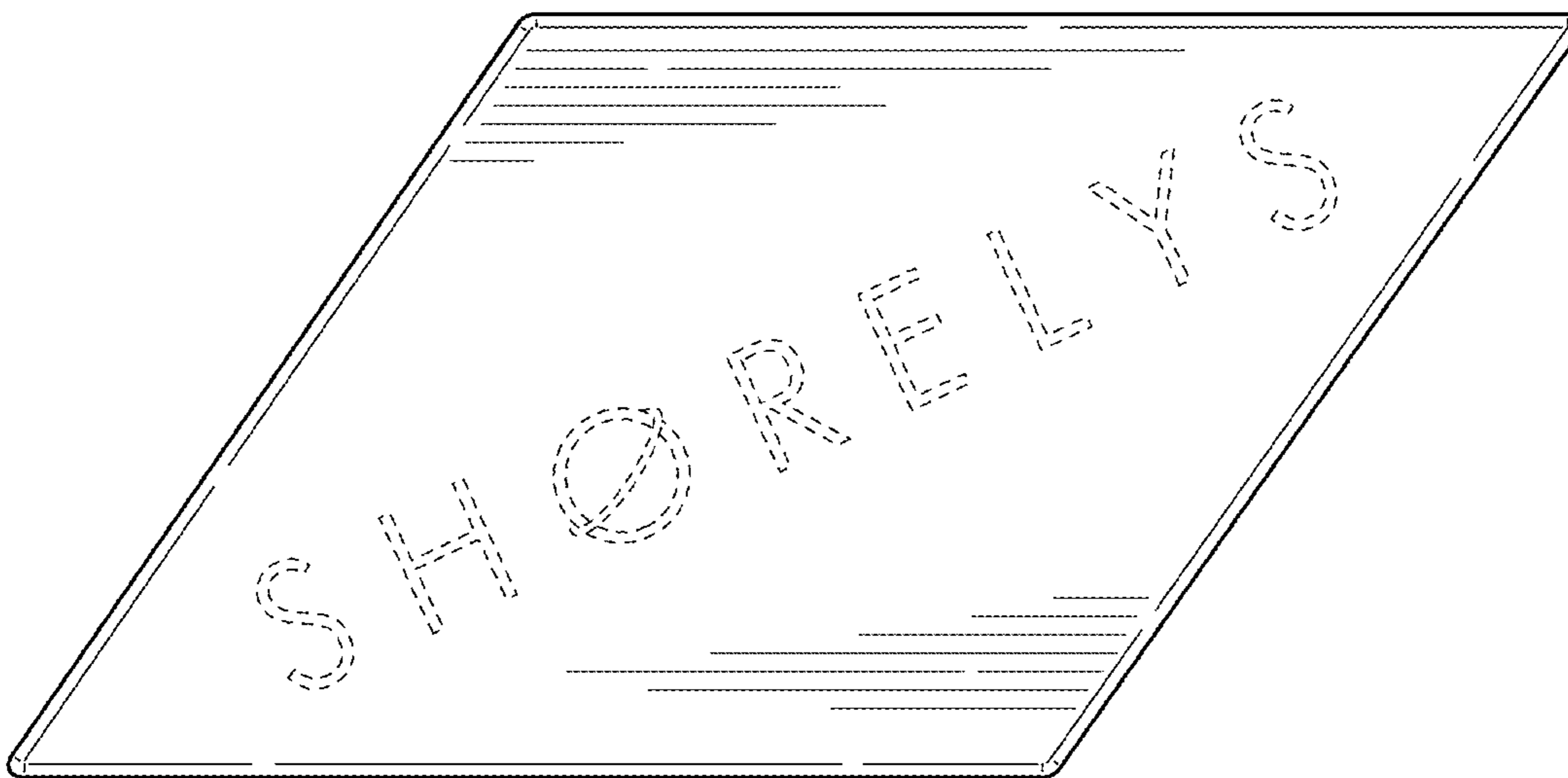


FIG. 2

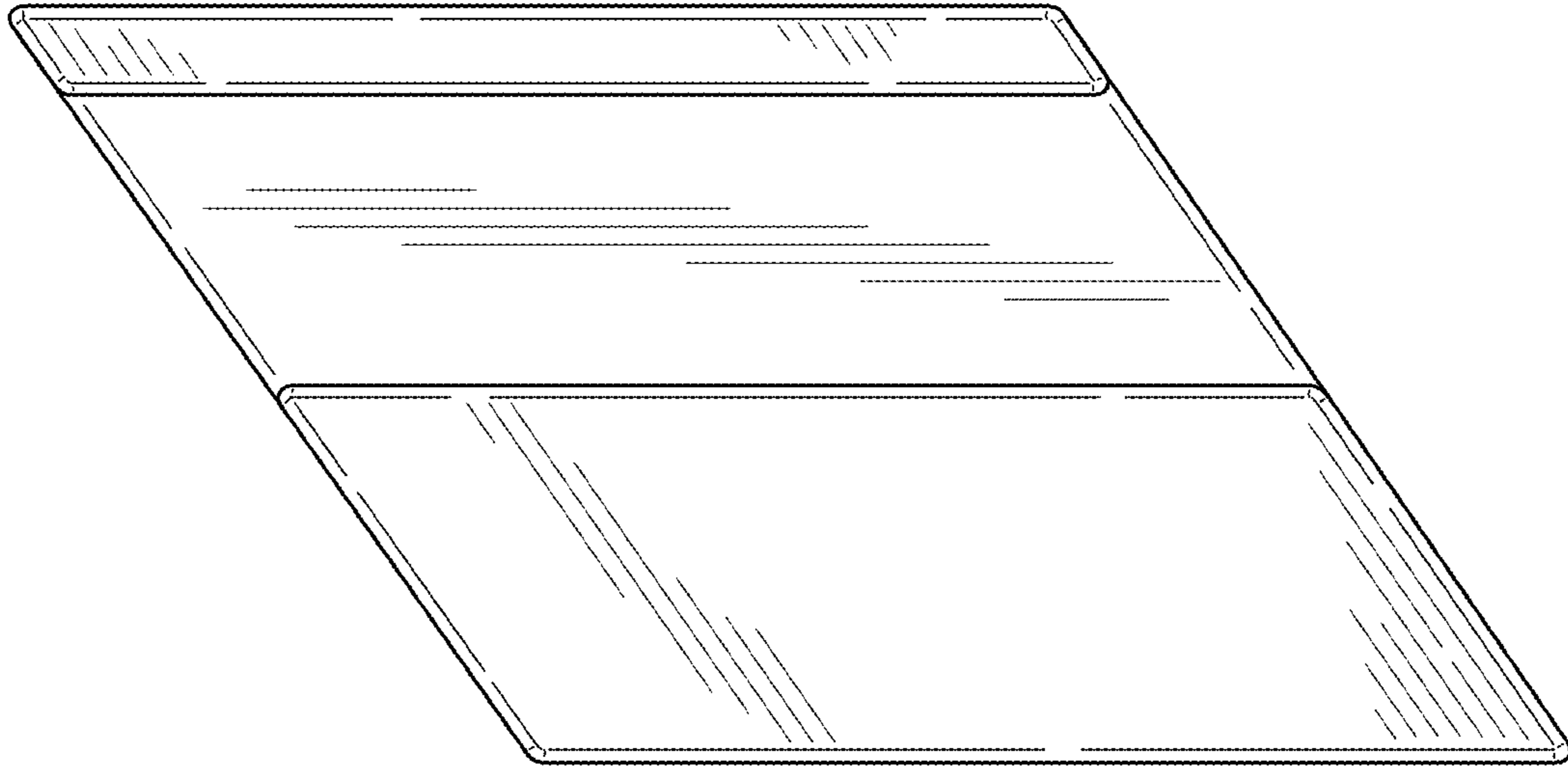


FIG. 3

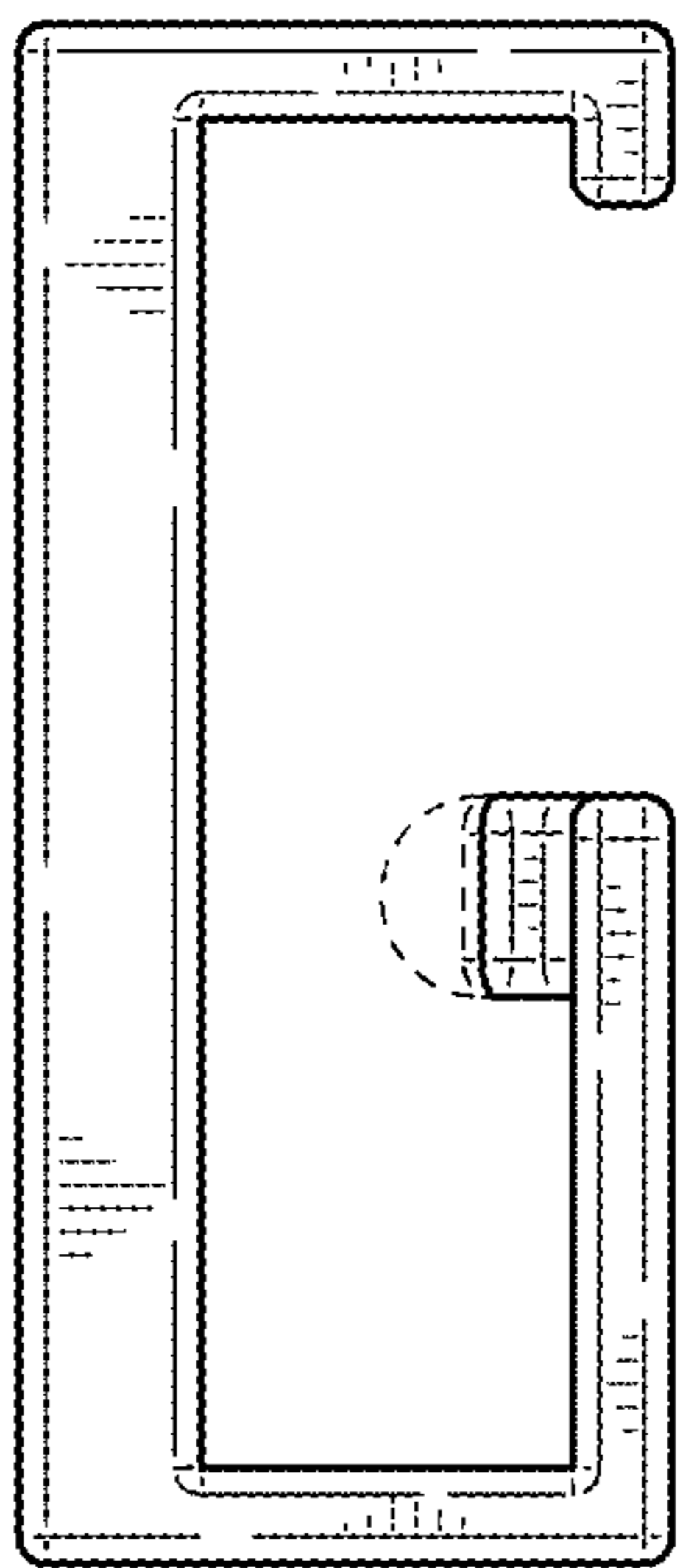


FIG. 4

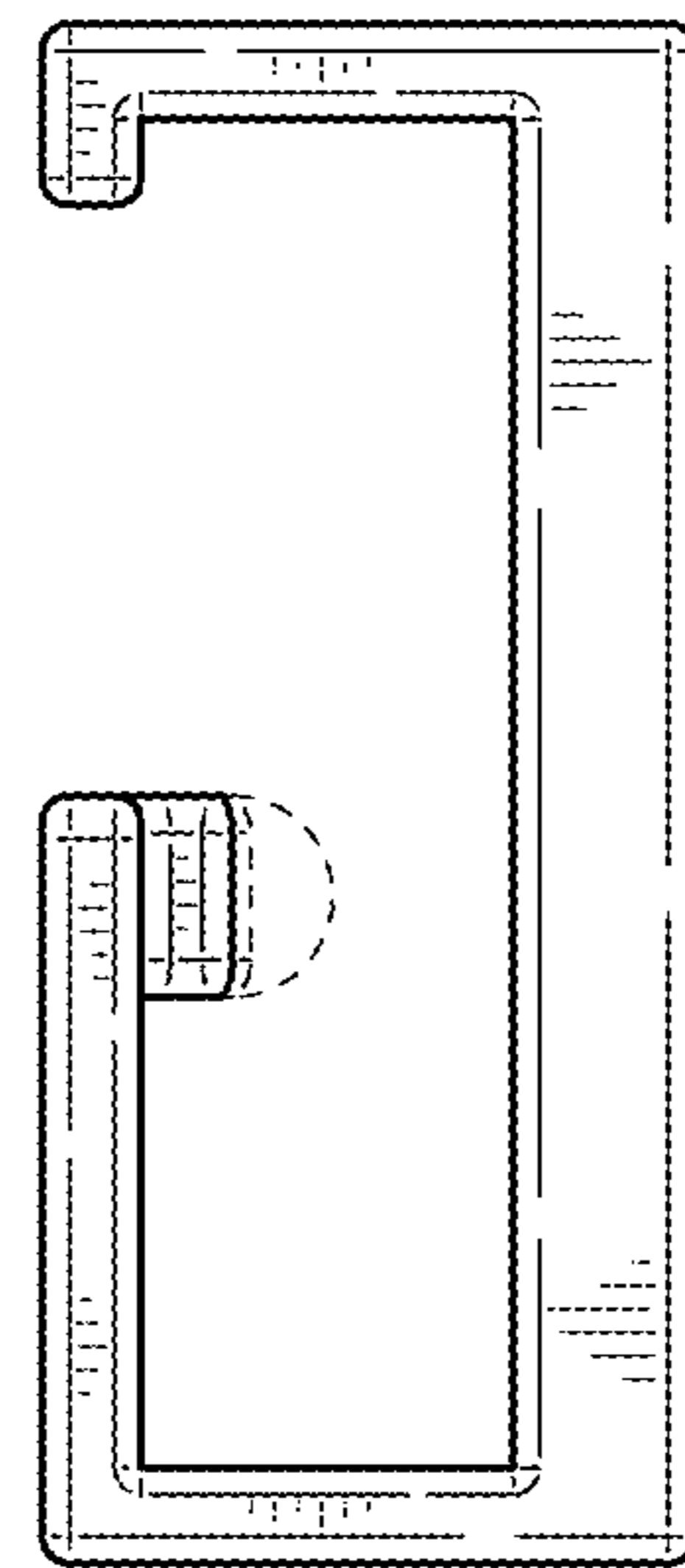


FIG. 5

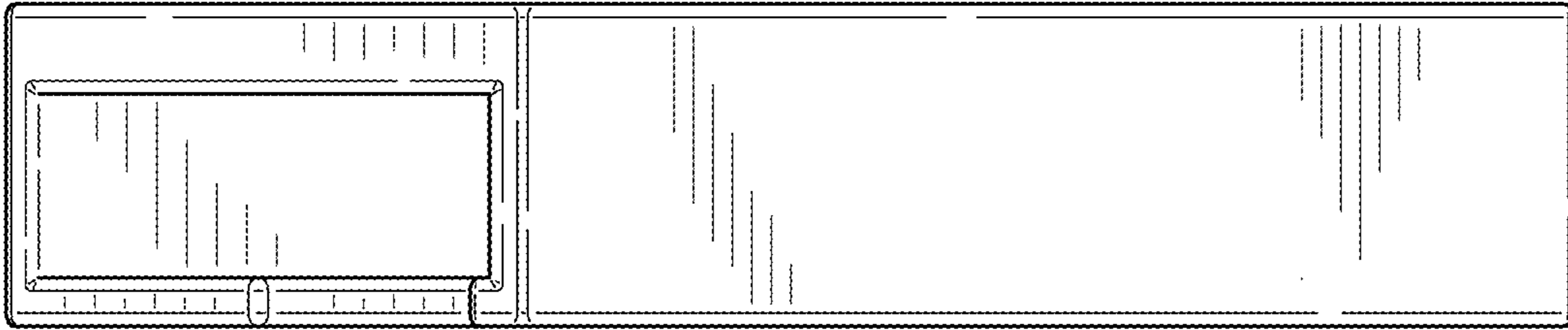


FIG. 6

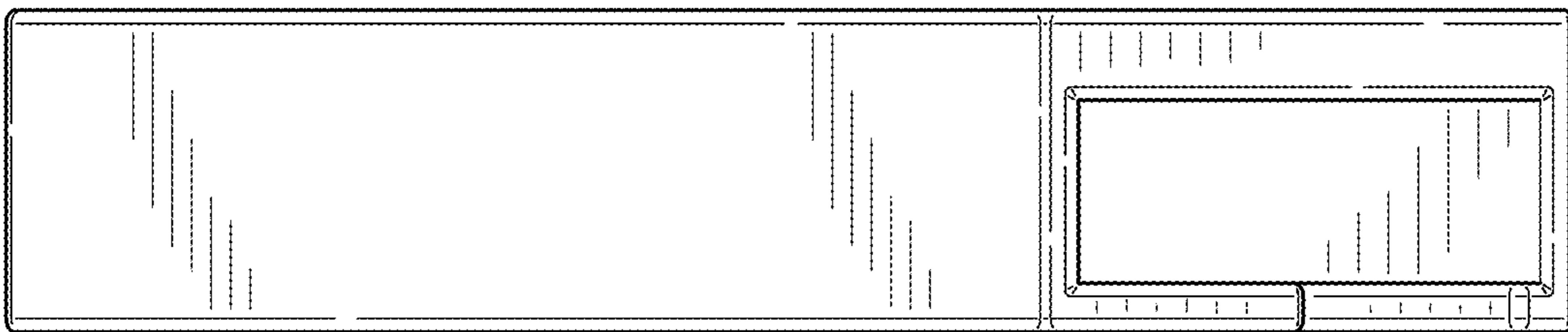


FIG. 7

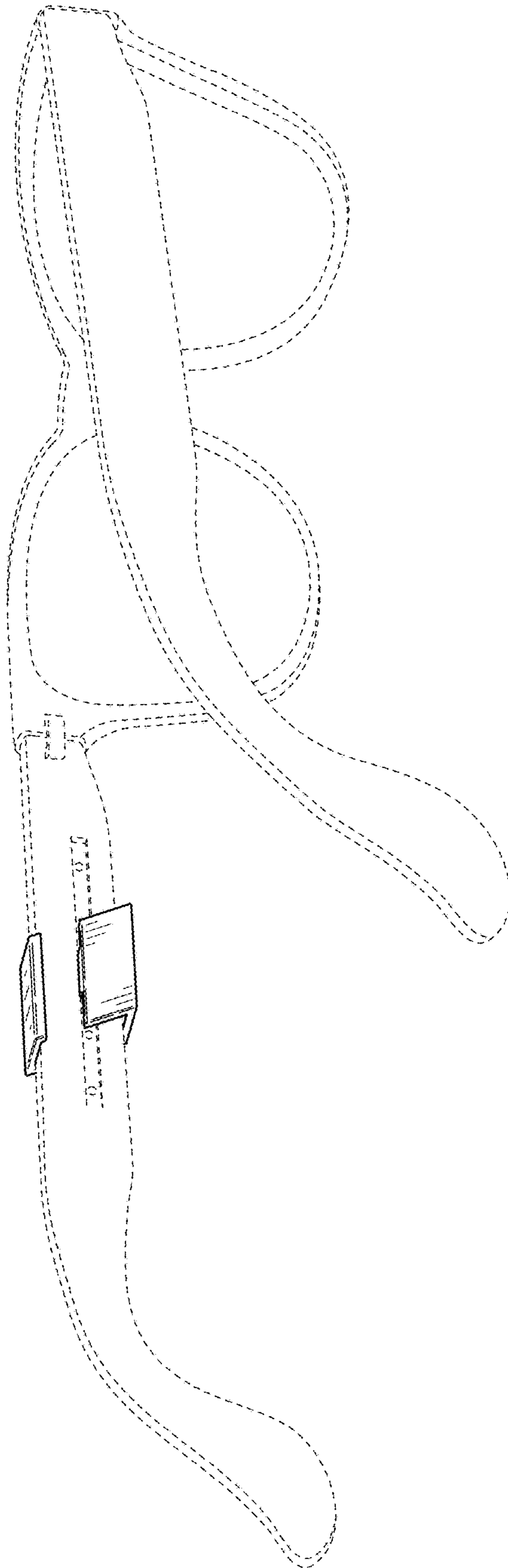


FIG. 8

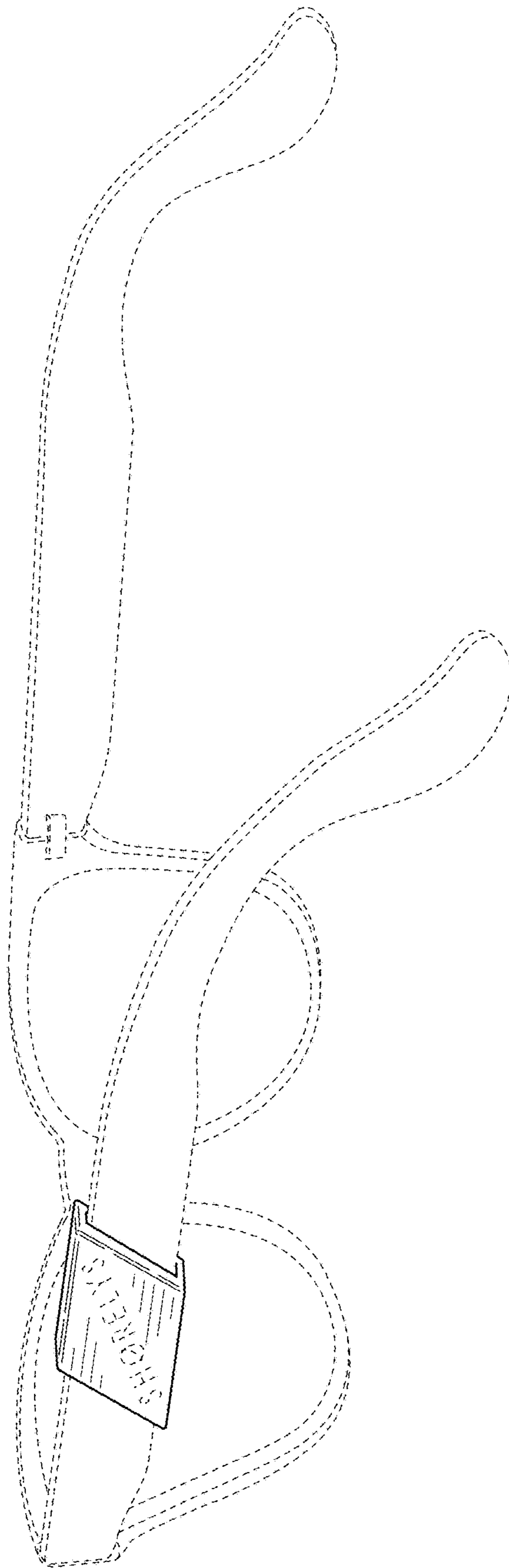


FIG. 9