



US00D789439S

(12) **United States Design Patent**
Inoue

(10) **Patent No.:** **US D789,439 S**
(45) **Date of Patent:** **** Jun. 13, 2017**

(54) **SPECIMEN PHOTOGRAPHY APPARATUS**

(71) Applicant: **Nikon Corporation**, Tokyo (JP)

(72) Inventor: **Shiki Inoue**, Tokyo (JP)

(73) Assignee: **Nikon Corporation**, Tokyo (JP)

(**) Term: **15 Years**

(21) Appl. No.: **29/537,570**

(22) Filed: **Aug. 27, 2015**

(30) **Foreign Application Priority Data**

Mar. 2, 2015 (JP) 2015-004440

(51) **LOC (10) Cl.** **16-05**

(52) **U.S. Cl.**
USPC **D16/237**

(58) **Field of Classification Search**
USPC D16/134, 136, 200, 204, 208, 213, 219,
D16/235, 237-250; D9/414-434, 456,
D9/457, 542, 563, 600; D14/203, 203.4,
D14/209, 217, 218, 221, 224, 250-253,
D14/345, 440, 449; D3/203.1, 273;
D8/363, 373, 394
CPC G03B 21/20-21/2066; G03B 17/02; G03B
17/04; G03B 17/14; G03B 17/56; G03B
15/041-15/0436; F16M 11/32
See application file for complete search history.

(56) **References Cited**

U.S. PATENT DOCUMENTS

D126,742 S * 4/1941 Clement D16/248
D202,133 S * 8/1965 Marchant D9/424
D580,613 S * 11/2008 Yang D34/7
D592,515 S * 5/2009 Francis D9/529
D592,966 S * 5/2009 Nissen D9/560

D639,669 S * 6/2011 Adler D9/435
D640,926 S * 7/2011 Turchi D9/529
D647,943 S * 11/2011 Jannard D13/103
D675,803 S * 2/2013 Yang D34/7
D684,824 S * 6/2013 Sweet D7/615
D706,637 S * 6/2014 James D9/449
D761,551 S * 7/2016 Stueckemann D3/203.1
D763,231 S * 8/2016 Sonoda D14/221
D770,296 S * 11/2016 Rothfos D9/432

FOREIGN PATENT DOCUMENTS

JP 1505749 S 8/2014

* cited by examiner

Primary Examiner — Vy Koenig

Assistant Examiner — Omeed Agilee

(74) *Attorney, Agent, or Firm* — Wolf, Greenfield & Sacks, P.C.

(57) **CLAIM**

The ornamental design for a specimen photography apparatus, as shown and described.

DESCRIPTION

FIG. 1 is a front, top, and right side perspective view of a specimen photography apparatus showing my new design; FIG. 2 is a front view thereof; FIG. 3 is a rear view thereof; FIG. 4 is a top plan view thereof; FIG. 5 is a bottom plan view thereof; FIG. 6 is a right side view thereof; and, FIG. 7 is a left side view thereof. The features shown in broken lines in the drawings depict environmental subject matter only and form no part of the claimed design. The dash-dotted lines denote the boundary of the claim and form no part of the claimed design.

1 Claim, 7 Drawing Sheets

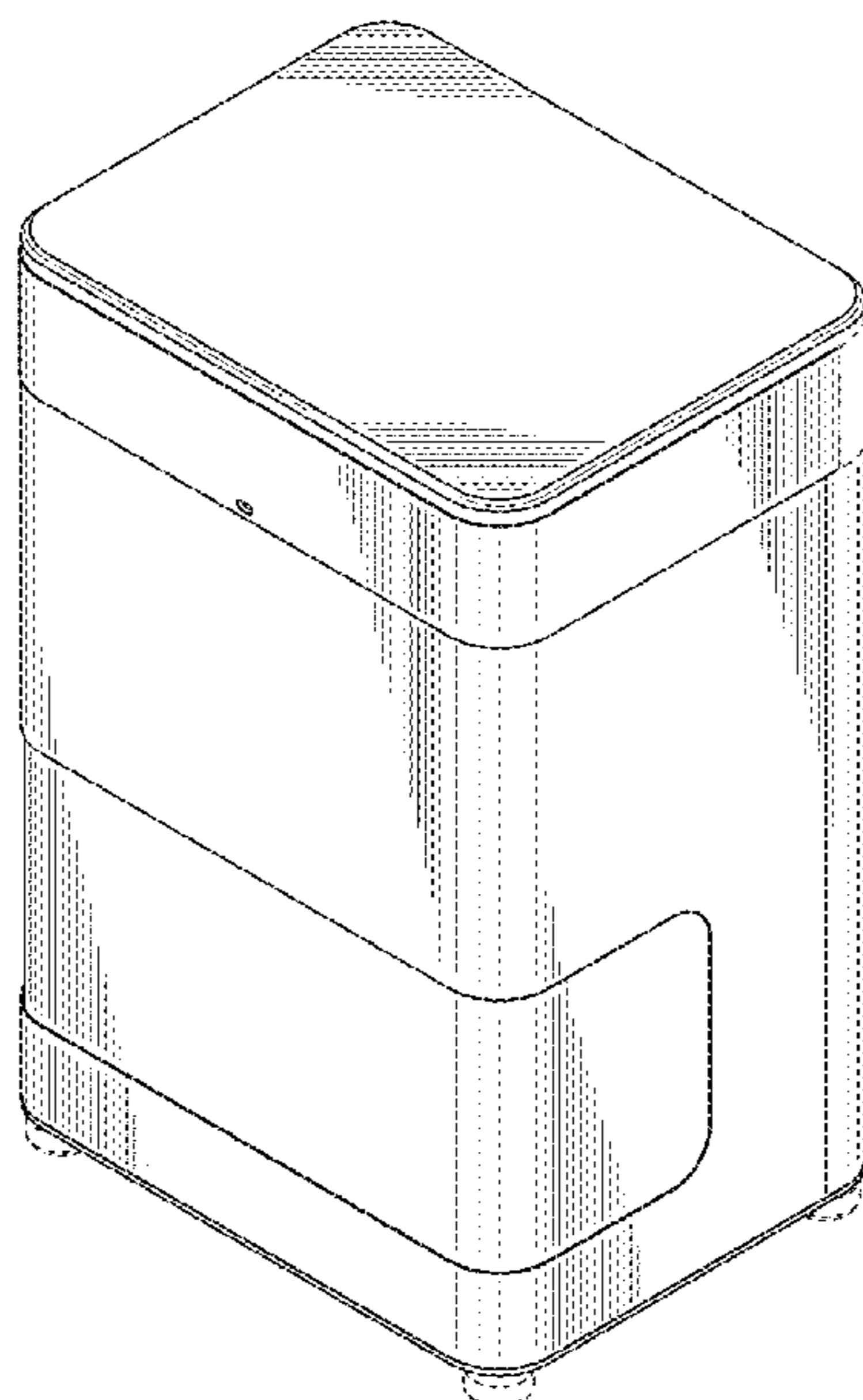


FIG. 1

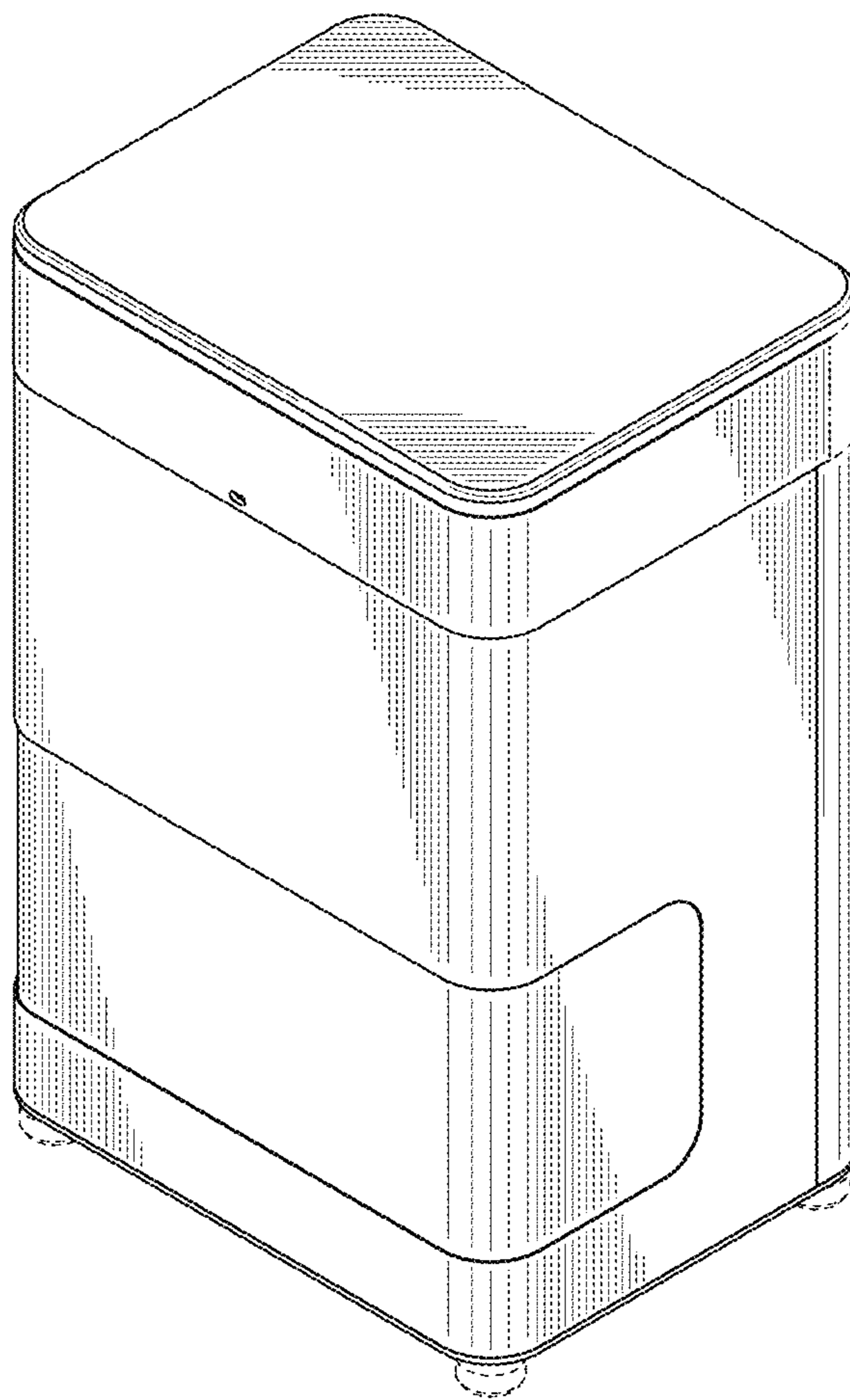


FIG. 2

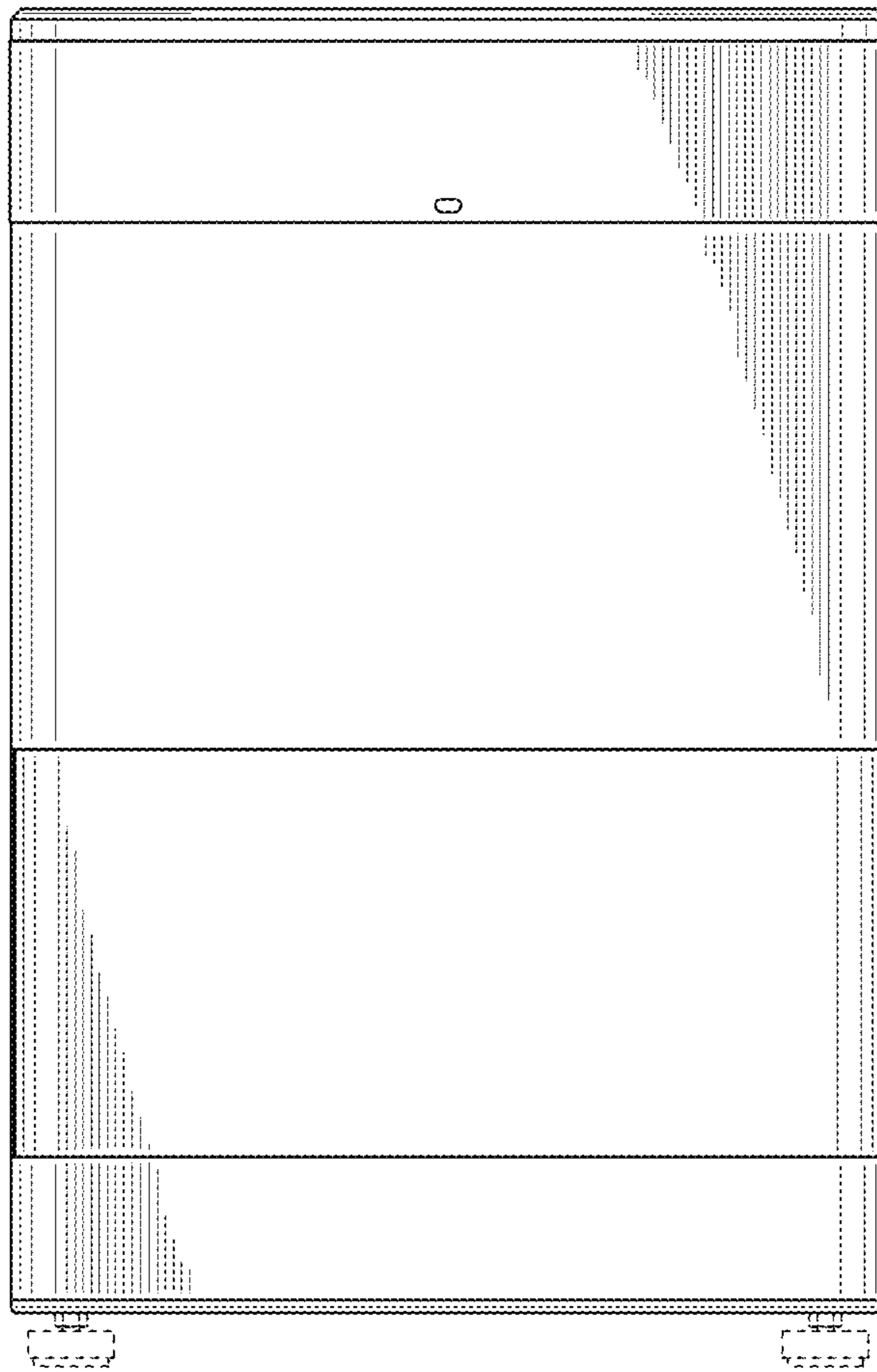


FIG. 3

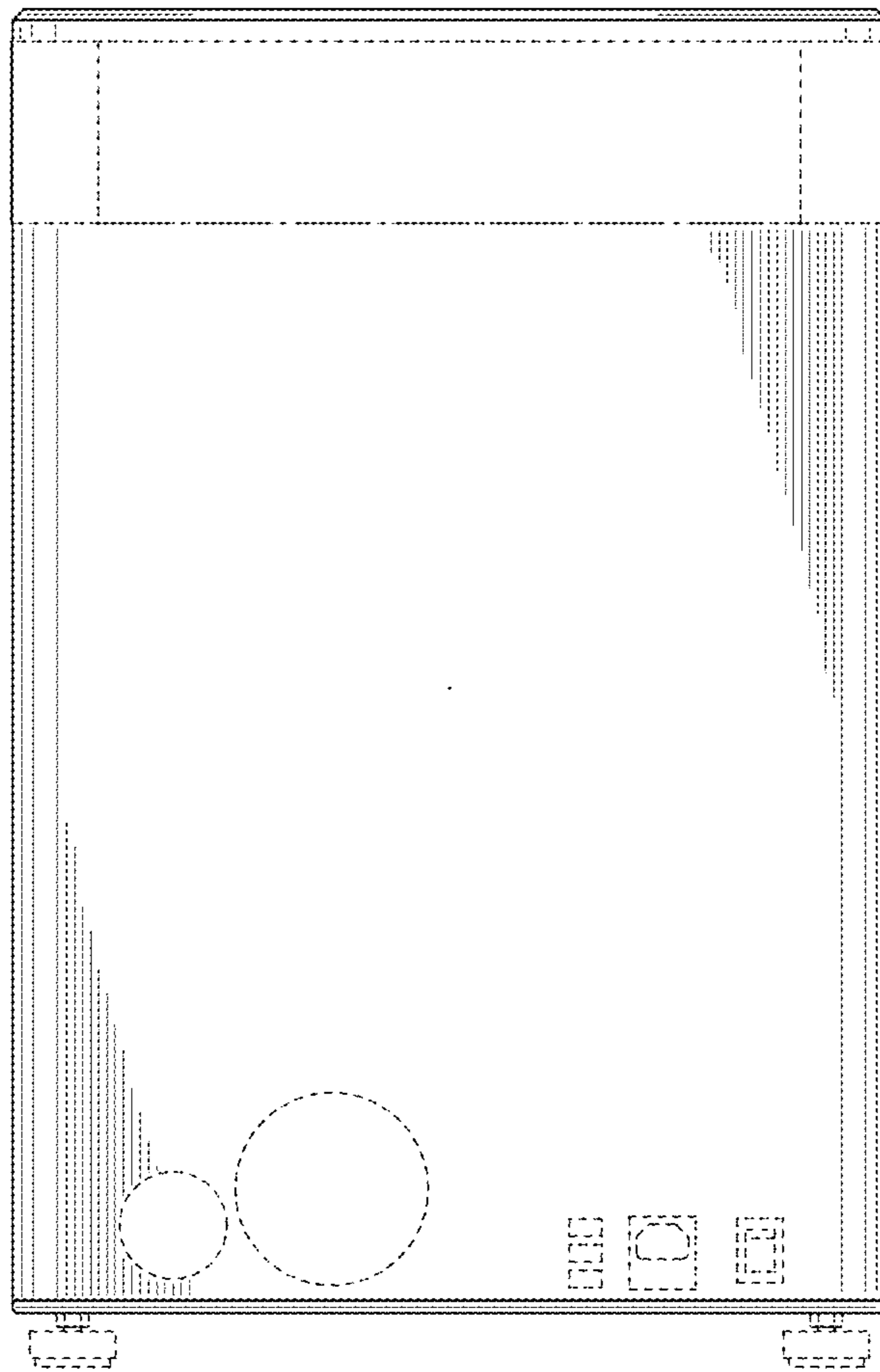


FIG. 4

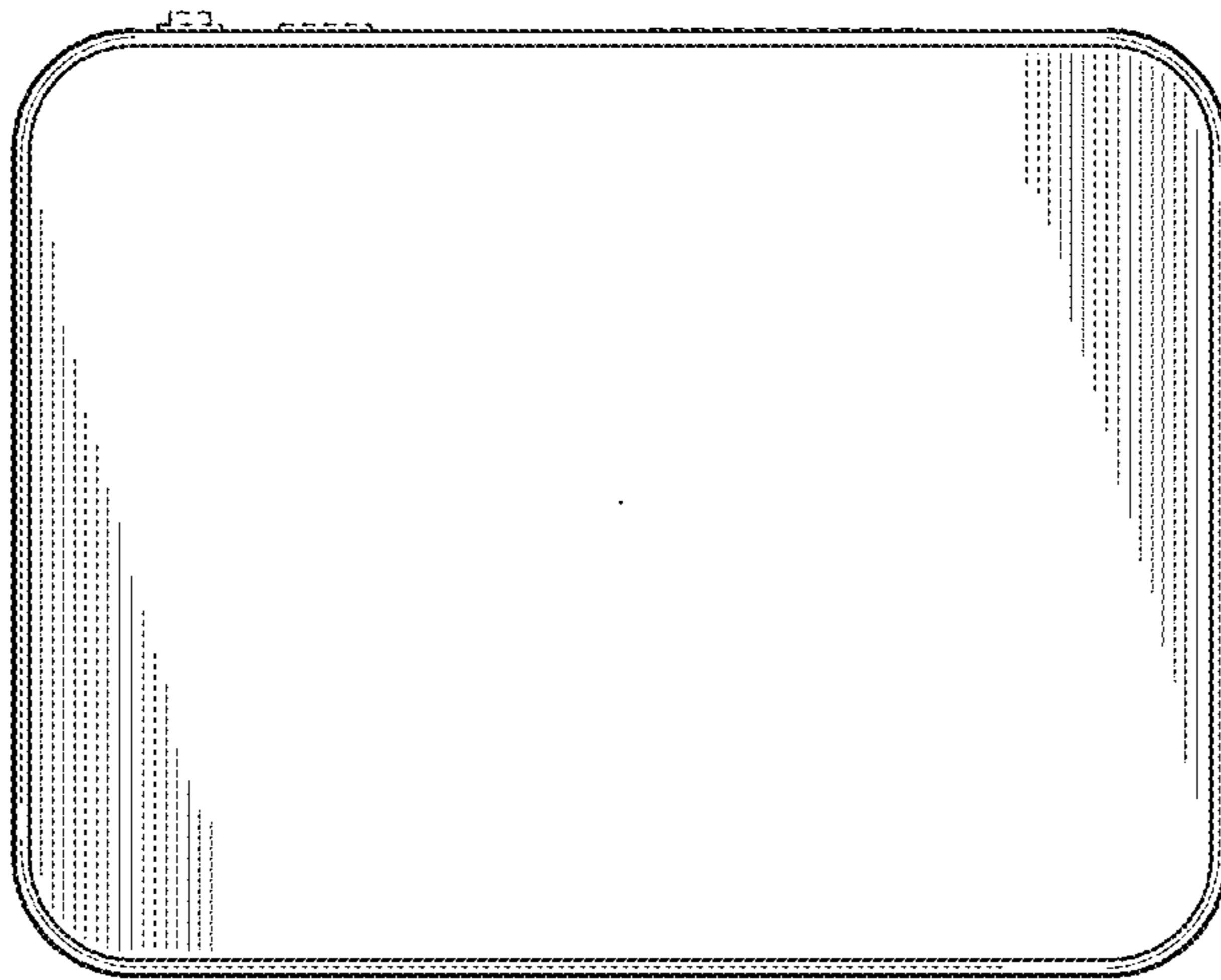


FIG. 5

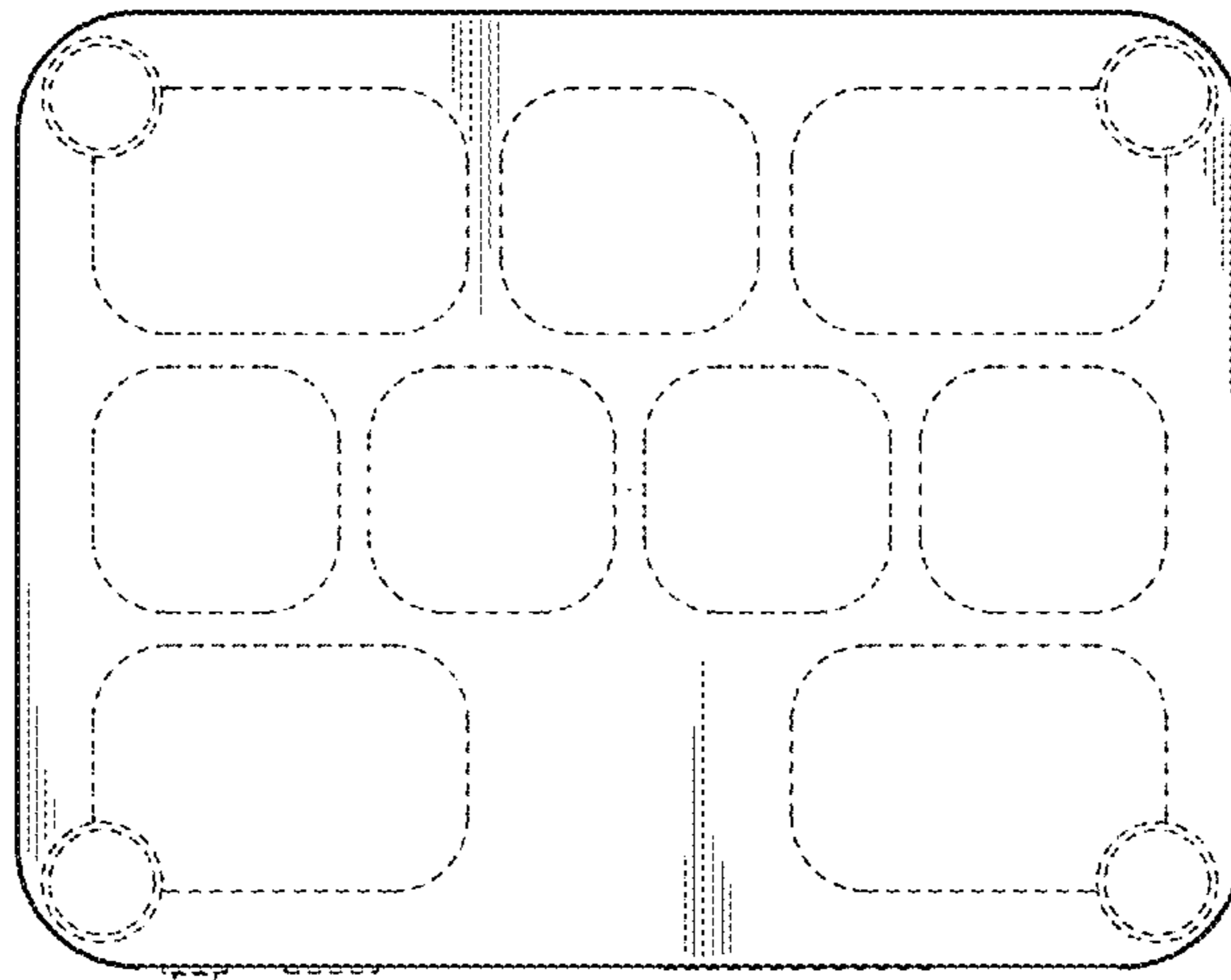


FIG. 6

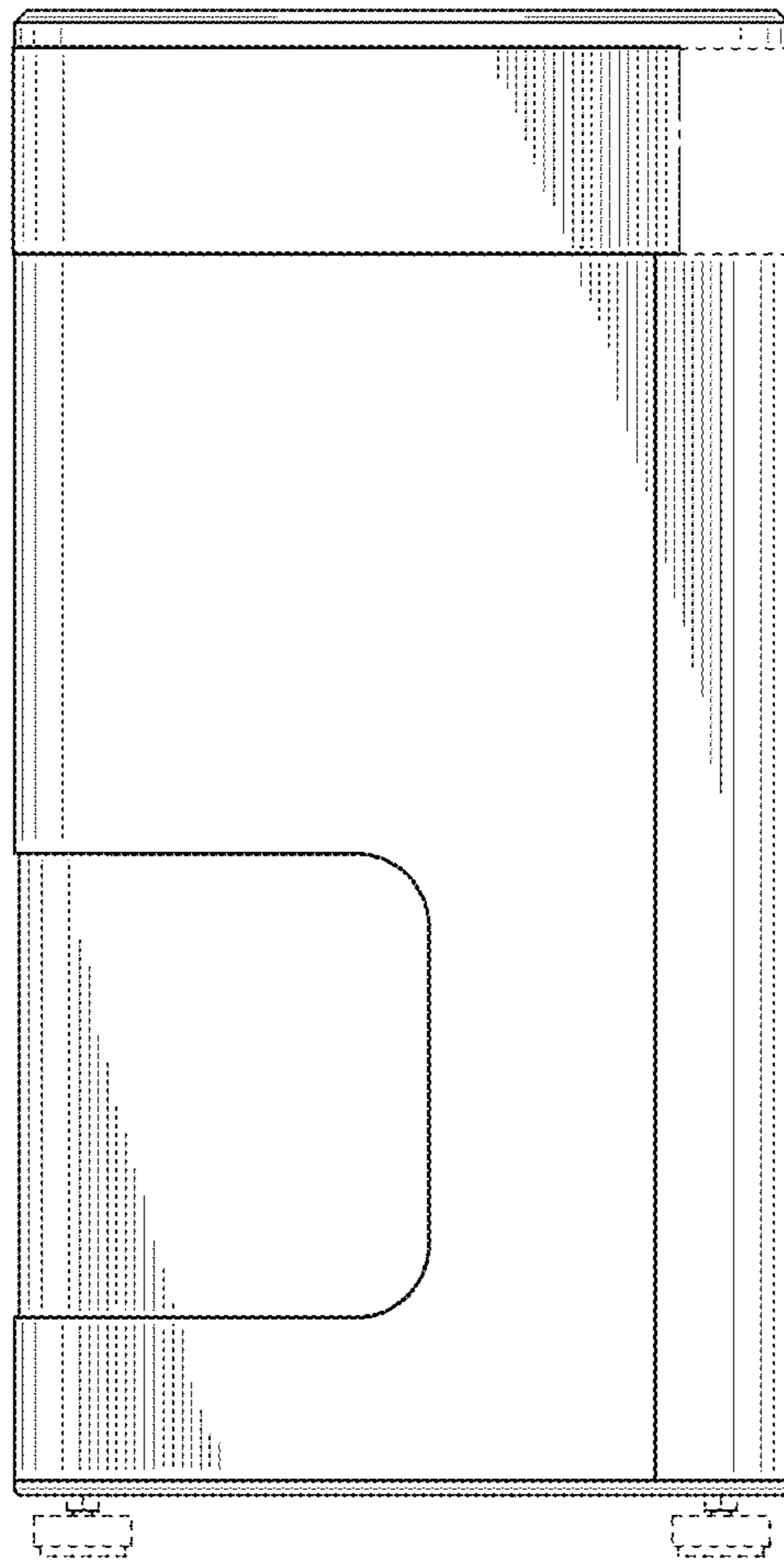


FIG. 7

