



US00D789438S

(12) **United States Design Patent**  
**Kim et al.**

(10) **Patent No.:** **US D789,438 S**

(45) **Date of Patent:** **\*\* Jun. 13, 2017**

- (54) **REMOTE CONTROLLER**
- (71) Applicant: **SZ DJI Osmo Technology Co., Ltd.**,  
Shenzhen (CN)
- (72) Inventors: **Min Kim**, Shenzhen (CN); **Hai-Bin Zheng**, Shenzhen (CN)
- (73) Assignee: **SZ DJI Osmo Technology Co., Ltd.**,  
Shenzhen (CN)
- (\*\*) Term: **14 Years**
- (21) Appl. No.: **29/525,477**
- (22) Filed: **Apr. 30, 2015**
- (51) **LOC (10) Cl.** ..... **16-05**
- (52) **U.S. Cl.**  
USPC ..... **D16/237**; D14/218
- (58) **Field of Classification Search**  
USPC ..... D16/206, 219, 235, 237–245, 250;  
D14/167, 203.1, 203.3, 203.8, 206, 218,  
D14/224–229, 251–253, 511  
CPC ..... G03B 17/56; G03B 17/561–17/568; G02B  
7/00–7/002; H04N 5/2253–5/2254; F16M  
11/04–11/12; H04R 2410/00  
See application file for complete search history.

- D648,718 S \* 11/2011 Andre ..... D14/250
- D655,720 S \* 3/2012 Andre ..... D14/203.3
- D689,538 S \* 9/2013 Sato ..... D16/239
- D704,762 S \* 5/2014 Boyle ..... D16/242
- D736,188 S \* 8/2015 Cavero ..... D14/225
- D749,665 S \* 2/2016 Jannard ..... D16/237
- D762,872 S \* 8/2016 Chen ..... D24/215
- 2013/0038728 A1 \* 2/2013 Kim ..... H04N 5/2256  
348/143

\* cited by examiner

*Primary Examiner* — Vy Koenig

(74) *Attorney, Agent, or Firm* — Sterne, Kessler,  
Goldstein & Fox P.L.L.C.

(57) **CLAIM**

The ornamental design for a remote controller, as shown and described.

**DESCRIPTION**

FIG. 1 is a perspective view of a remote controller showing our design.

FIG. 2 is a front elevational view of the remote controller of FIG. 1.

FIG. 3 is a rear elevational view of the remote controller of FIG. 1.

FIG. 4 is a left-side elevational view of the remote controller of FIG. 1.

FIG. 5 is a right-side elevational view of the remote controller of FIG. 1.

FIG. 6 is a top plan view of the remote controller of FIG. 1; and,

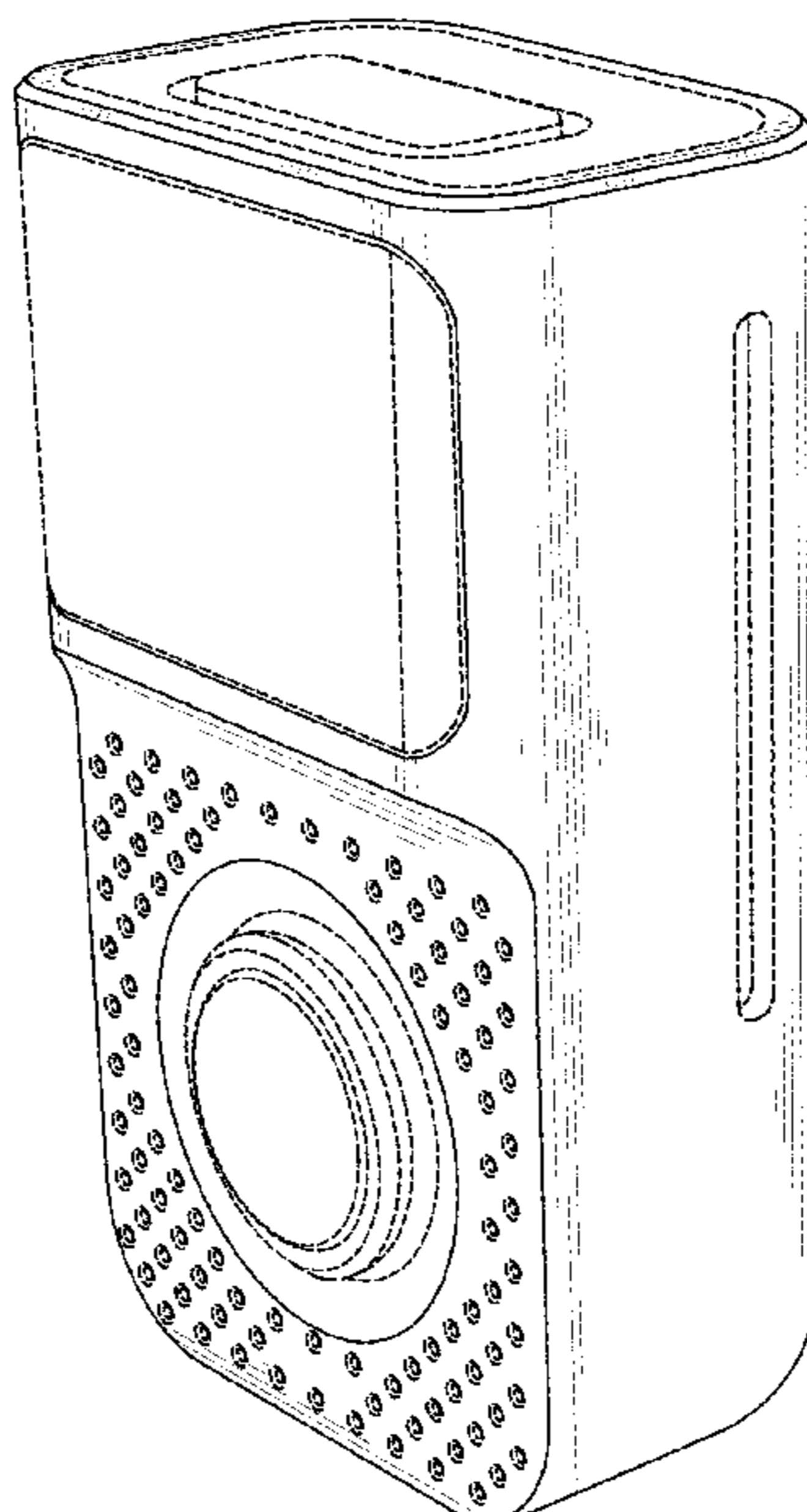
FIG. 7 is a bottom plan view of the remote controller of FIG. 1.

The broken lines shown are included for the purpose of illustrating environmental structure that forms no part of the claimed design.

**1 Claim, 7 Drawing Sheets**

(56) **References Cited**  
U.S. PATENT DOCUMENTS

- D265,831 S \* 8/1982 Schultes ..... D16/239
- D469,109 S \* 1/2003 Andre ..... D14/203.7
- D494,188 S \* 8/2004 Huang ..... D14/203.3
- D527,015 S \* 8/2006 Yang ..... D14/203.7
- D530,079 S \* 10/2006 Thomas ..... D14/203.3
- D535,637 S \* 1/2007 Park ..... D14/138 AC
- D539,530 S \* 4/2007 Sanderson ..... D3/218
- D548,195 S \* 8/2007 Poulet ..... D13/168
- D607,872 S \* 1/2010 Lee ..... D14/203.3



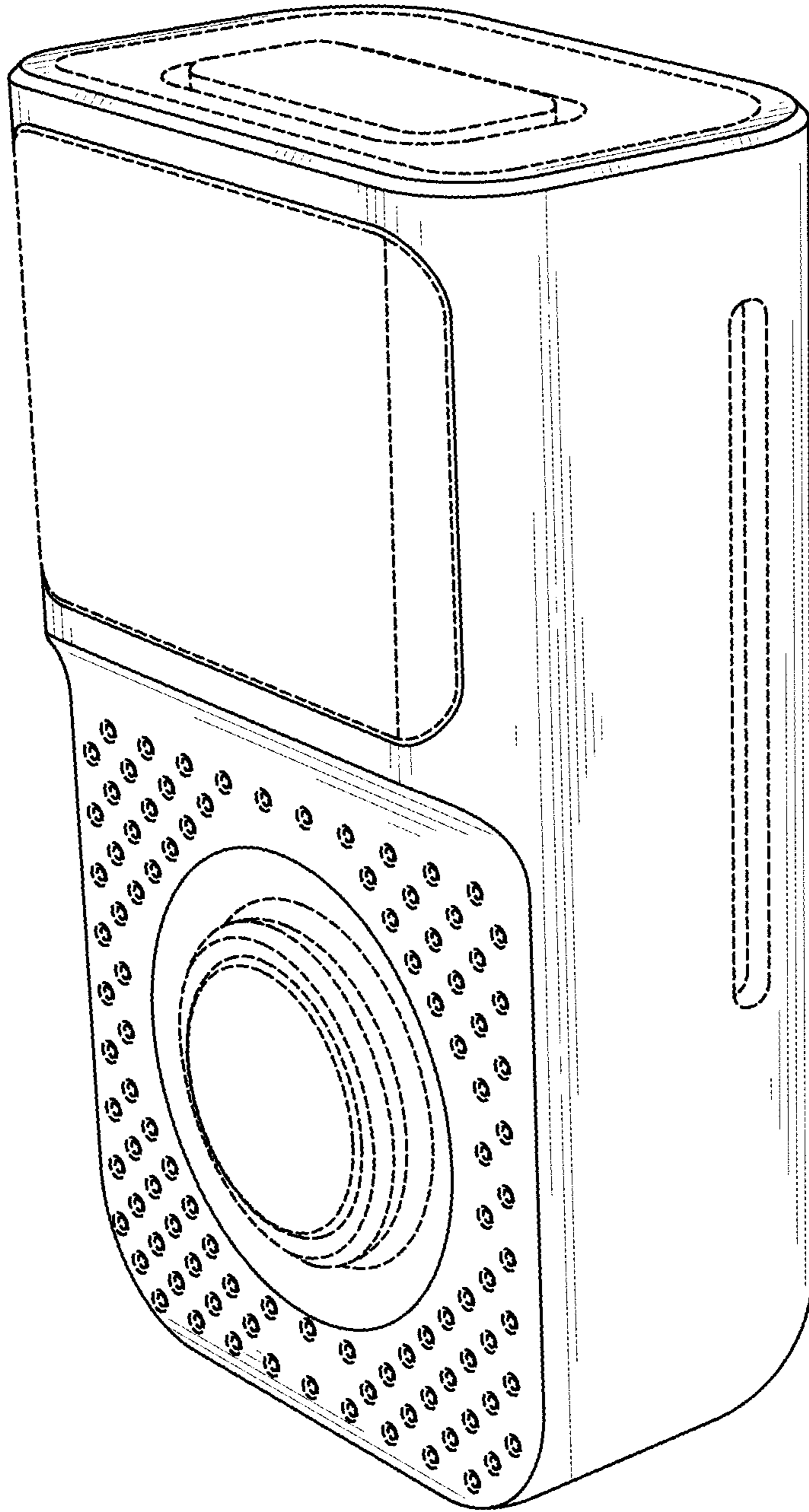


FIG. 1

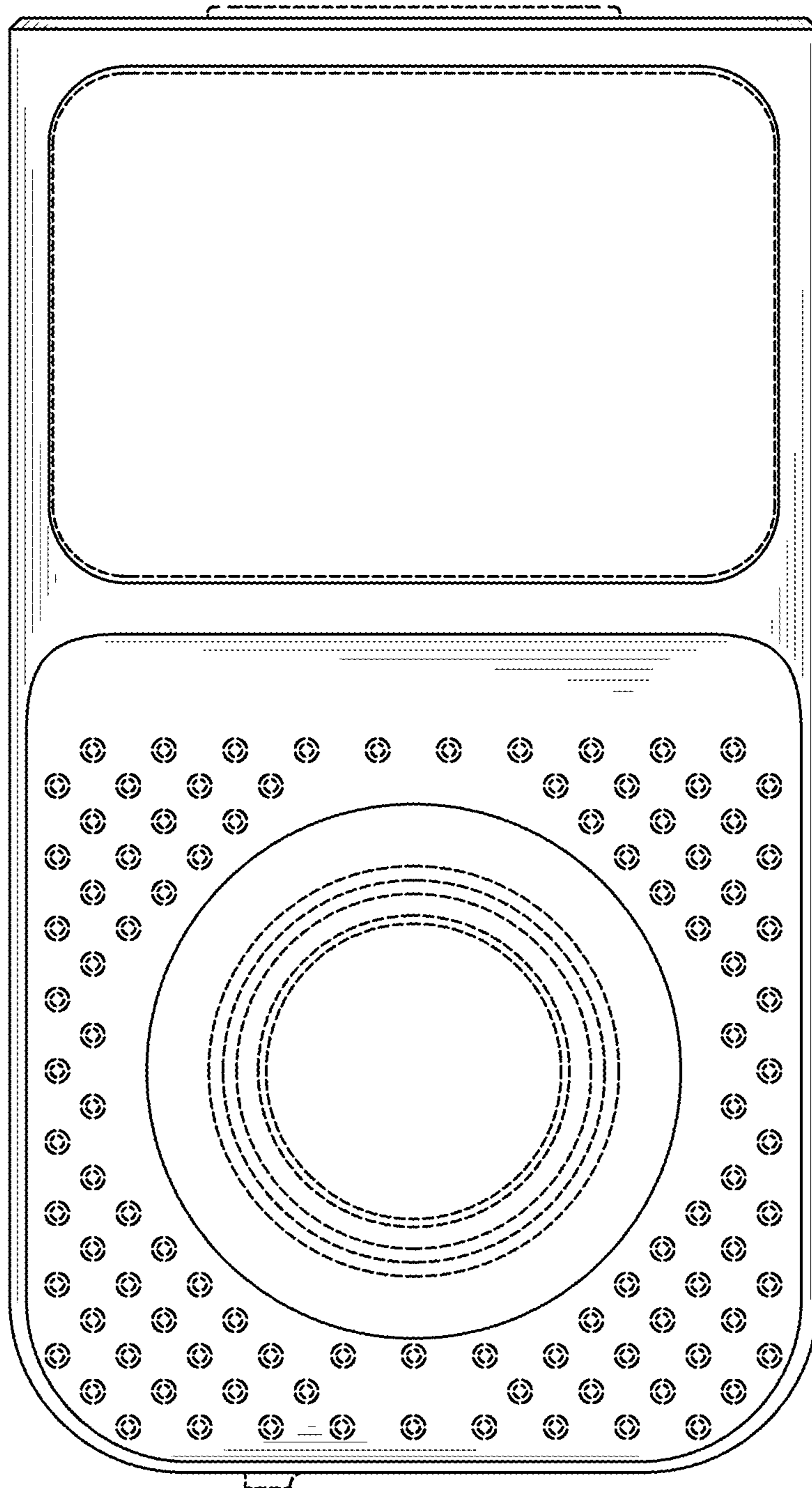


FIG. 2

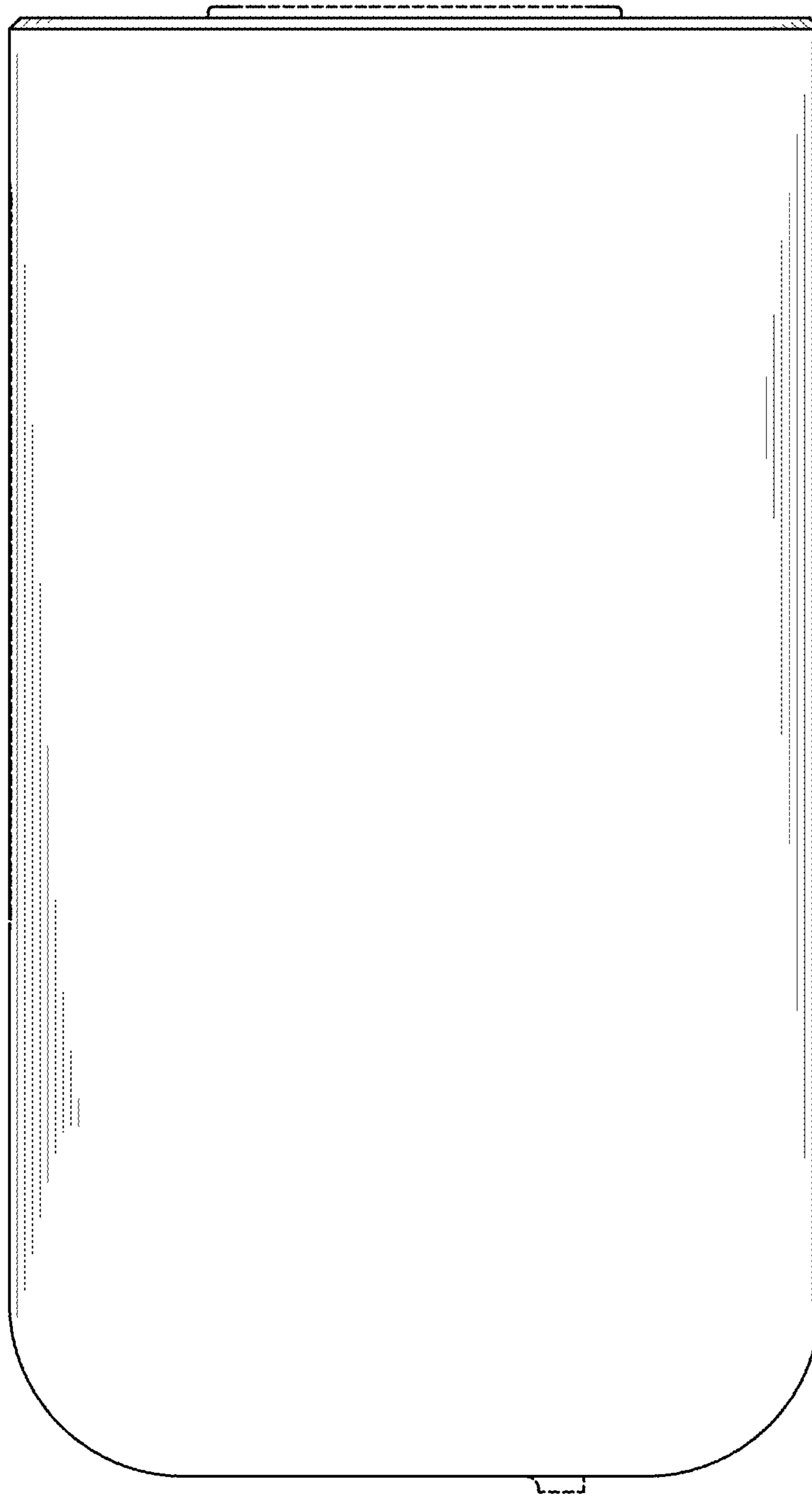


FIG. 3

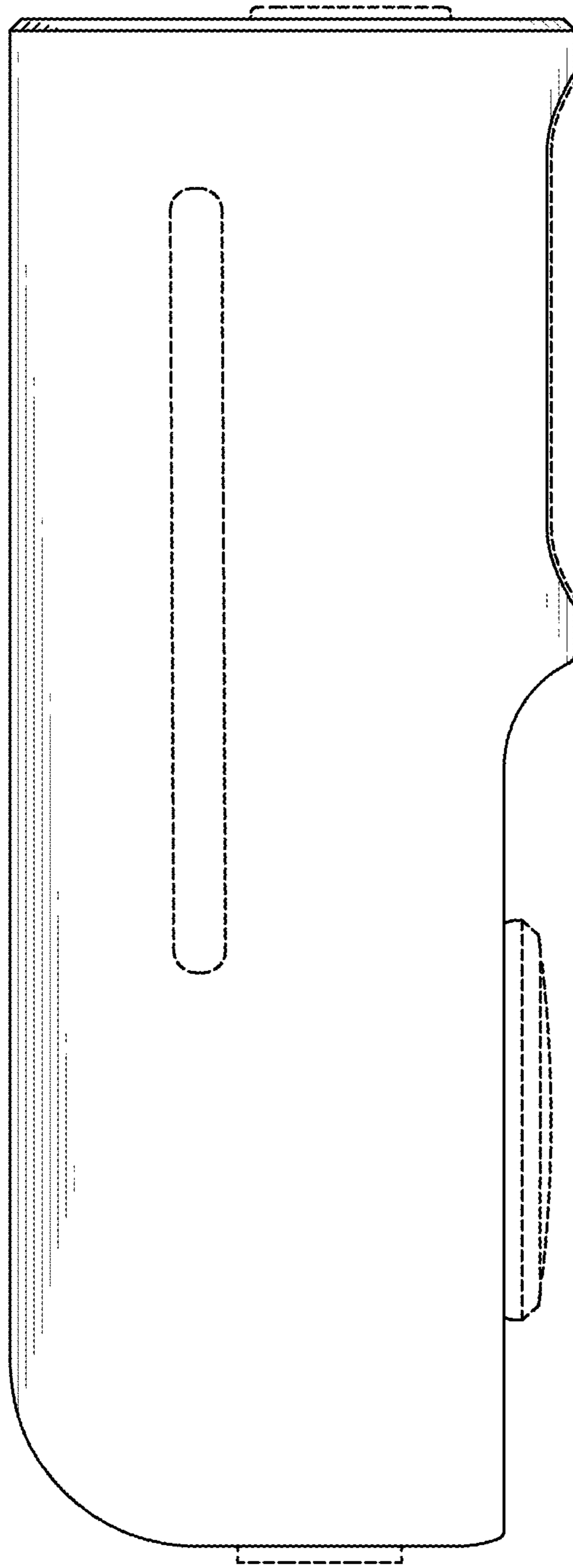


FIG. 4

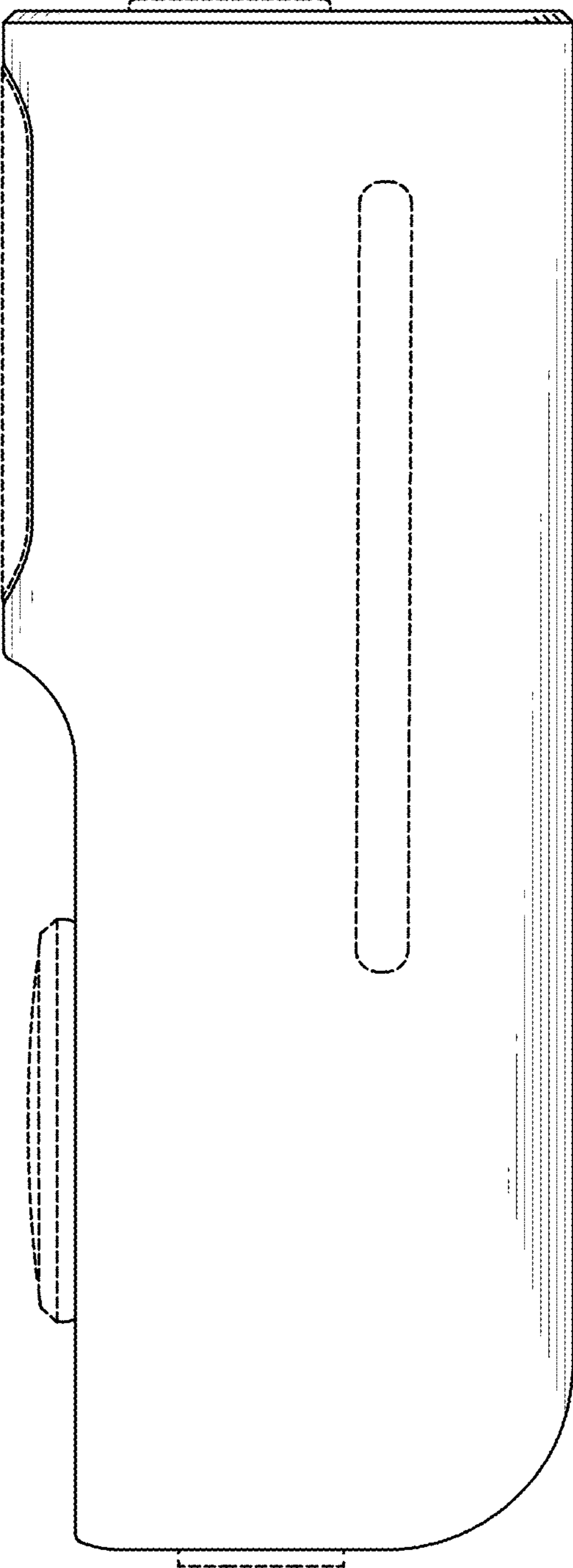


FIG. 5

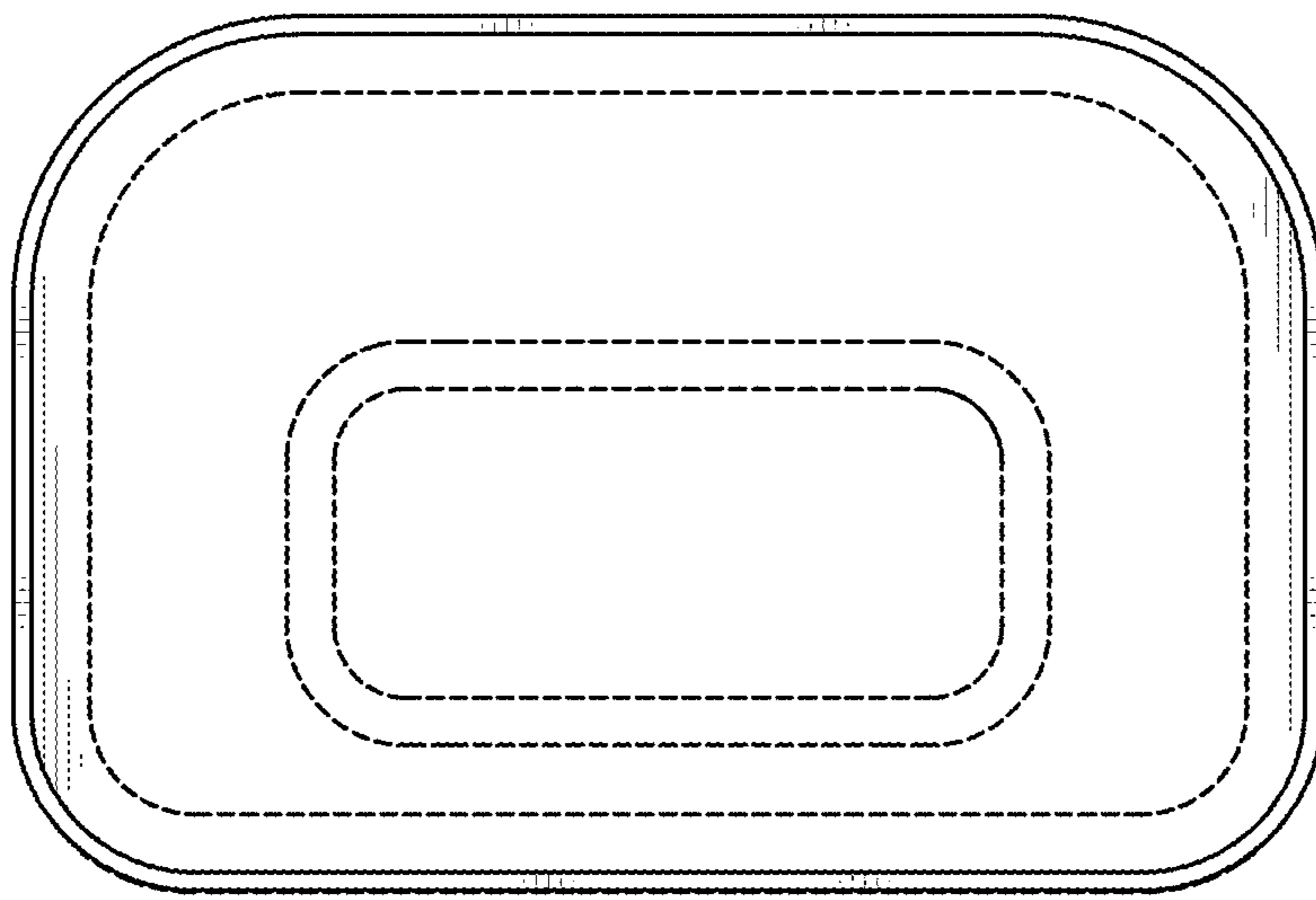


FIG. 6

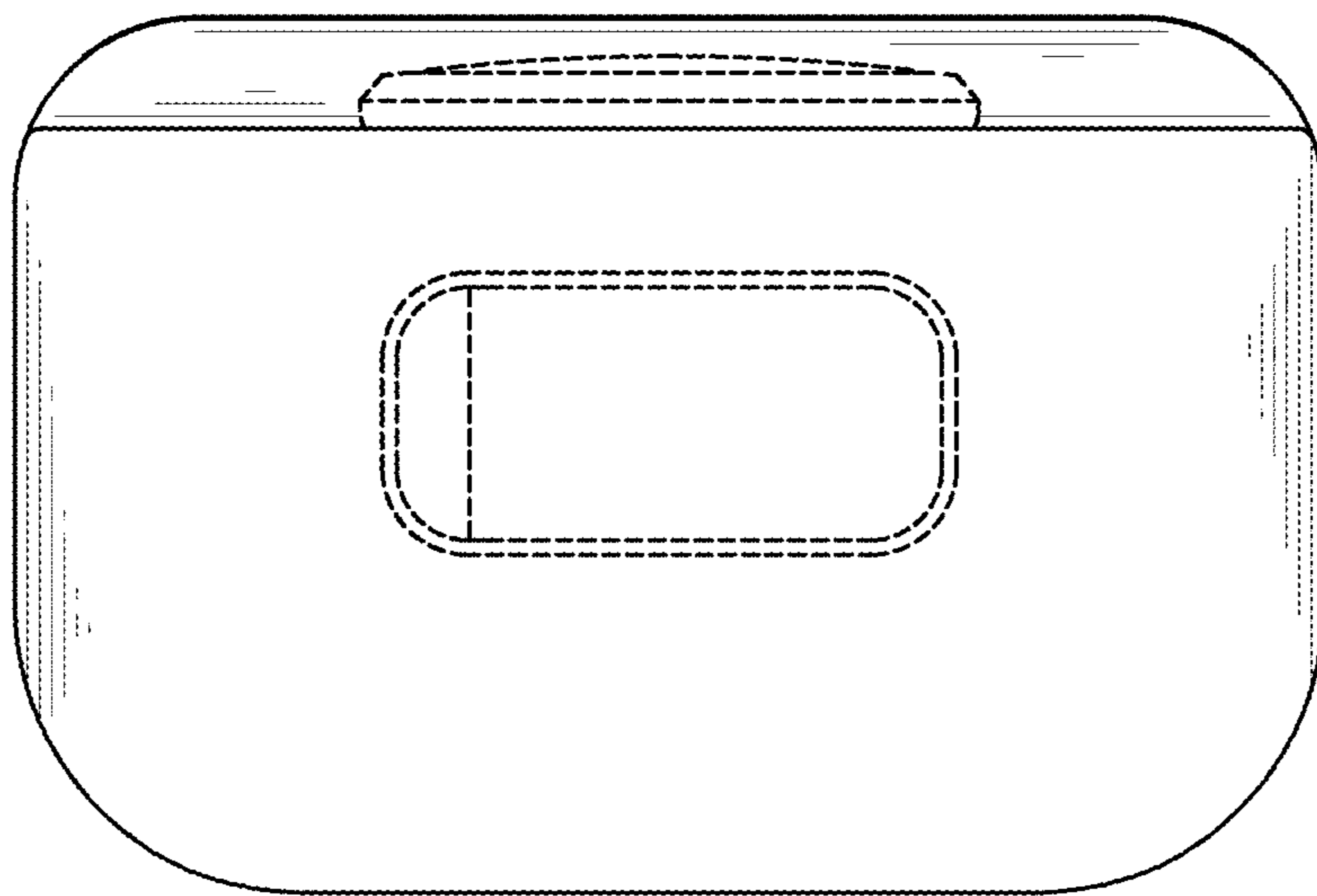


FIG. 7



UNITED STATES PATENT AND TRADEMARK OFFICE  
**CERTIFICATE OF CORRECTION**

PATENT NO. : D789,438 S  
APPLICATION NO. : 29/525477  
DATED : June 13, 2017  
INVENTOR(S) : Kim et al.

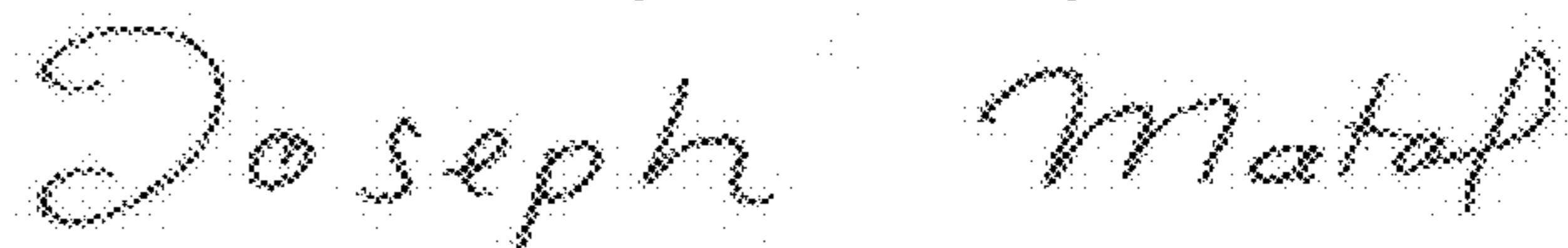
Page 1 of 1

It is certified that error appears in the above-identified patent and that said Letters Patent is hereby corrected as shown below:

On the Title Page

Add a Foreign Application Priority Data item (30) and list priority document CN 201530002535.8.

Signed and Sealed this  
Ninth Day of January, 2018



Joseph Matal

*Performing the Functions and Duties of the  
Under Secretary of Commerce for Intellectual Property and  
Director of the United States Patent and Trademark Office*