



US00D789437S

(12) **United States Design Patent**  
**Kimura et al.**

(10) **Patent No.:** **US D789,437 S**

(45) **Date of Patent:** **\*\* Jun. 13, 2017**

(54) **PROJECTOR**

(71) Applicant: **Hitachi Maxell, Ltd.**, Ibaraki-shi,  
Osaka (JP)

(72) Inventors: **Shigetaka Kimura**, Tokyo (JP); **Shinji  
Shibuya**, Tokyo (JP); **Kazumasa  
Ueoka**, Fujian (CN); **Yusuke  
Nakajima**, Osaka (JP)

(73) Assignee: **Hitachi Maxell, Ltd.**, Ibaraki-shi (JP)

(\*\*) Term: **15 Years**

(21) Appl. No.: **29/554,596**

(22) Filed: **Feb. 12, 2016**

(30) **Foreign Application Priority Data**

Sep. 18, 2015 (JP) ..... 2015-020827

(51) **LOC (10) Cl.** ..... **16-02**

(52) **U.S. Cl.**  
USPC ..... **D16/230; D16/225**

(58) **Field of Classification Search**  
USPC ..... D16/221, 225, 230–231, 234; D21/514  
CPC .... G03B 21/145; G03B 21/00; G03B 21/001;  
G03B 21/003; G03B 21/14; G03B 21/12  
See application file for complete search history.

(56) **References Cited**

**U.S. PATENT DOCUMENTS**

D544,898 S \* 6/2007 Kawabe ..... D16/230  
D555,185 S \* 11/2007 Nozue ..... D16/230

D575,811 S \* 8/2008 Ohki ..... D16/225  
D664,585 S \* 7/2012 Senda ..... D16/225  
D727,996 S \* 4/2015 Ogawa ..... D16/230  
D738,949 S \* 9/2015 Okamoto ..... D16/225

\* cited by examiner

*Primary Examiner* — Wan Laymon

(74) *Attorney, Agent, or Firm* — Crowell & Moring LLP

(57) **CLAIM**

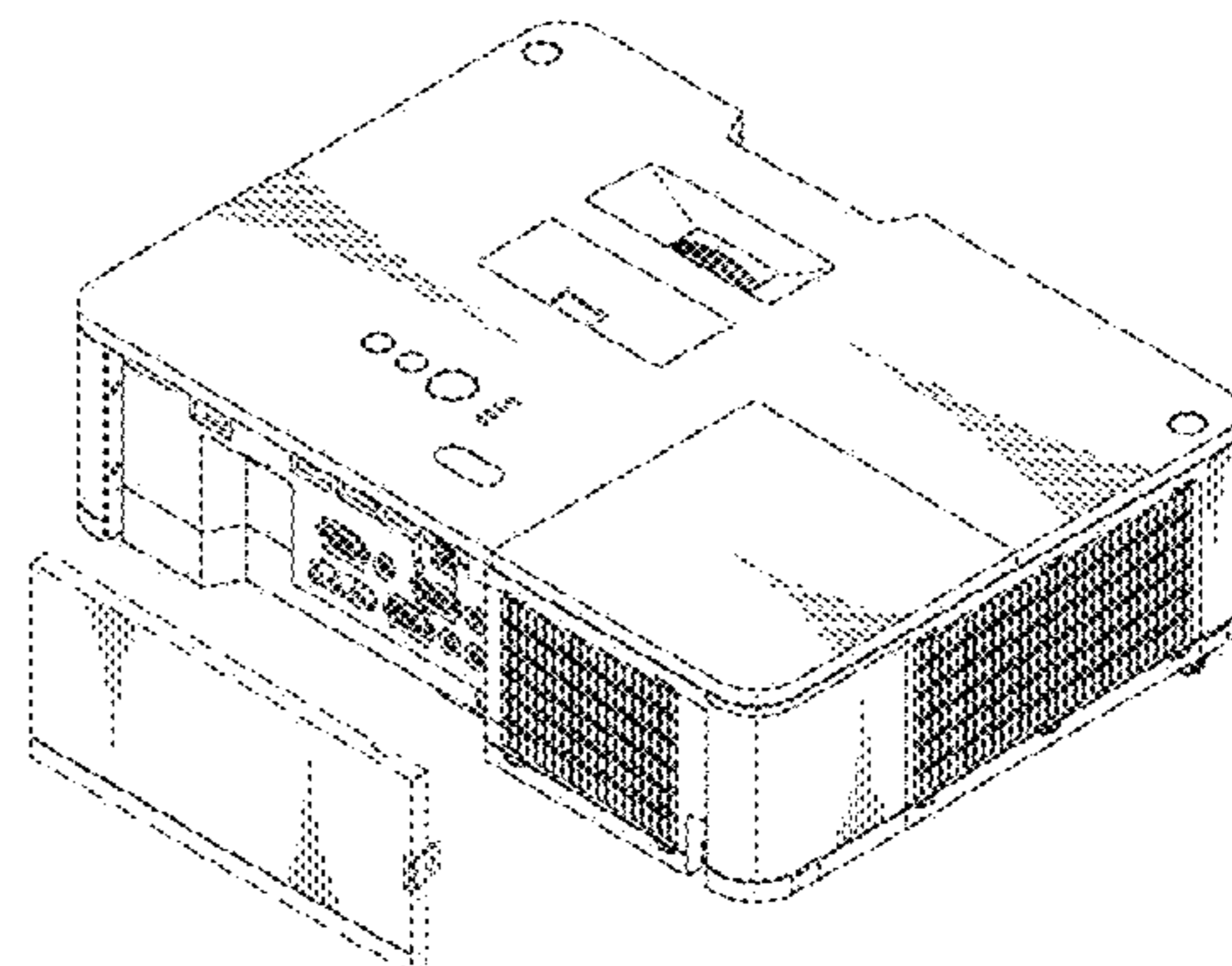
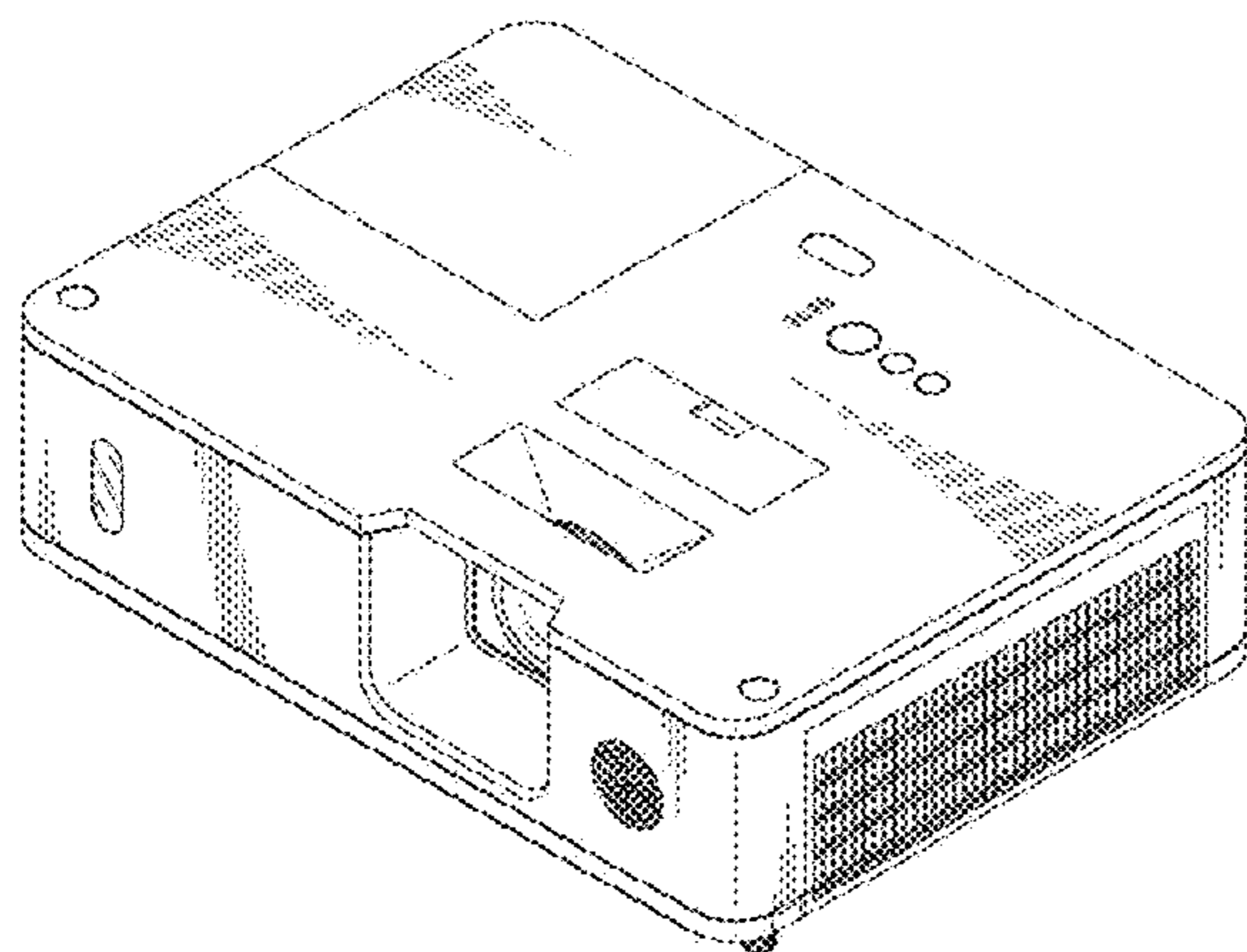
The ornamental design for a projector, as shown and described.

**DESCRIPTION**

FIG. 1 is a front elevational view of a projector according to the design;  
FIG. 2 is a right side elevational view thereof;  
FIG. 3 is a left side elevational view thereof;  
FIG. 4 is a top plan view thereof;  
FIG. 5 is a bottom plan view thereof;  
FIG. 6 is a rear elevational view thereof;  
FIG. 7 is a front perspective view thereof; and,  
FIG. 8 is an exploded rear perspective view with rear panel being removed.

The broken lines in FIG. 8 represent portions of the projector that form no part of the claimed design.

**1 Claim, 8 Drawing Sheets**



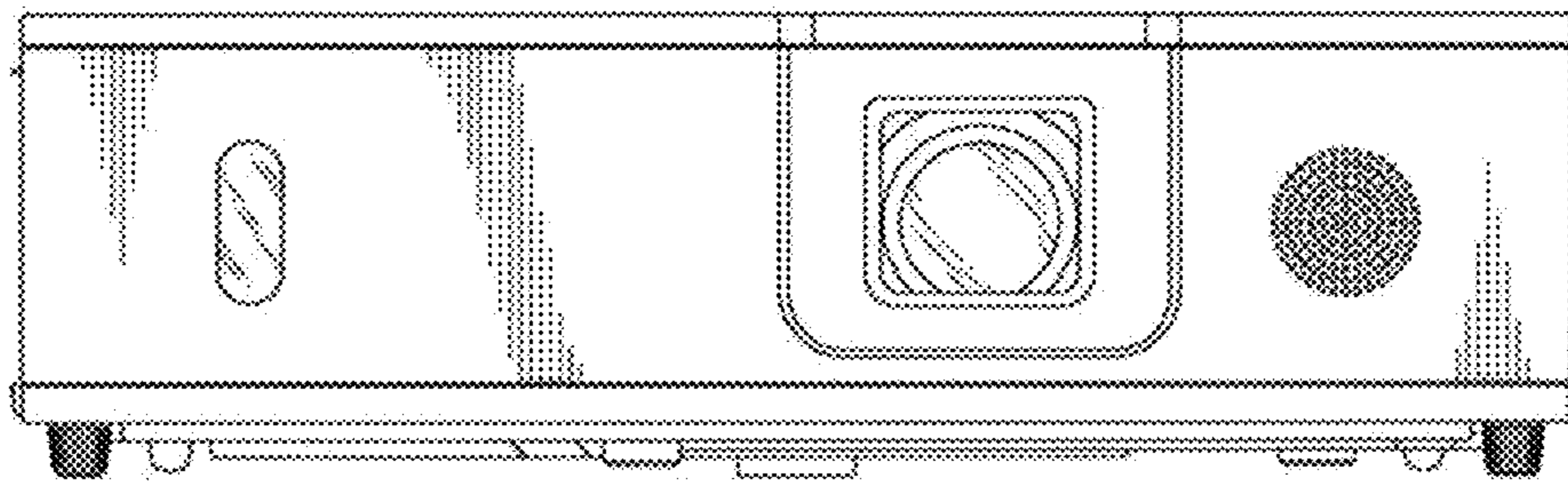


FIG. 1

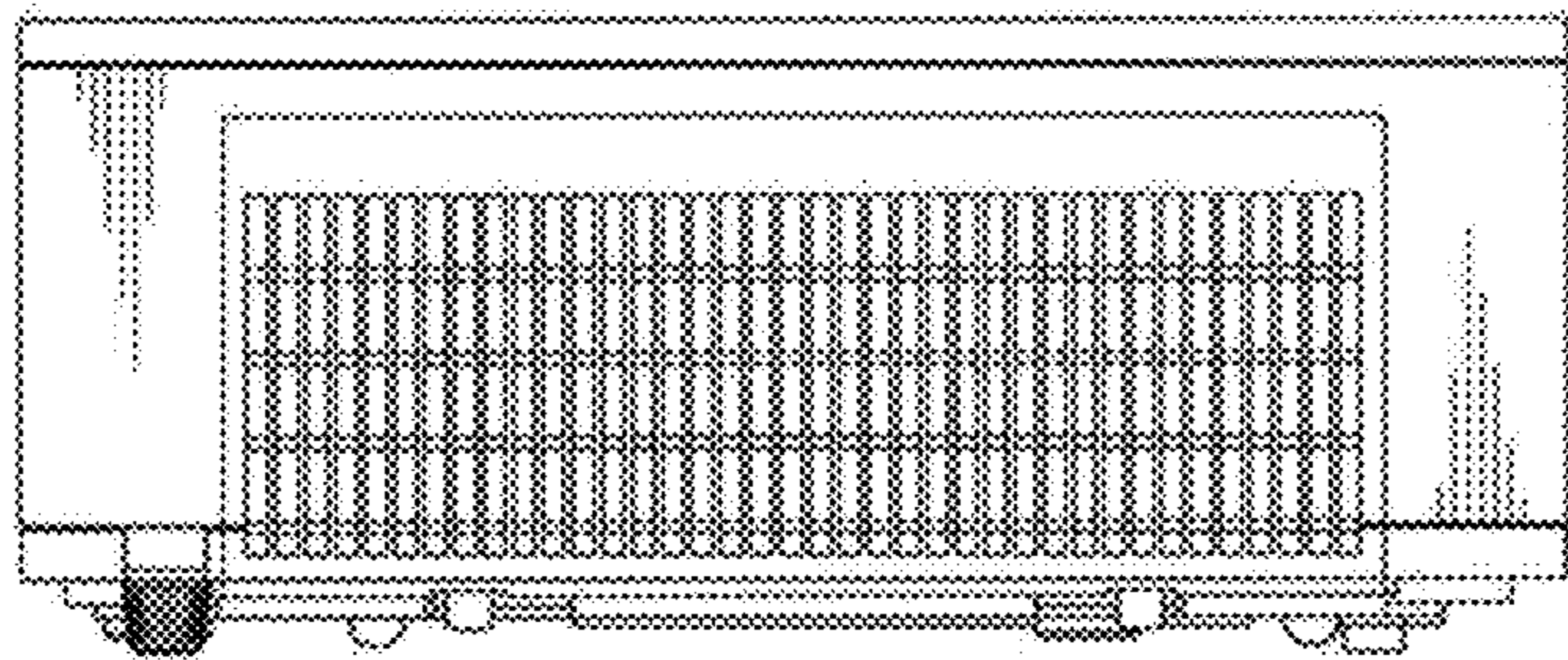


FIG. 2

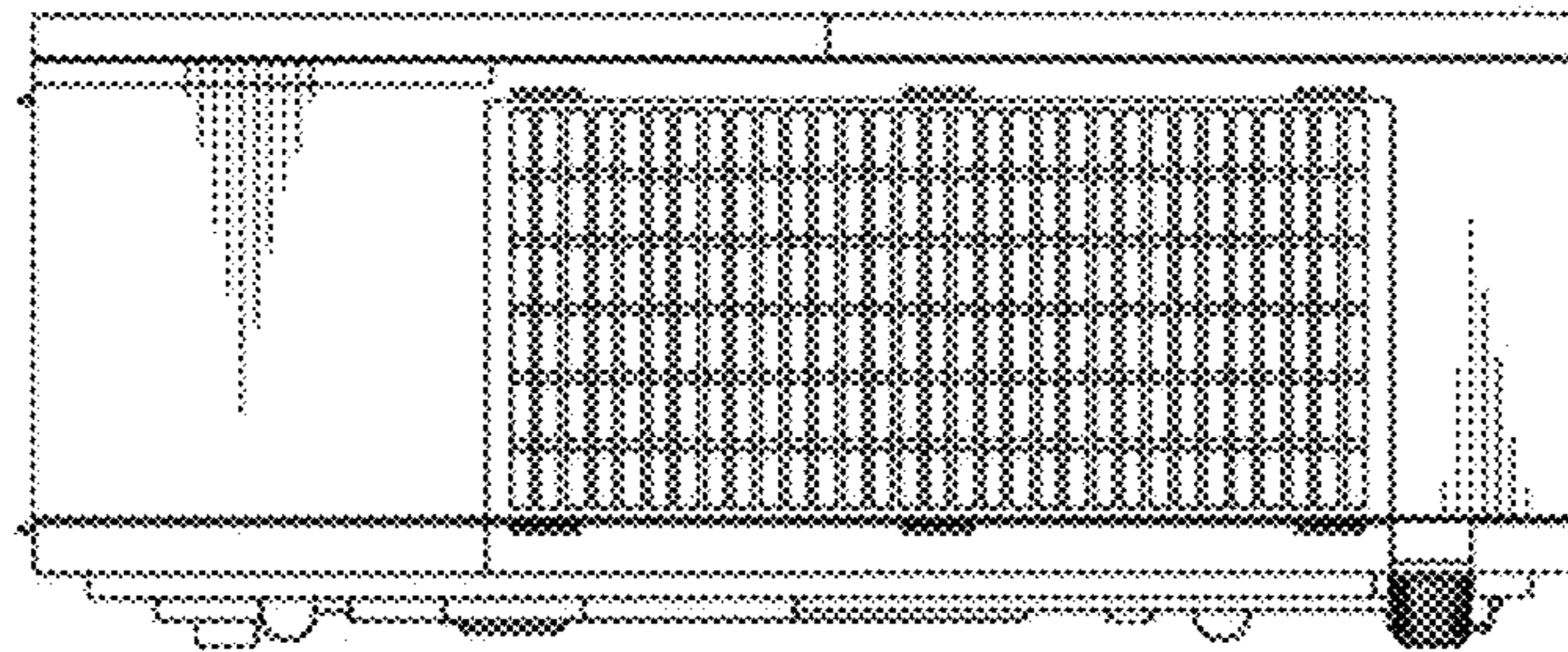


FIG. 3

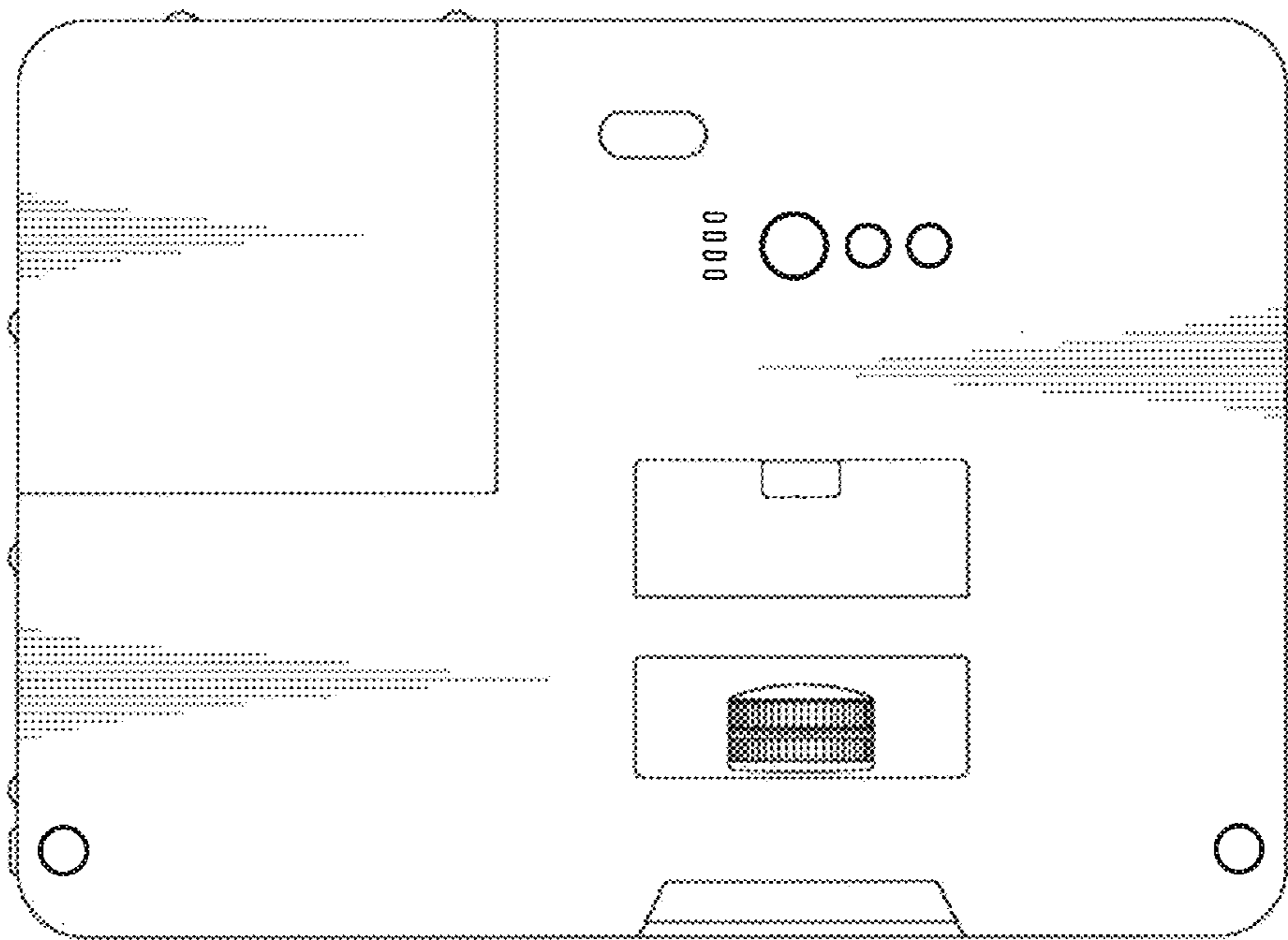


FIG. 4



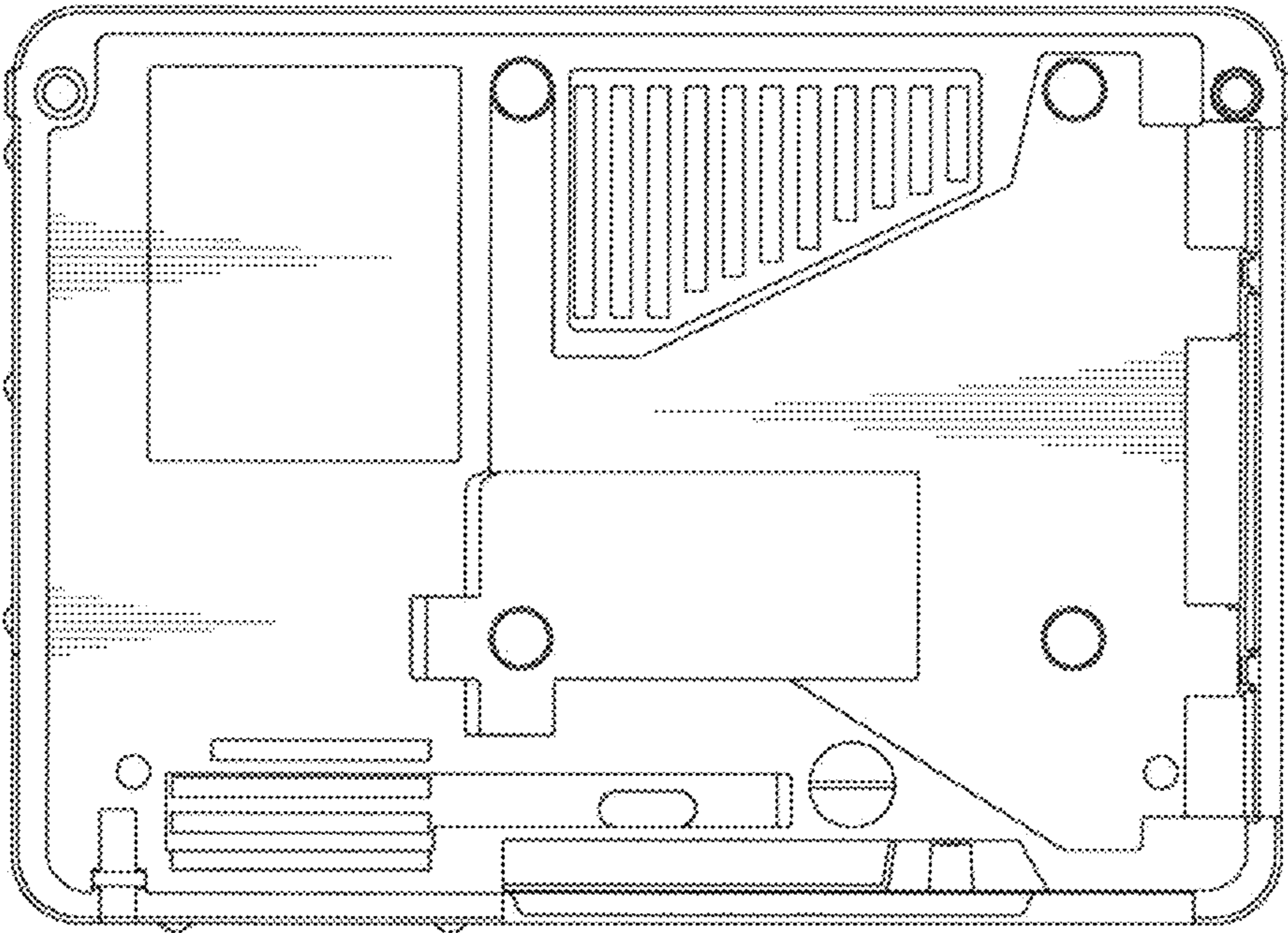


FIG. 5

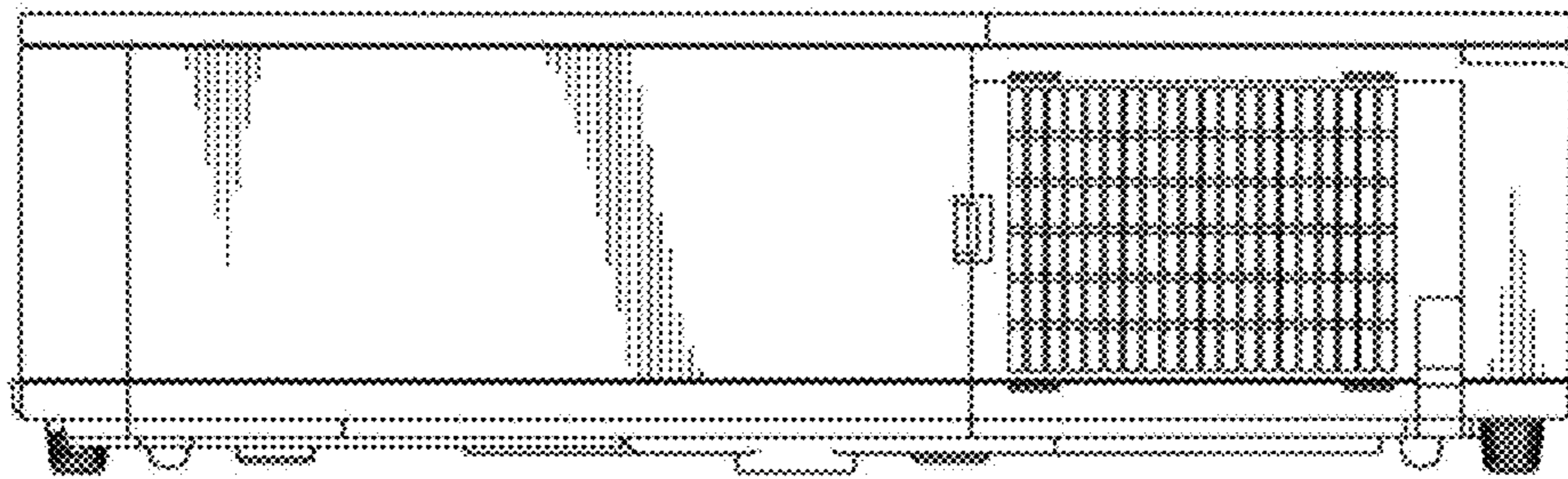


FIG. 6

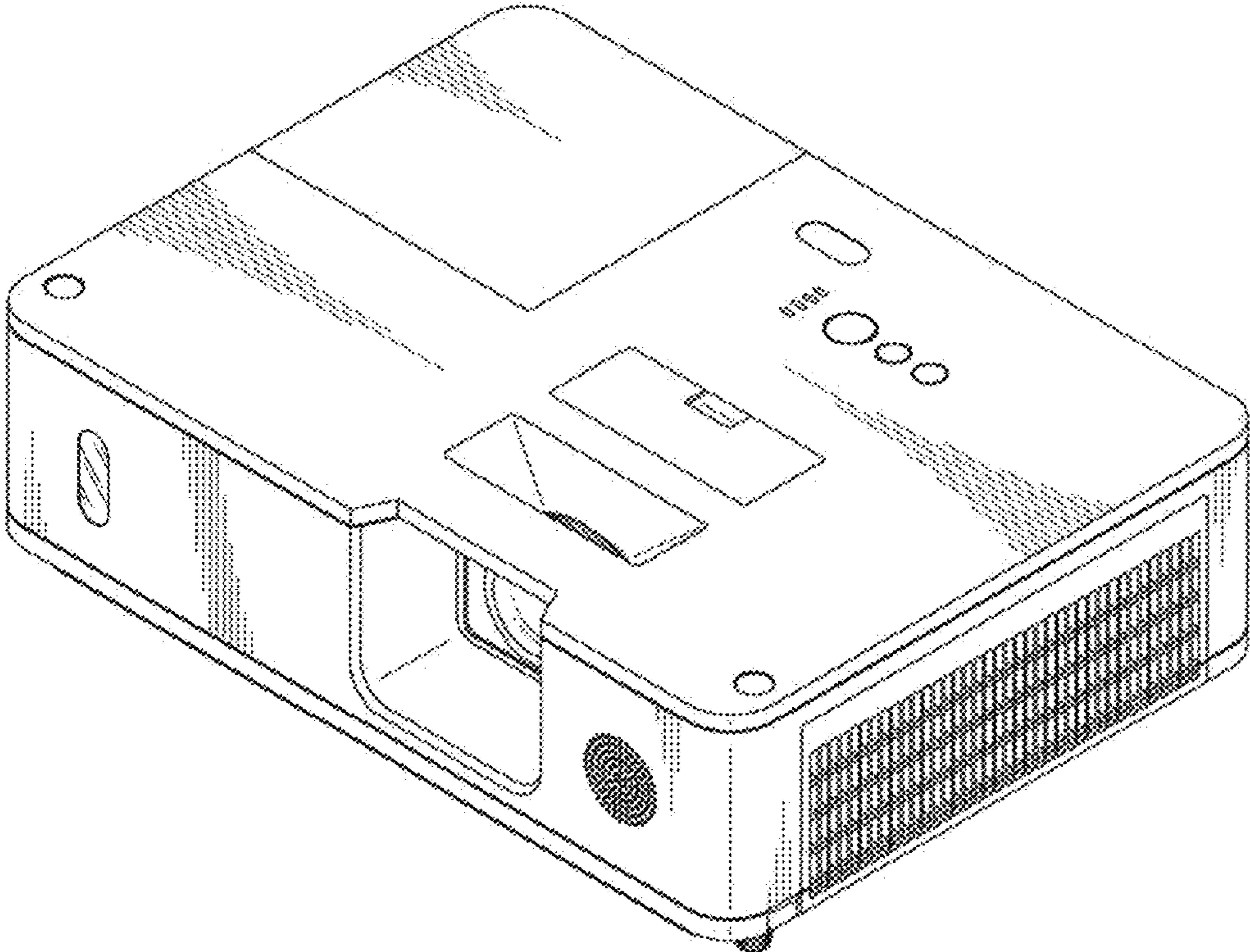


FIG. 7



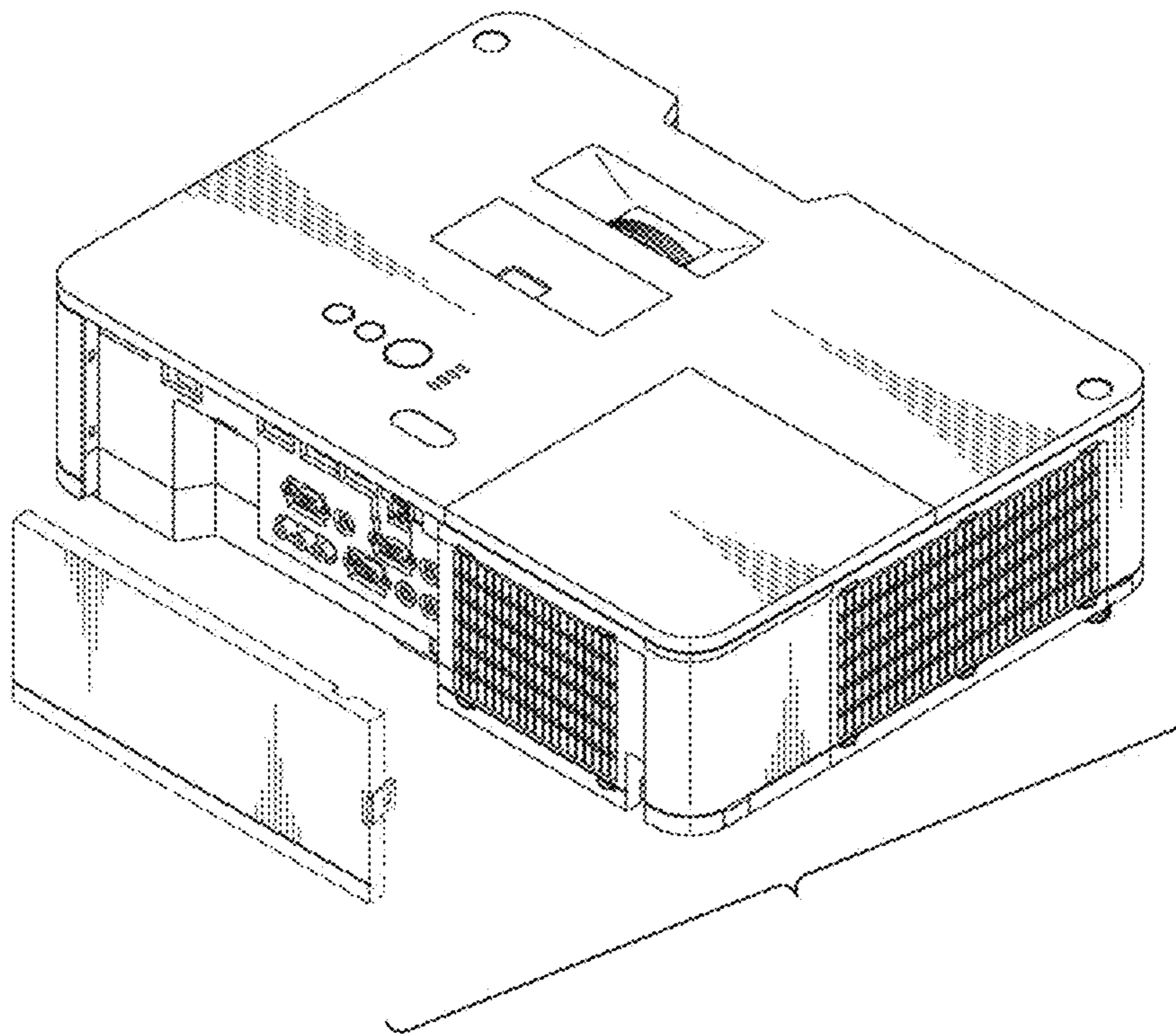


FIG. 8