



US00D789436S

(12) **United States Design Patent** (10) **Patent No.:** **US D789,436 S**  
**McCurry** (45) **Date of Patent:** **\*\* Jun. 13, 2017**

(54) **PRESSURE FIT FOCUS GEAR**  
(71) Applicant: **Patrick Sean McCurry**, McDonough,  
GA (US)  
(72) Inventor: **Patrick Sean McCurry**, McDonough,  
GA (US)

D635,607 S \* 4/2011 Takagi ..... D16/219  
D648,738 S \* 11/2011 Lemay ..... D14/489  
D651,631 S \* 1/2012 Ovel ..... D16/134  
D678,902 S \* 3/2013 Evans ..... D14/492  
D683,616 S \* 6/2013 Noumi ..... D8/356  
D692,475 S \* 10/2013 Hasuda ..... D16/134  
2015/0286028 A1 \* 10/2015 McCurry ..... G03B 3/00  
359/825

(\*\*) Term: **14 Years**

**OTHER PUBLICATIONS**

(21) Appl. No.: **29/522,062**  
(22) Filed: **Mar. 27, 2015**  
(51) **LOC (10) Cl.** ..... **16-01**  
(52) **U.S. Cl.**  
USPC ..... **D16/219; D16/134**  
(58) **Field of Classification Search**  
USPC ..... D10/128; D12/114, 123, 124, 127;  
D16/200-220, 134, 136; D25/56, 57, 58,  
D25/138-141  
CPC ... H04N 5/77; B60R 11/04; B60R 2011/0003;  
B60R 2011/0033; G07C 5/0891  
See application file for complete search history.

Seamless Focus Fit Gear by Mechanical Engineer Sean McCurry,  
posted at danmccomb.com, posting date Mar. 21, 2014, [online],  
[site visited Apr. 5, 2017]. Available from Internet, <URL: http://  
www.danmccomb.com/  
naileditseamlessfocusgearsbymechanicalengineerseanmccurry/  
https://www.facebook.com/eyeplug/photos>.\*

\* cited by examiner

*Primary Examiner* — Susan E Krakower  
*Assistant Examiner* — Lisa A Grabenstetter  
(74) *Attorney, Agent, or Firm* — Dale J. Ream

(56) **References Cited**

**U.S. PATENT DOCUMENTS**

D366,017 S \* 1/1996 Boone ..... D12/123  
D380,976 S \* 7/1997 Houlihan ..... D10/128  
D395,469 S \* 6/1998 Glickman ..... D21/484  
D424,983 S \* 5/2000 Liang ..... D12/122  
D427,946 S \* 7/2000 Kuo-An ..... D12/114  
D472,843 S \* 4/2003 Marquez-Pickering ..... D11/81  
D529,065 S \* 9/2006 Watanabe ..... D16/134  
D534,416 S \* 1/2007 Kelleghan ..... D8/356  
D538,346 S \* 3/2007 Rowe ..... D19/59  
D539,320 S \* 3/2007 Tokiwa ..... D16/134  
D599,719 S \* 9/2009 Wickliffe ..... D12/123  
D604,346 S \* 11/2009 Chiang ..... D12/123  
D617,360 S \* 6/2010 Endo ..... D16/134  
7,885,530 B1 \* 2/2011 Bushnell, III ..... G02B 7/04  
359/825

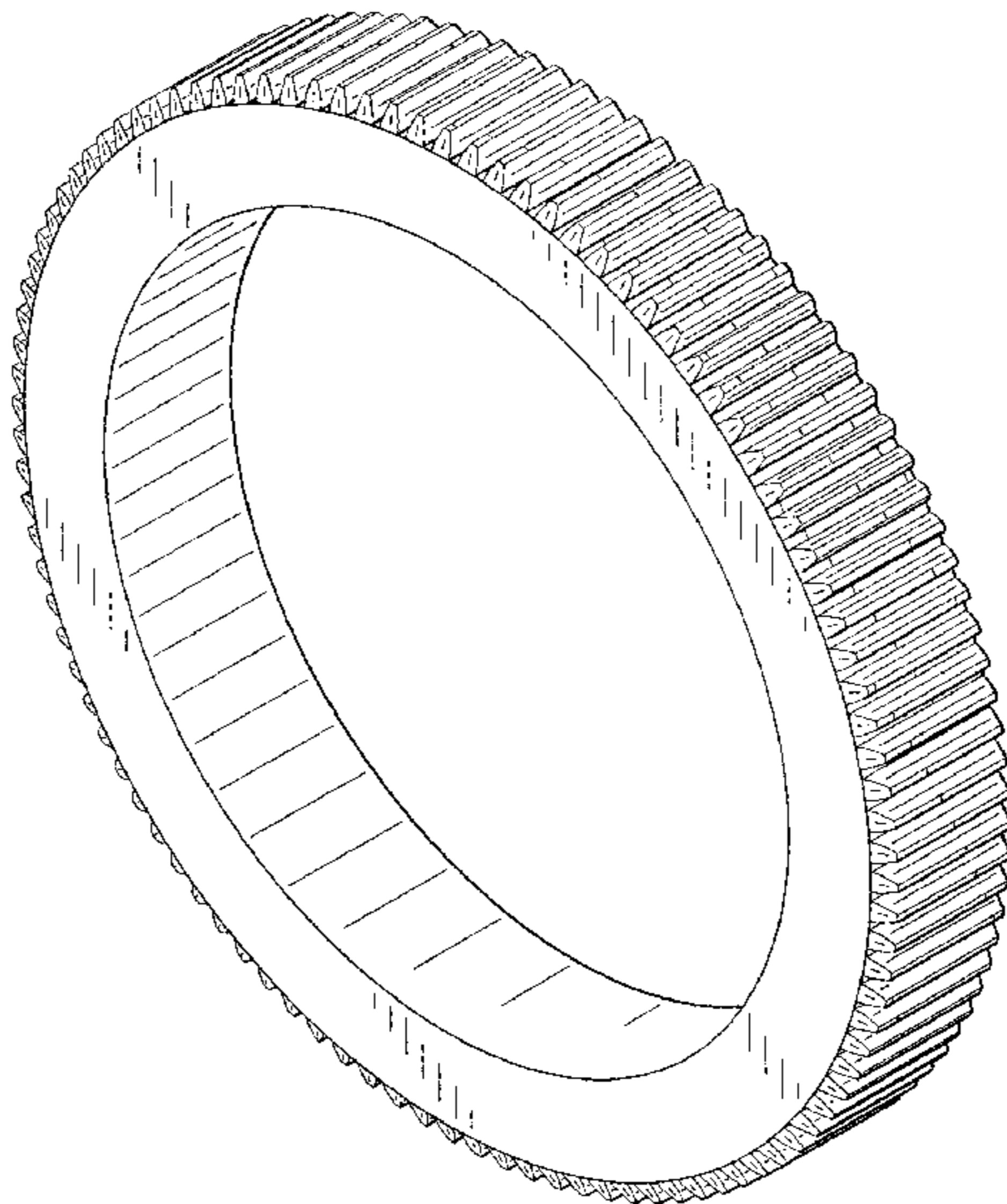
(57) **CLAIM**

The ornamental design for a pressure fit focus gear, as shown  
and described.

**DESCRIPTION**

FIG. 1 is a perspective view of a pressure fit focus gear  
showing my new design;  
FIG. 2 is a front view, the rear view being a mirror image  
thereof;  
FIG. 3 is a right side view, the left side view being a mirror  
image thereof; and,  
FIG. 4 is a top view, the bottom view being a mirror image  
thereof.

**1 Claim, 4 Drawing Sheets**



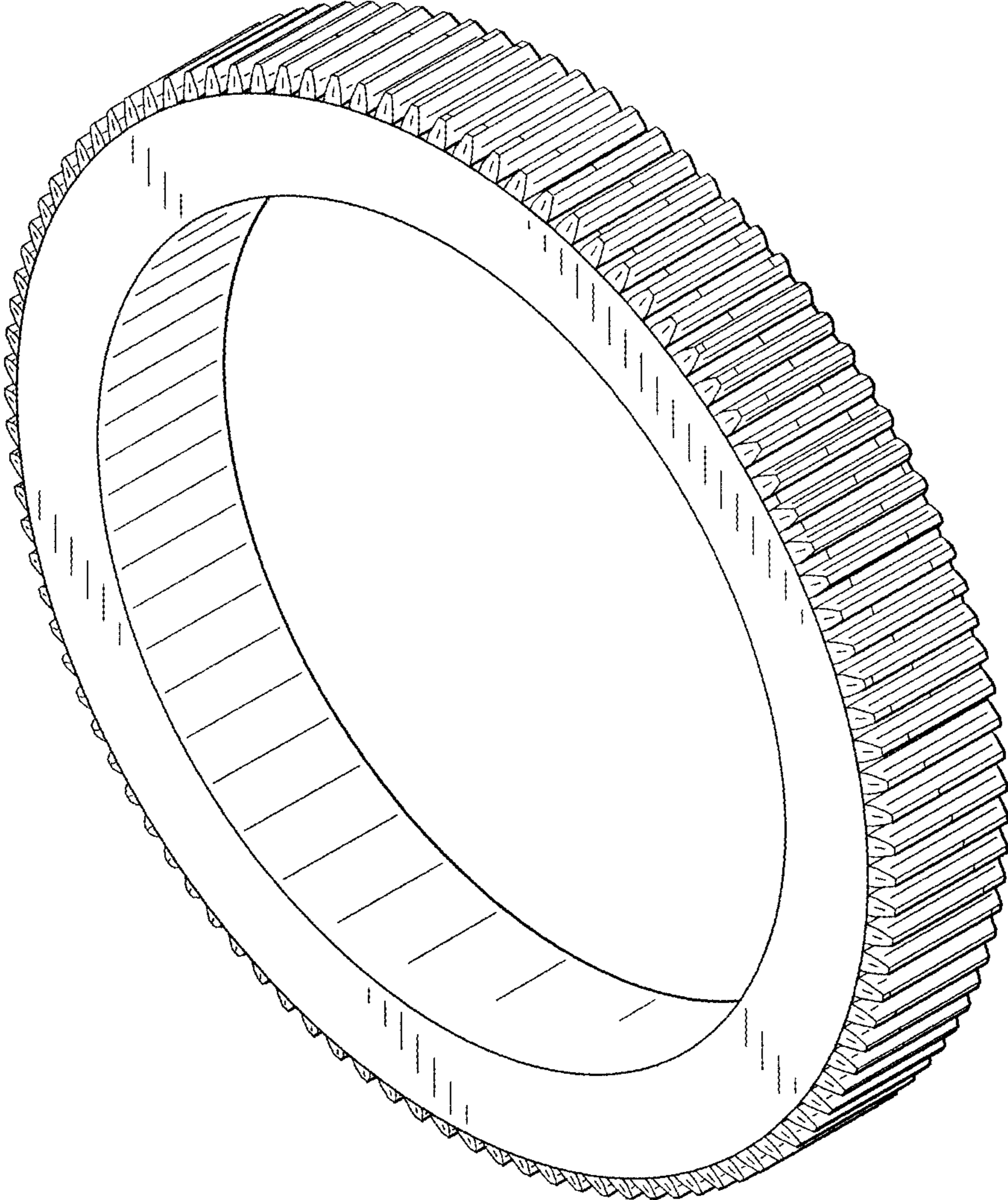


FIG. 1

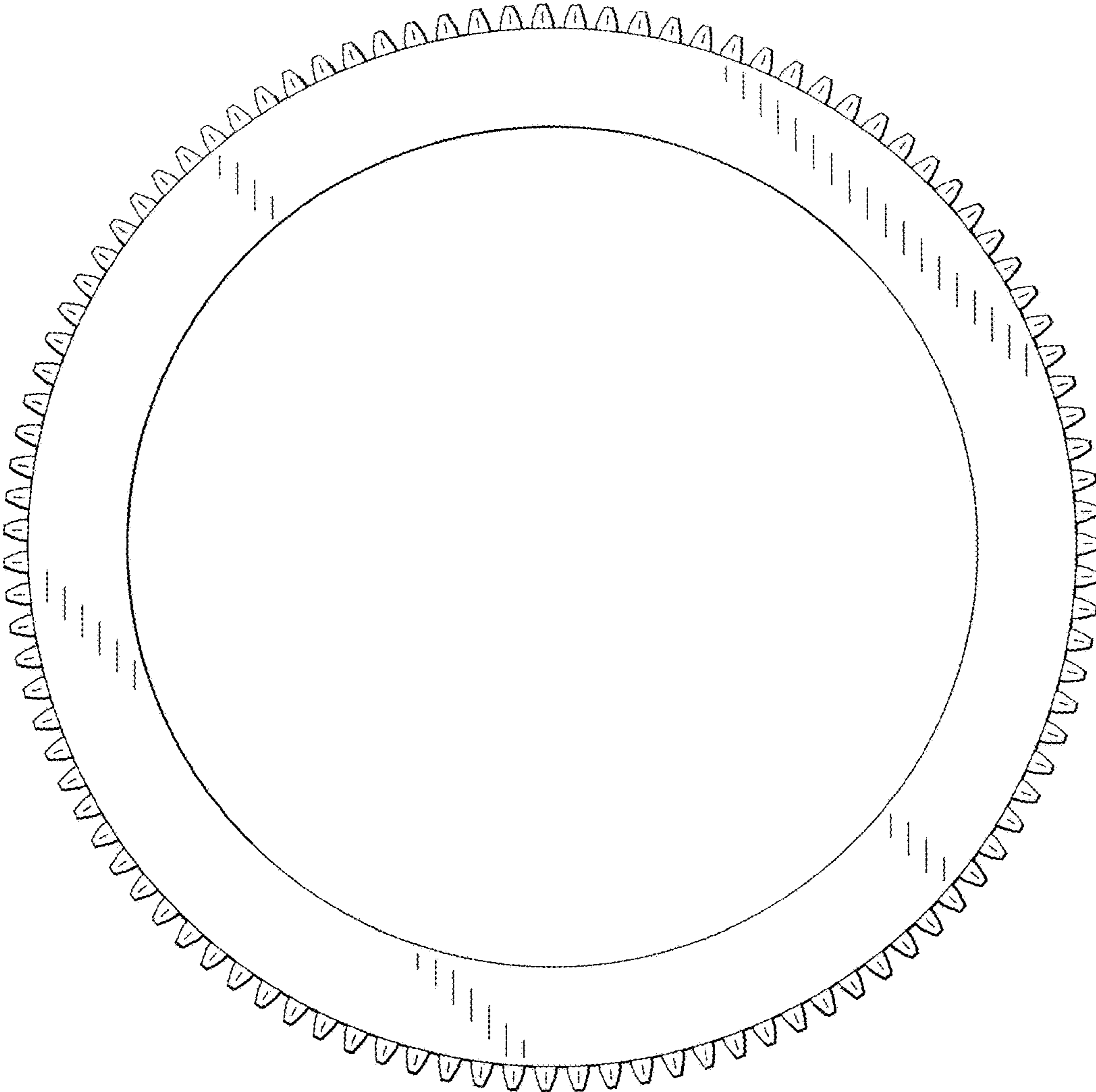


FIG. 2

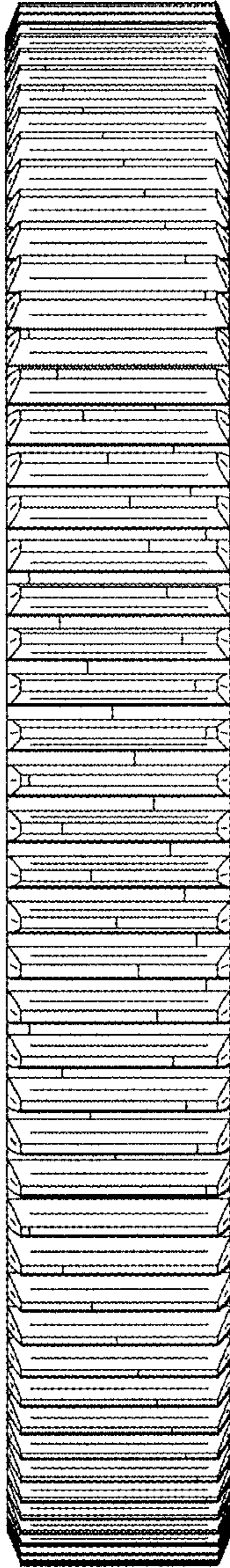


FIG. 3



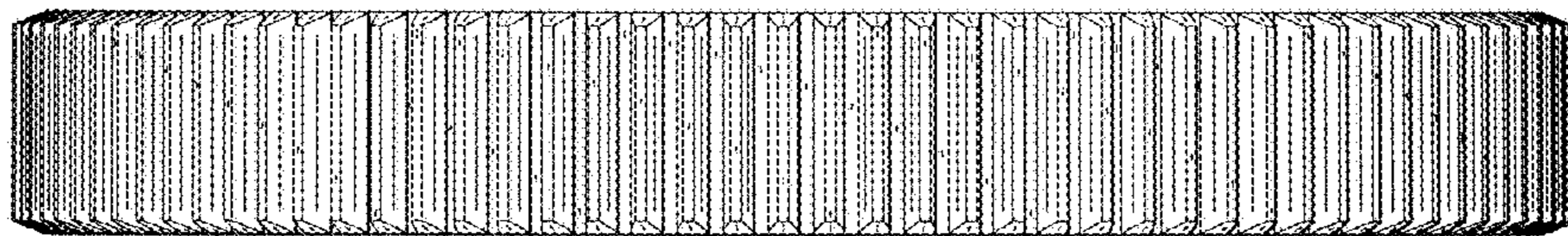


FIG. 4