



US00D789434S

(12) **United States Design Patent**
Abe et al.

(10) **Patent No.:** **US D789,434 S**
(45) **Date of Patent:** **** Jun. 13, 2017**

(54) **DIGITAL CAMERA**
(71) Applicant: **Nikon Corporation**, Tokyo (JP)
(72) Inventors: **Kenji Abe**, Kawasaki (JP); **Makoto Imamizu**, Yokohama (JP); **Yuki Kobayashi**, Tokyo (JP); **Kenichi Soejima**, Yokohama (JP)
(73) Assignee: **Nikon Corporation**, Tokyo (JP)

(**) Term: **15 Years**

(21) Appl. No.: **29/574,463**

(22) Filed: **Aug. 16, 2016**

(30) **Foreign Application Priority Data**

Feb. 18, 2016 (JP) 2016-003535

(51) **LOC (10) Cl.** **16-01**

(52) **U.S. Cl.**
USPC **D16/202; D16/217**

(58) **Field of Classification Search**
USPC D16/200, 202–206, 208, 217, 218, 219;
348/340, 373–376; 396/89, 176–178,
396/535, 539–541
CPC G03B 15/03; G03B 17/02; G03B 17/04;
G03B 17/56; G03B 19/04; H04N 5/2251;
H04N 5/2252; H04N 5/2253; H04N
5/2254; H04N 2101/00

See application file for complete search history.

(56) **References Cited**

U.S. PATENT DOCUMENTS

D570,891 S * 6/2008 Miyahara D16/202
D579,039 S * 10/2008 Nakamura D16/202
D594,892 S * 6/2009 Kamiya D16/202
D609,730 S * 2/2010 Nakamura D16/202

8,131,147 B2 * 3/2012 Kusatsugu G03B 15/05
396/177
D672,801 S * 12/2012 Nakamura D16/202
D698,840 S * 2/2014 Nakamura D16/202
D706,849 S * 6/2014 Sakai D16/202
D724,130 S * 3/2015 Ham D16/202
D724,131 S * 3/2015 Kim D16/202
D724,639 S * 3/2015 Noh D16/202
D733,782 S * 7/2015 Sakai D16/202
2006/0222357 A1 * 10/2006 Tomimoto G03B 15/05
396/177

* cited by examiner

Primary Examiner — Philip S Hyder

Assistant Examiner — Ramzi Almatrahi

(74) *Attorney, Agent, or Firm* — Wolf, Greenfield & Sacks, P.C.

(57) **CLAIM**

The ornamental design for a digital camera, as shown and described.

DESCRIPTION

FIG. 1 is a front perspective view of a digital camera showing our new design;
FIG. 2 is a rear perspective view thereof;
FIG. 3 is a front elevational view thereof;
FIG. 4 is a rear elevational view thereof;
FIG. 5 is a top plan view thereof;
FIG. 6 is a bottom plan view thereof;
FIG. 7 is a right side elevational view thereof; and,
FIG. 8 is a left side elevational view thereof.

The broken lines depict portions of the digital camera in which the design is embodied that form no part of the claimed design. Additionally, the dash-dot lines denote the boundary of the claim and form no part of the claimed design.

1 Claim, 8 Drawing Sheets

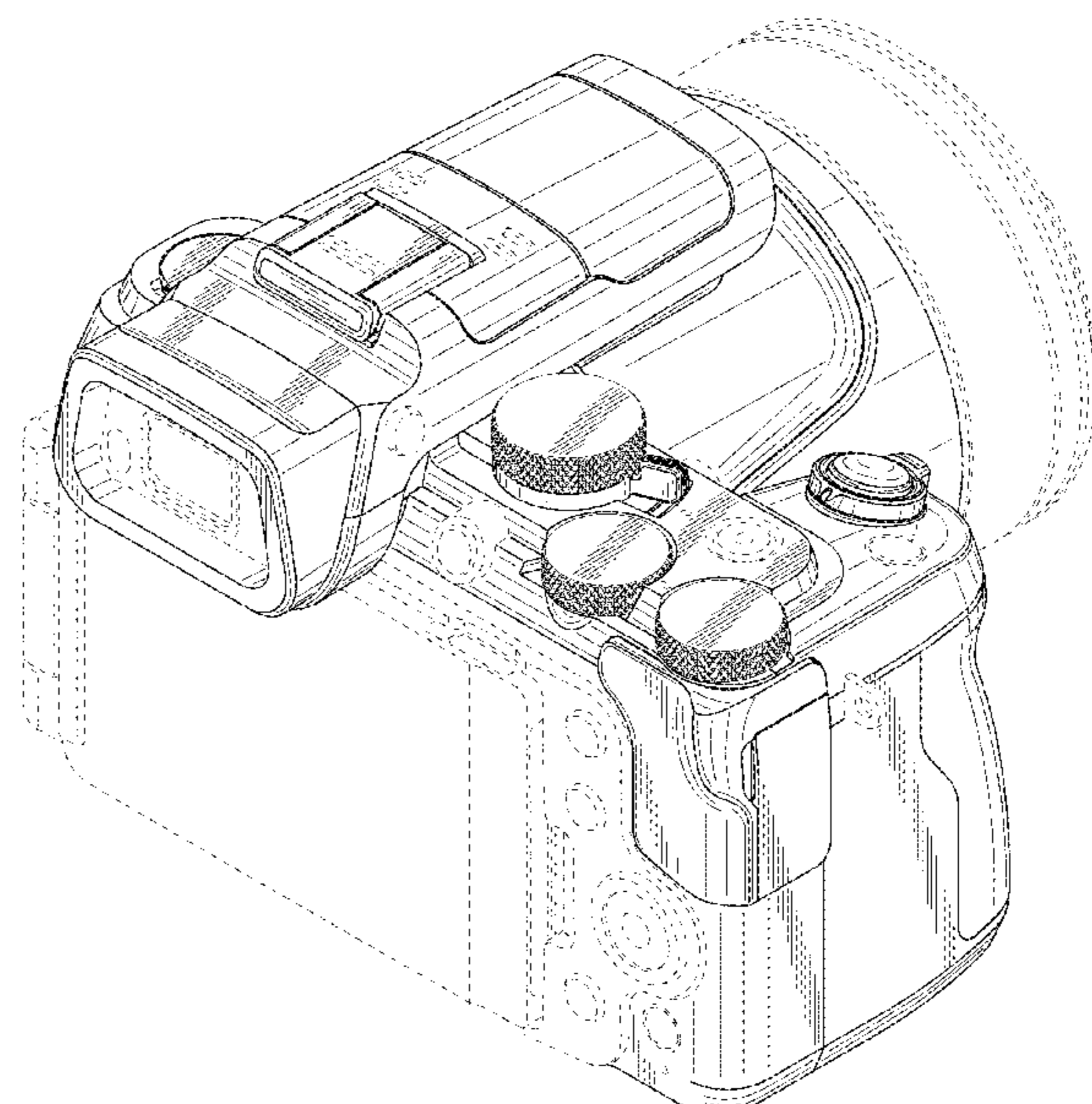
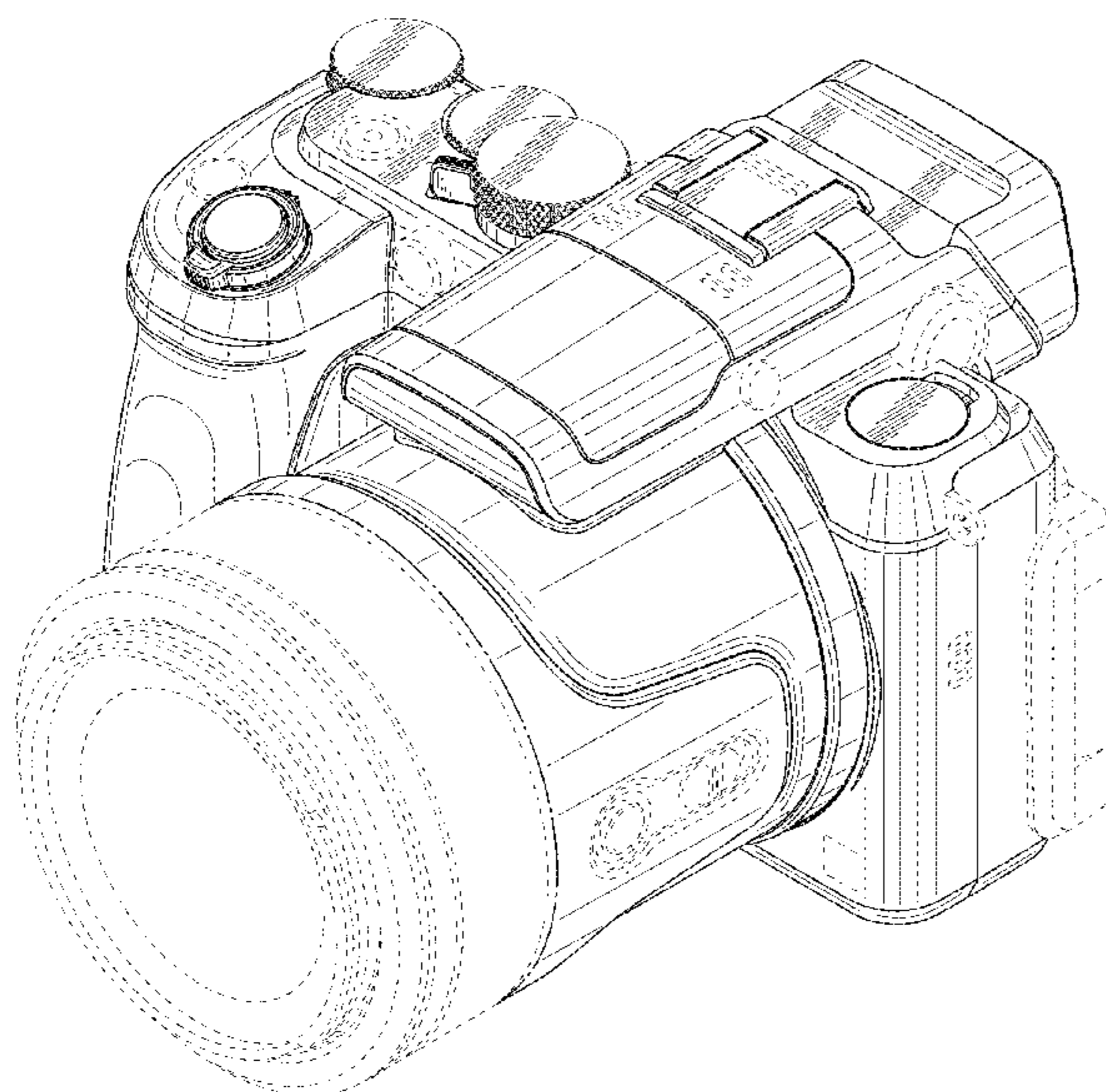


FIG. 1

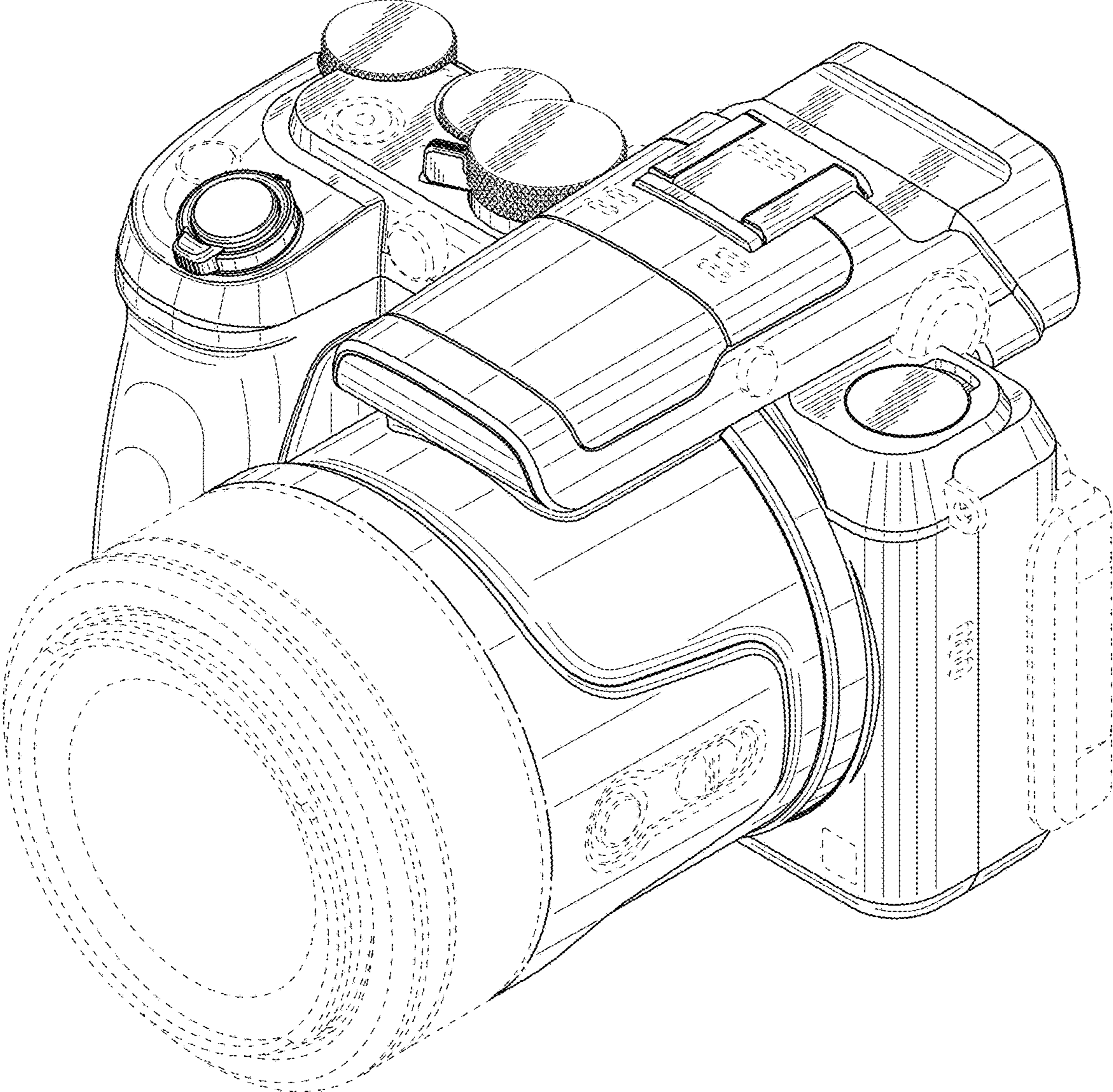


FIG. 2

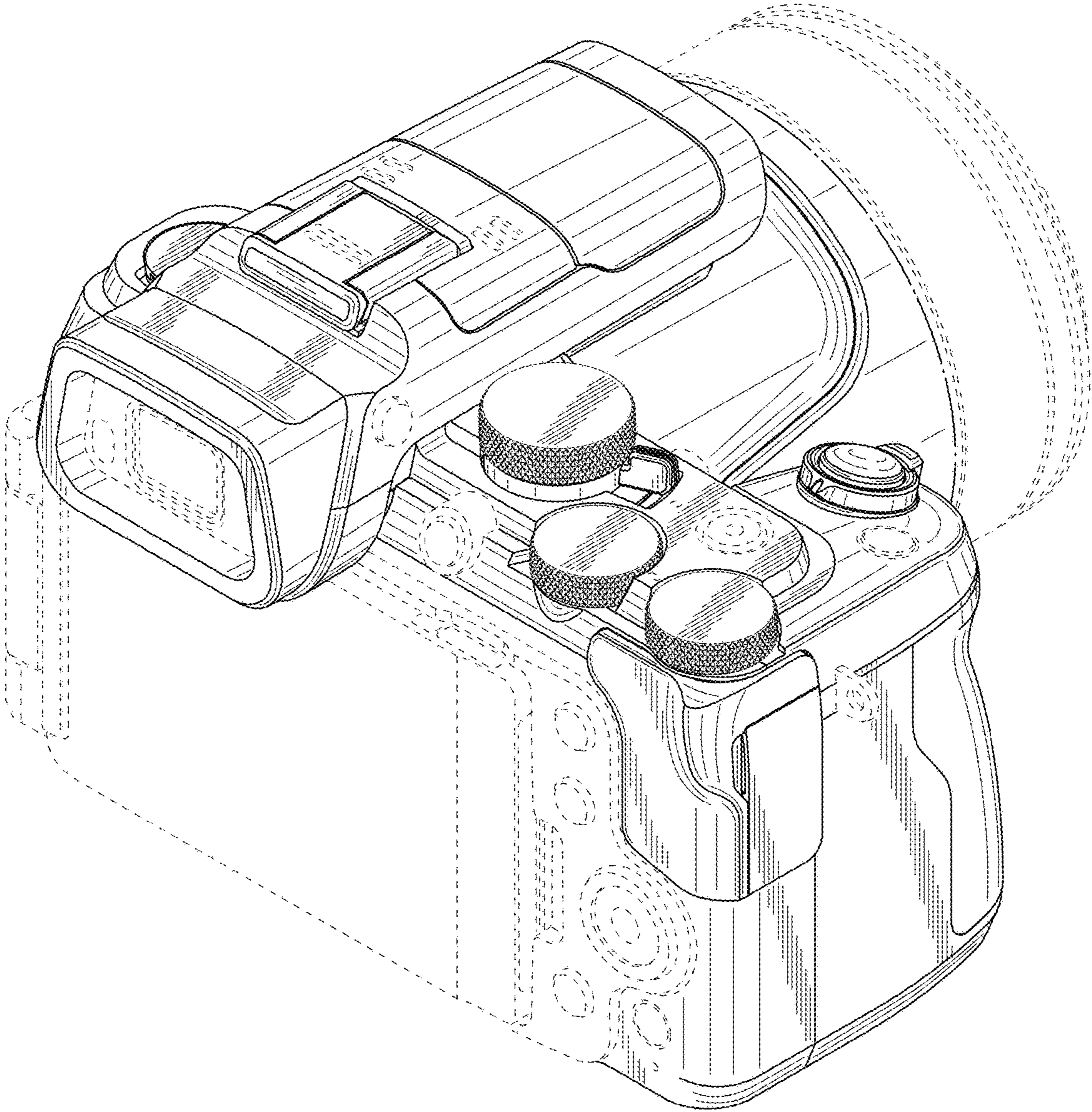


FIG. 3

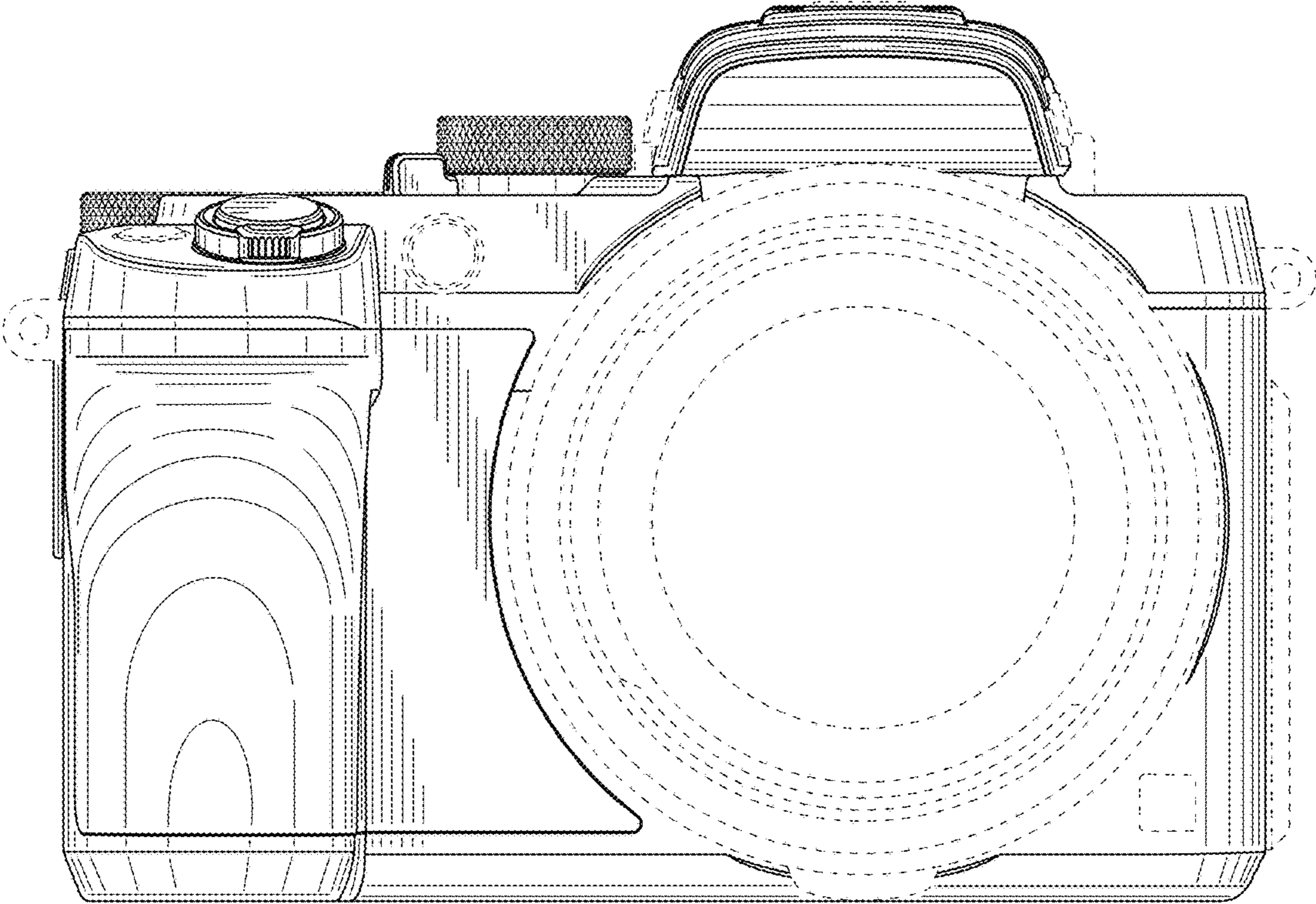


FIG. 4

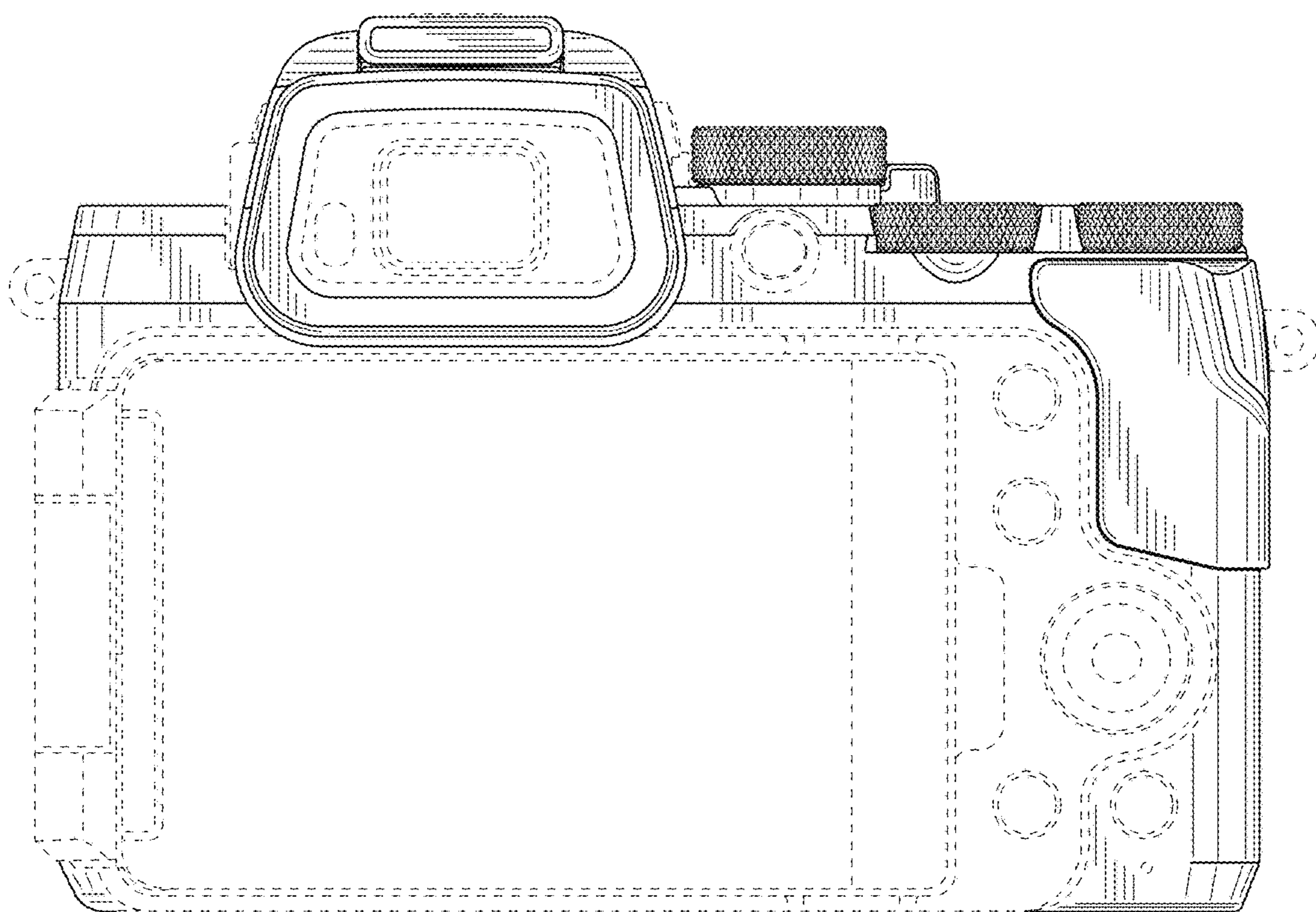


FIG. 5

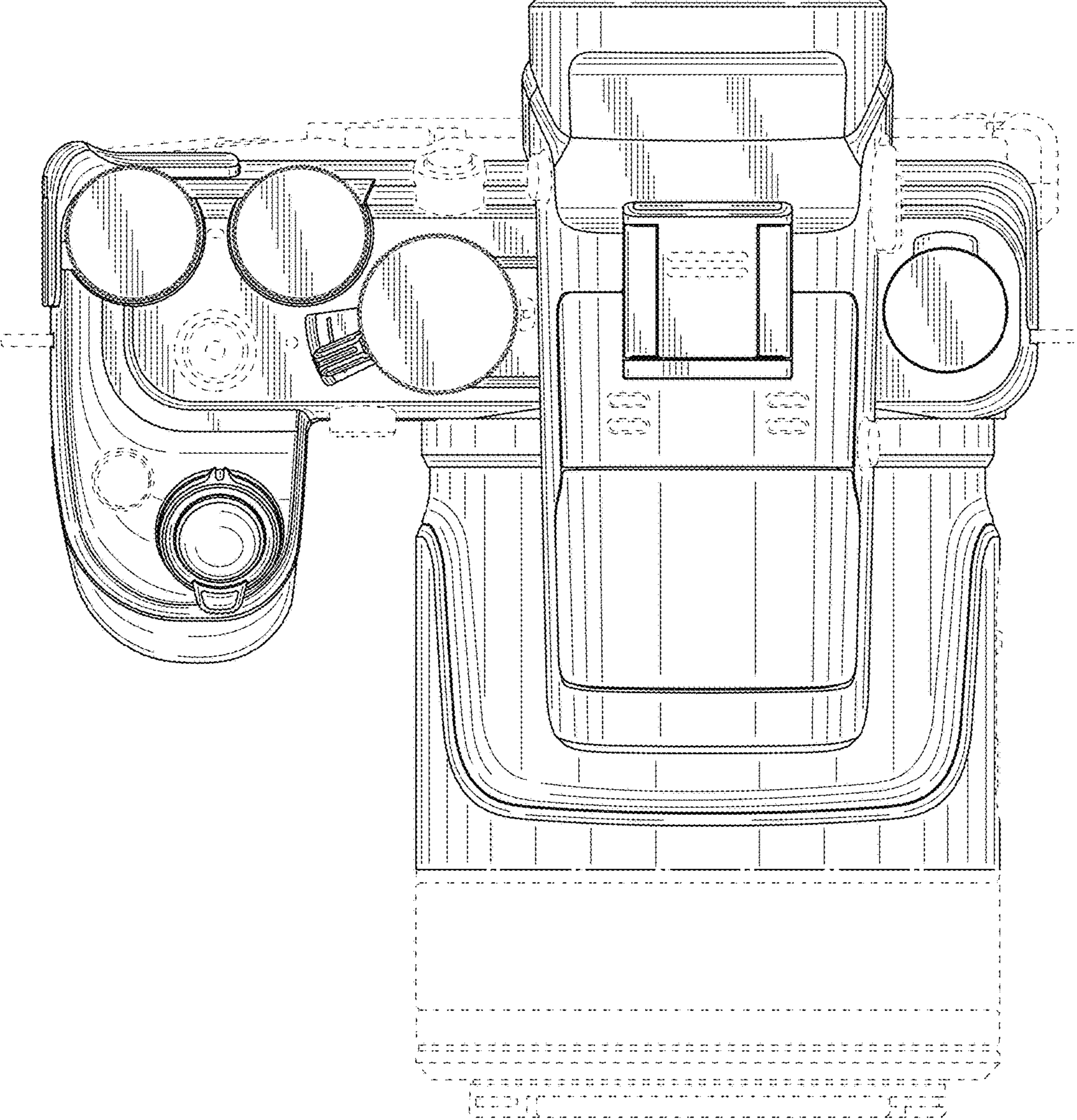


FIG. 6

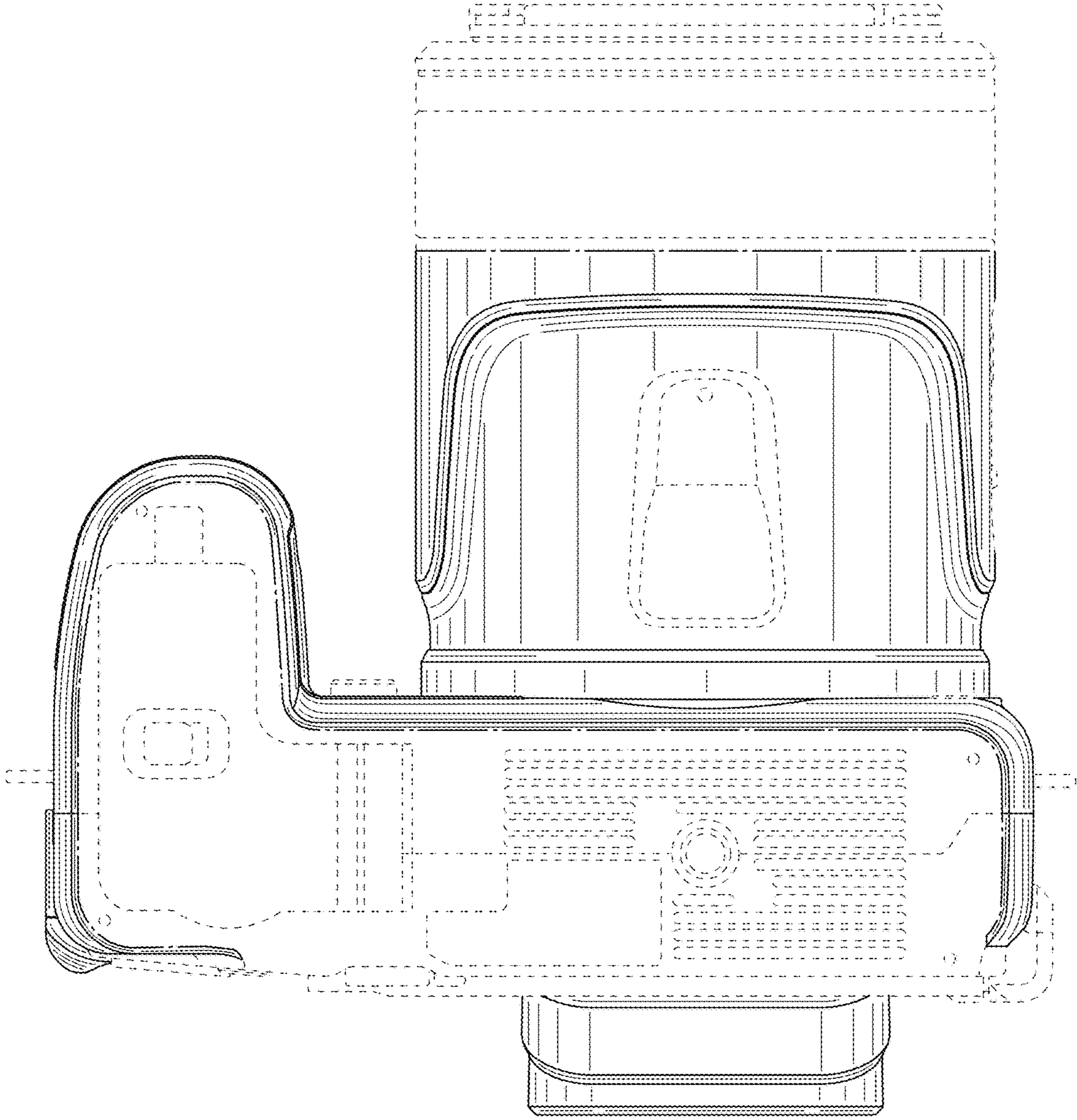


FIG. 7

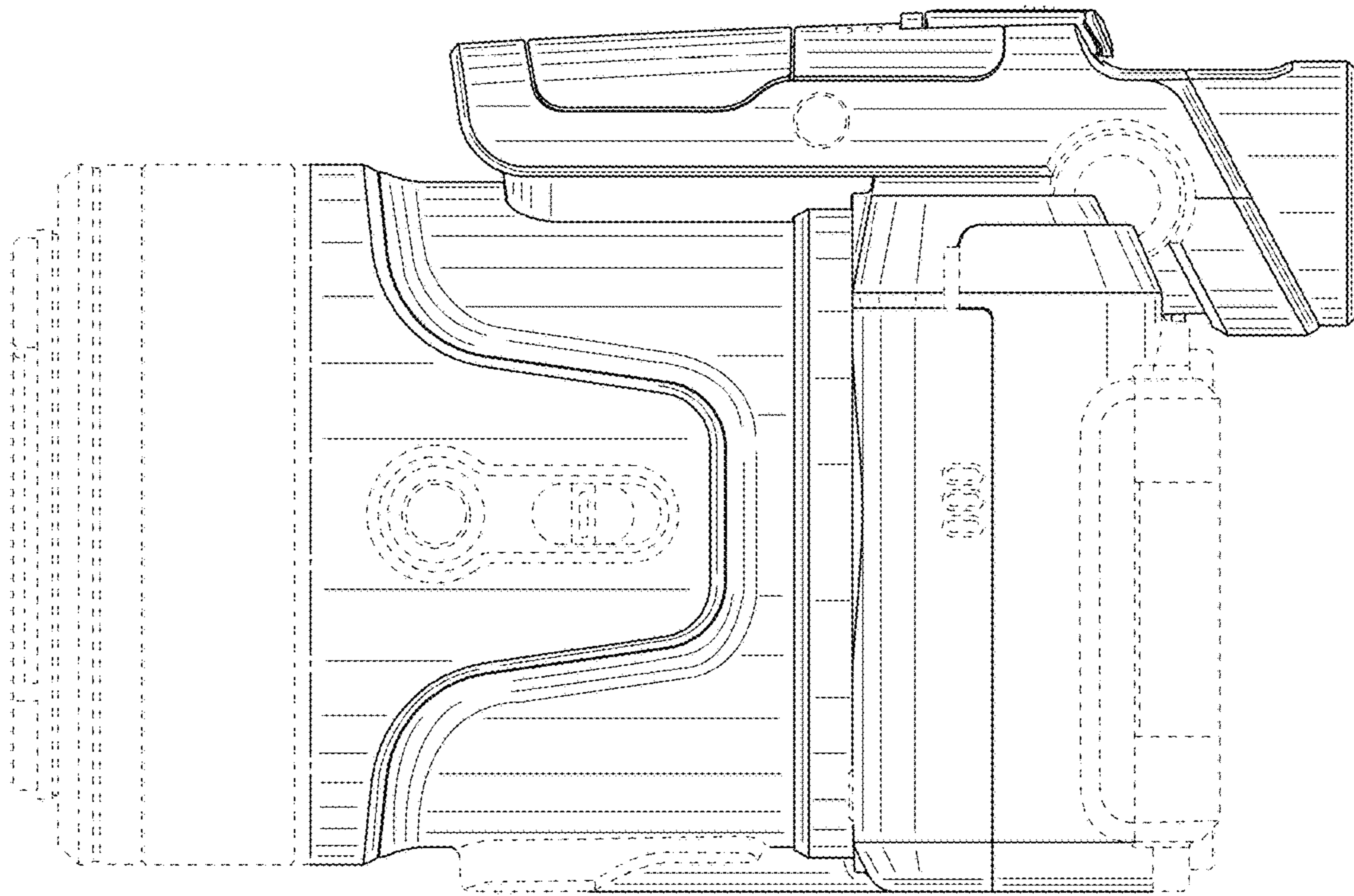


FIG. 8

