



US00D789429S

(12) **United States Design Patent** (10) **Patent No.:** **US D789,429 S**
Chou et al. (45) **Date of Patent:** **** Jun. 13, 2017**

(54) **TIP FOR CUTTING TOOL**

(74) *Attorney, Agent, or Firm* — Venable LLP; Michael A. Sartori; F. Brock Riggs

(71) Applicant: **SUMITOMO ELECTRIC HARDMETAL CORP.**, Itami-shi (JP)

(57) **CLAIM**

(72) Inventors: **Bin Chou**, Osaka (JP); **Shigenori Emoto**, Osaka (JP)

The ornamental design for a tip for cutting tool, as shown and described.

(73) Assignee: **SUMITOMO ELECTRIC HARDMETAL CORP.**, Itami-shi (JP)

DESCRIPTION

(**) Term: **14 Years**

FIG. 1 is a front view of a tip for cutting tool of a first embodiment showing our design, FIG. 2 is a rear view thereof; FIG. 3 is a top plan view thereof; FIG. 4 is a bottom plan view thereof; FIG. 5 is a right side view thereof; FIG. 6 is a left side view thereof; FIG. 7 is a cross sectional view taken along line 7-7 of FIG. 1,

(21) Appl. No.: **29/514,226**

(22) Filed: **Jan. 9, 2015**

(30) **Foreign Application Priority Data**

Jul. 9, 2014	(JP)	2014-015033
Jul. 9, 2014	(JP)	2014-015034
Jul. 9, 2014	(JP)	2014-015035
Jul. 9, 2014	(JP)	2014-015036

(Continued)

(51) **LOC (10) Cl.** **15-09**

(52) **U.S. Cl.**
USPC **D15/139**

(58) **Field of Classification Search**
USPC D8/20, 70; D15/126, 131, 138, 139, 140
CPC ... B23B 27/007; B23B 27/143; B23B 27/145;
B23B 27/1622; B23B 2200/048; B23B
2200/085; B23B 2200/087; B23B

(Continued)

(56) **References Cited**

U.S. PATENT DOCUMENTS

D341,604 S	*	11/1993	Hessman	D15/139
D347,642 S	*	6/1994	Lindberg	D15/139

(Continued)

Primary Examiner — Patricia Palasik

FIG. 8 is an enlarged view of 8-a portion of FIG. 1, FIG. 9 is an enlarged view of 9-a portion of FIG. 1, FIG. 10 is an enlarged view of 10-a portion of FIG. 1, FIG. 11 is an enlarged view of 11-b portion of FIG. 5, FIG. 12 is an enlarged view of 12-b portion of FIG. 5, FIG. 13 is a perspective view thereof; FIG. 14 is a referential perspective view showing the state in use thereof; FIG. 15 is a front view of a tip for cutting tool of a second embodiment showing our design, FIG. 16 is a rear view thereof; FIG. 17 is a top plan view thereof; FIG. 18 is a bottom plan view thereof; FIG. 19 is a right side view thereof; FIG. 20 is a left side view thereof; FIG. 21 is a cross sectional view taken along line 21-21 of Fig. 15, FIG. 22 is an enlarged view of 22-a portion of FIG. 15, FIG. 23 is an enlarged view of 23-a portion of FIG. 15, FIG. 24 is an enlarged view of 24-a portion of FIG. 15, FIG. 25 is an enlarged view of 25-b portion of FIG. 19, FIG. 26 is an enlarged view of 26-b portion of FIG. 19, FIG. 27 is a perspective view thereof; and,

(Continued)

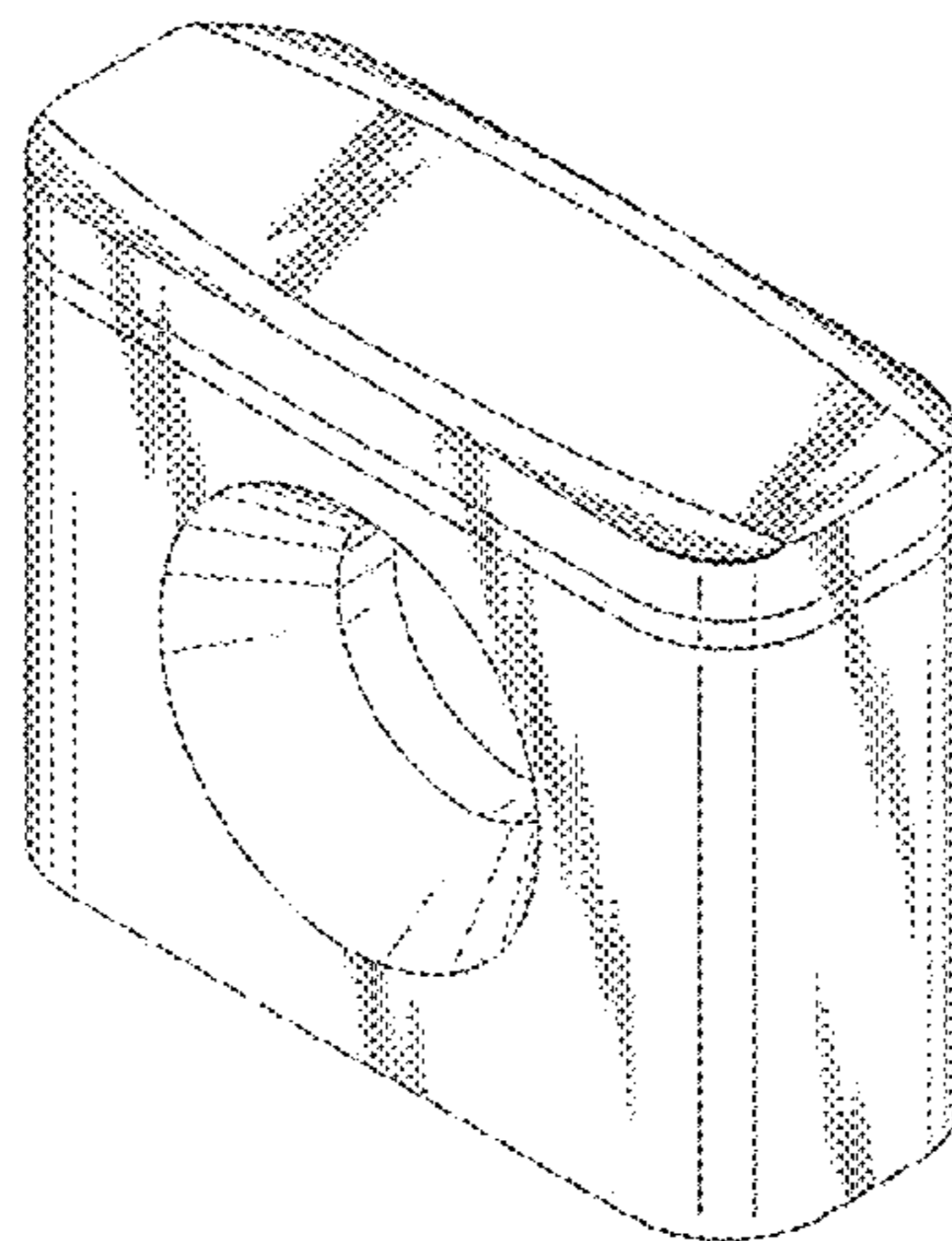


FIG. 28 is a referential perspective view showing the state in use thereof.

(56)

1 Claim, 14 Drawing Sheets

(30) **Foreign Application Priority Data**

Jul. 9, 2014 (JP) 2014-015037
 Jul. 9, 2014 (JP) 2014-015038

(58) **Field of Classification Search**

CPC 2200/204; B23B 2200/321; B23B
 2200/0423; B23C 5/06; B23C 5/15; B23C
 5/207; B23C 5/205; B23C 2200/086;
 B23C 2200/125; B23C 2200/128; B23C
 2200/362; B23C 2200/367; B23C
 2200/0422; B23C 2200/0416; B23C
 2200/0477; B23C 2200/0494

See application file for complete search history.

References Cited

U.S. PATENT DOCUMENTS

D362,859	S	*	10/1995	Wiman	D15/139
D364,178	S	*	11/1995	Hansson	D15/139
D379,360	S	*	5/1997	Satran	D15/139
D404,406	S	*	1/1999	Satran	D15/139
D485,852	S	*	1/2004	Arvidsson	D15/139
D486,505	S	*	2/2004	Arvidsson	D15/139
D487,281	S	*	3/2004	Roman	D15/139
D555,684	S	*	11/2007	Waggle	D15/139
D637,214	S	*	5/2011	Saito	D15/139
D638,041	S	*	5/2011	Saito	D15/139
D688,716	S	*	8/2013	Lampe	D15/139
D736,841	S	*	8/2015	Jung	D15/139
D748,703	S	*	2/2016	Nam	D15/139
D752,664	S	*	3/2016	Jung	D15/139
D755,267	S	*	5/2016	Lee	D15/139

* cited by examiner

FIG.1

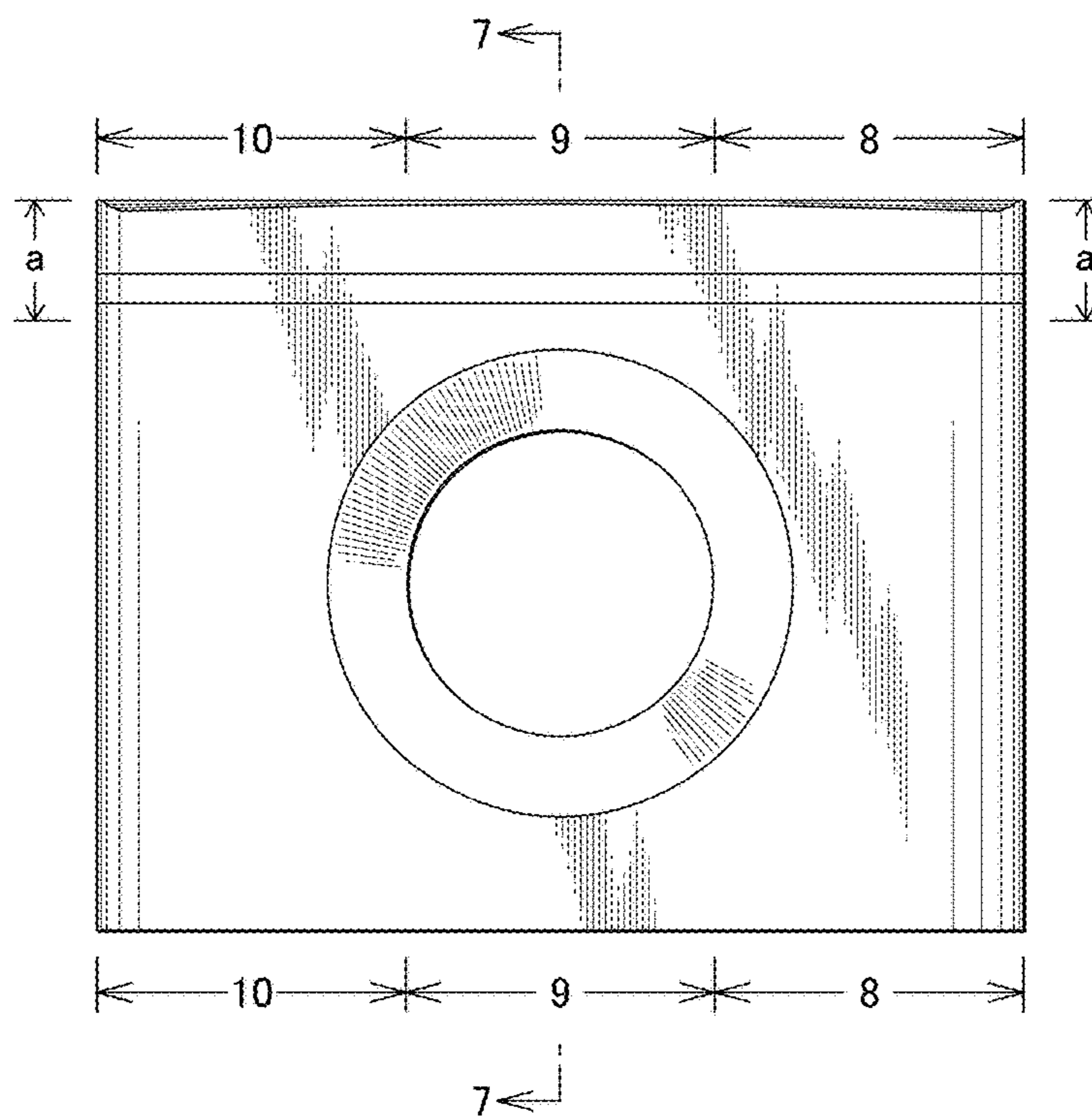


FIG.2

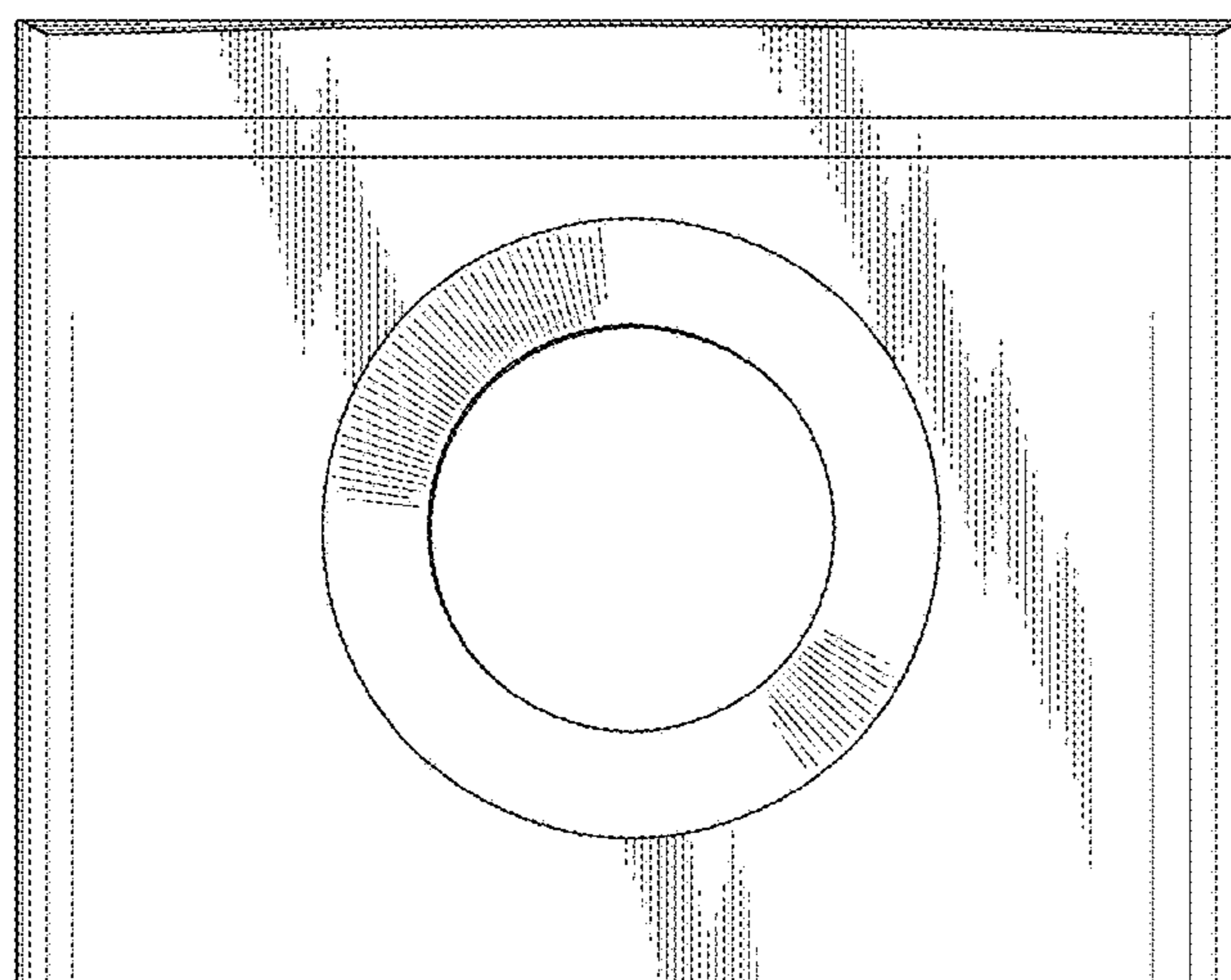


FIG.3

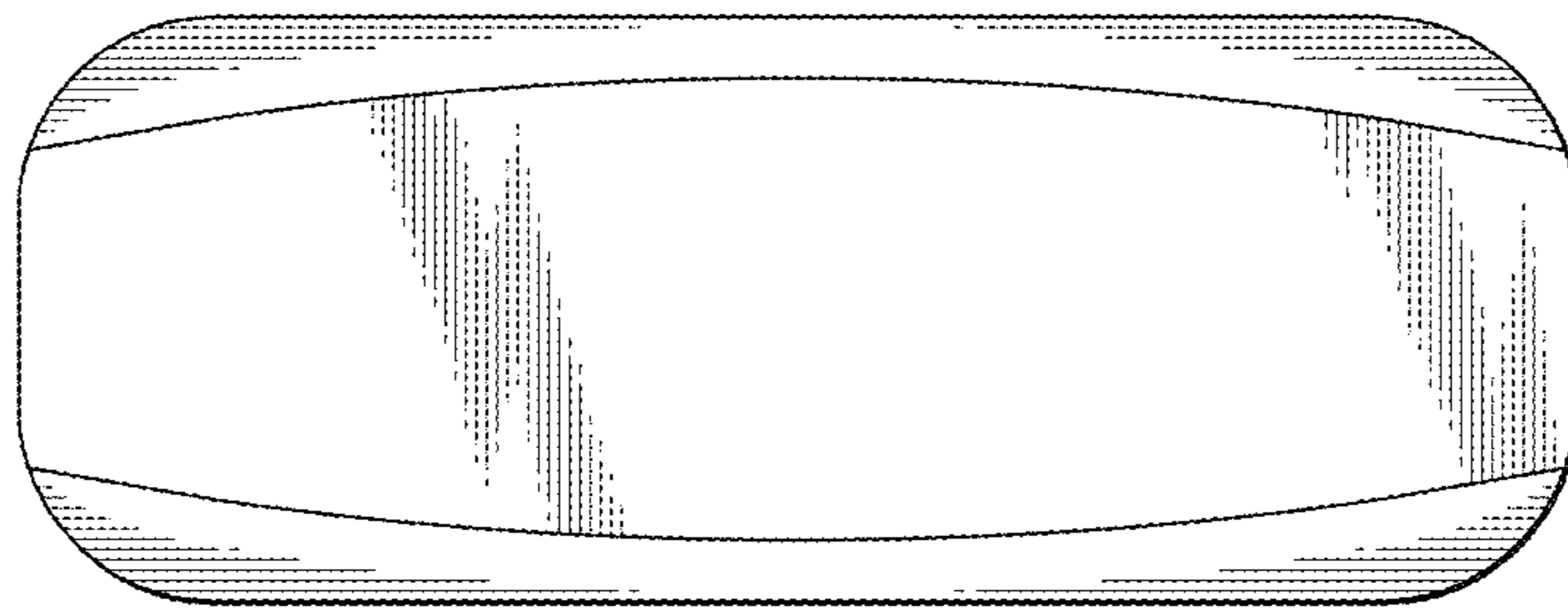


FIG.4

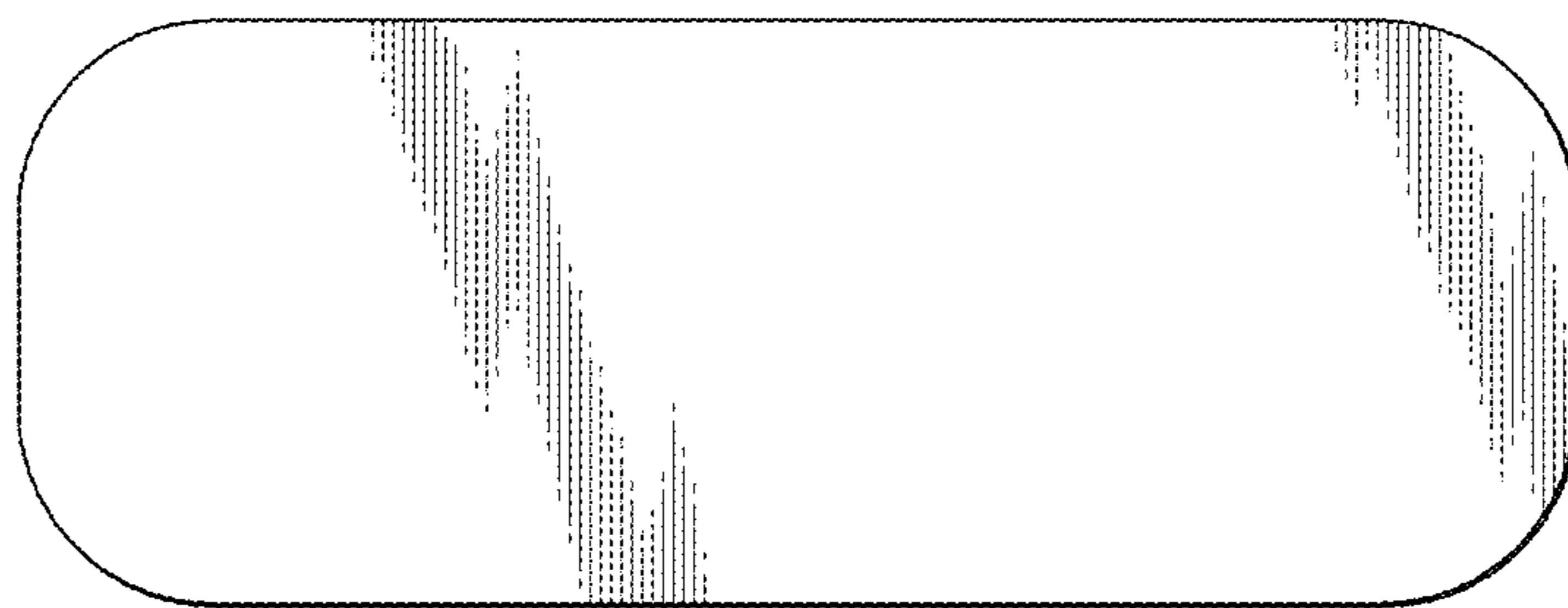


FIG.5

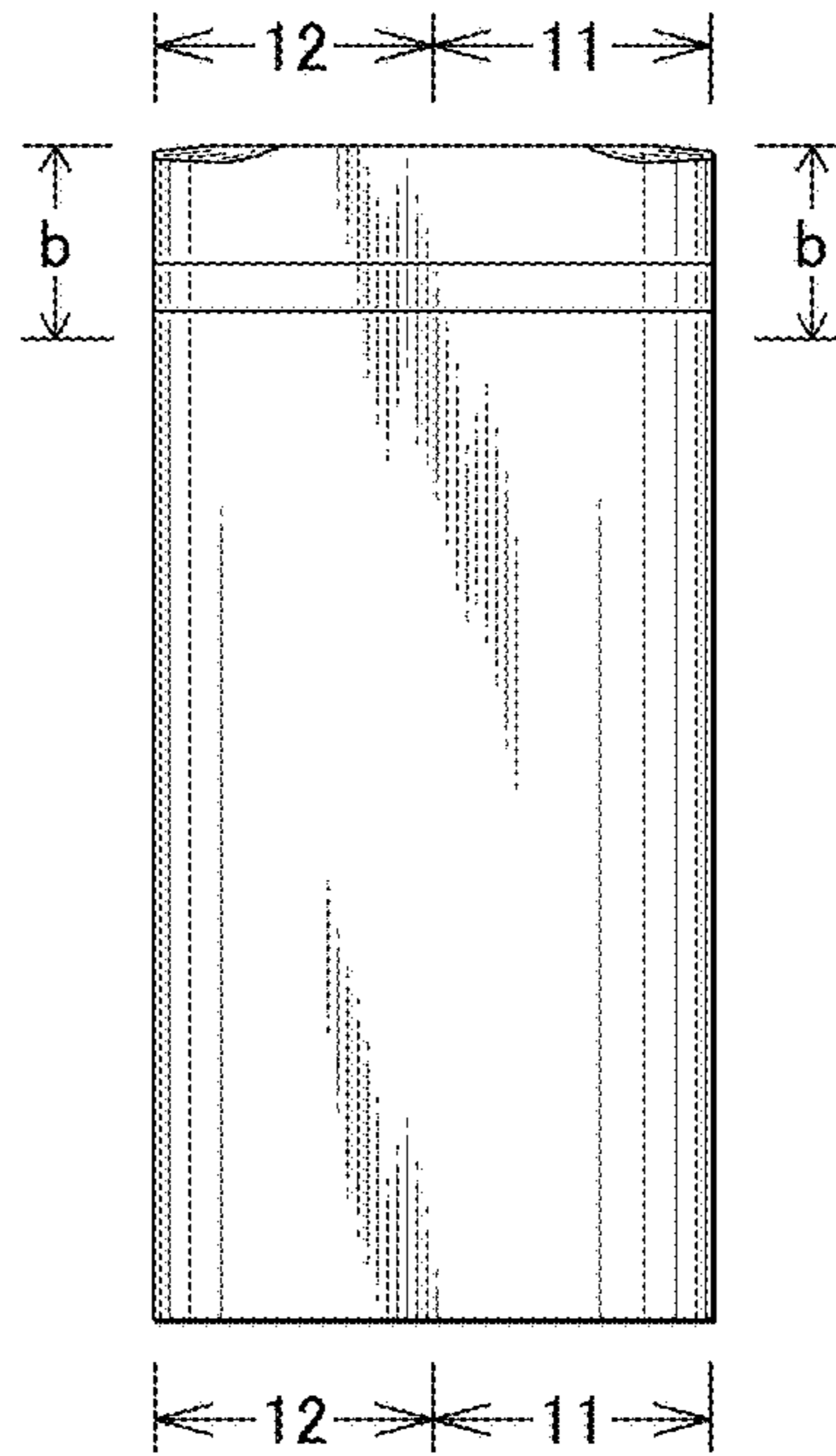


FIG.6

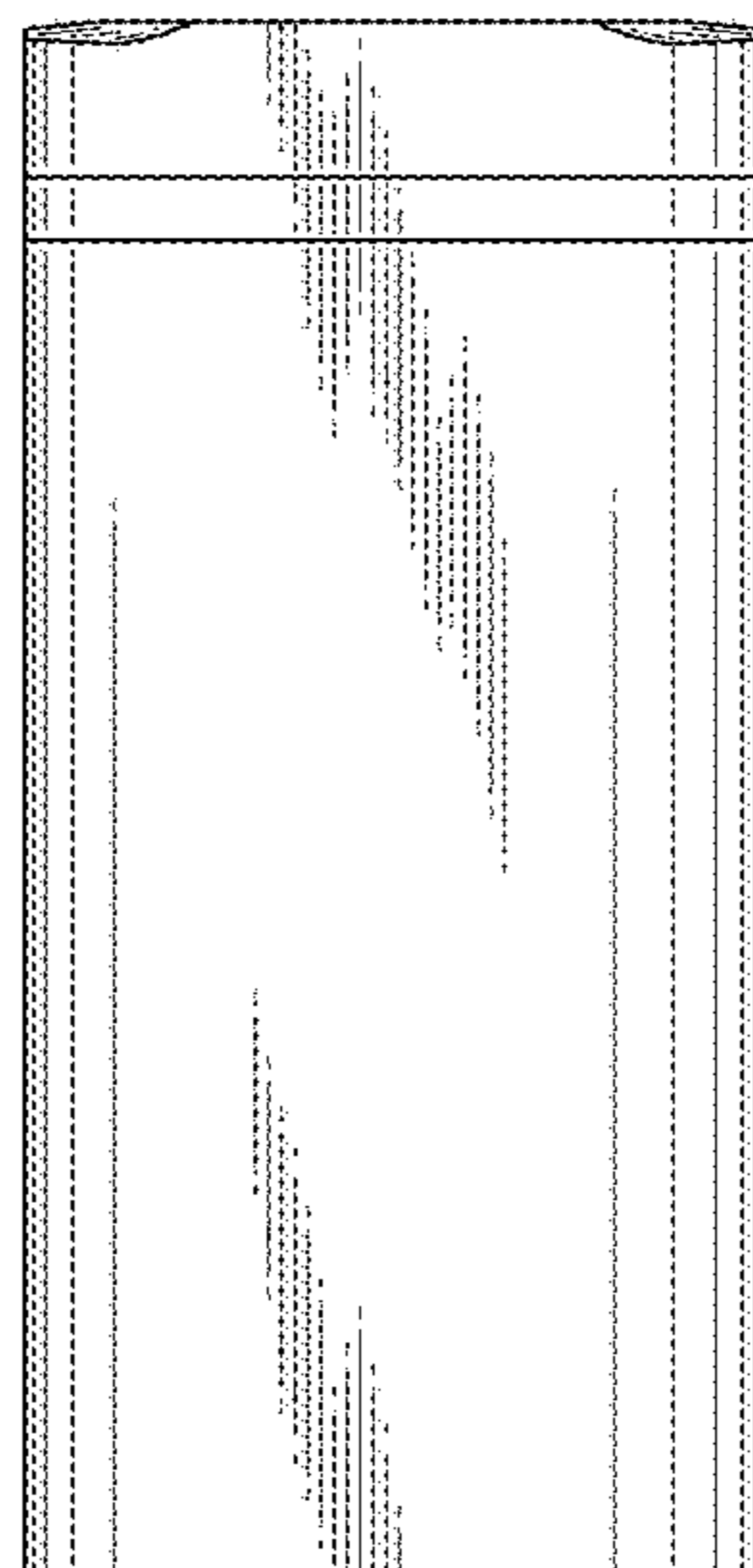


FIG.7

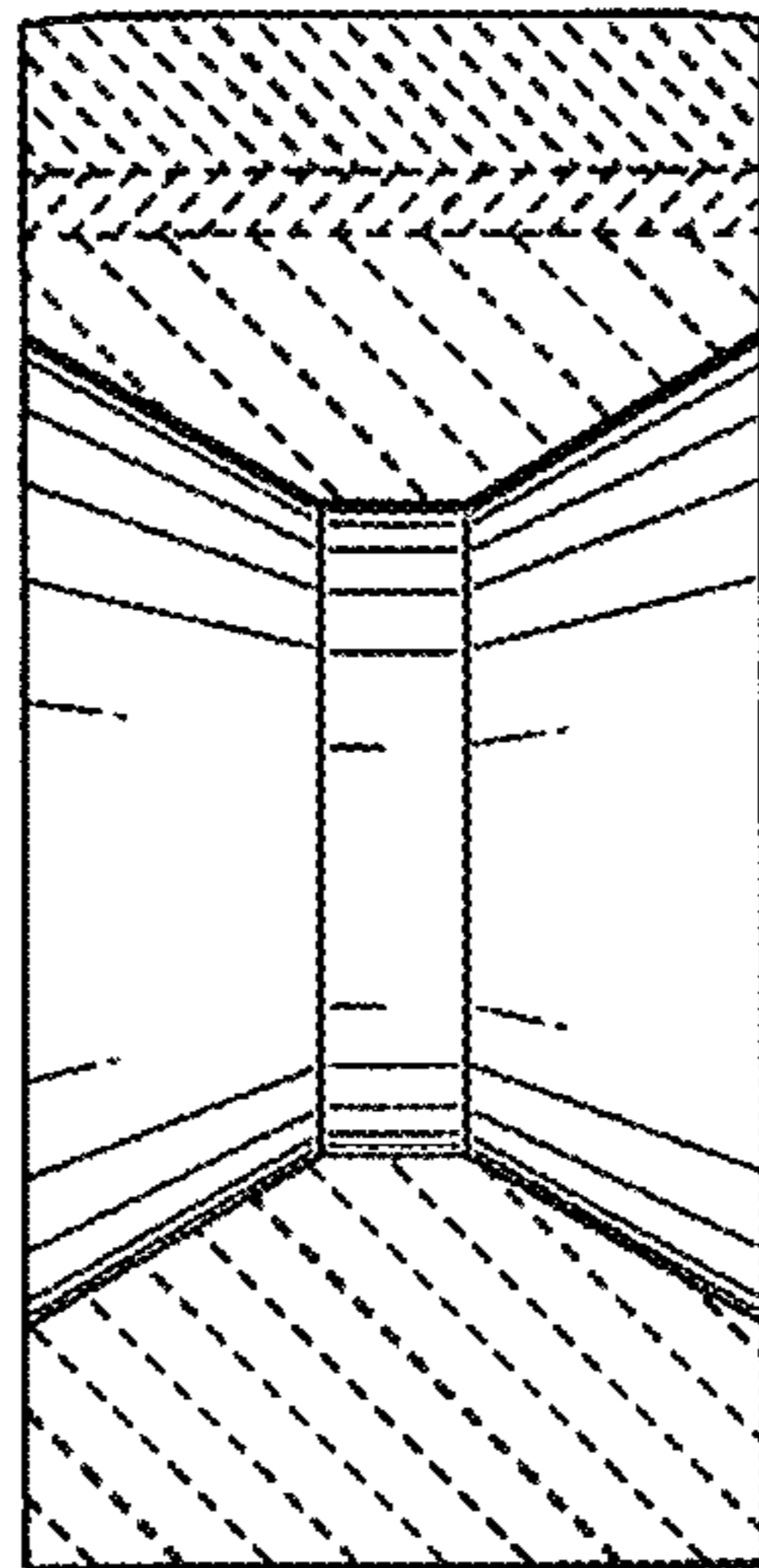


FIG.8

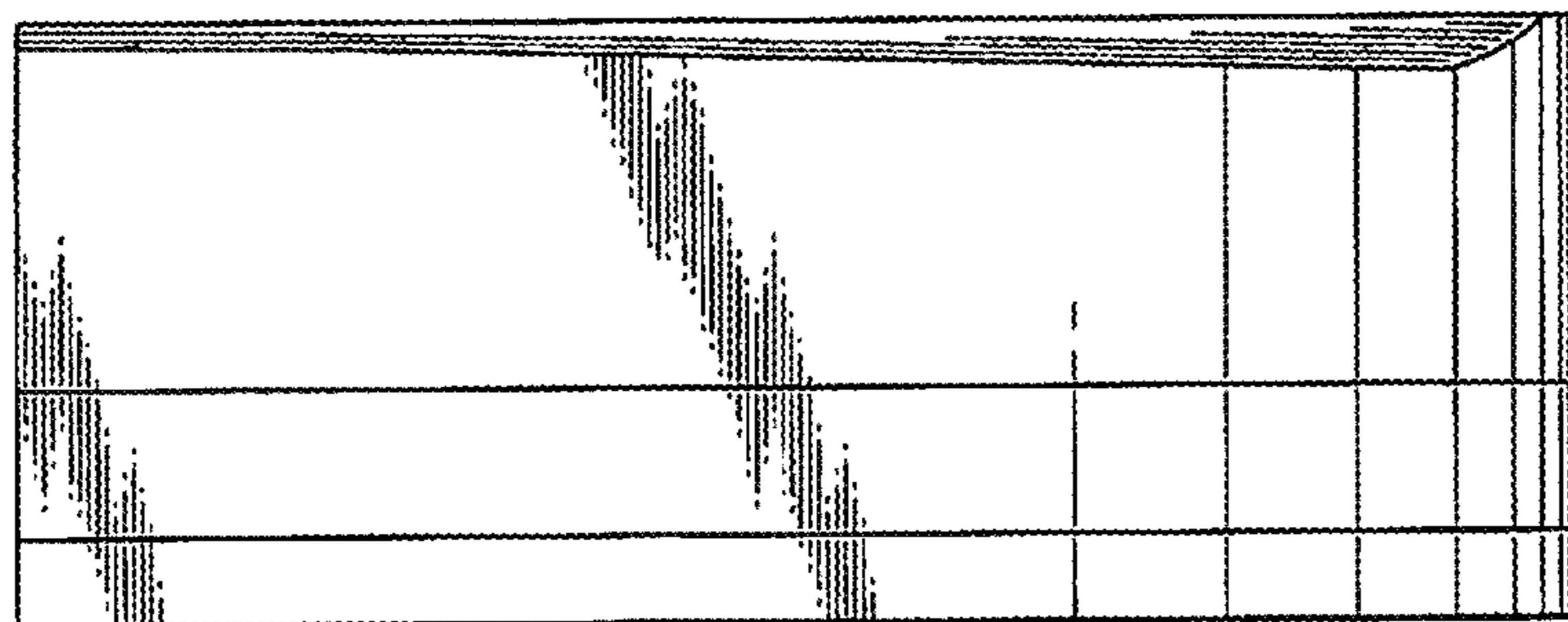


FIG.9

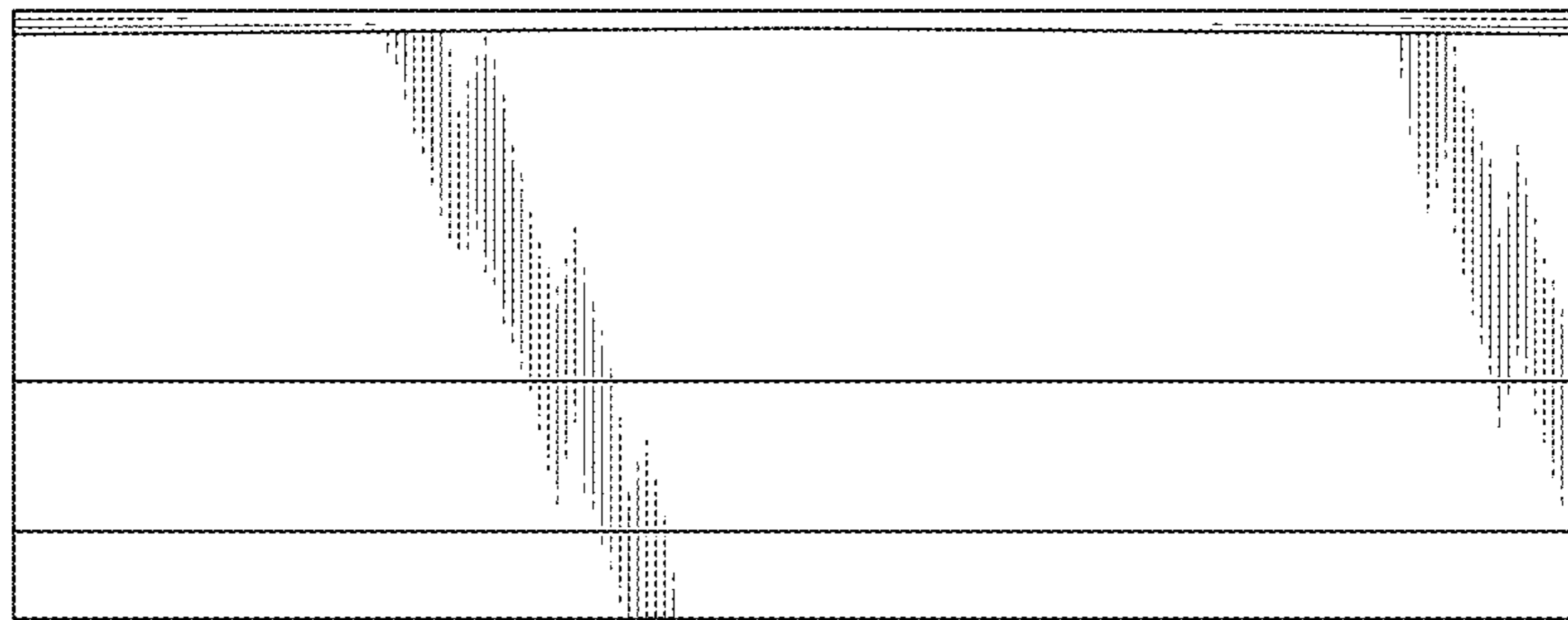


FIG.10

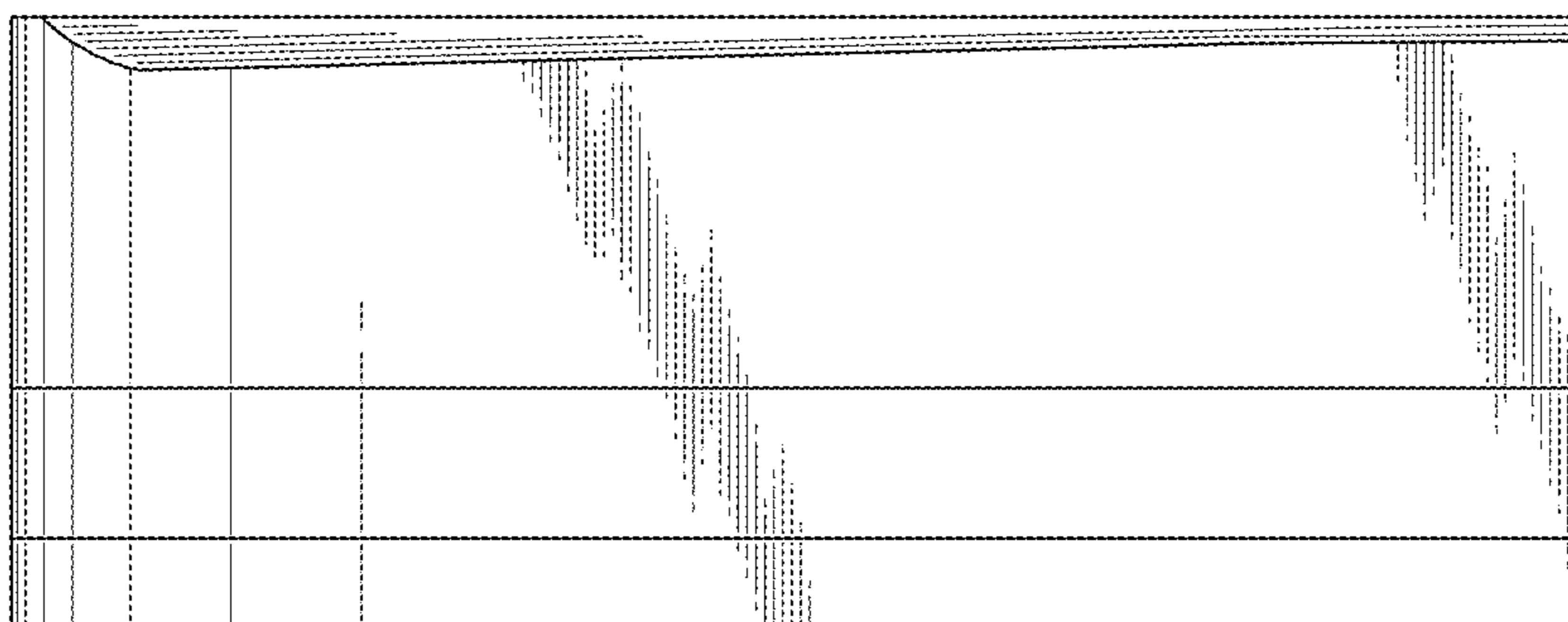


FIG.11

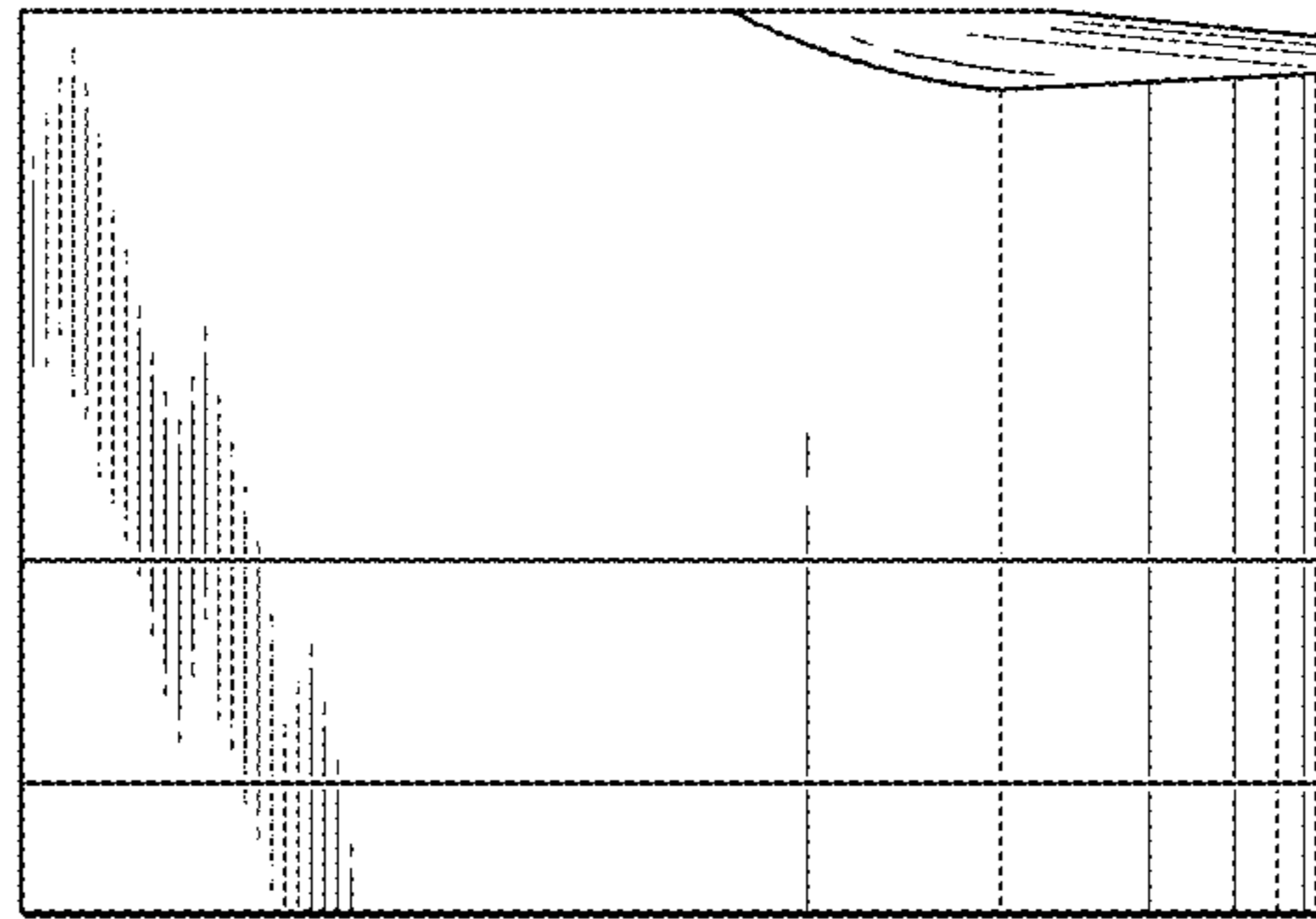


FIG.12

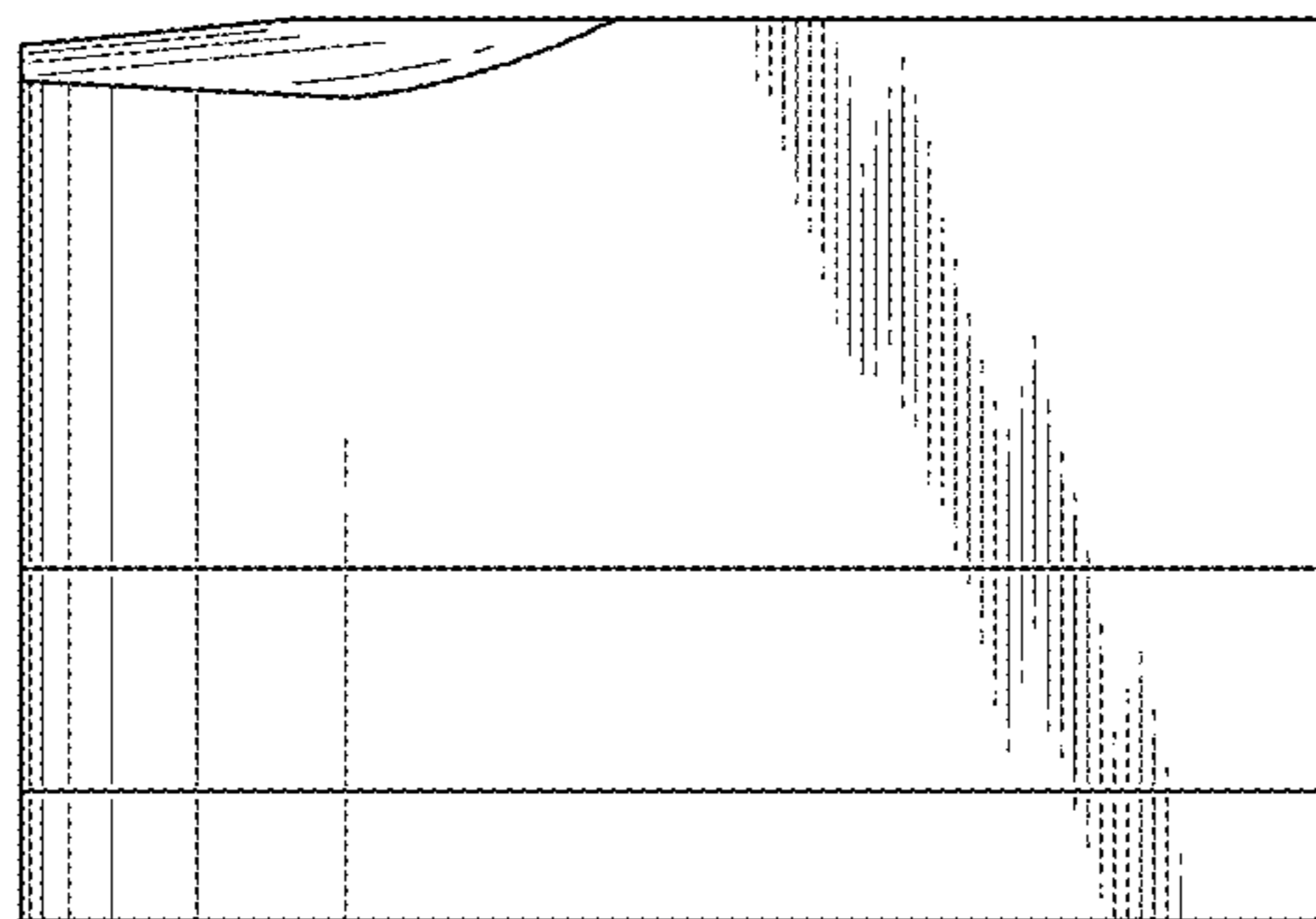


FIG.13

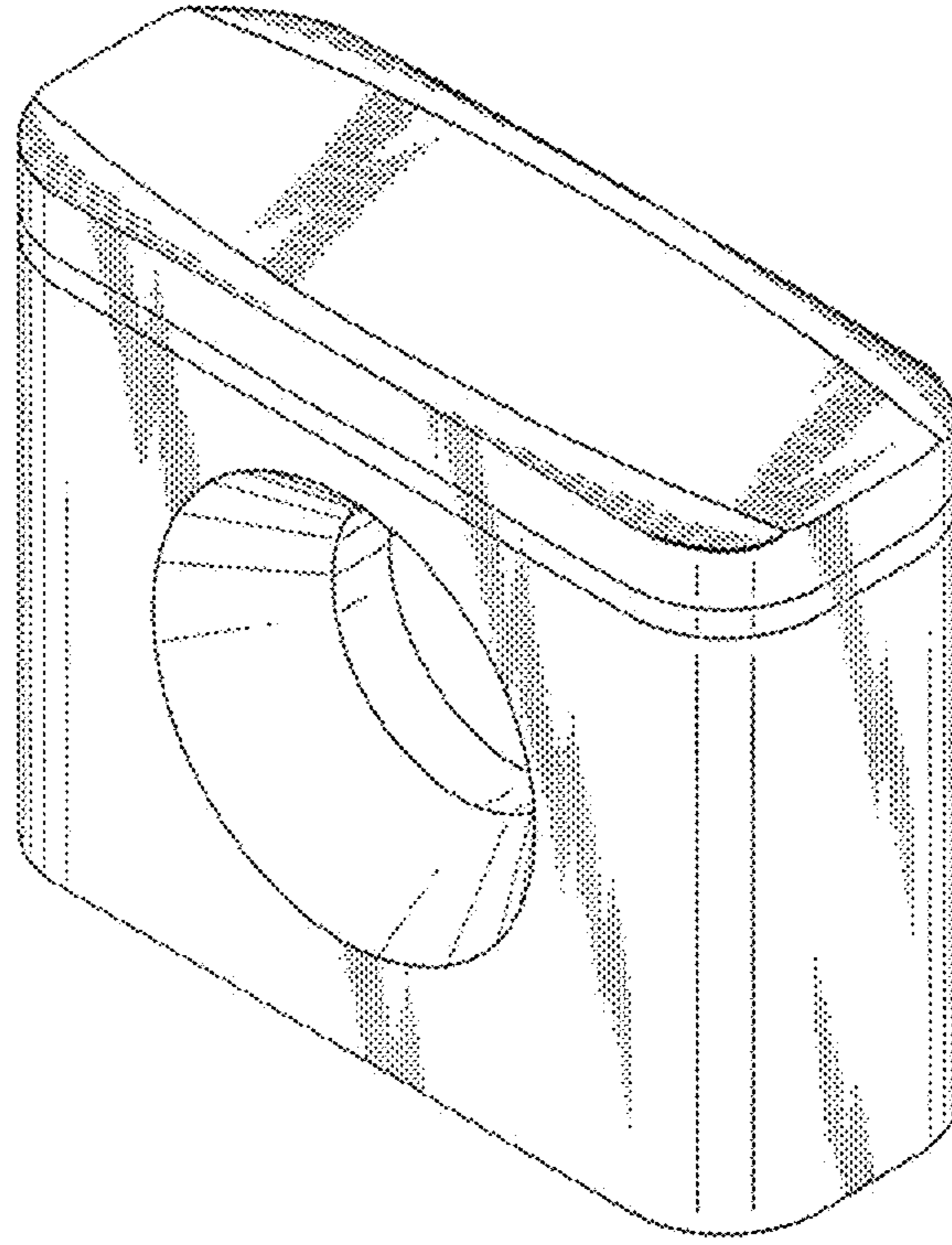


FIG.14

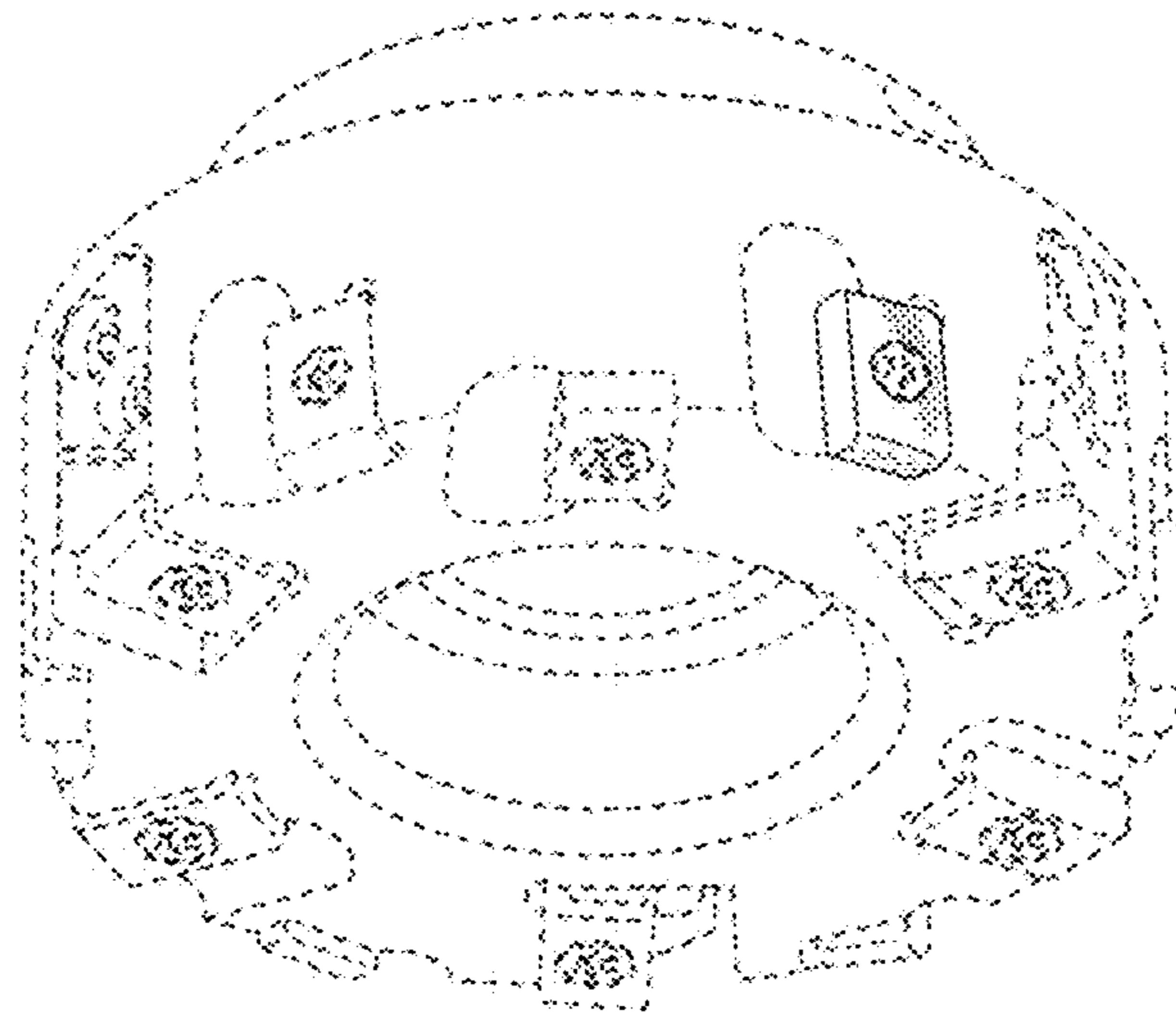


FIG.15

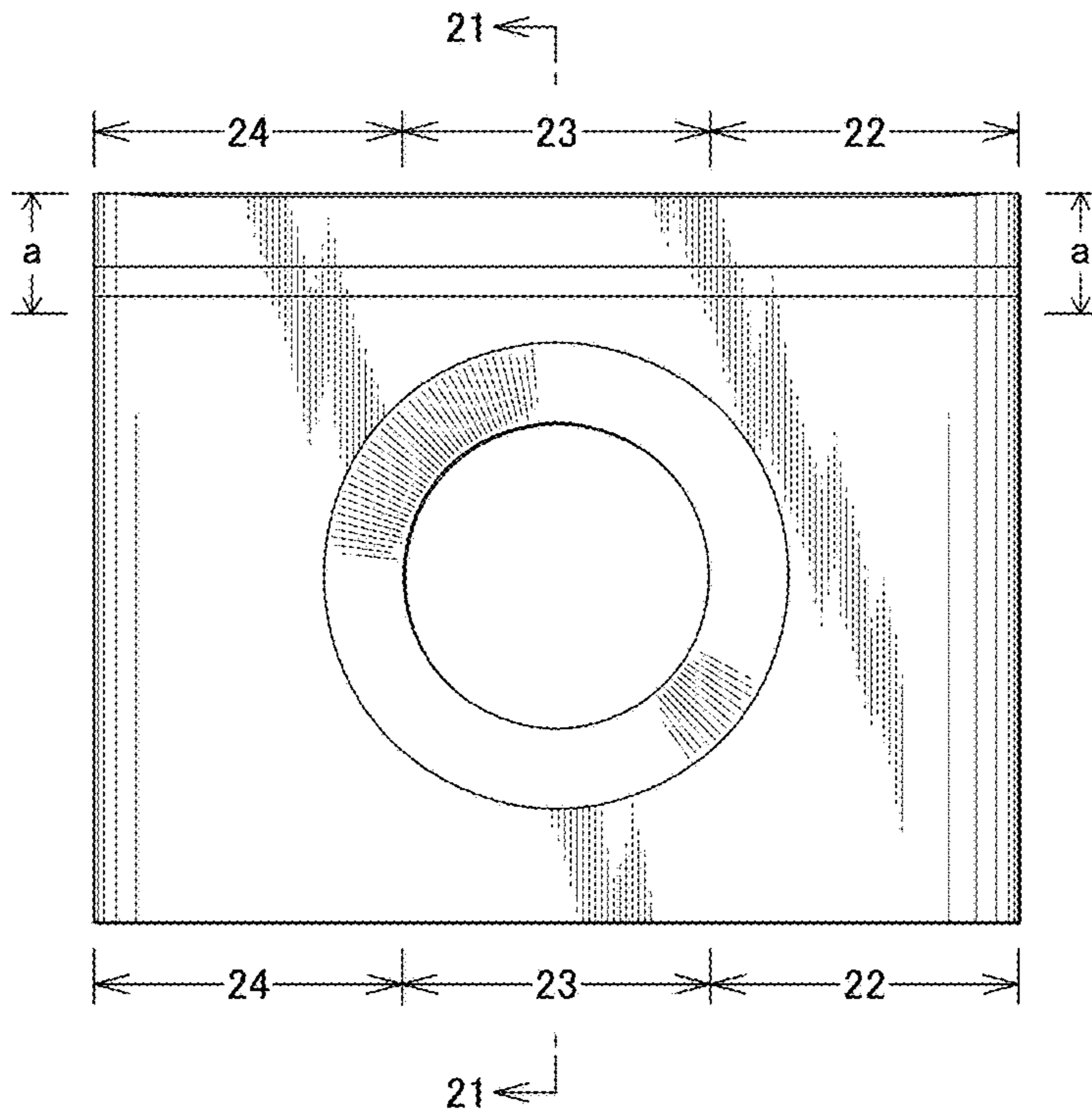


FIG.16

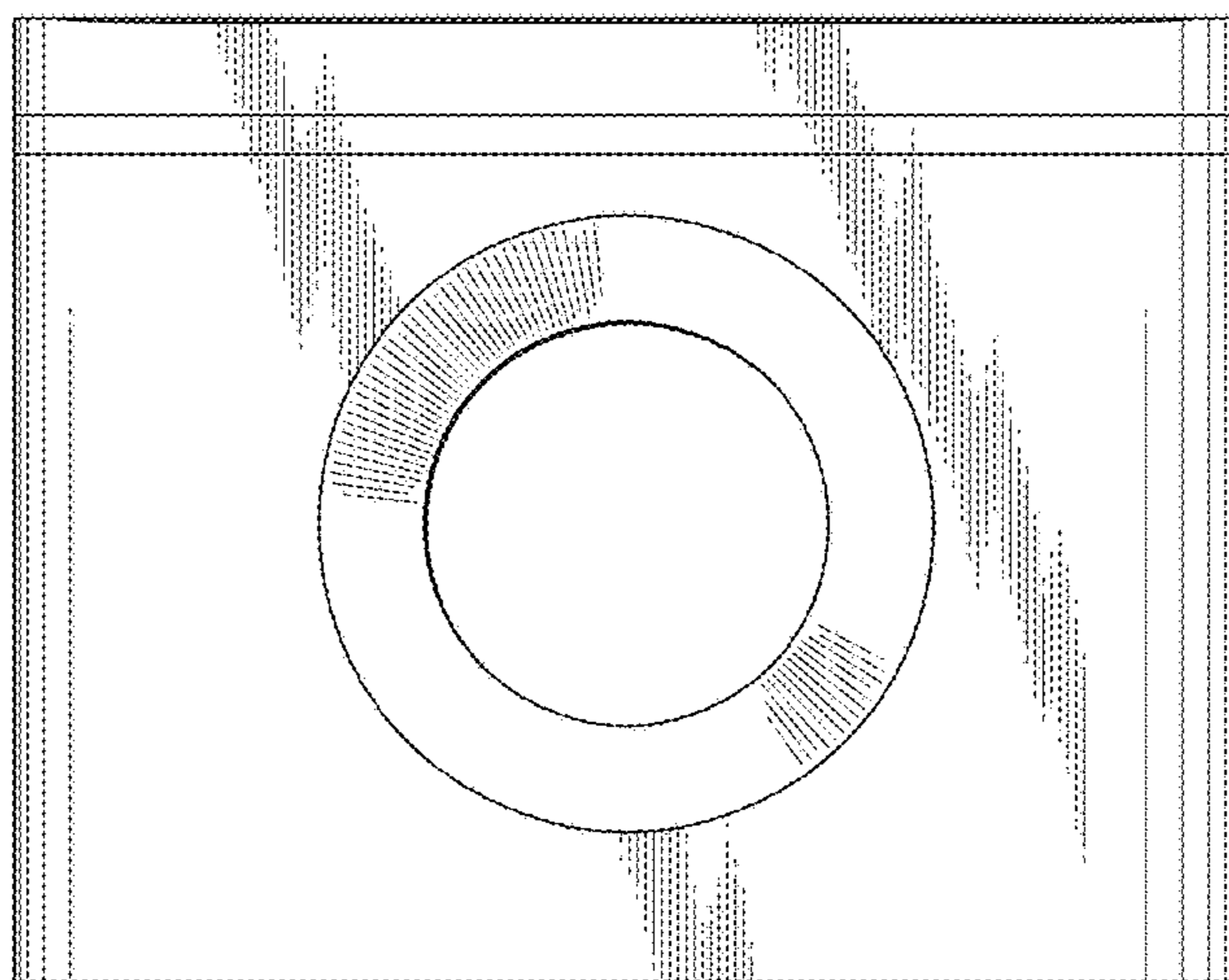


FIG.17

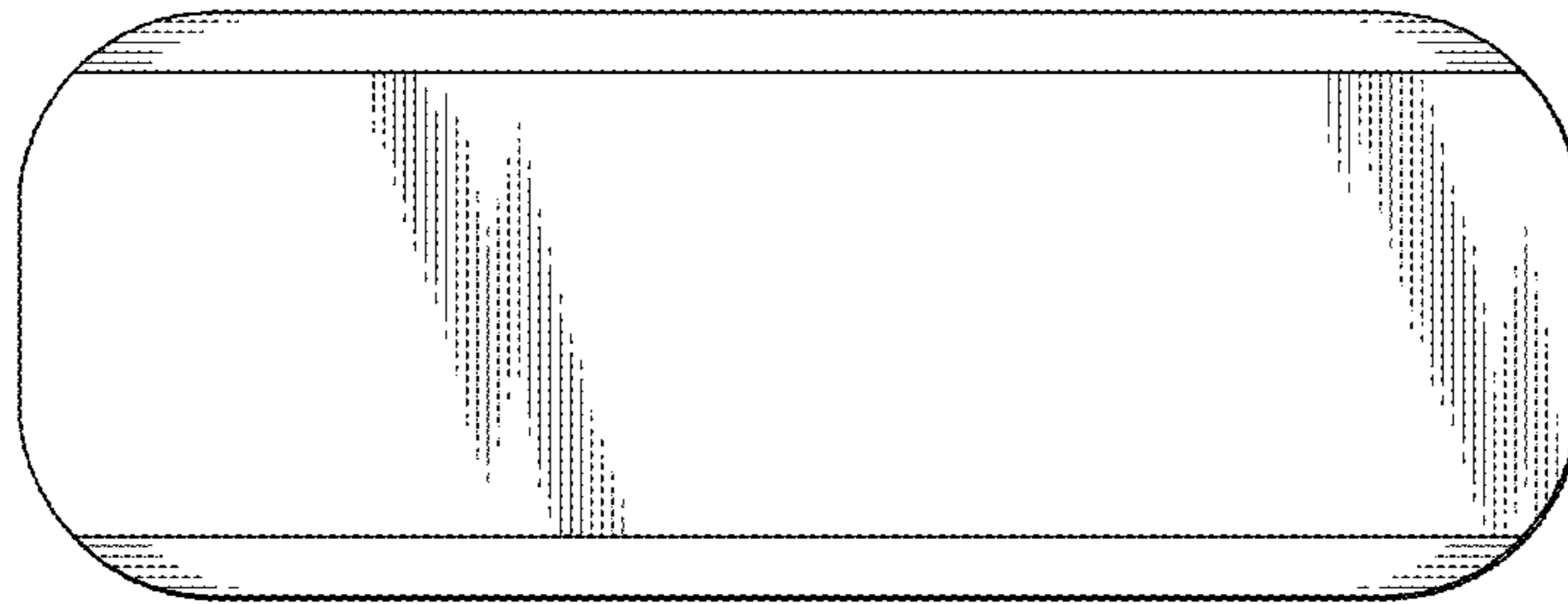


FIG.18

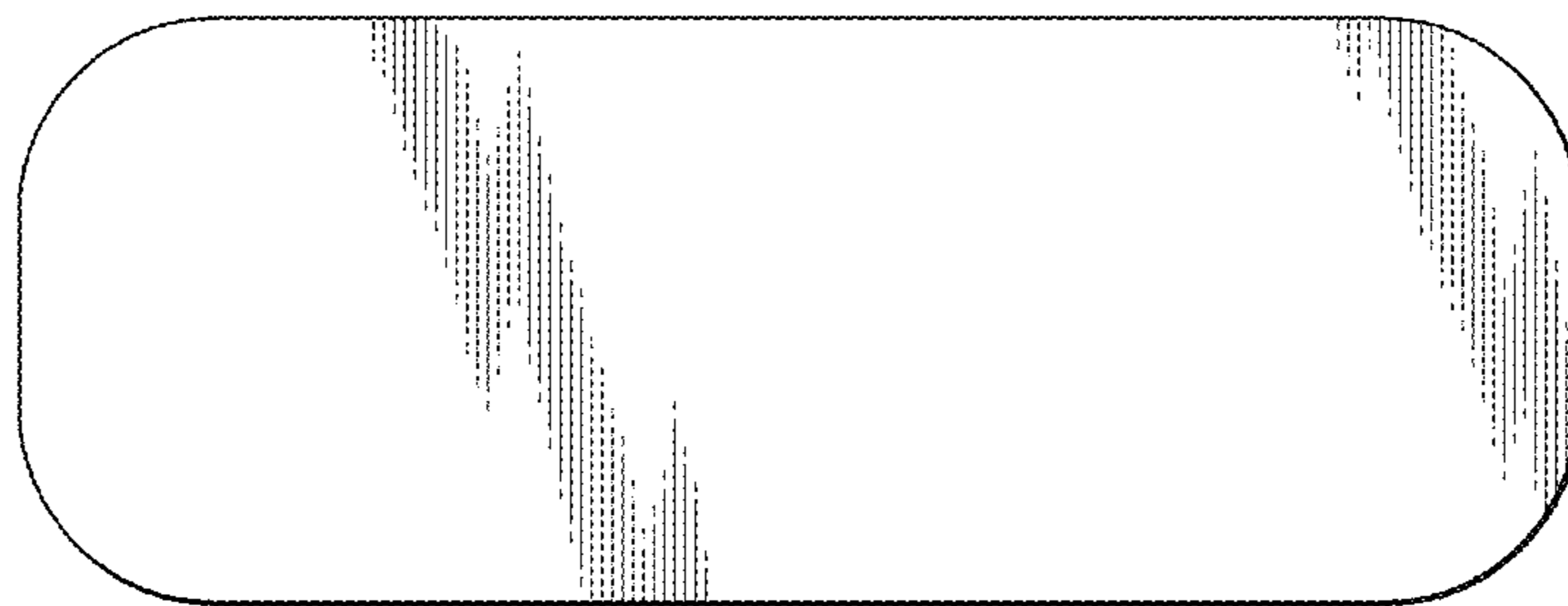


FIG.19

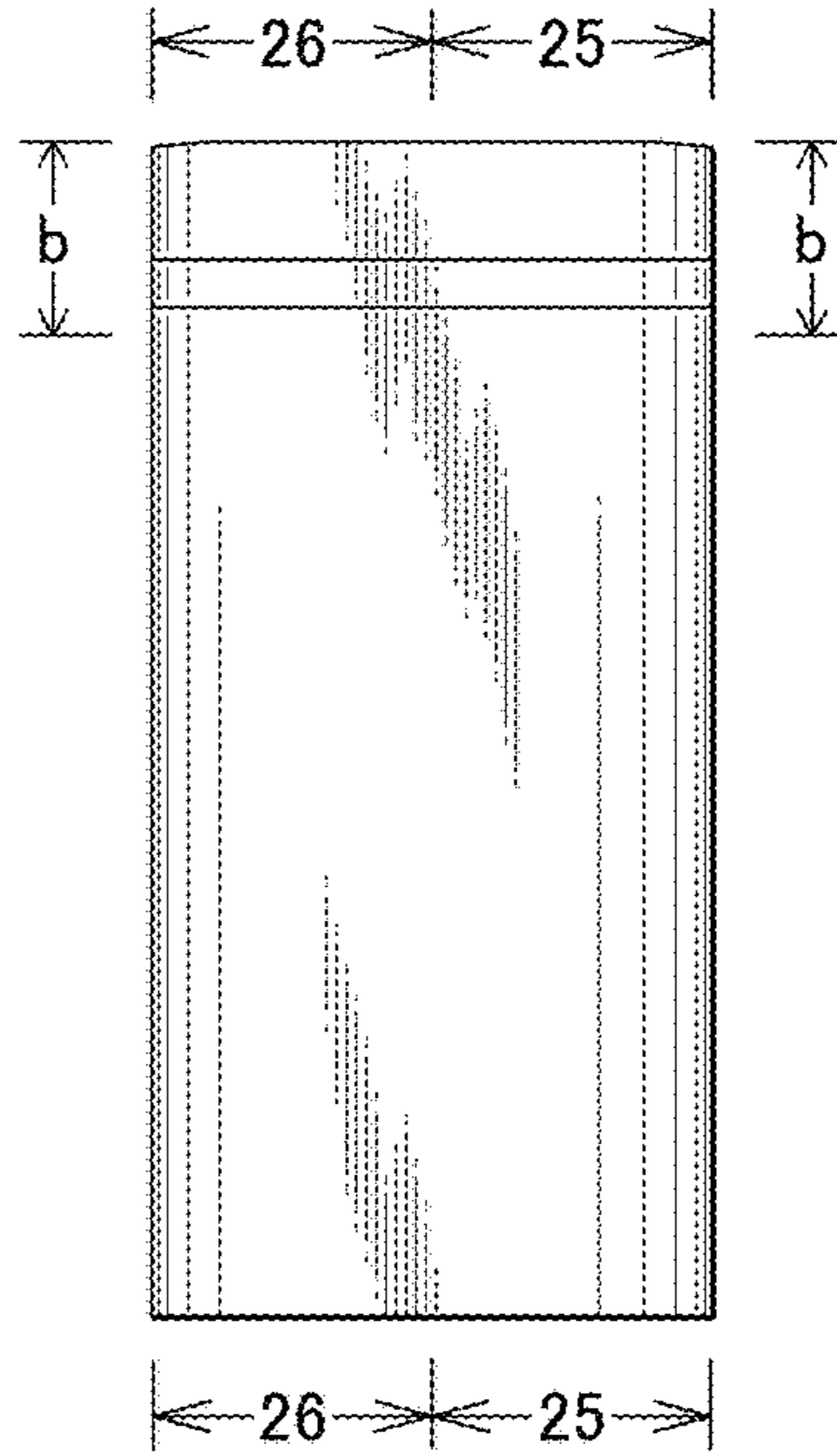


FIG.20

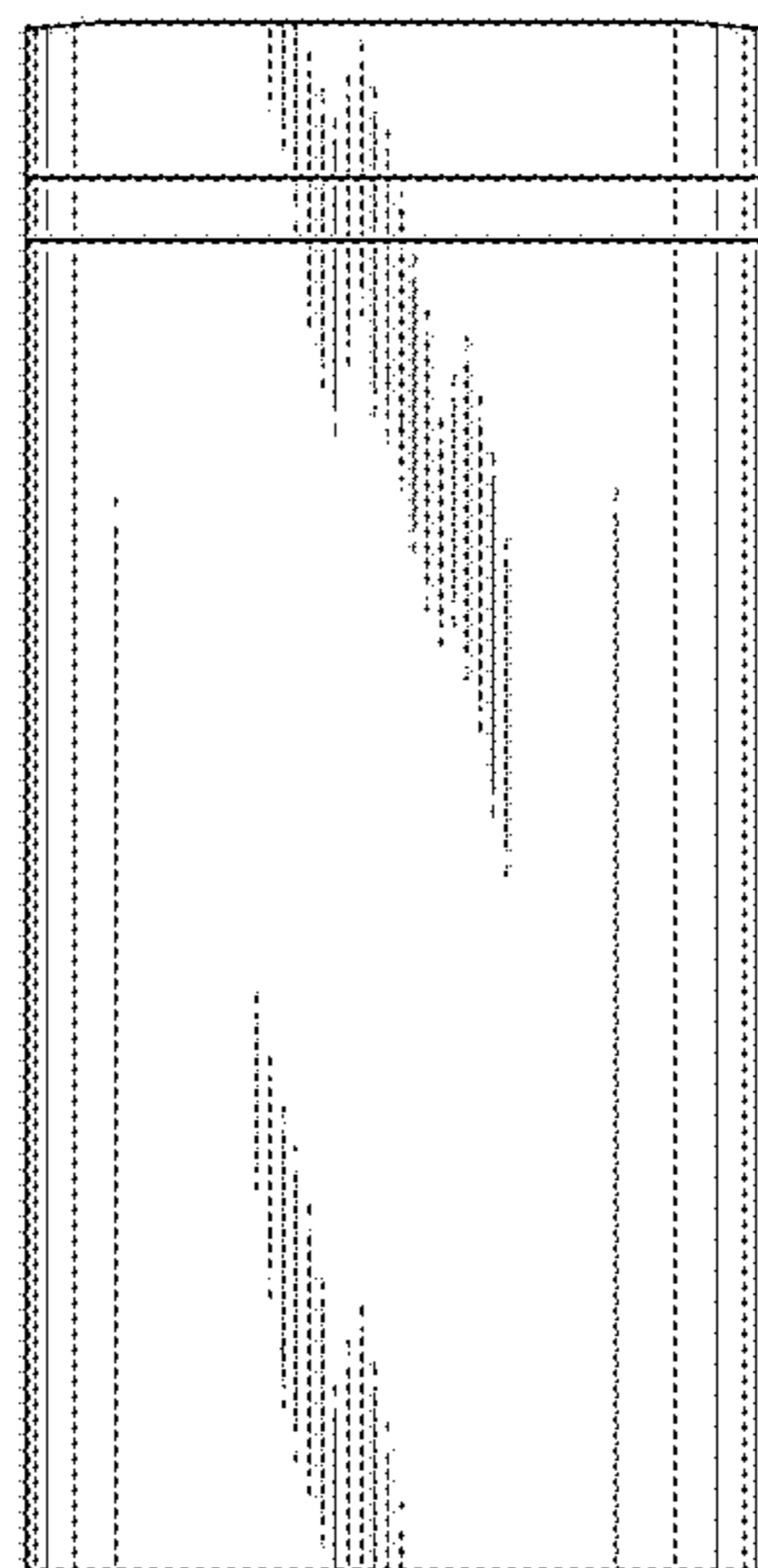


FIG.21

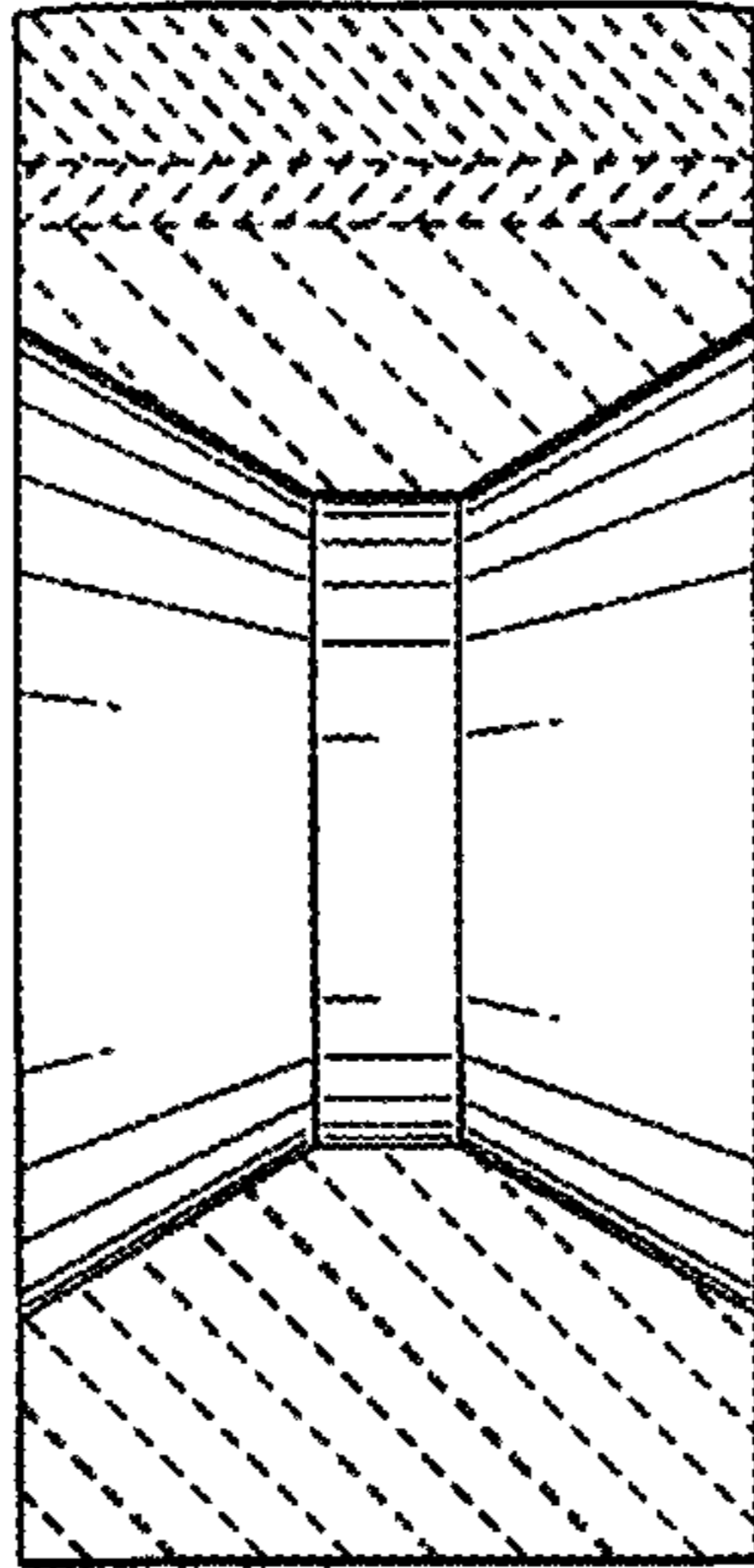


FIG.22

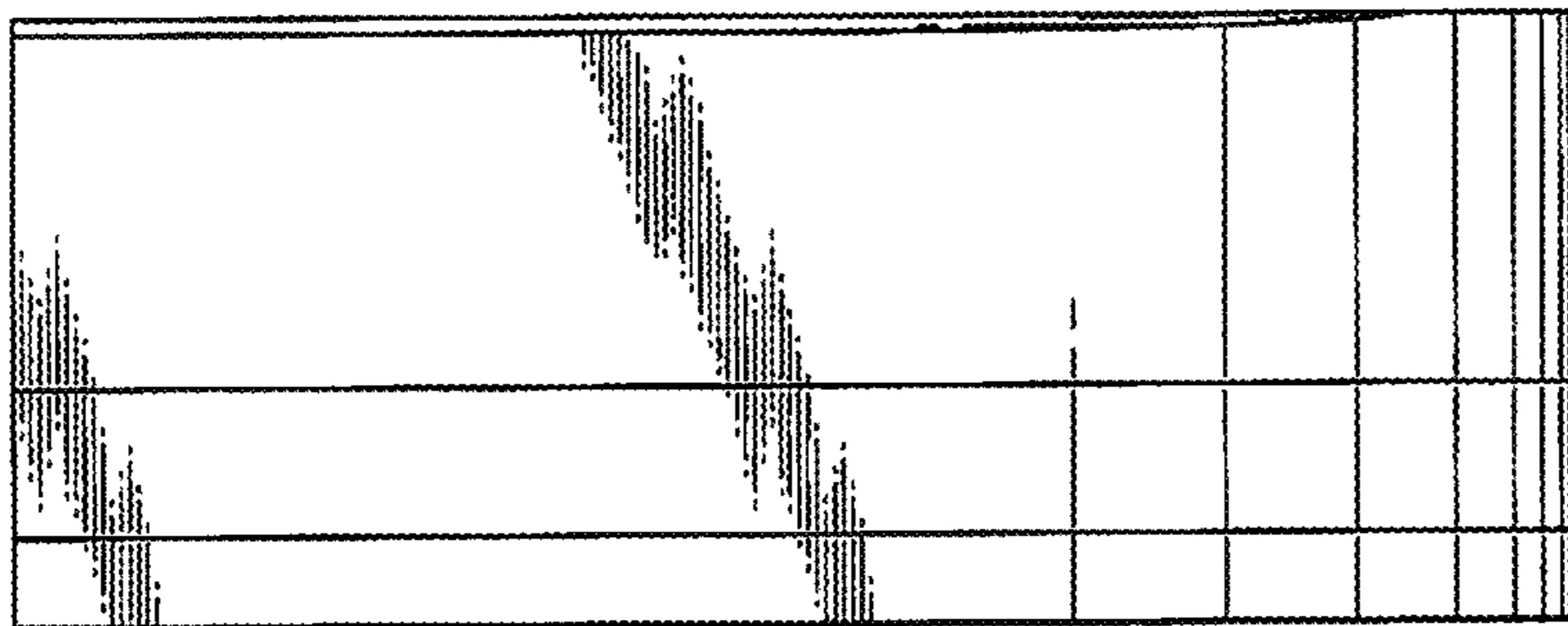


FIG.23

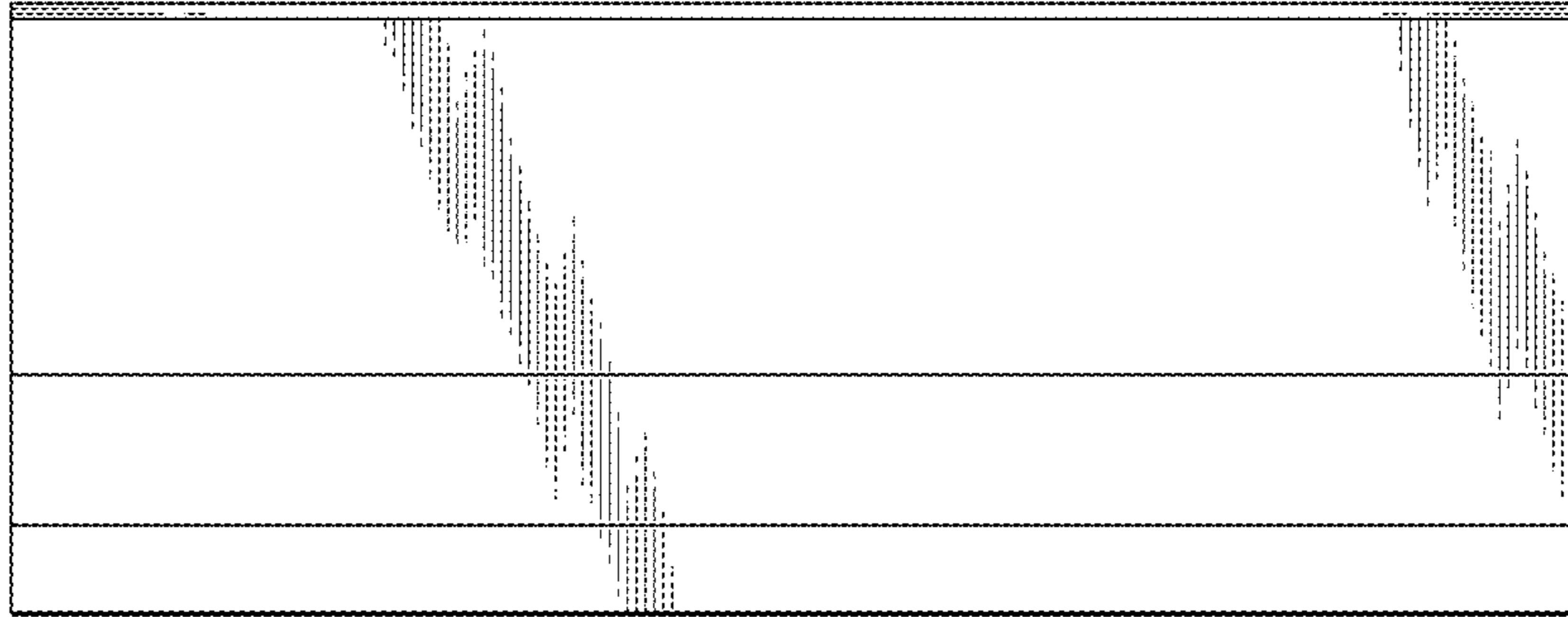


FIG.24

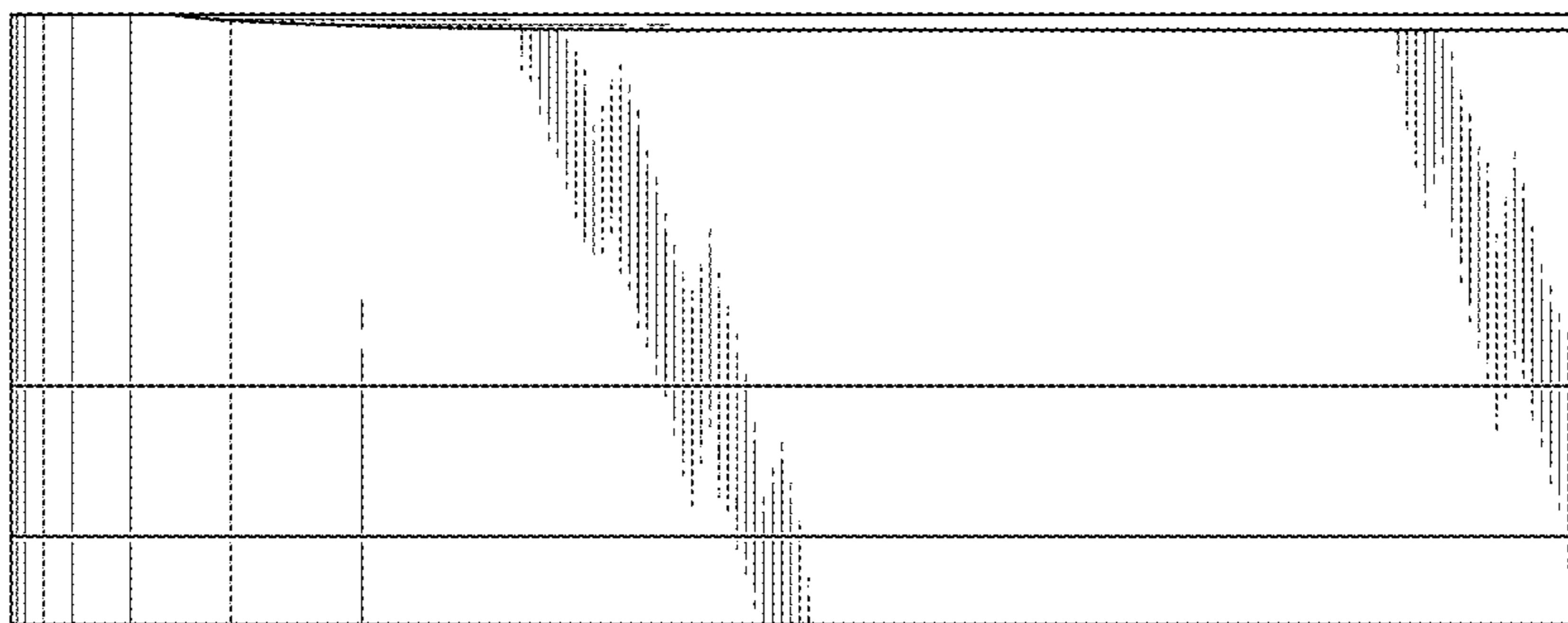


FIG.25

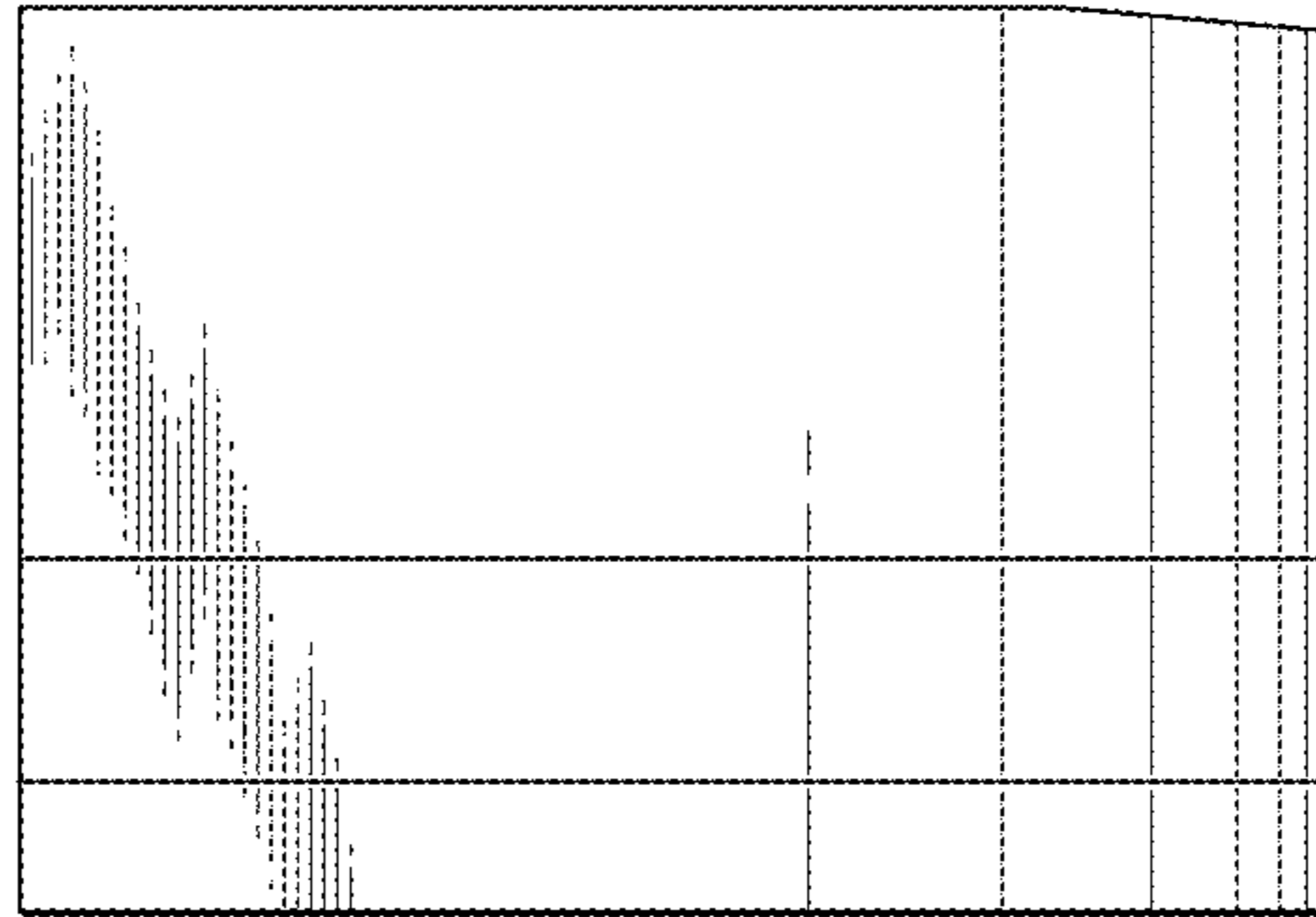


FIG.26

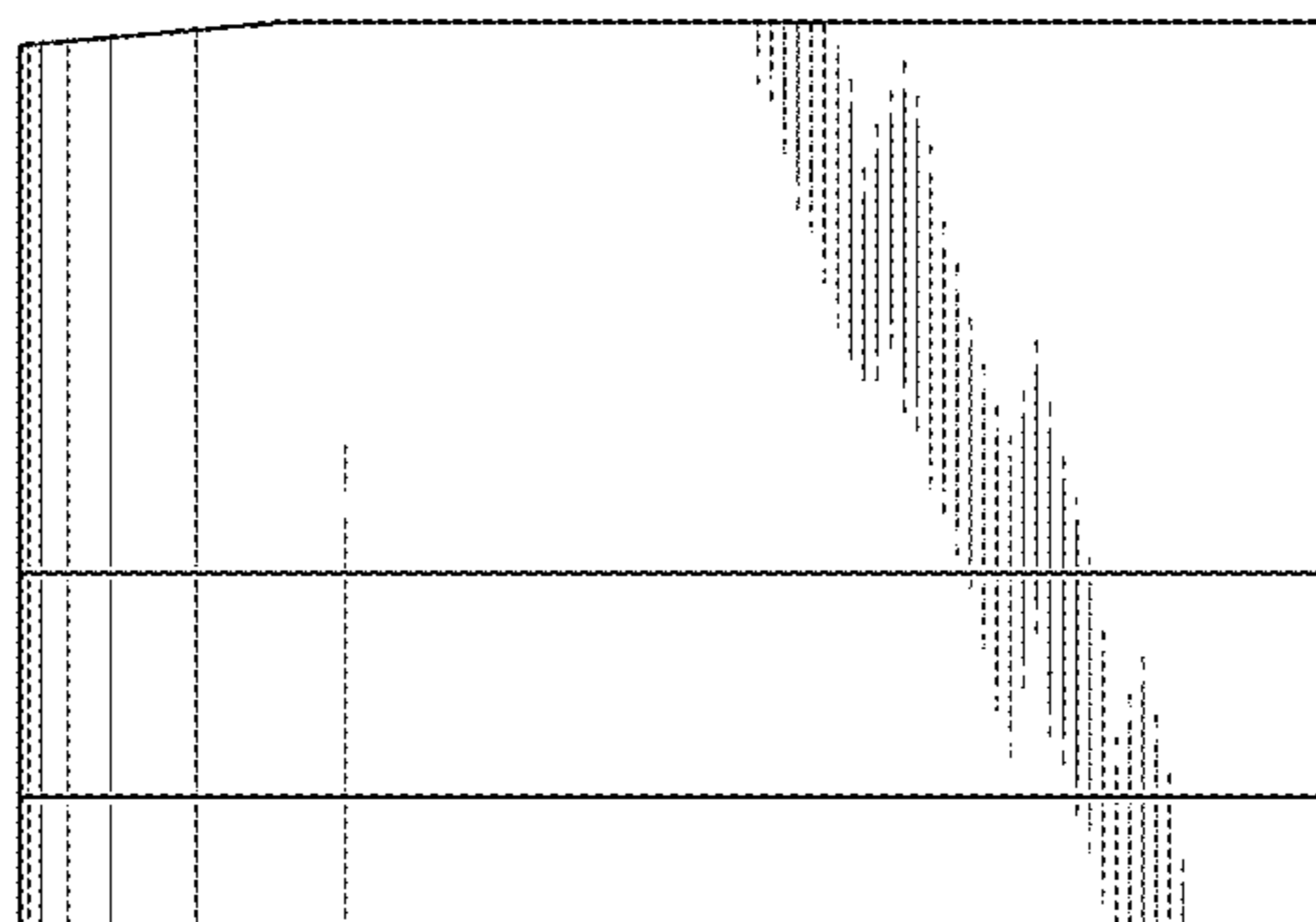


FIG.27

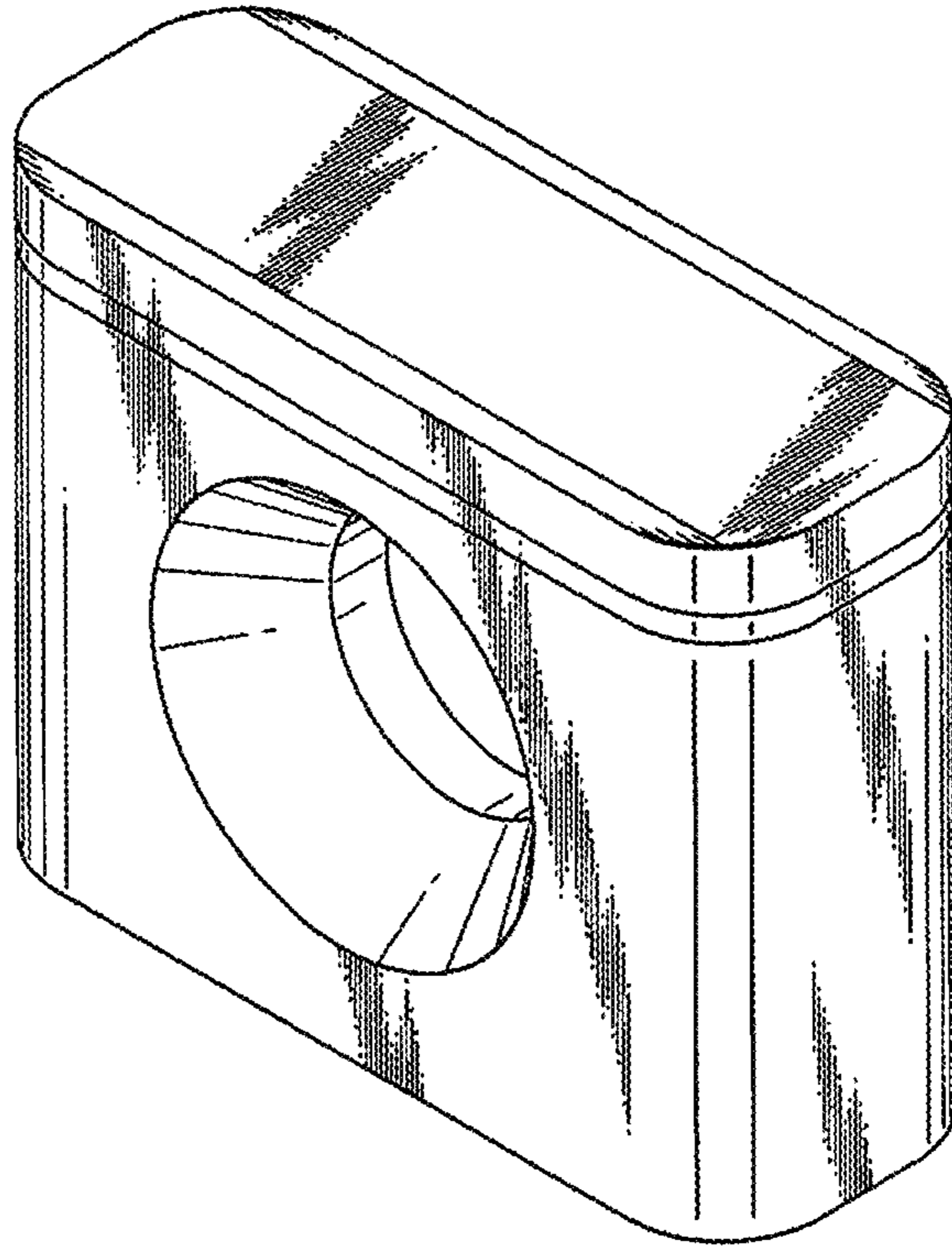


FIG.28

