



US00D789427S

(12) **United States Design Patent** (10) **Patent No.:** **US D789,427 S**
Jackson et al. (45) **Date of Patent:** **** Jun. 13, 2017**

(54) **SENSOR HOUSING OF AN AGRICULTURAL WORK VEHICLE**

(71) Applicant: **CNH Industrial America LLC**, New Holland, PA (US)

(72) Inventors: **Dwayne St. George Jackson**, Plainfield, IL (US); **Frank Zsigmond Asztalos**, Orchard Lake, MI (US)

(73) Assignee: **CNH Industrial America LLC**, New Holland, PA (US)

(**) Term: **15 Years**

(21) Appl. No.: **29/567,621**

(22) Filed: **Jun. 10, 2016**

(51) **LOC (10) Cl.** **15-03**

(52) **U.S. Cl.**
USPC **D15/31; D15/28**

(58) **Field of Classification Search**
USPC D15/10, 22-26, 28, 31, 33; 37/455, 442, 37/443, 403, 409; 180/89.1, 89.12, 298, 180/900, 68.5; 414/685, 694, 722, 724
CPC E02F 9/0891; E02F 9/08; B62D 25/10; B60K 11/08; B60K 11/00; F01P 2001/005; F01P 11/10; F01P 1/00
See application file for complete search history.

(56) **References Cited**

U.S. PATENT DOCUMENTS

D447,753 S *	9/2001	Goebert	D15/31
D448,037 S *	9/2001	Westimayer	D15/31
D453,777 S *	2/2002	Williams	D15/33
D455,157 S *	4/2002	Williams	D15/31
D455,764 S *	4/2002	Williams	D15/33
D489,381 S *	5/2004	Mistry	D15/23
D494,900 S *	8/2004	Satou	D12/173
D498,485 S *	11/2004	Kuwae	D15/31
D500,507 S *	1/2005	Mistry	D15/31

D500,772 S *	1/2005	Montgomery	D15/31
D532,022 S *	11/2006	Kuwae	D15/17
D570,265 S *	6/2008	Nakanishi	D12/173
D594,038 S *	6/2009	Shimomura	D15/31
D596,205 S *	7/2009	Kawashiri	D15/31
D605,669 S *	12/2009	Matsumoto	D15/31
D608,374 S *	1/2010	De Rycke	D15/33
D629,818 S *	12/2010	Rummer	D15/31
D634,757 S *	3/2011	Mack	D15/10
D636,001 S *	4/2011	Martin	D15/33

(Continued)

OTHER PUBLICATIONS

U.S. Appl. No. 29/567,579, filed Jun. 10, 2016, Dwayne St. George Jackson.

(Continued)

Primary Examiner — Mark Goodwin

(74) *Attorney, Agent, or Firm* — Rebecca L. Henkel; Rickard K. DeMille

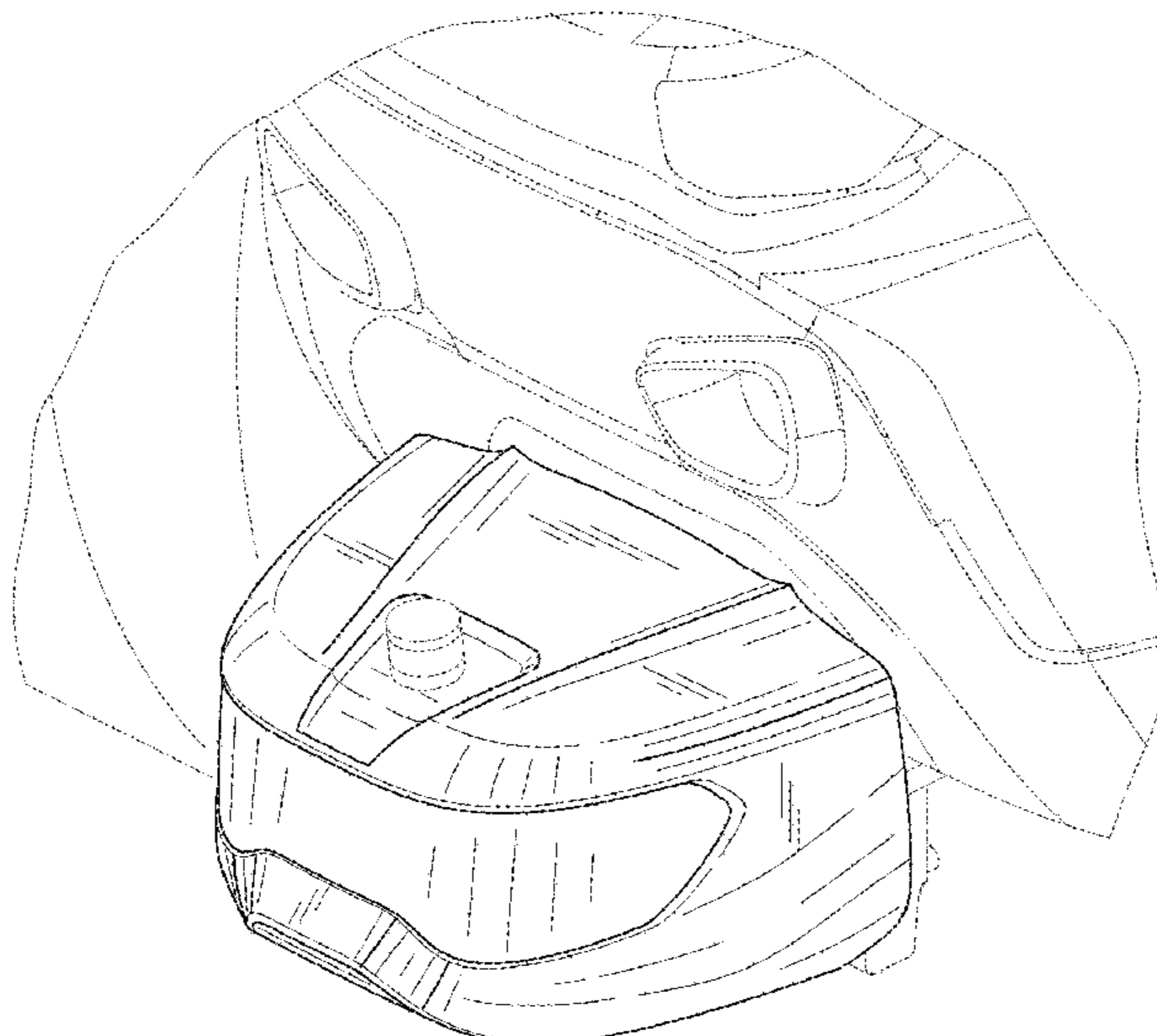
(57) **CLAIM**

The ornamental design for a sensor housing of an agricultural work vehicle, substantially as shown and described.

DESCRIPTION

FIG. 1 is a perspective view of a sensor housing of an agricultural work vehicle;
FIG. 2 is a perspective view of the sensor housing, taken within line 2-2 of FIG. 1.
FIG. 3 is a right side view of the sensor housing, the left side view being a mirror image of the right side view being shown;
FIG. 4 is a top view of the sensor housing;
FIG. 5 is a front view of the sensor housing;
FIG. 6 is a back view of the sensor housing; and,
FIG. 7 is a bottom view of the sensor housing.
Phantom lines, where utilized, are for illustrative purposes only and form no part of the claimed design.

1 Claim, 5 Drawing Sheets



(56)

References Cited

U.S. PATENT DOCUMENTS

D642,597 S *	8/2011	Krogh	D15/31
D642,598 S *	8/2011	Wikner	D15/31
D643,052 S *	8/2011	Hagele	D15/27
D646,305 S *	10/2011	Krogh	D15/31
D655,317 S *	3/2012	Hagele	D15/31
D655,319 S *	3/2012	Hagele	D15/31
D657,400 S *	4/2012	Loew	D15/20
D668,694 S *	10/2012	Tezuka	D15/31
D675,234 S *	1/2013	Kushita	D15/31
D690,328 S *	9/2013	Cha	D15/31
D697,536 S *	1/2014	Nuebel	D15/23
D708,233 S *	7/2014	Furuki	D15/28
D735,248 S *	7/2015	Okuyama	D15/31
D735,775 S *	8/2015	Okuyama	D15/31
D751,611 S *	3/2016	Smith	D15/31
D757,126 S *	5/2016	Vaninetti	D15/31
D766,338 S *	9/2016	Kurokawa	D15/31
D768,210 S *	10/2016	Jacobsthal	D15/31

OTHER PUBLICATIONS

U.S. Appl. No. 29/567,581, filed Jun. 10, 2016, Dwayne St. George Jackson.
 U.S. Appl. No. 29/567,582, filed Jun. 10, 2016, Dwayne St. George Jackson.
 U.S. Appl. No. 29/567,593, filed Jun. 10, 2016, Dwayne St. George Jackson.
 U.S. Appl. No. 29/567,603, filed Jun. 10, 2016, Dwayne St. George Jackson.
 U.S. Appl. No. 29/567,605, filed Jun. 10, 2016, Dwayne St. George Jackson.
 U.S. Appl. No. 29/567,607, filed Jun. 10, 2016, Dwayne St. George Jackson.
 U.S. Appl. No. 29/567,615, filed Jun. 10, 2016, Dwayne St. George Jackson.
 U.S. Appl. No. 29/567,622, filed Jun. 10, 2016, Dwayne St. George Jackson.
 U.S. Appl. No. 29/567,653, filed Jun. 10, 2016, Frank Zsigmond Asztalos.

* cited by examiner

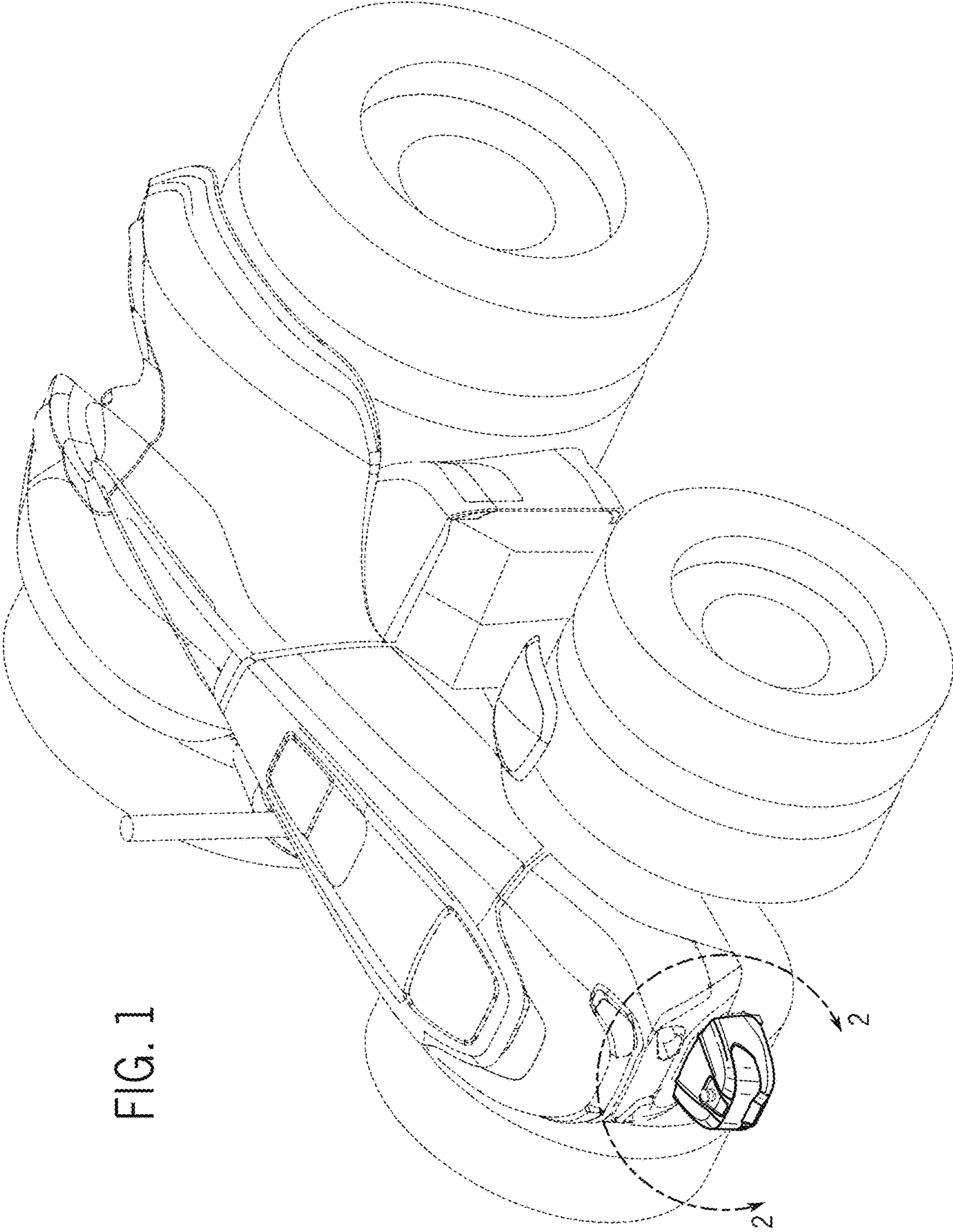


FIG. 1

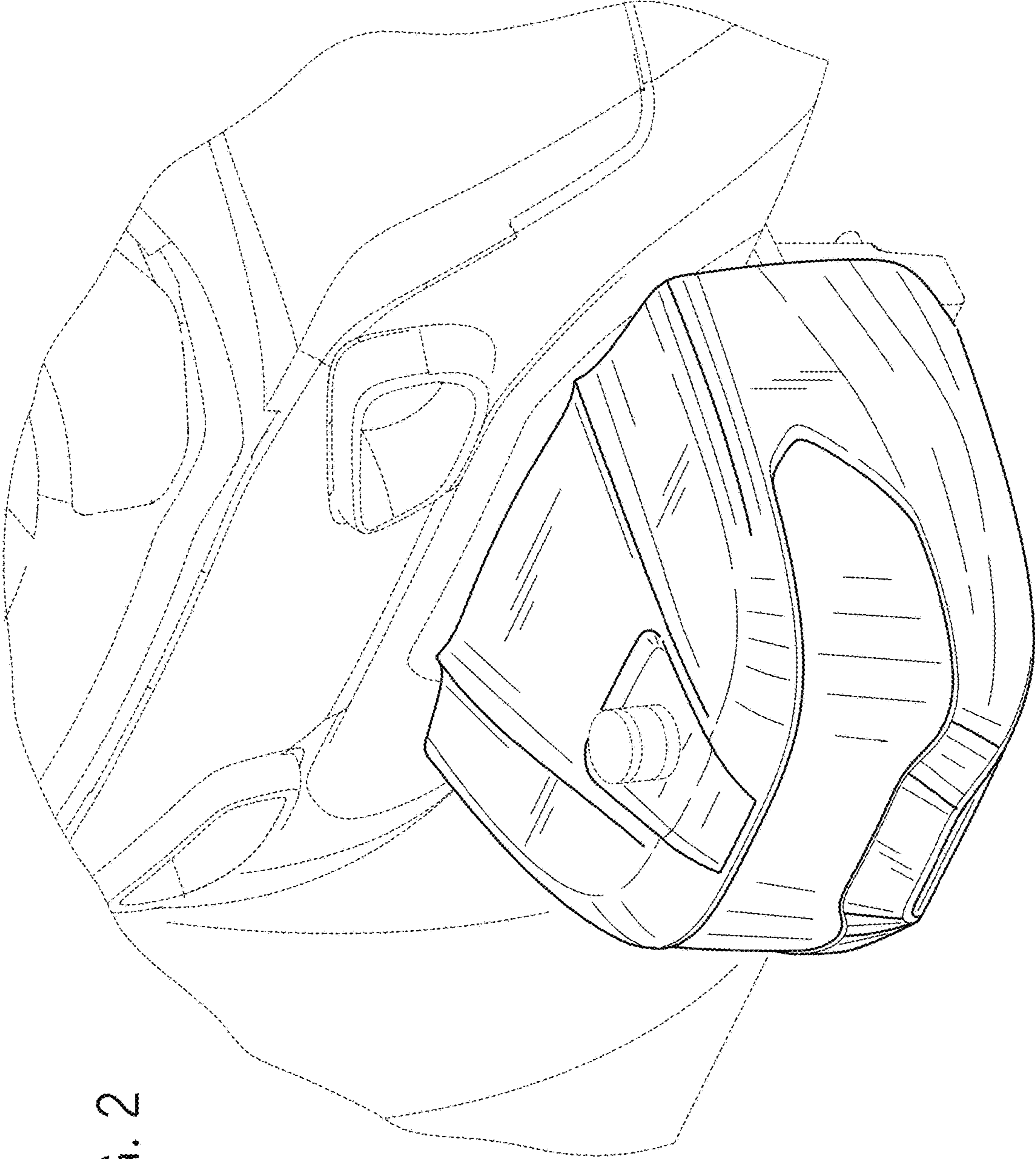


FIG. 2

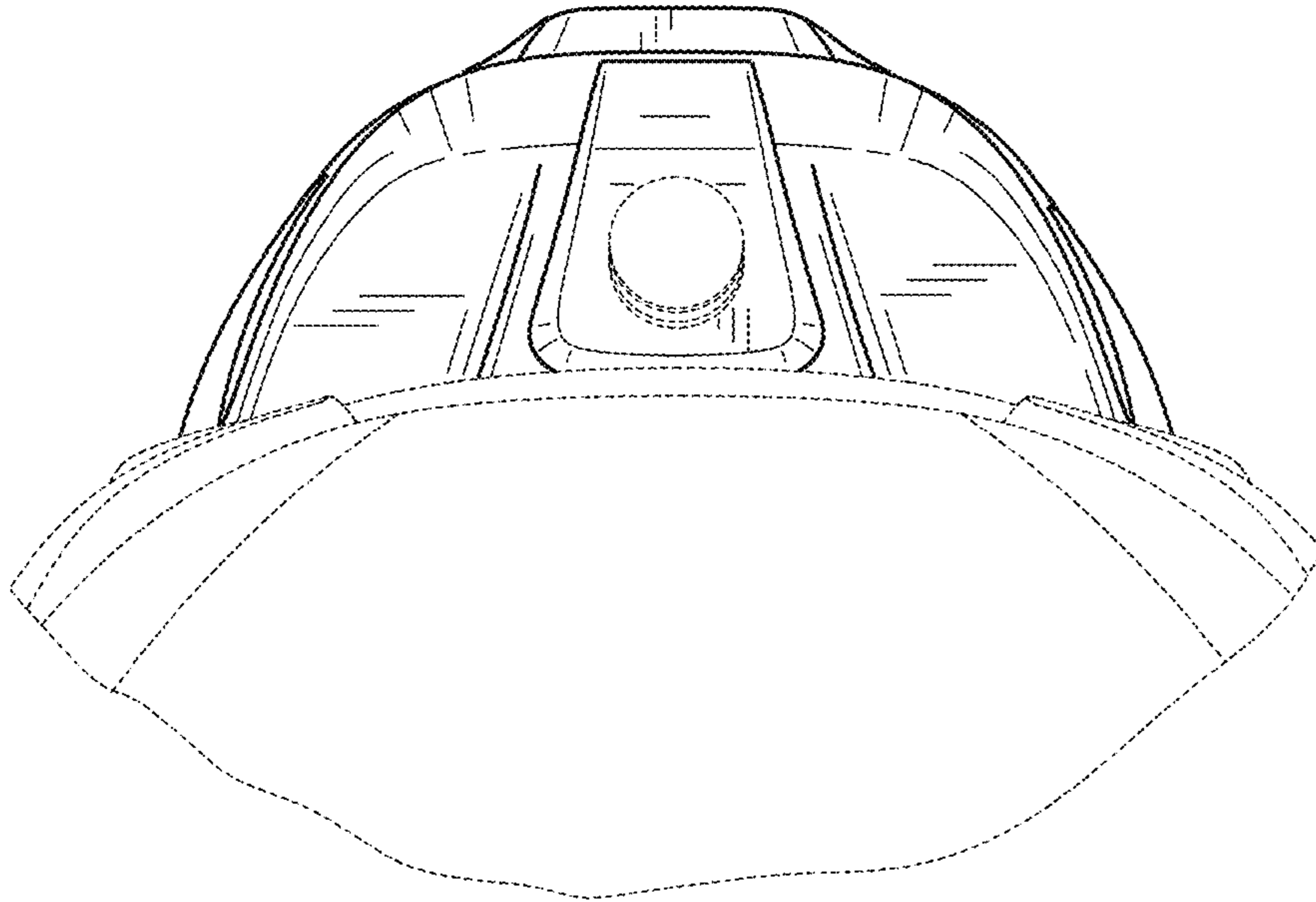


FIG. 4

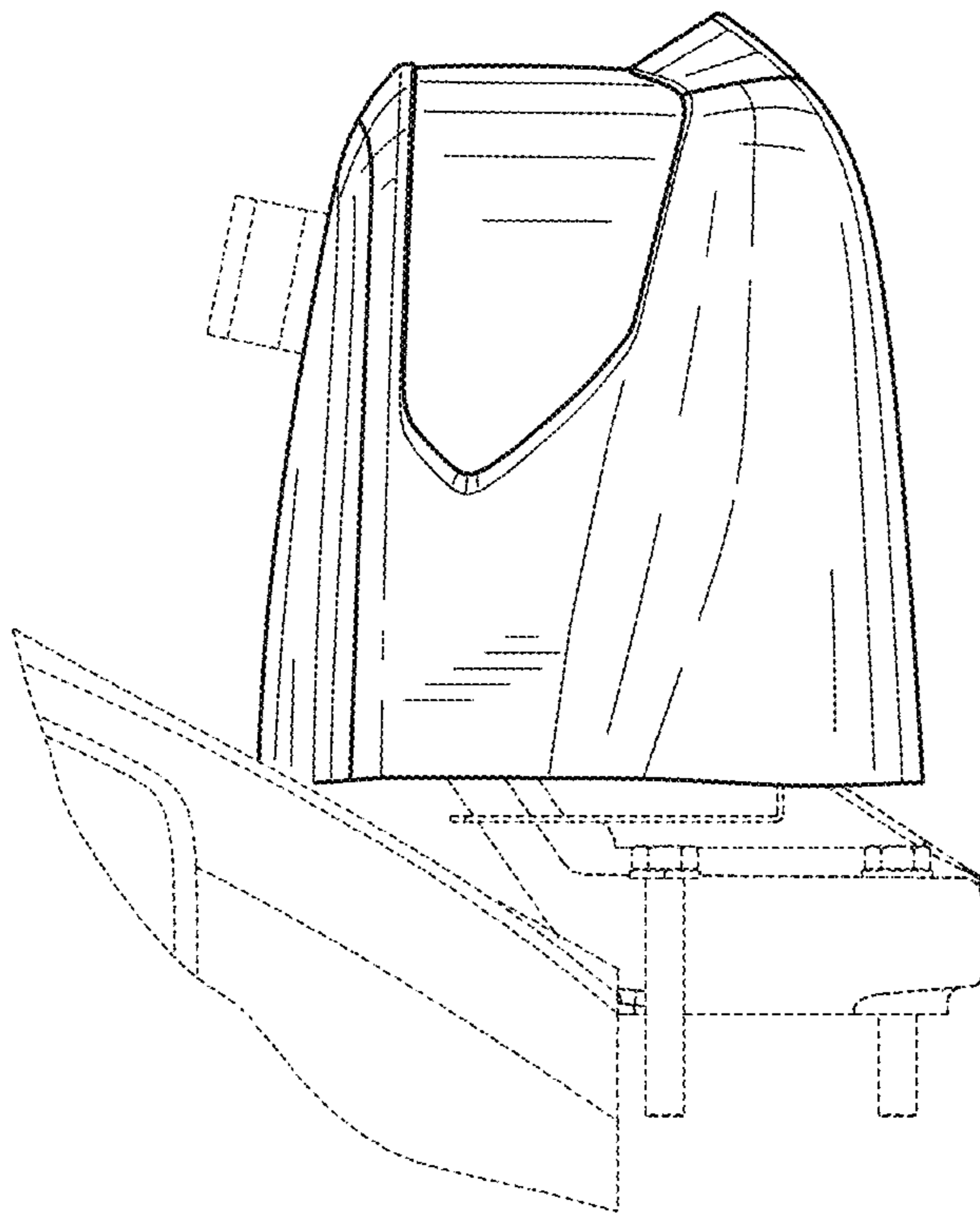


FIG. 3

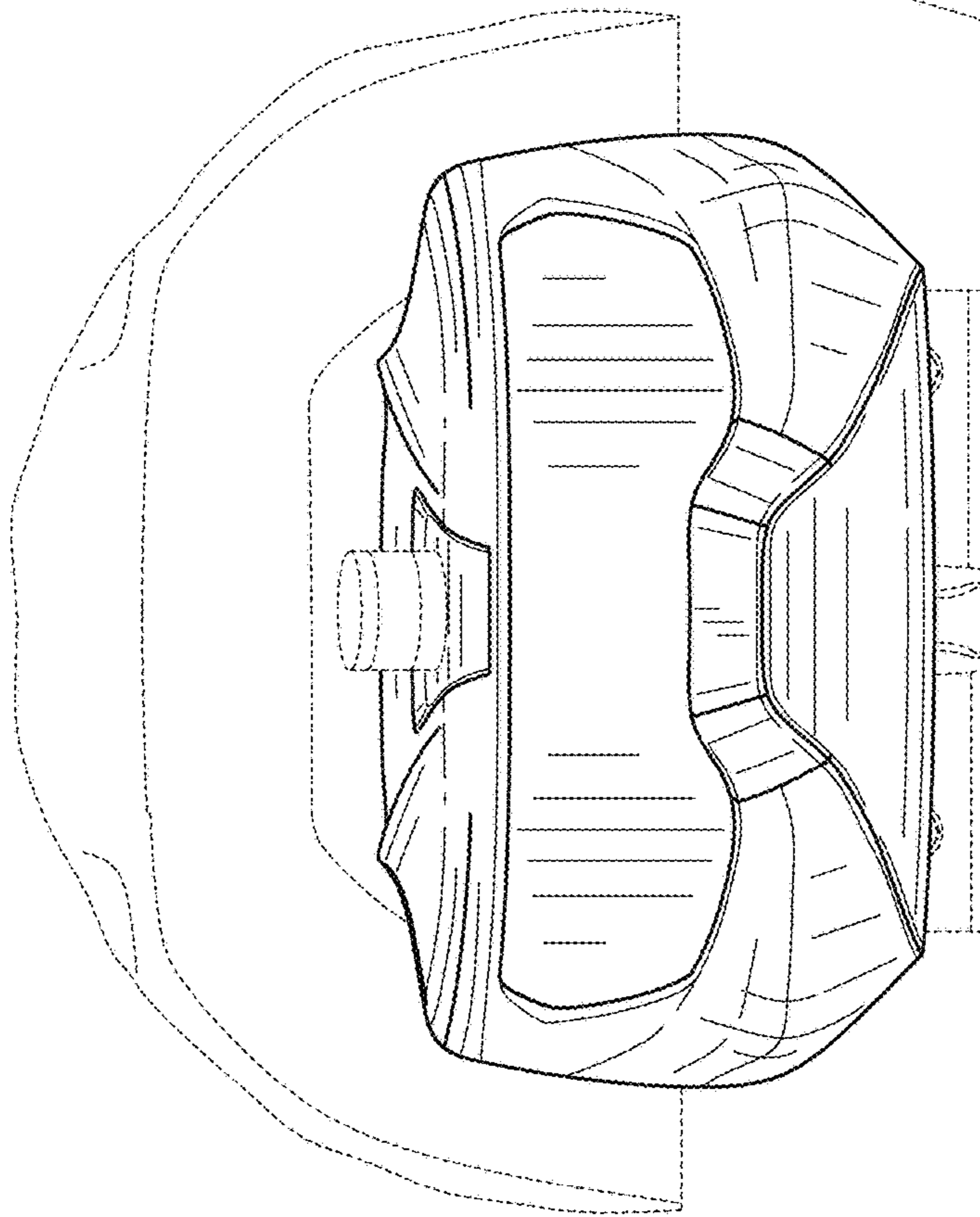


FIG. 5

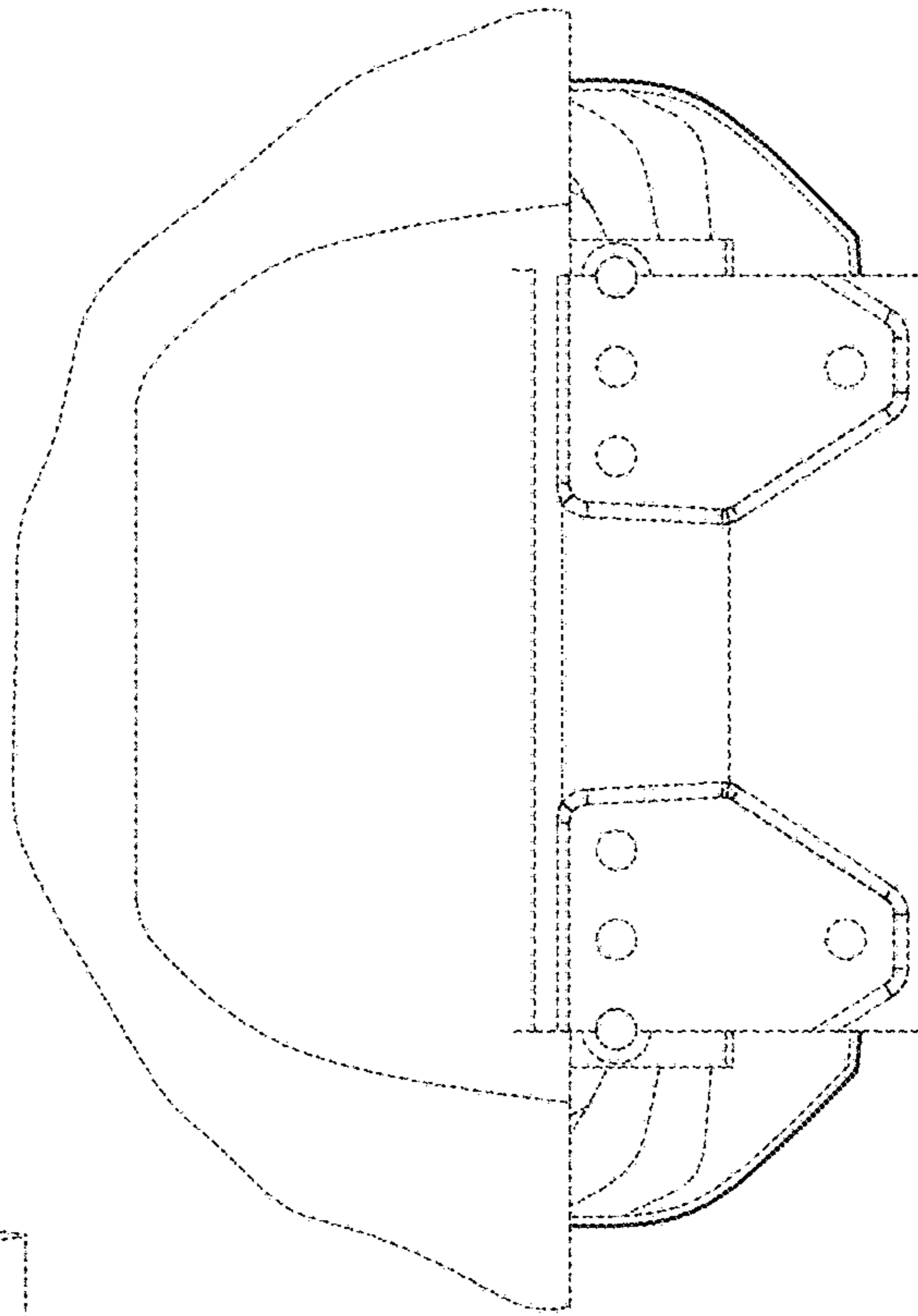


FIG. 6

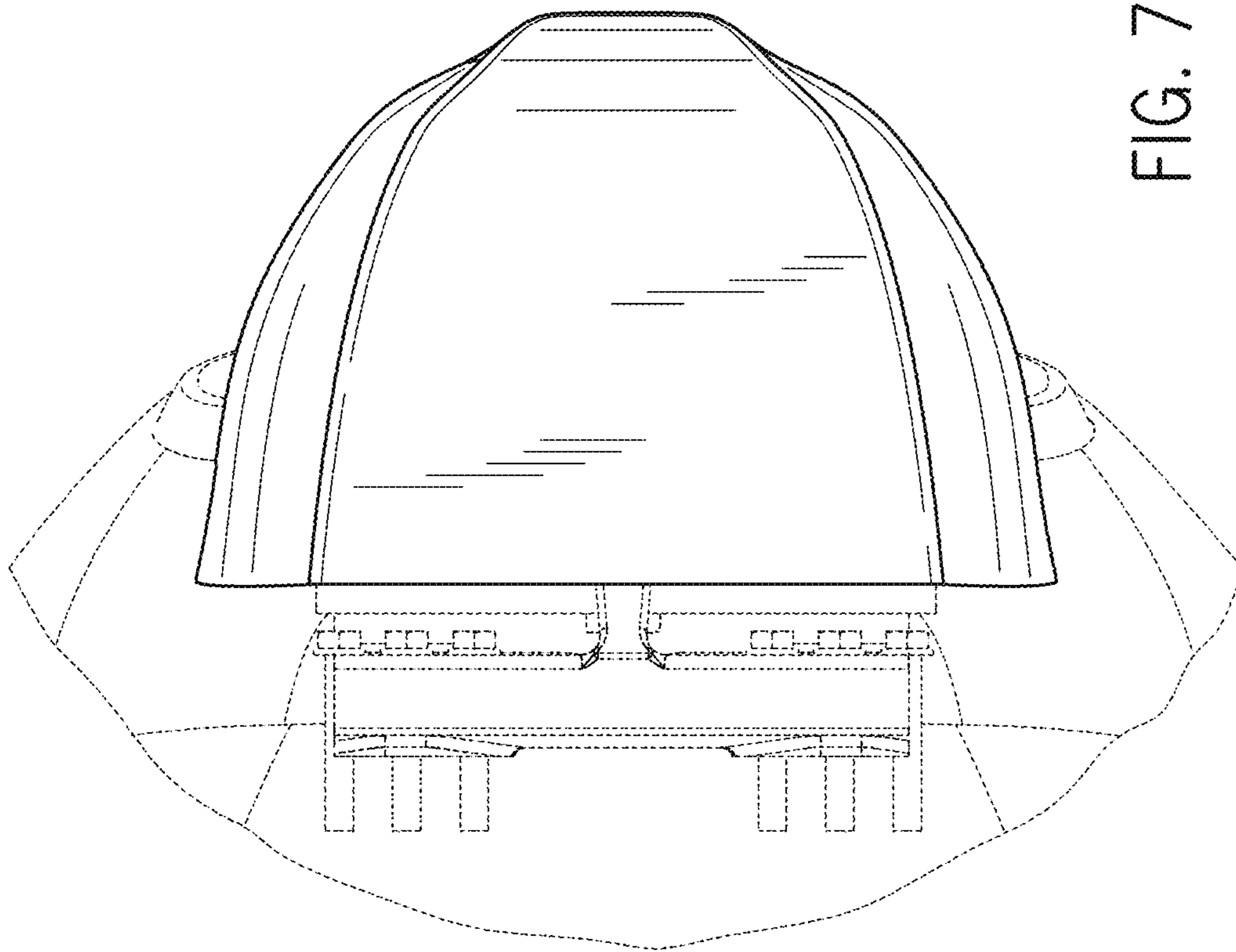


FIG. 7