



US00D789426S

(12) **United States Design Patent** (10) **Patent No.:** **US D789,426 S**  
**Underhill et al.** (45) **Date of Patent:** **\*\* Jun. 13, 2017**

(54) **BONNET FOR A BACKHOE LOADER**

(56) **References Cited**

(71) Applicant: **J.C. BAMFORD EXCAVATORS LIMITED**, Rochester, Staffordshire (GB)

U.S. PATENT DOCUMENTS

(72) Inventors: **Thomas Edward Underhill**, Rocester (GB); **Samuel John Jilbert**, Rocester (GB)

D594,878 S *	6/2009	Post	.....	D15/5
D624,562 S *	9/2010	Neeley	.....	D15/17
D678,358 S *	3/2013	Hiraoka	.....	D15/28
D691,642 S *	10/2013	Fujiwara	.....	D15/15
D716,846 S *	11/2014	Carter	.....	D15/31
D728,640 S *	5/2015	Turner	.....	D15/31
D729,280 S *	5/2015	Naslund	.....	D15/14
D755,254 S *	5/2016	Ewringmann	.....	D15/28
D760,815 S *	7/2016	Okuyama	.....	D15/31

(73) Assignee: **J.C. BAMFORD EXCAVATORS LIMITED**, Utttoxeter (GB)

\* cited by examiner

(\*\*) Term: **15 Years**

*Primary Examiner* — Ian Simmons

(21) Appl. No.: **29/539,063**

*Assistant Examiner* — Khawaja Anwar

(22) Filed: **Sep. 10, 2015**

(74) *Attorney, Agent, or Firm* — Marshall, Gerstein & Borun LLP

(30) **Foreign Application Priority Data**

(57) **CLAIM**

Mar. 10, 2015 (EM) ..... 001431910

The ornamental design for a bonnet for a backhoe loader, as shown and described.

(51) **LOC (10) Cl.** ..... **12-09**

**DESCRIPTION**

(52) **U.S. Cl.**  
USPC ..... **D15/31**

(58) **Field of Classification Search**  
USPC ..... D15/10, 15, 22–26, 28, 30–31, 199  
CPC ..... E02F 9/0833; E02F 3/325; E02F 9/166;  
E02F 9/0866; E02F 9/0891; E02F 9/2004;  
E02F 9/0858; E02F 9/163; E02F 3/30;  
E02F 9/00; E02F 9/08; E02F 9/0875;  
E02F 9/2267; E02F 9/2275; E02F 3/301;  
E02F 9/121; E02F 3/307; E02F 9/16;  
E02F 3/964; E02F 9/0841; E02F 9/0883;  
E02F 9/24

FIG. 1 is a front, left-side, and top view of a bonnet for a backhoe loader showing the new design.

FIG. 2 is a front elevation view of the bonnet for a backhoe loader.

FIG. 3 is a top plan view.

FIG. 4 is a left-side elevation view.

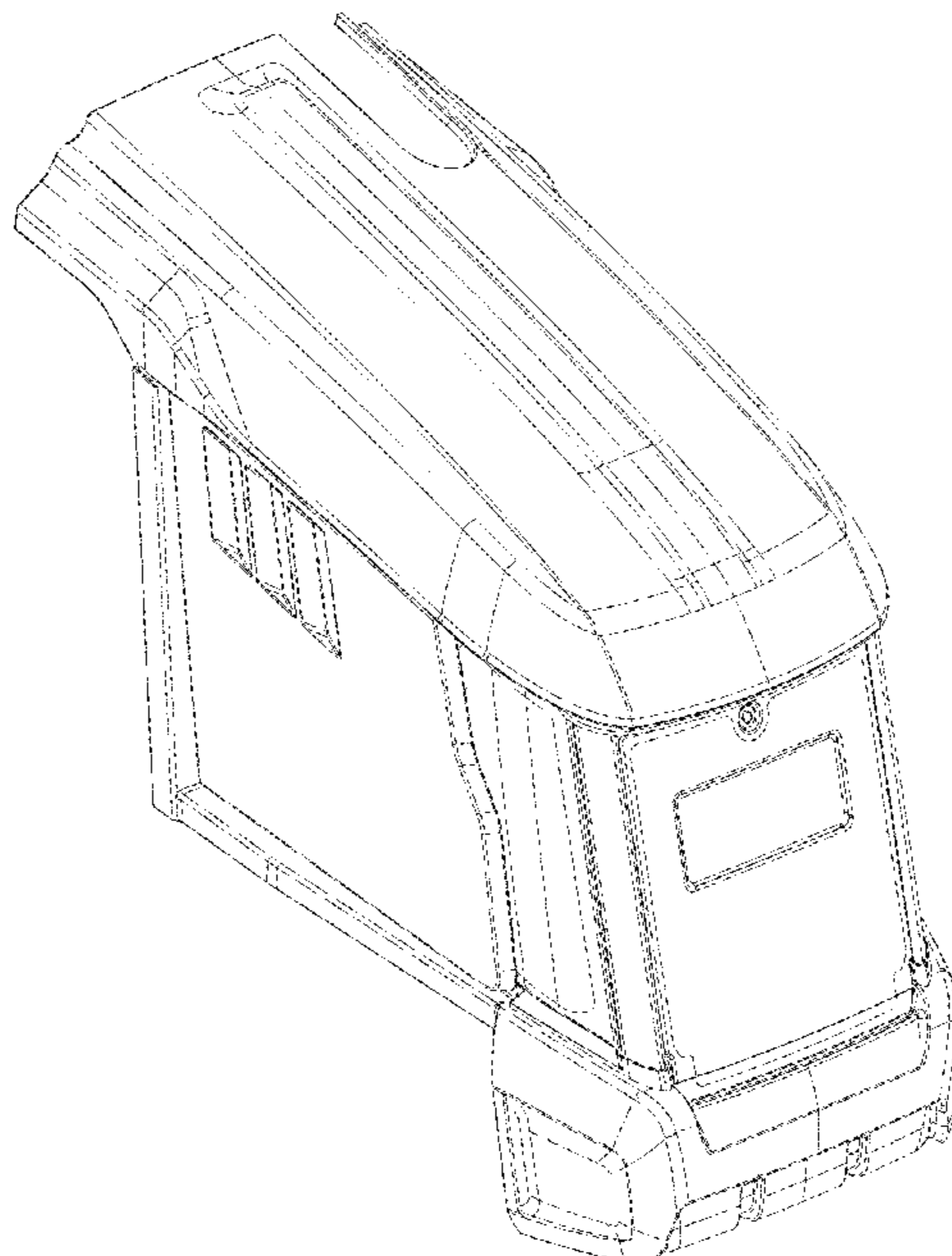
FIG. 5 is a right-side elevation view; and,

FIG. 6 is a front, right-side, and top view.

The broken lines in FIG. 2 represent unclaimed elements of the bonnet for a backhoe loader and forms no part of the claimed design.

See application file for complete search history.

**1 Claim, 6 Drawing Sheets**



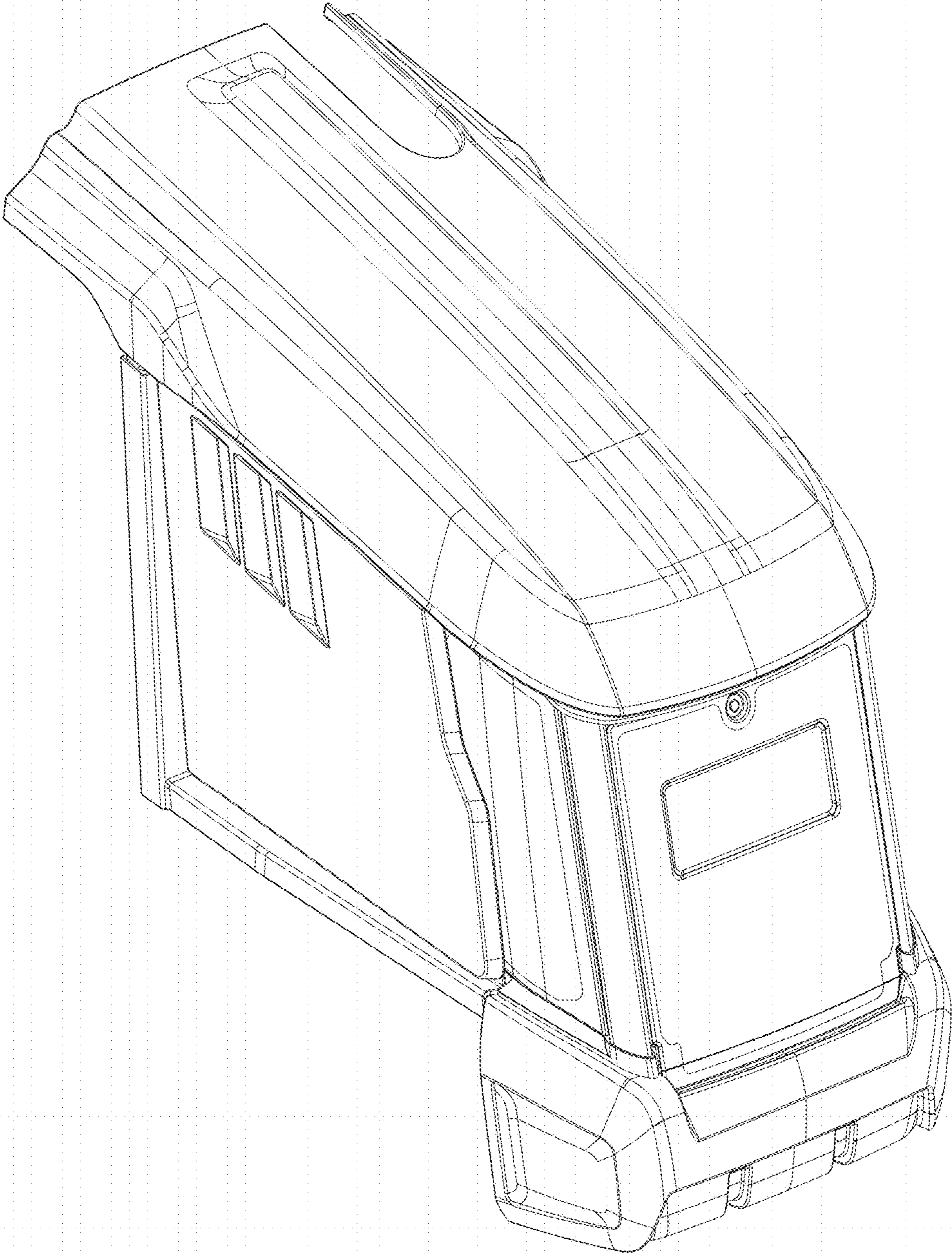


Fig. 1

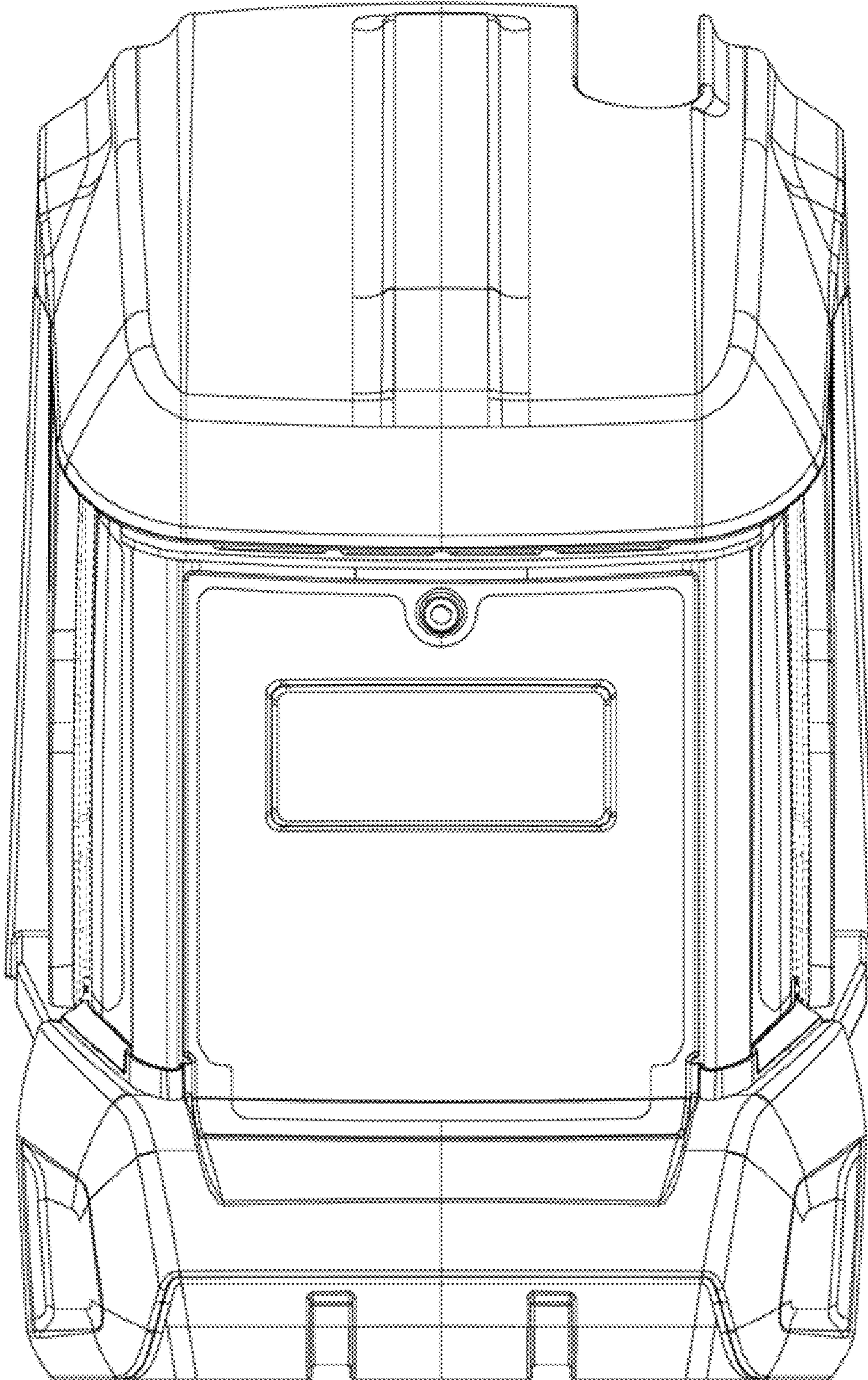


Fig. 2

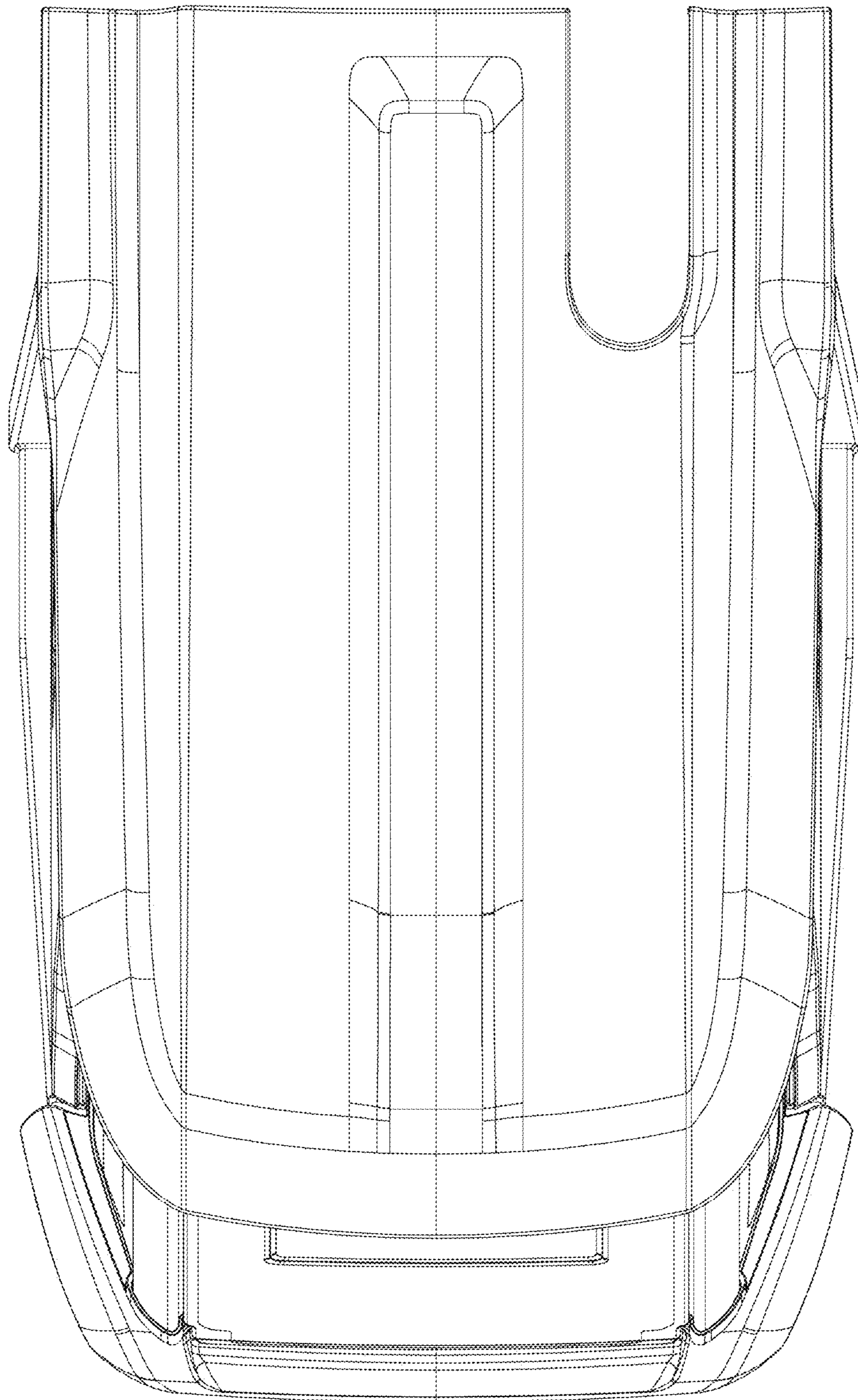


Fig. 3

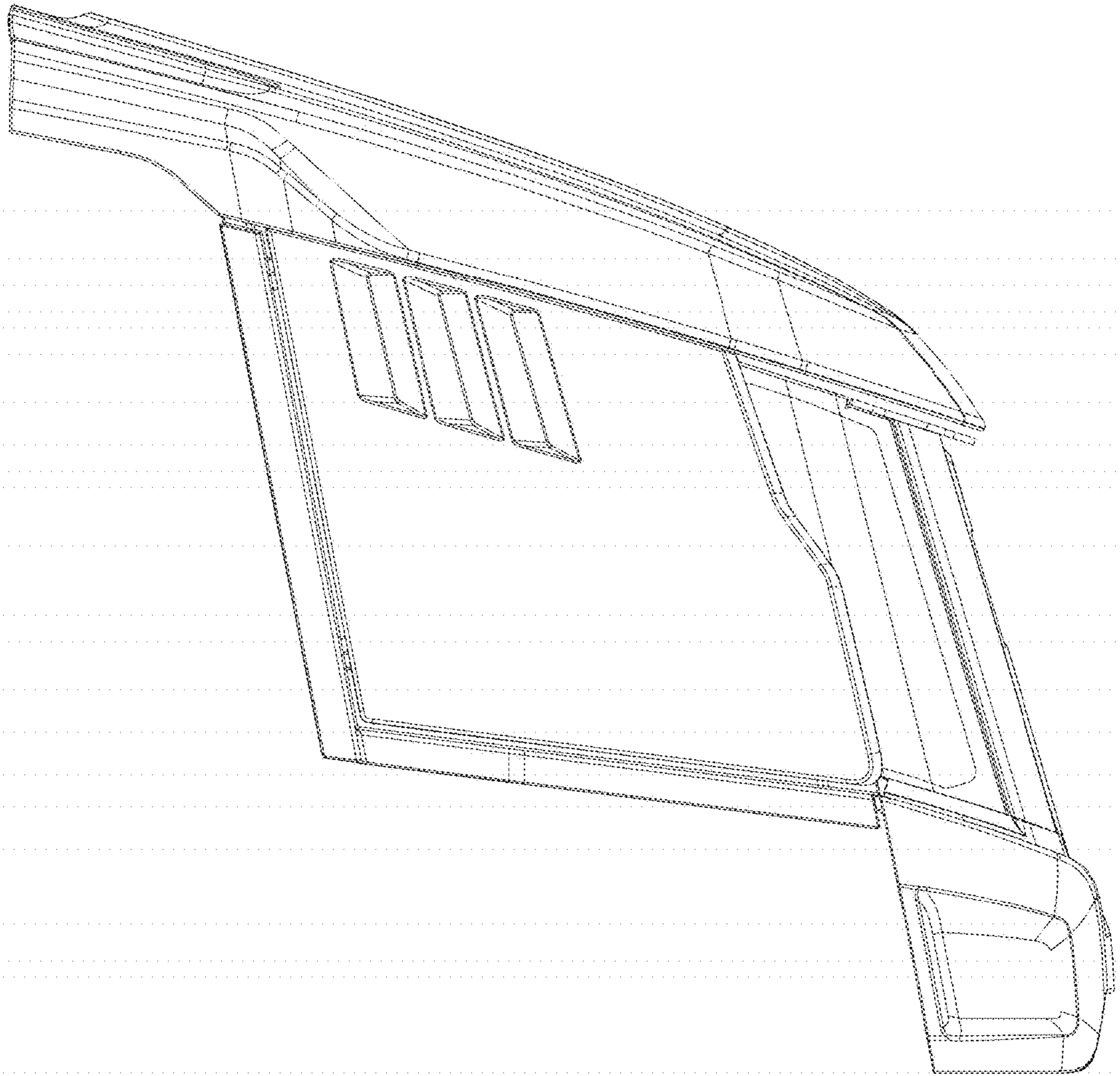


Fig. 4

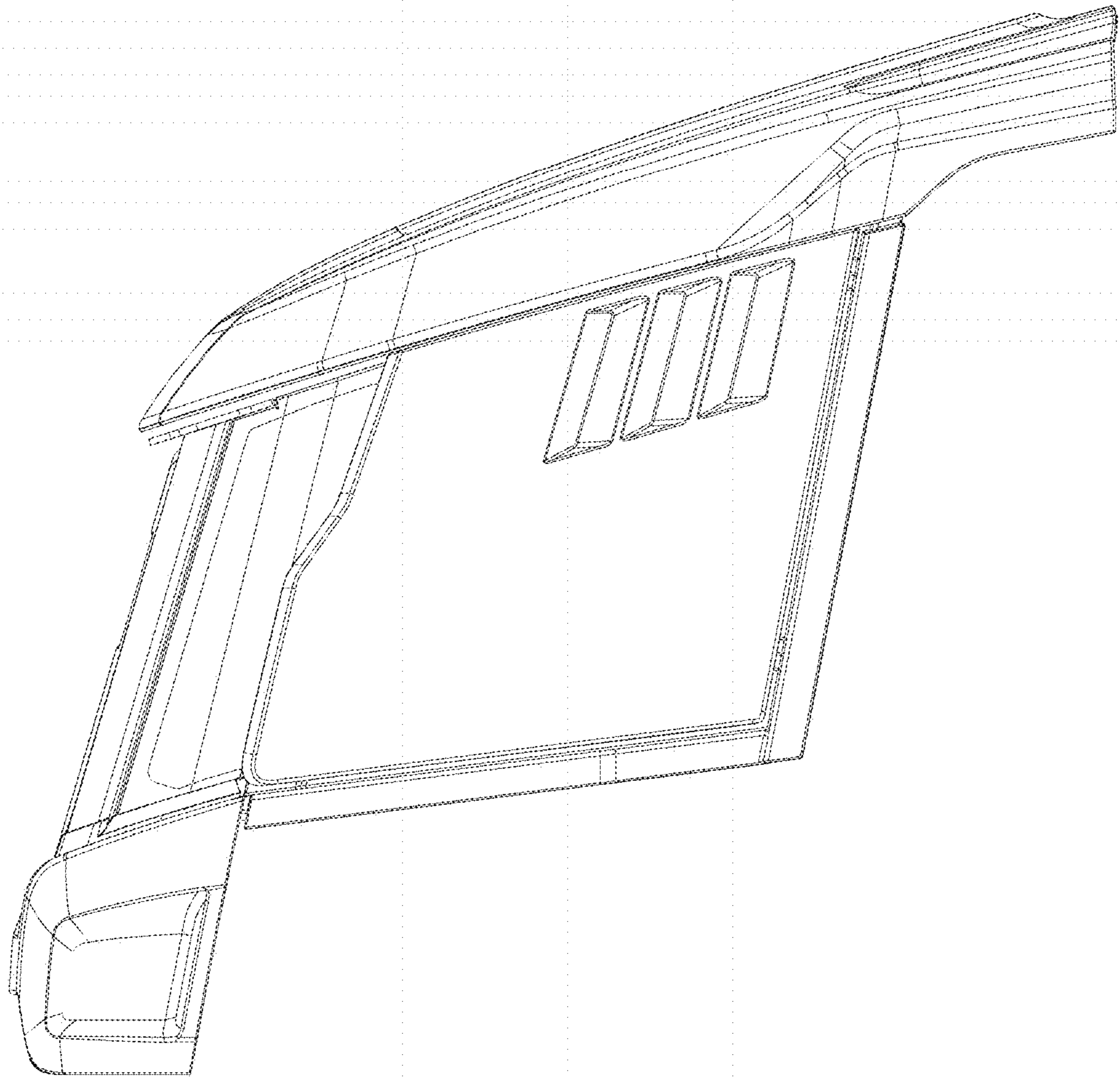


Fig. 5

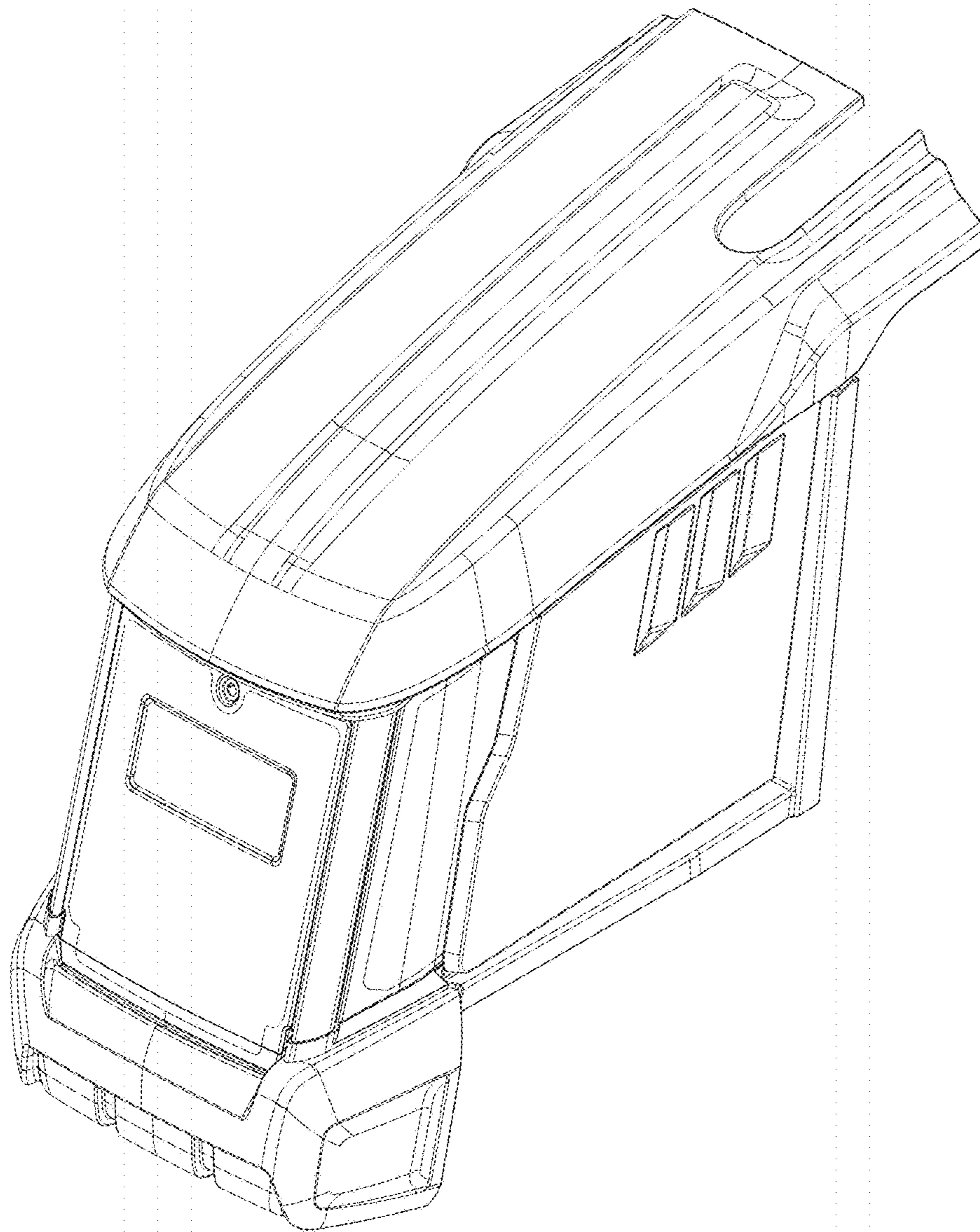


Fig. 6