



US00D789425S

(12) **United States Design Patent** (10) **Patent No.:** **US D789,425 S**
Smith et al. (45) **Date of Patent:** **** Jun. 13, 2017**

(54) **CONTROL PANEL**

(71) Applicant: **Entro Industries, Inc.**, Hillsboro, OR (US)

(72) Inventors: **Shawn R Smith**, Hillsboro, OR (US);
Harlan B Smith, Hillsboro, OR (US);
Brian Unger, Hillsboro, OR (US)

(73) Assignee: **ENTRO INDUSTRIES**, Hillsboro, OR (US)

(**) Term: **15 Years**

(21) Appl. No.: **29/547,283**

(22) Filed: **Dec. 2, 2015**

(51) **LOC (10) Cl.** **15-03**

(52) **U.S. Cl.**
USPC **D15/28; D15/21**

(58) **Field of Classification Search**
USPC D15/14, 15, 17, 22-26, 28, 31, 33;
D12/192; 180/90, 69.24, 69.2, 69.21;
296/70, 301, 72, 191, 192, 193.03
CPC B62D 33/0617; B62D 33/06; B60K 37/00
See application file for complete search history.

(56) **References Cited**

U.S. PATENT DOCUMENTS

D287,228 S *	12/1986	Newton	D10/103
D287,575 S *	1/1987	Newton	D10/103
D519,132 S *	4/2006	Laux	D15/28
D546,841 S *	7/2007	McCarren, Jr.	D15/28
D549,739 S *	8/2007	Stephens	D15/28
D652,063 S *	1/2012	Takeuchi	D15/28
D652,433 S *	1/2012	Takeuchi	D15/28
D689,443 S *	9/2013	Ewringmann	D13/164
D690,325 S *	9/2013	Scott	D15/28
D690,326 S *	9/2013	Scott	D15/28
D692,466 S *	10/2013	Takagi	D15/17
D697,534 S *	1/2014	Uchida	D15/17
D707,722 S *	6/2014	Higashikawa	D15/15

D726,228 S *	4/2015	Fukuchi	D15/28
D730,947 S *	6/2015	Fukuchi	D15/28
D737,336 S *	8/2015	Ewringmann	D15/28
D742,936 S *	11/2015	Ewringmann	D15/28
D752,115 S *	3/2016	Ewringmann	D15/28
D752,116 S *	3/2016	Ewringmann	D15/28
D752,657 S *	3/2016	Ewringmann	D15/28
D752,658 S *	3/2016	Ewringmann	D15/28

(Continued)

Primary Examiner — Mark Goodwin

(74) *Attorney, Agent, or Firm* — J. Curtis Edmondson;
Law Offices of J. Curtis Edmondson

(57) **CLAIM**

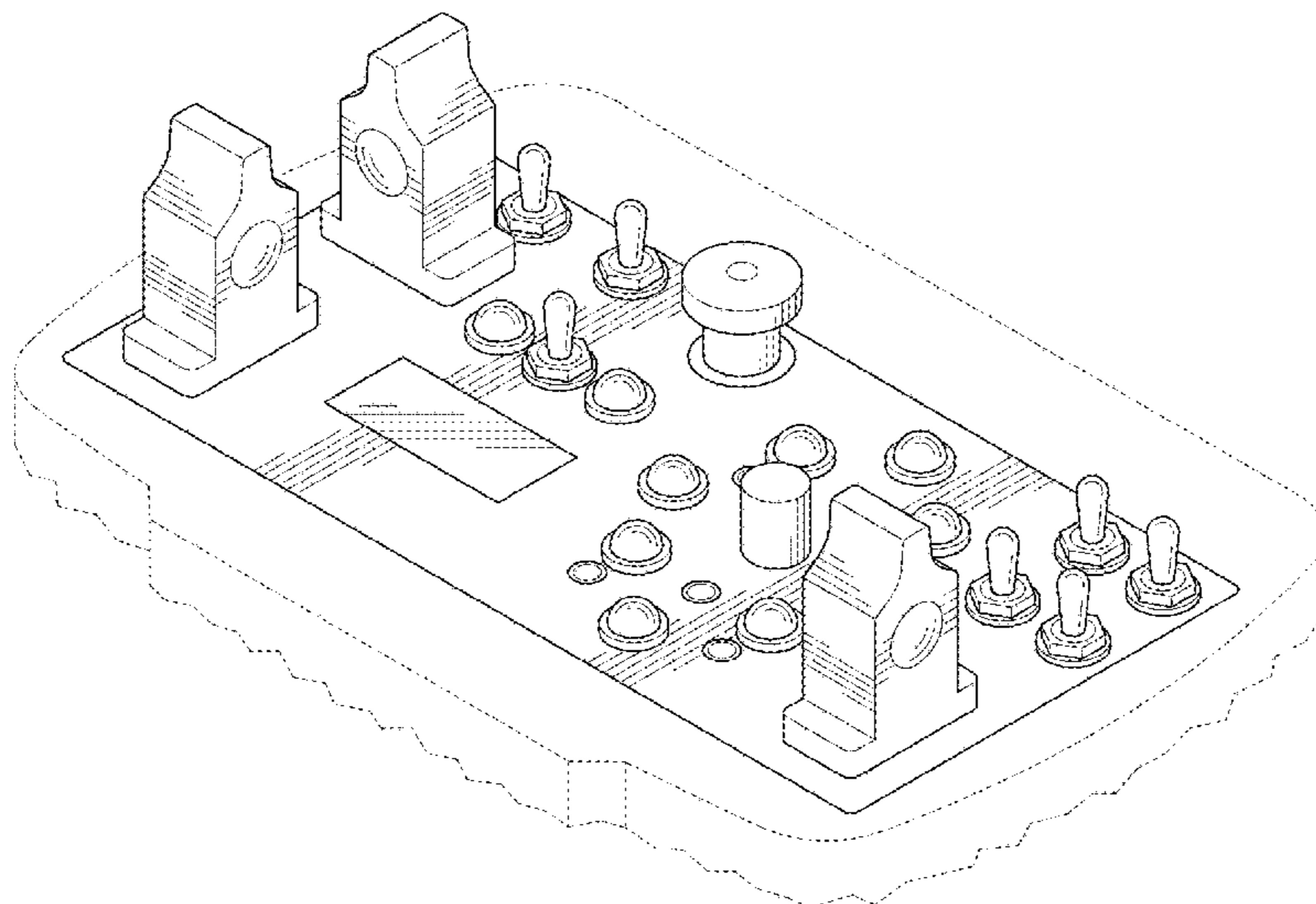
The ornamental design for a control panel, as shown and described.

DESCRIPTION

FIG. 1 is a top perspective view of a control panel; FIG. 2 is a top view thereof; FIG. 3 is a back side view thereof; FIG. 4 is a front side view thereof; FIG. 5 is a right side view thereof; FIG. 6 is a left side view thereof; FIG. 7 is a top perspective view of the right side portion of the control panel shown separate for ease of illustration; FIG. 8 is a top view of the right side portion of the control panel shown separate for ease of illustration; FIG. 9 is a left side view of the right side portion of the control panel shown separate for ease of illustration; and, FIG. 10 is a right side view of a right side portion of the control panel shown separate for ease of illustration. The broken lines are included for the purpose of illustrating portions of the remote control that forms no part of the claimed design.

Throughout the drawings, various views may not be provided, as the components in these views are unornamented or the ornamentation in these views is simply unclaimed.

1 Claim, 5 Drawing Sheets



(56)

References Cited

U.S. PATENT DOCUMENTS

D754,211 S	*	4/2016	Moore	D15/28
D760,814 S	*	7/2016	Ewringmann	D15/28
D767,643 S	*	9/2016	Sohngen	D15/28
D770,541 S	*	11/2016	Ewringmann	D15/28

* cited by examiner

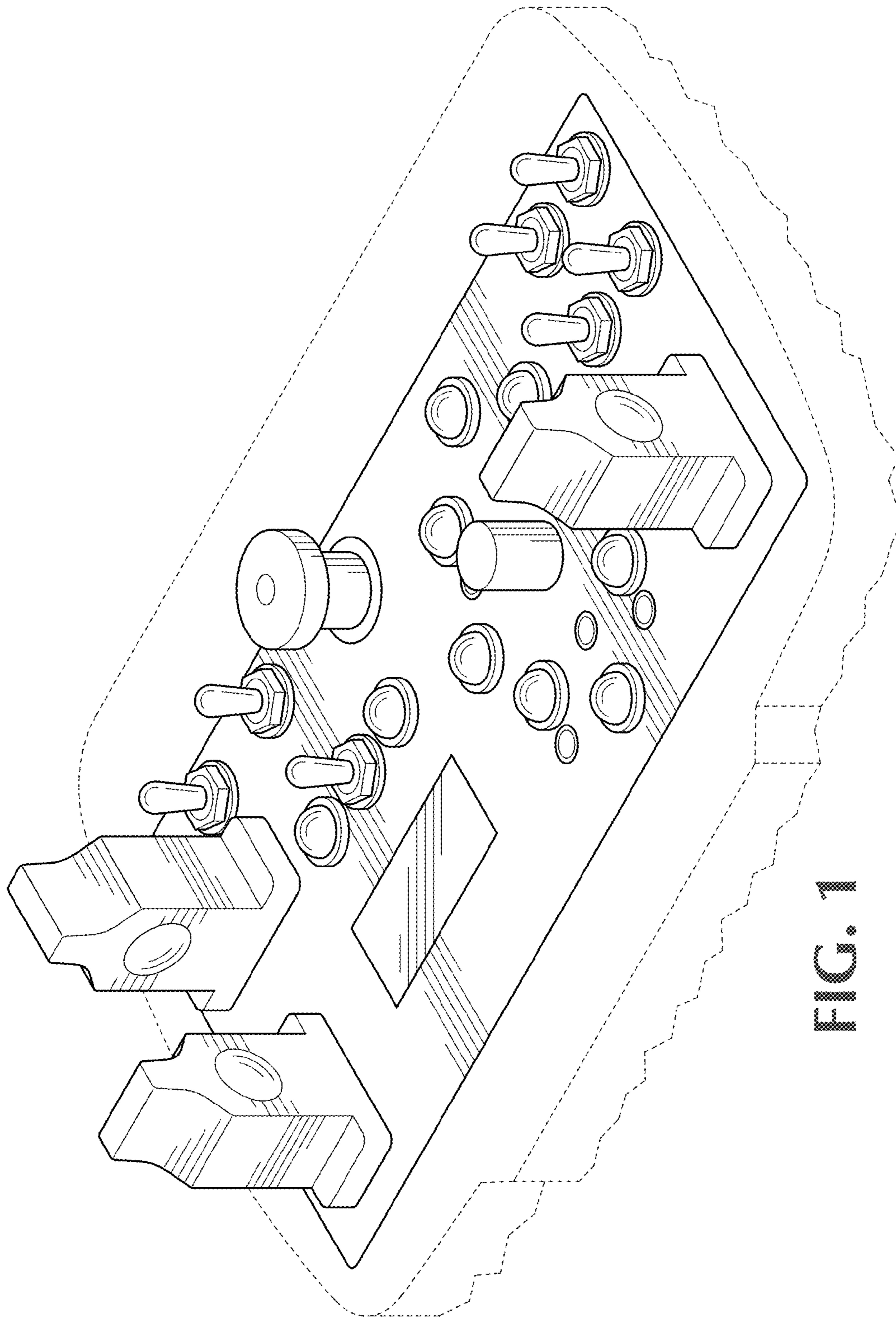


FIG. 1

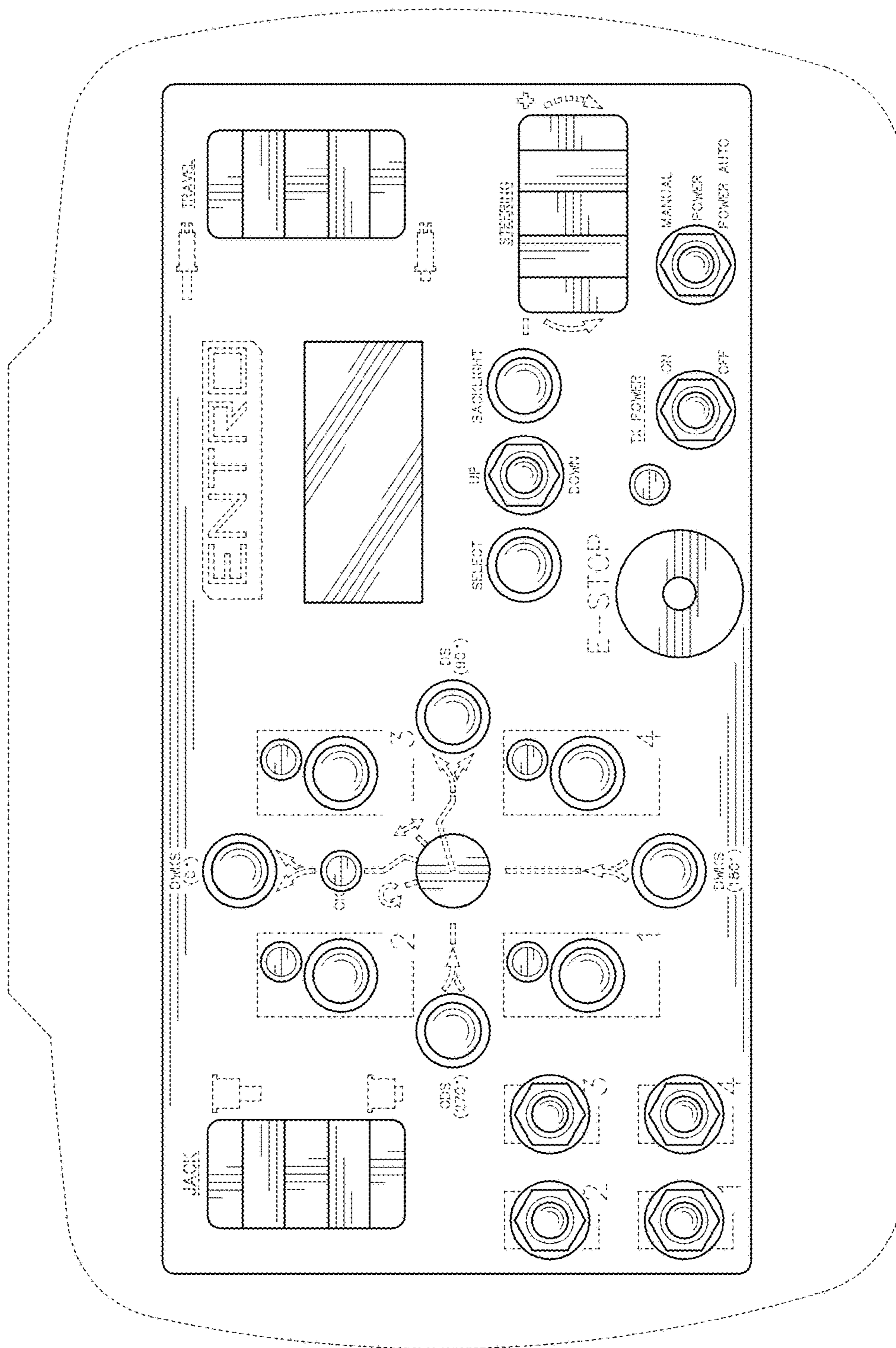


FIG. 2

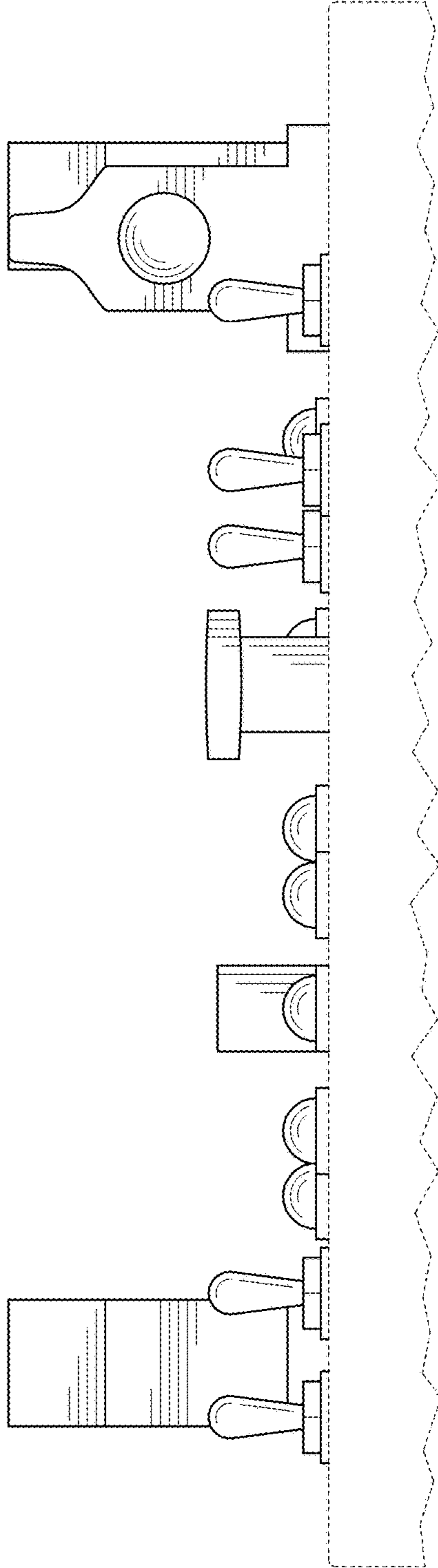


FIG. 3

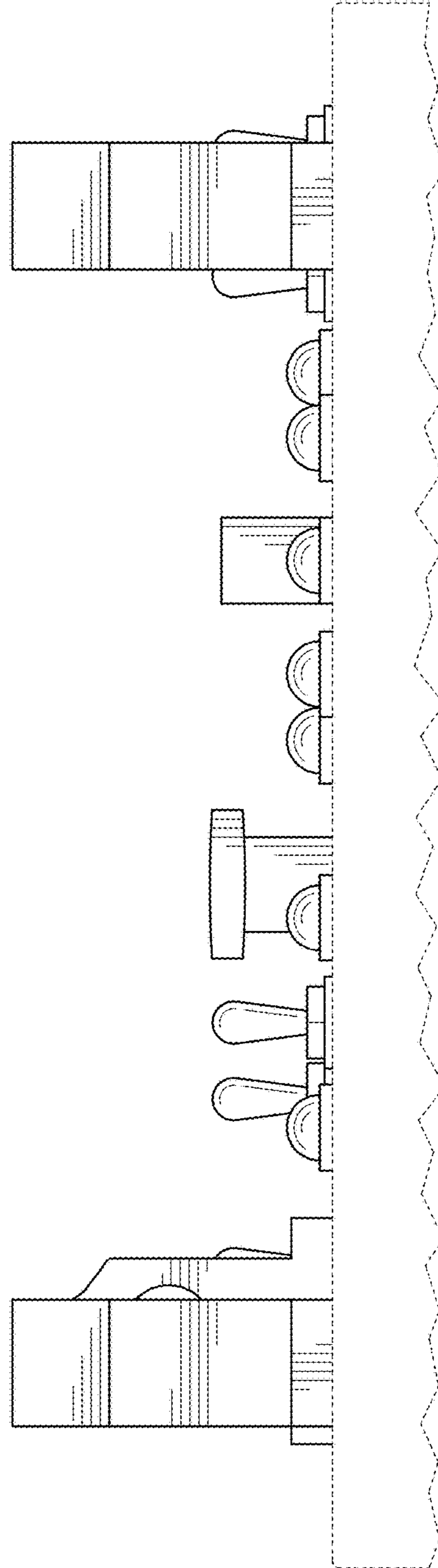


FIG. 4

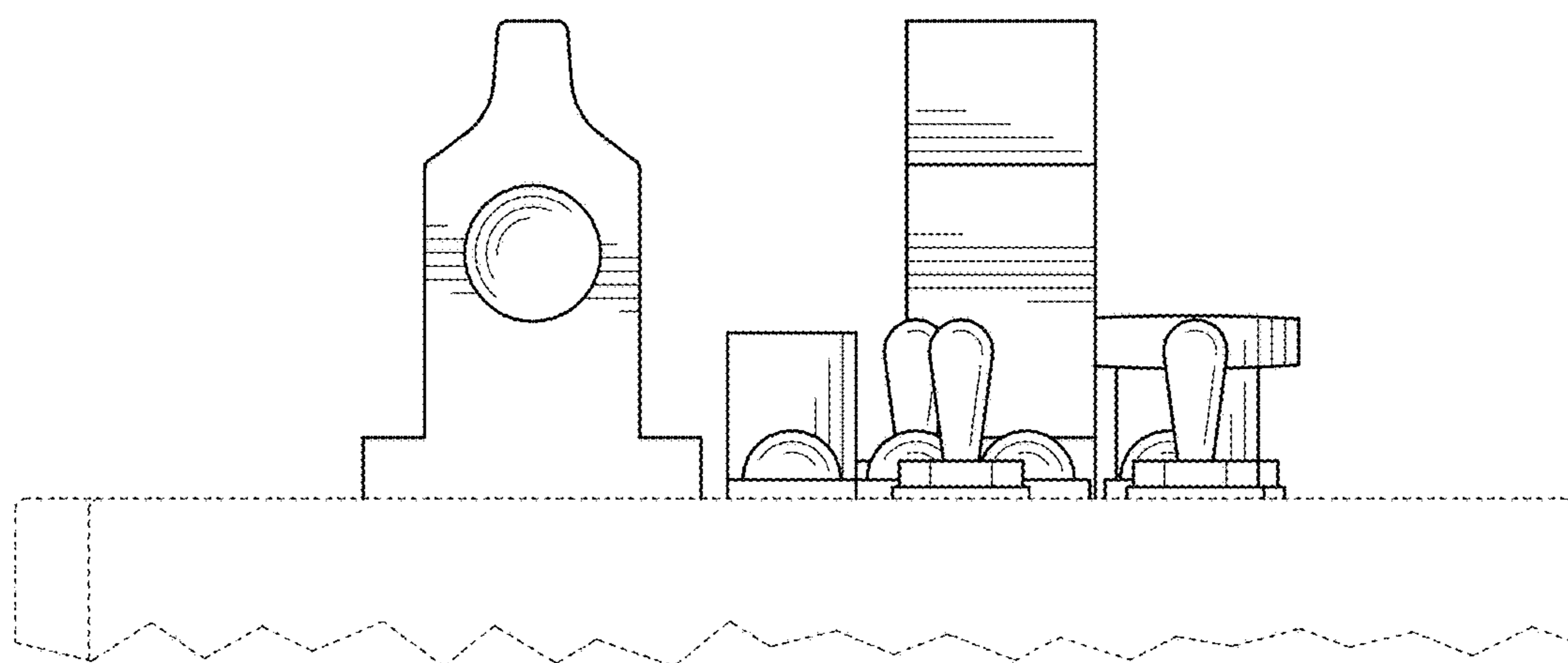


FIG. 5

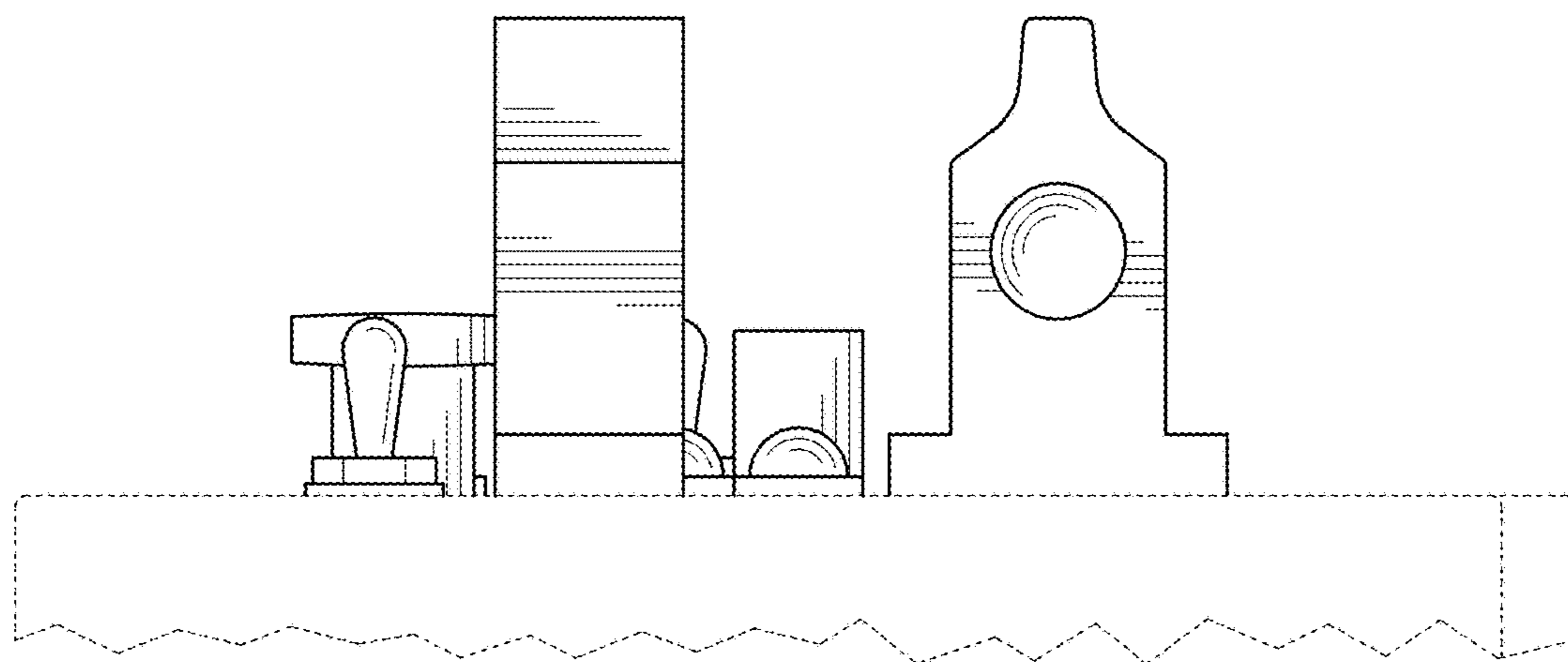


FIG. 6

FIG. 7

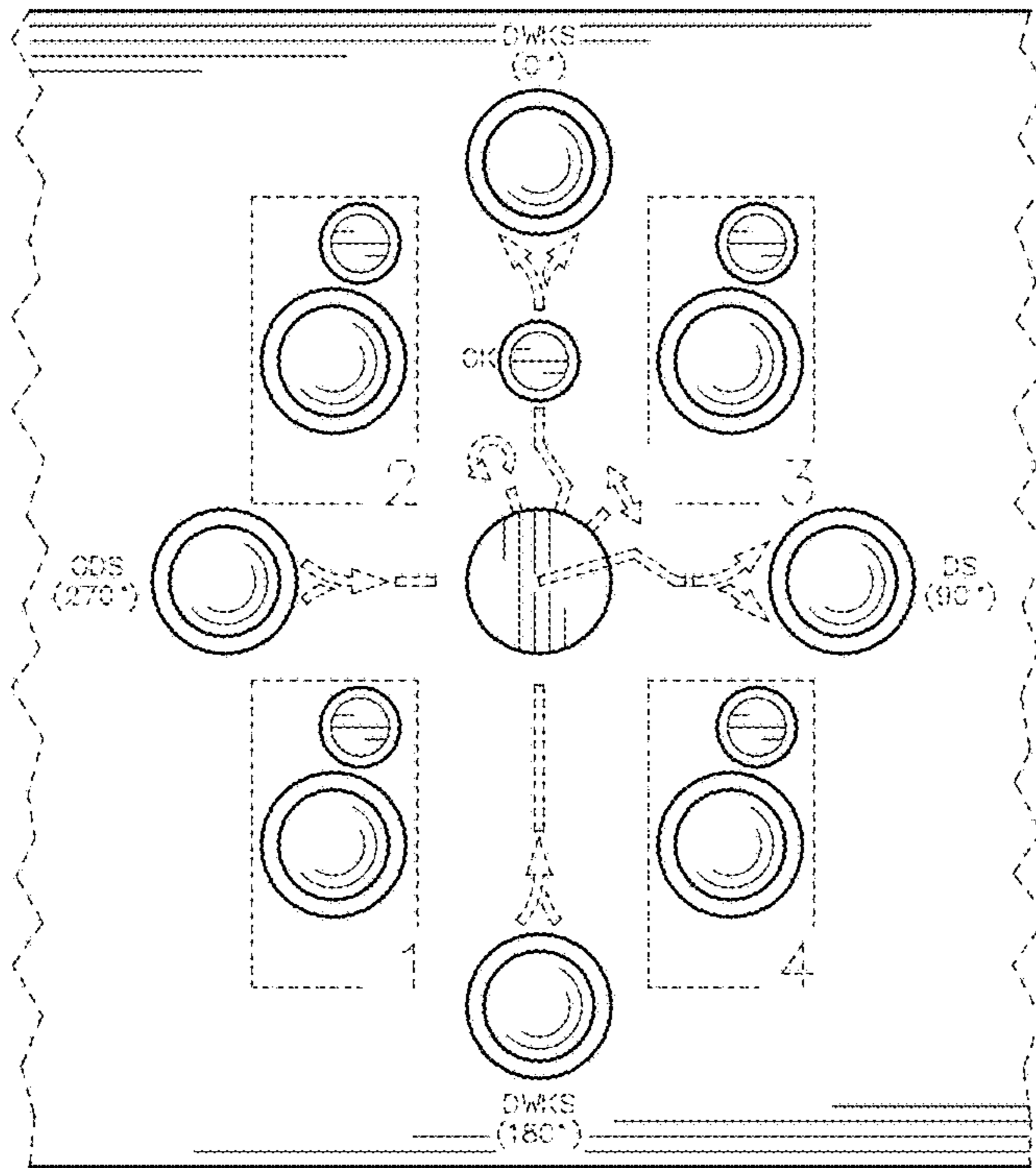
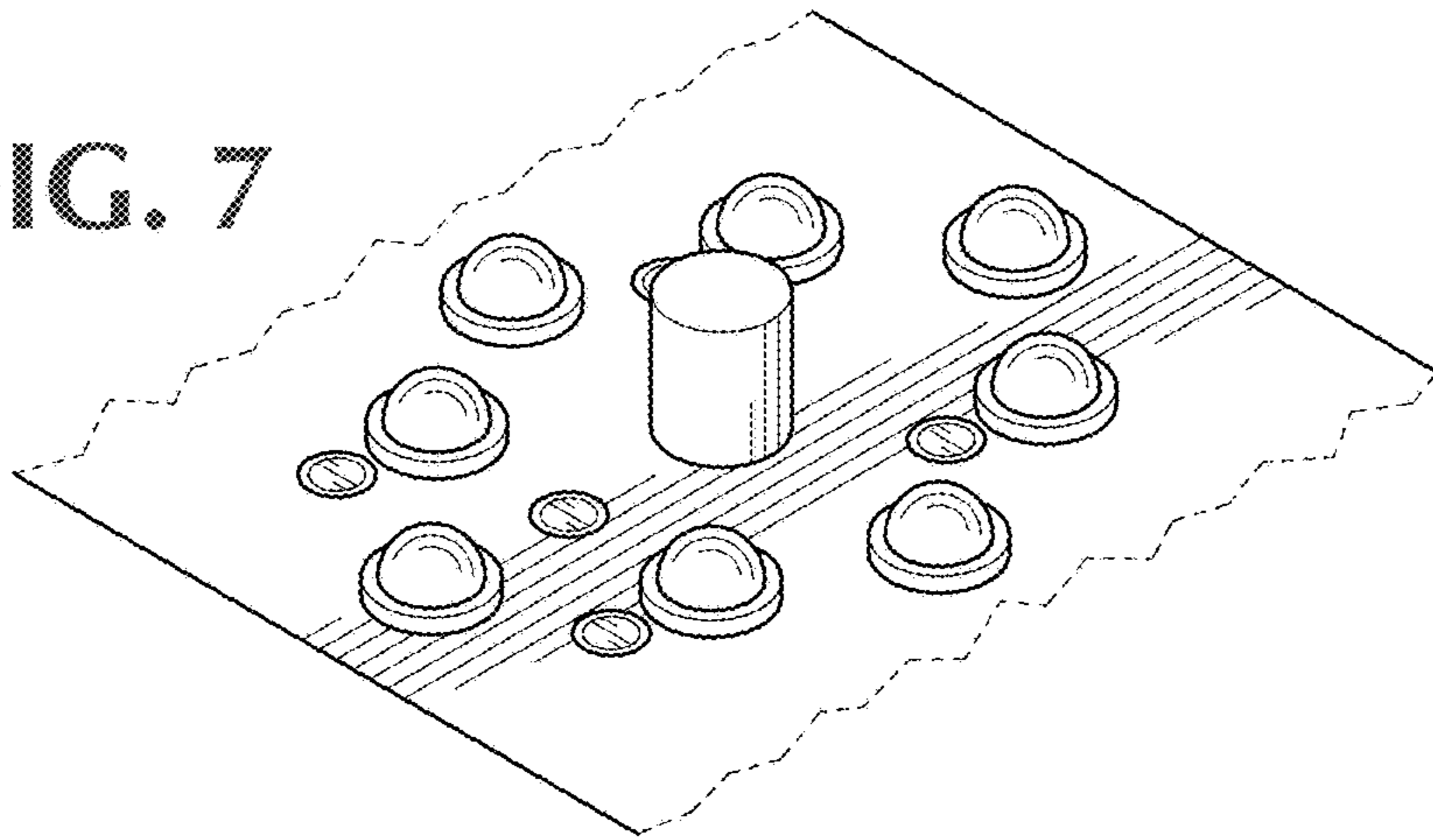


FIG. 8

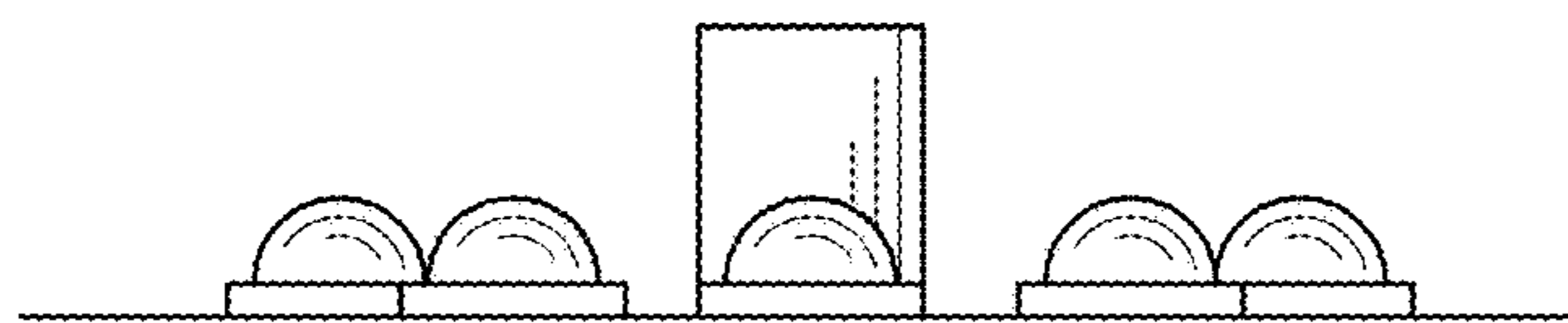


FIG. 9

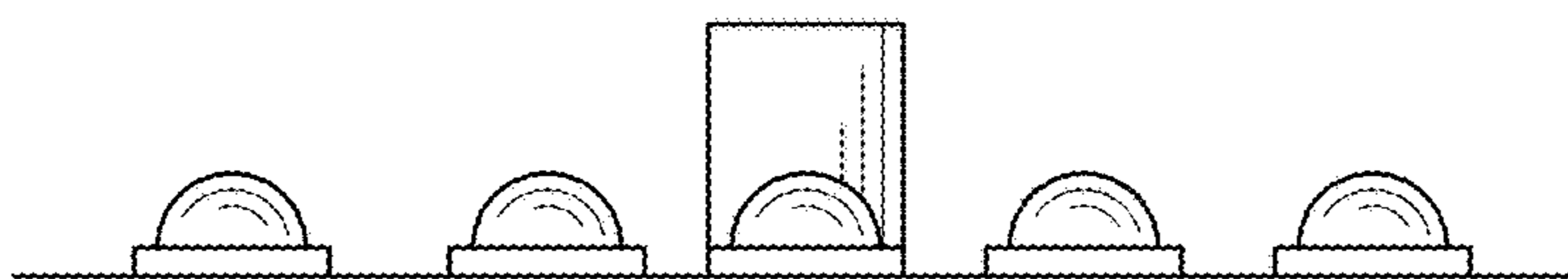


FIG. 10