



US00D789424S

(12) **United States Design Patent**  
**Roemer et al.**

(10) **Patent No.:** **US D789,424 S**  
(45) **Date of Patent:** **\*\* Jun. 13, 2017**

- (54) **ROAD ROLLER**
- (71) Applicant: **HAMM AG**, Tirschenreuth (DE)
- (72) Inventors: **Axel Roemer**, Tirschenreuth (DE);  
**Detlef Bornemann**, Tirschenreuth (DE);  
**Ulrich Ewringmann**, Taufkirchen (DE);  
**Boris Eickhoff**, Taufkirchen (DE)
- (73) Assignee: **HAMM AG**, Tirschenreuth (DE)
- (\*\*) Term: **15 Years**
- (21) Appl. No.: **29/567,991**
- (22) Filed: **Jun. 14, 2016**

- D589,067 S 3/2009 Yamamoto
- D611,505 S 3/2010 Loew et al.
- D611,506 S 3/2010 Loew et al.
- D657,397 S 4/2012 Loew
- 8,376,655 B2 2/2013 Marsolek et al.
- D694,278 S 11/2013 Ewringmann
- D694,279 S 11/2013 Ewringmann
- D699,764 S 2/2014 Loew et al.
- D744,543 S 12/2015 Loew et al.
- D745,063 S 12/2015 Loew et al.
- D749,142 S 2/2016 Erdmann et al.
- D749,143 S 2/2016 Erdmann et al.

*Primary Examiner* — Mark Goodwin  
(74) *Attorney, Agent, or Firm* — Greer, Burns & Crain, Ltd.

**Related U.S. Application Data**

- (62) Division of application No. 29/521,386, filed on Mar. 23, 2015, now Pat. No. Des. 765,735.

**Foreign Application Priority Data**

- Sep. 24, 2014 (EM) ..... 001421473-0004
- Sep. 24, 2014 (EM) ..... 001421473-0005

- (51) **LOC (10) Cl.** ..... **15-03**
- (52) **U.S. Cl.**

USPC ..... **D15/20**

- (58) **Field of Classification Search**
- USPC .... D15/10, 20, 22–26, 28; 280/104, 124.11;  
180/20, 89.12; 404/122, 132, 125, 90
- CPC ..... E02D 3/026; E02D 3/00; B30B 15/00
- See application file for complete search history.

(56) **References Cited**

**U.S. PATENT DOCUMENTS**

- D396,431 S 7/1998 Lindgren et al.
- D516,094 S 2/2006 Doetsch et al.

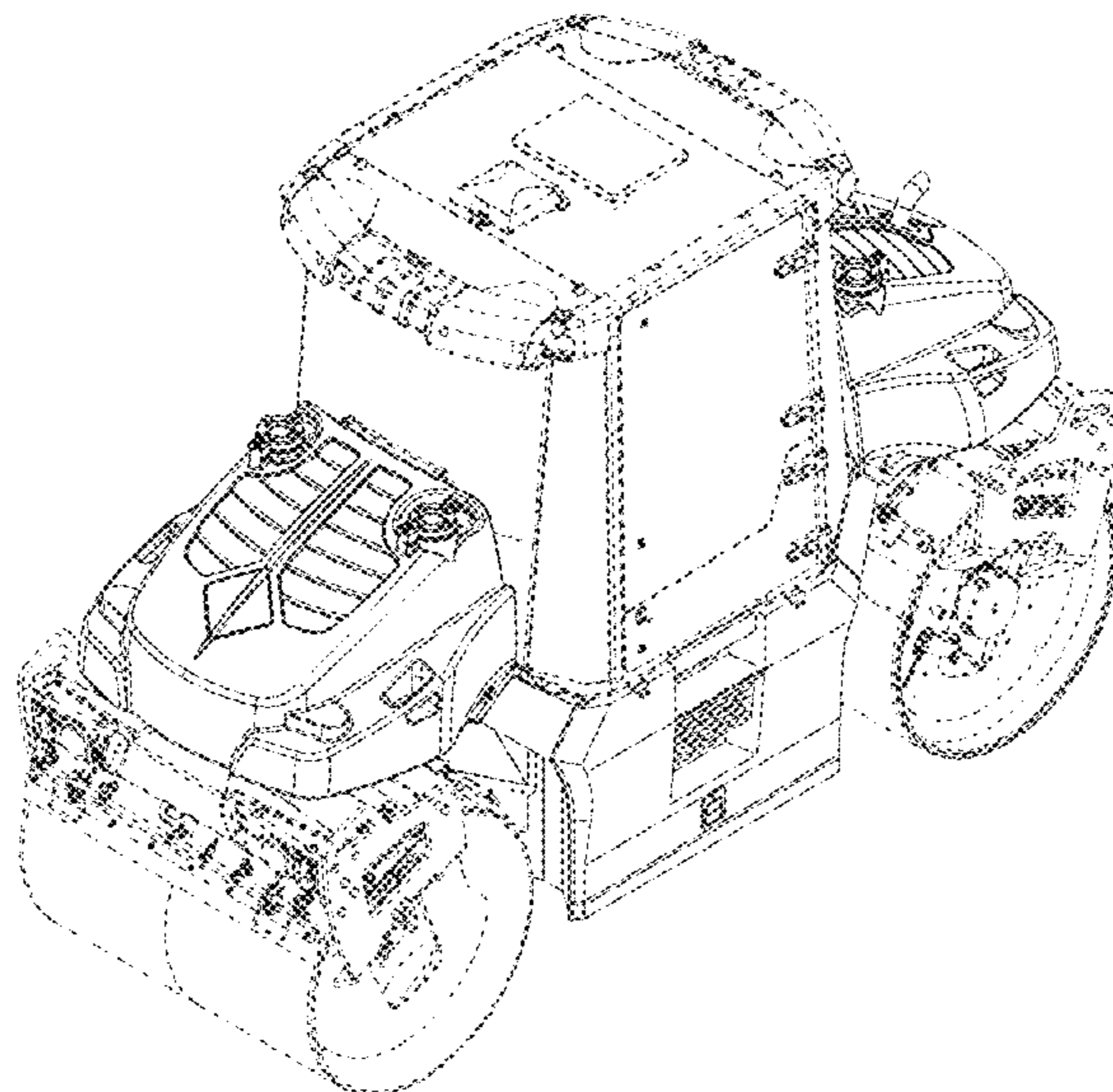
(57) **CLAIM**

The ornamental design for road roller, as shown and described.

**DESCRIPTION**

FIG. 1 is a top front perspective view of a road roller showing our new design;  
 FIG. 2 is a top rear perspective view of the road roller of FIG. 1;  
 FIG. 3 is a front view of same;  
 FIG. 4 is a rear view of the road roller of FIG. 1;  
 FIG. 5 is a left side view of same;  
 FIG. 6 is a right side view of same; and,  
 FIG. 7 is a top view of same.  
 The structure shown in broken lines is for environment purposes only and does not form part of the claimed invention.

**1 Claim, 7 Drawing Sheets**



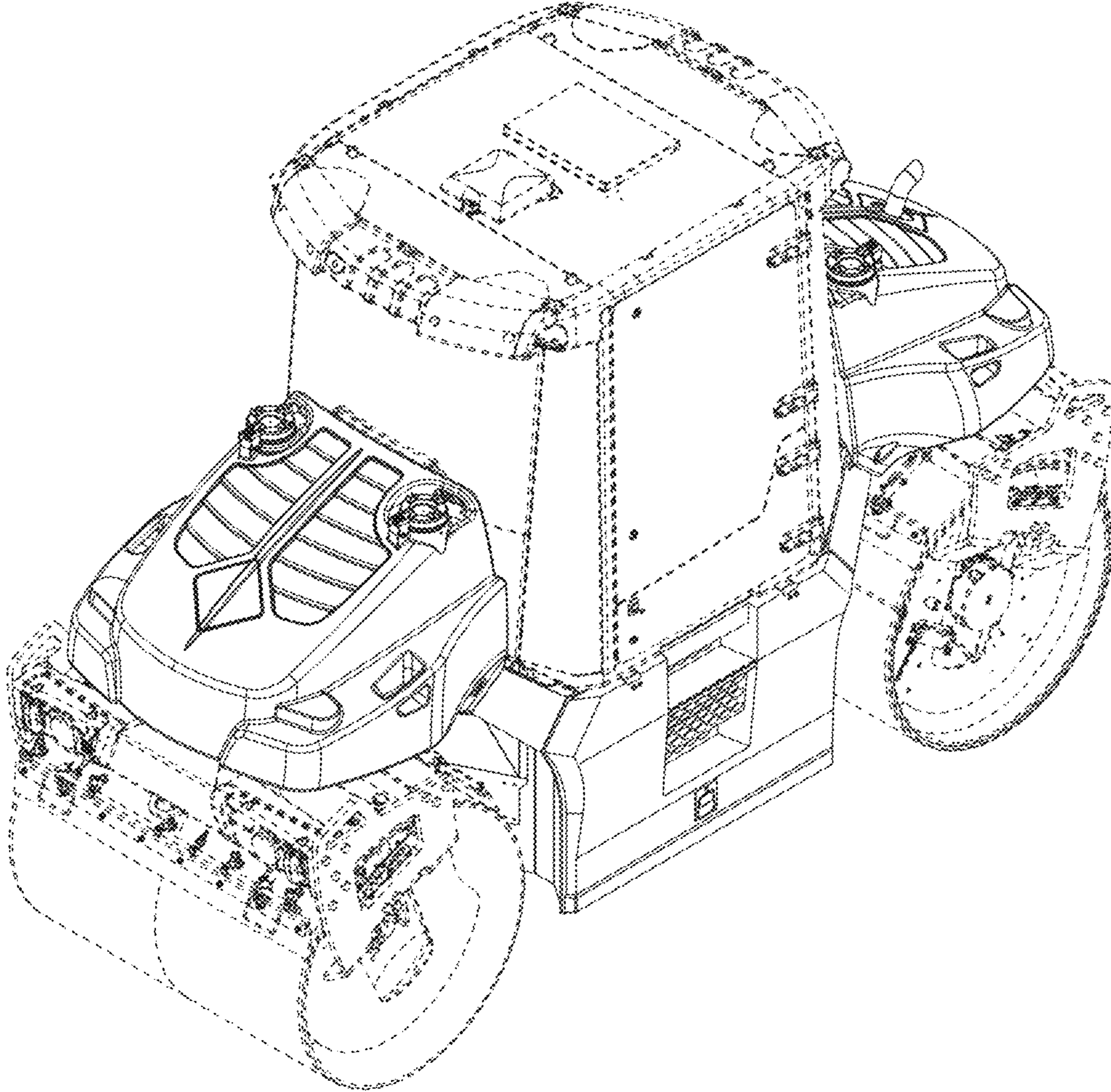


FIG. 1



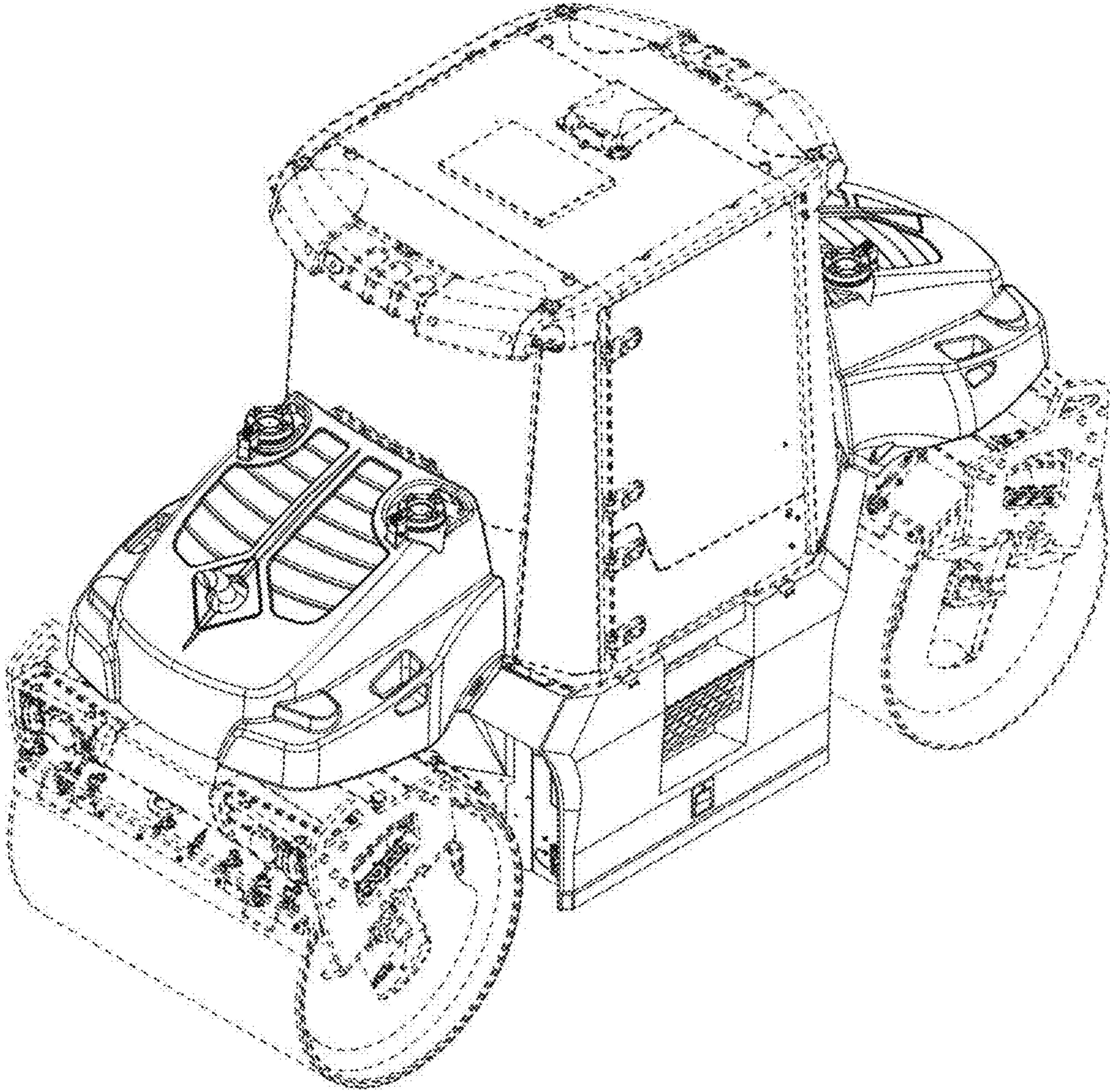


FIG. 2

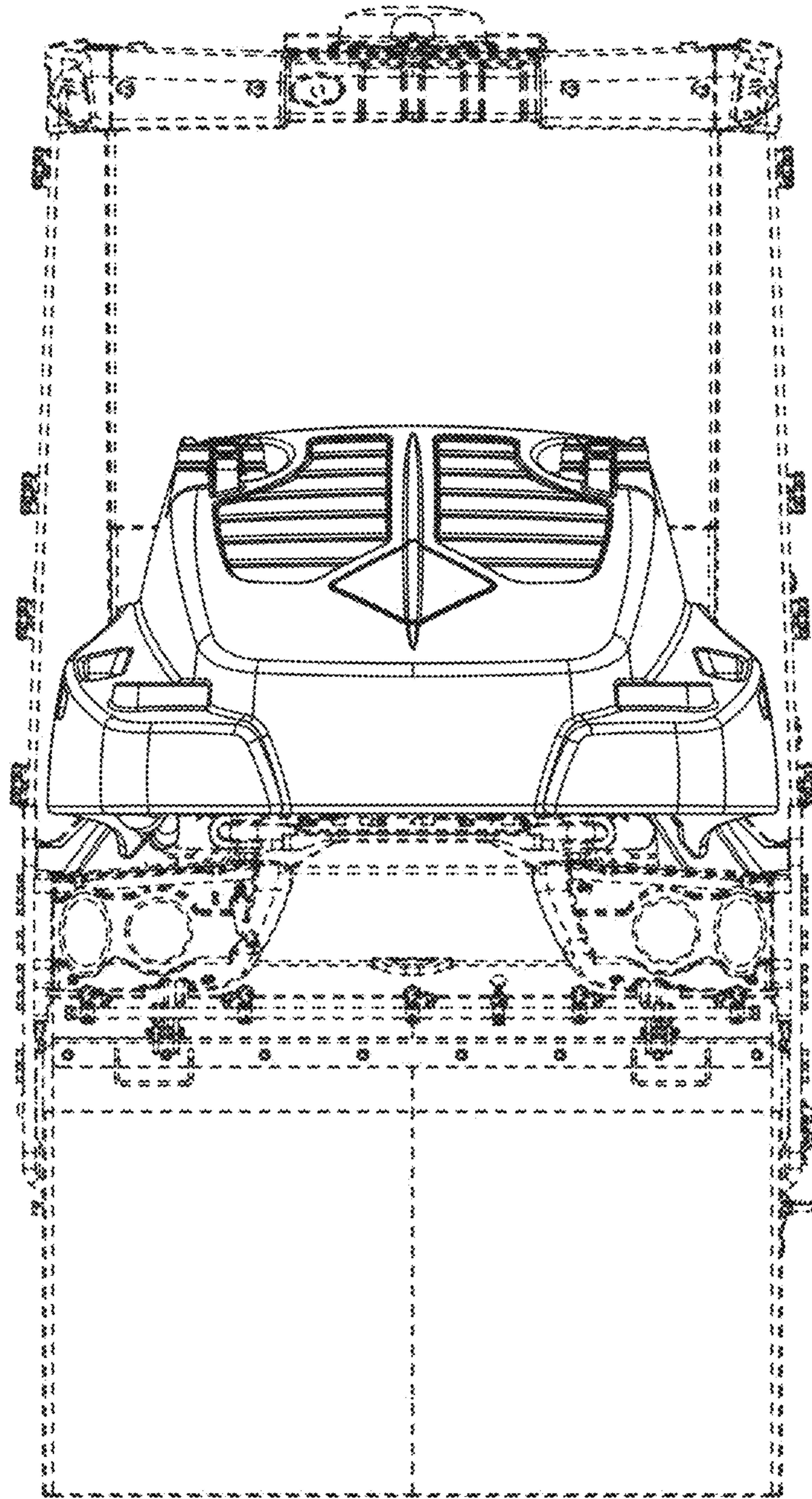


FIG. 3



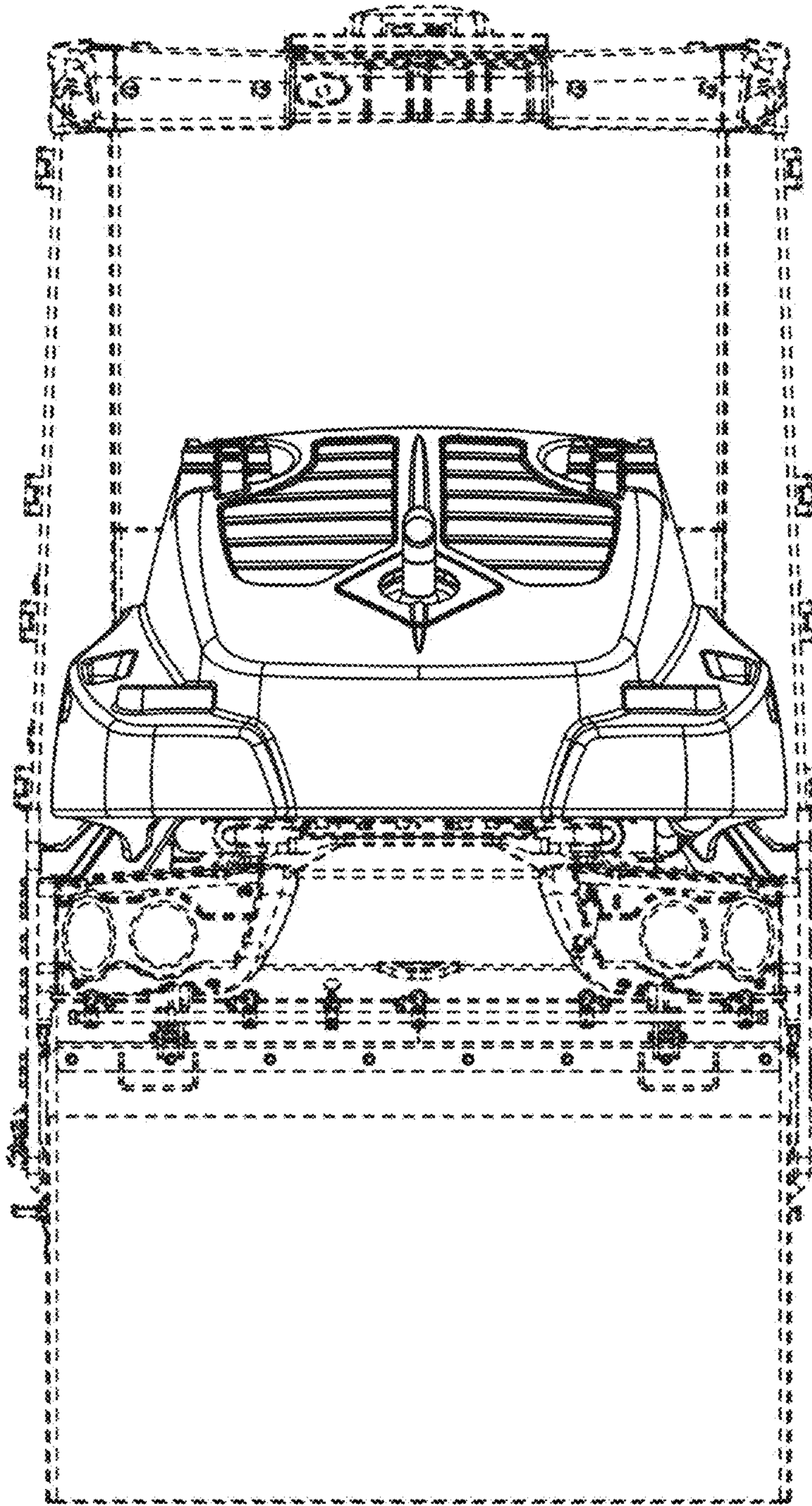


FIG. 4

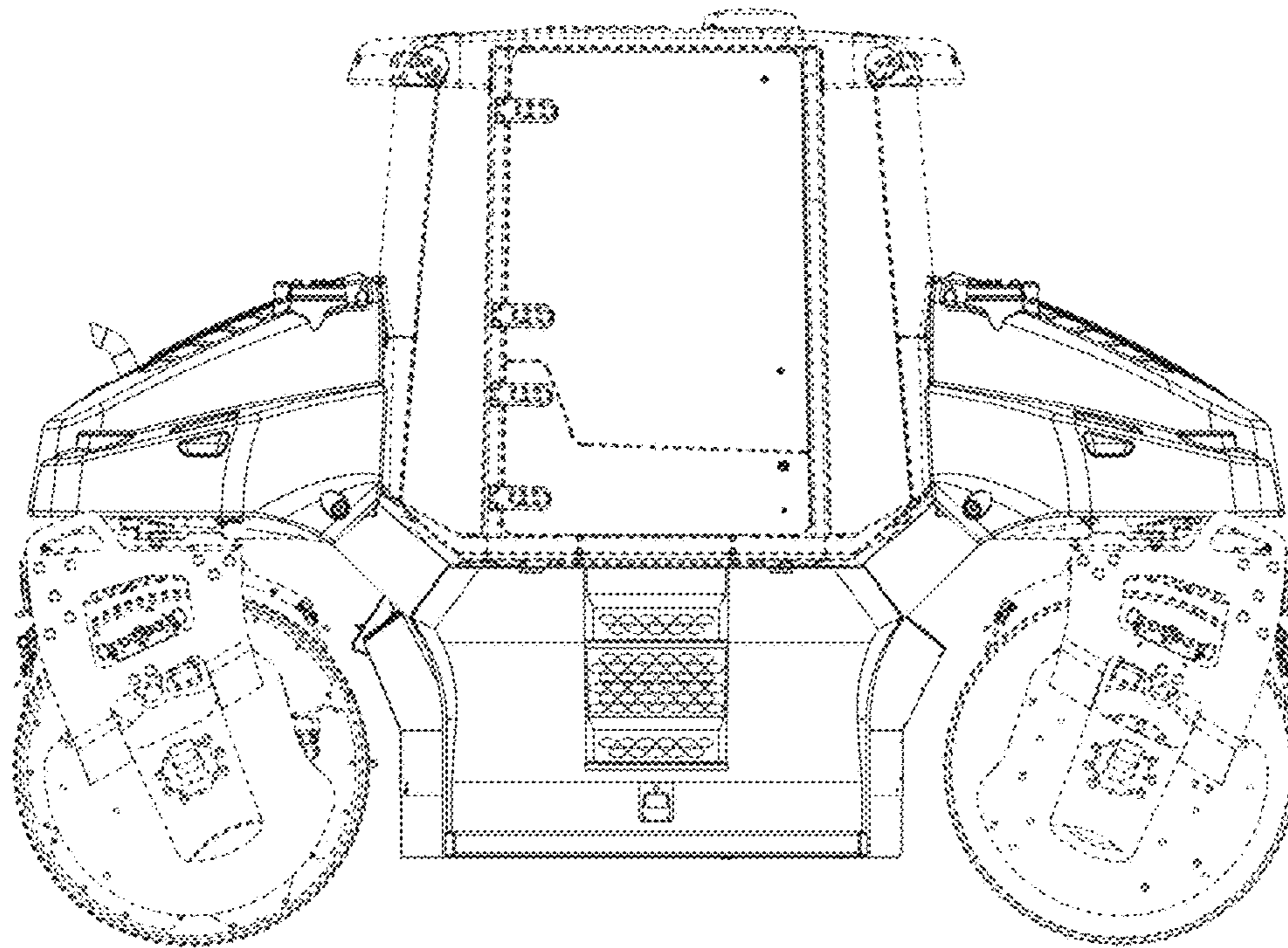


FIG. 5

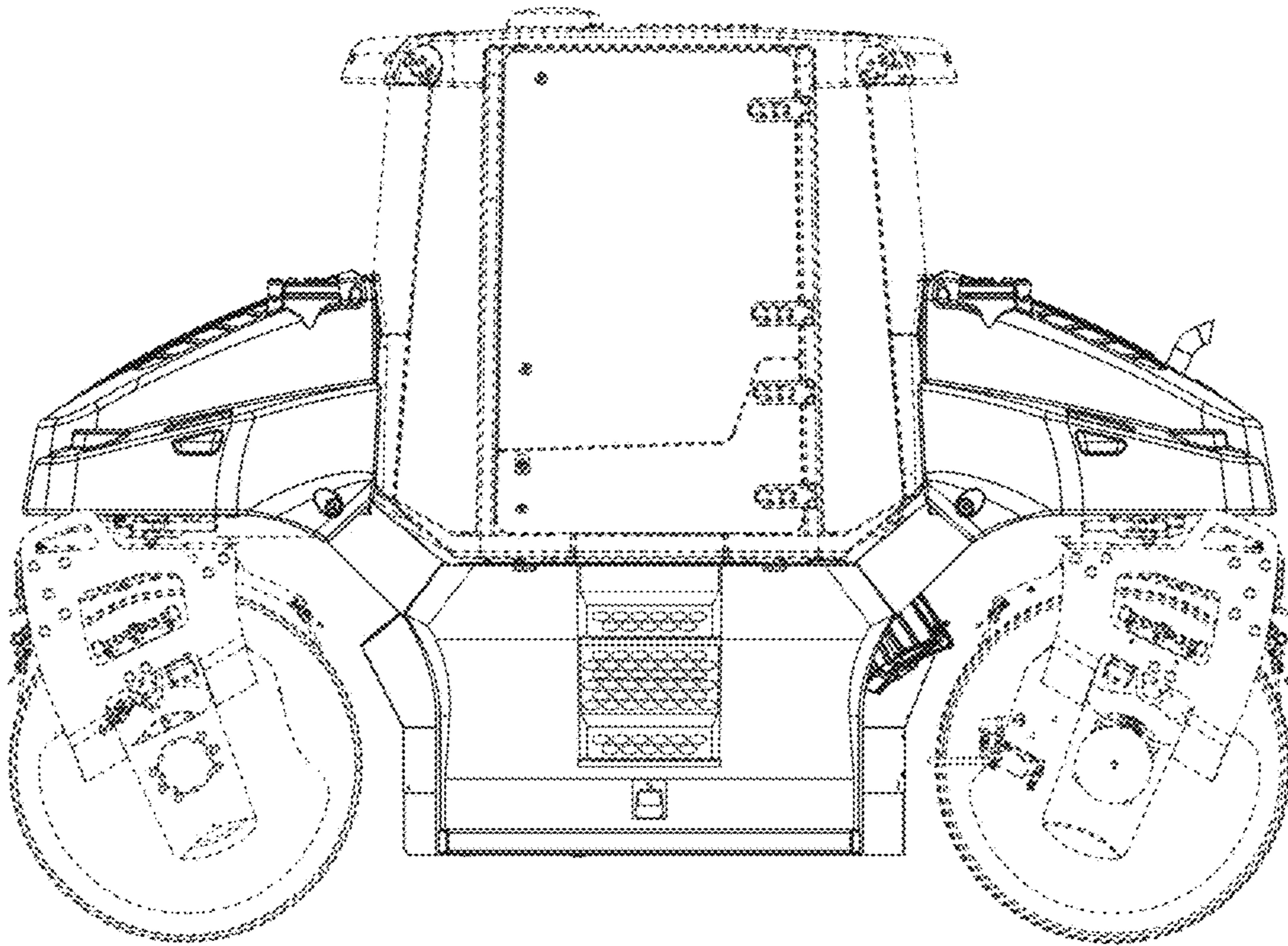


FIG. 6



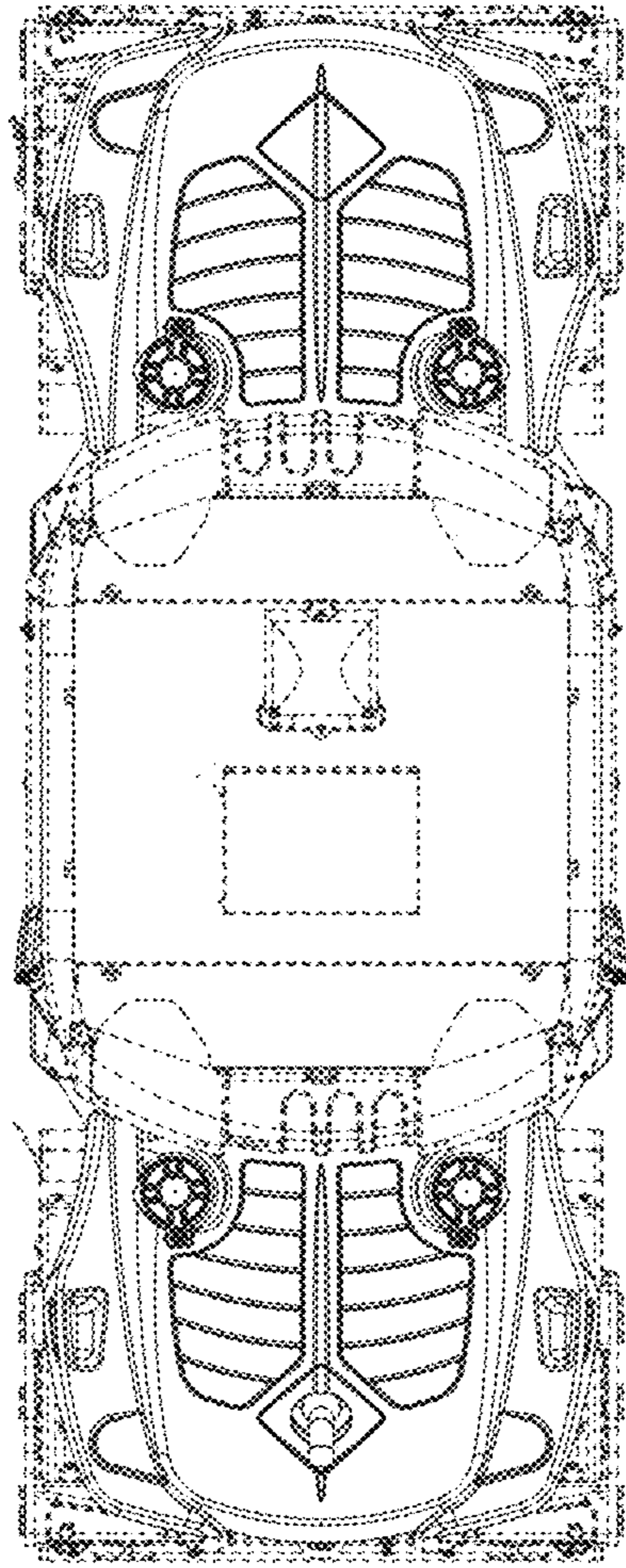


FIG. 7