



US00D789422S

(12) **United States Design Patent**
Theiss

(10) **Patent No.:** **US D789,422 S**
(45) **Date of Patent:** **** Jun. 13, 2017**

(54) **CENTRAL RING PORTION OF A POSITIVE DISPLACEMENT PUMP**

D725,153 S * 3/2015 Berry D15/7
D745,058 S * 12/2015 Iversen D15/7
D763,322 S * 8/2016 Haugaard D15/7

(71) Applicant: **Watson Marlow GmbH**, Ilsfeld (DE)

FOREIGN PATENT DOCUMENTS

(72) Inventor: **Peter Theiss**, Stuttgart (DE)

RU 67820 S U1 11/2007
TW D158574 1/2014

(73) Assignee: **Watson Marlow GmbH**, Ilsfeld (DE)

OTHER PUBLICATIONS

(**) Term: **15 Years**

Notice of Allowance for the Taiwanese Application No. 105301186 dated Jun. 29, 2016.
Notice of Allowance for Russian Application No. 2016500807/49 dated Mar. 4, 2016.

(21) Appl. No.: **29/557,508**

(22) Filed: **Mar. 9, 2016**

* cited by examiner

(30) **Foreign Application Priority Data**

Sep. 9, 2015 (EM) 002769489

Primary Examiner — Ralf Seifert

(51) **LOC (10) Cl.** **15-02**

(74) *Attorney, Agent, or Firm* — Honigman Miller Schwartz and Cohn LLP

(52) **U.S. Cl.**

USPC **D15/7**

(58) **Field of Classification Search**

USPC D15/7-9; D23/231, 232, 225; 417/60, 417/235, 265, 321, 355, 358, 363, 359, 417/410.1, 415-416, 405, 900, 269, 539; 60/408, 412; 184/26-37; 415/140-147; 123/495, 509; 137/565.34
CPC F02M 37/04; F02M 37/14; F04B 53/92; F04B 1/005

(57) **CLAIM**

The ornamental design for a central ring portion of a positive displacement pump, as shown and described.

See application file for complete search history.

DESCRIPTION

FIG. 1 is a front/right side isometric view of a central ring portion of a positive displacement pump;
FIG. 2 is a front elevational view of the pump of FIG. 1;
FIG. 3 is a rear elevational view of the pump of FIG. 1;
FIG. 4 is a right side elevational view of the pump of FIG. 1;
FIG. 5 is a left side elevational view of the pump of FIG. 1;
FIG. 6 is a top plan view of the pump of FIG. 1; and
FIG. 7 is bottom plan view of the pump of FIG. 1.
The broken line showing of elements is included for the purpose of illustrating environmental matter and forms no part of the claimed design.

(56) **References Cited**

U.S. PATENT DOCUMENTS

D229,236 S * 11/1973 Doolin D15/7
D613,635 S * 4/2010 Chu D15/9
D650,813 S * 12/2011 Varini D15/7
D657,799 S * 4/2012 Jung D15/7
D660,320 S * 5/2012 Varini D15/7
D668,684 S * 10/2012 Noguchi D15/9
D719,192 S * 12/2014 Schlenker D15/7

1 Claim, 7 Drawing Sheets

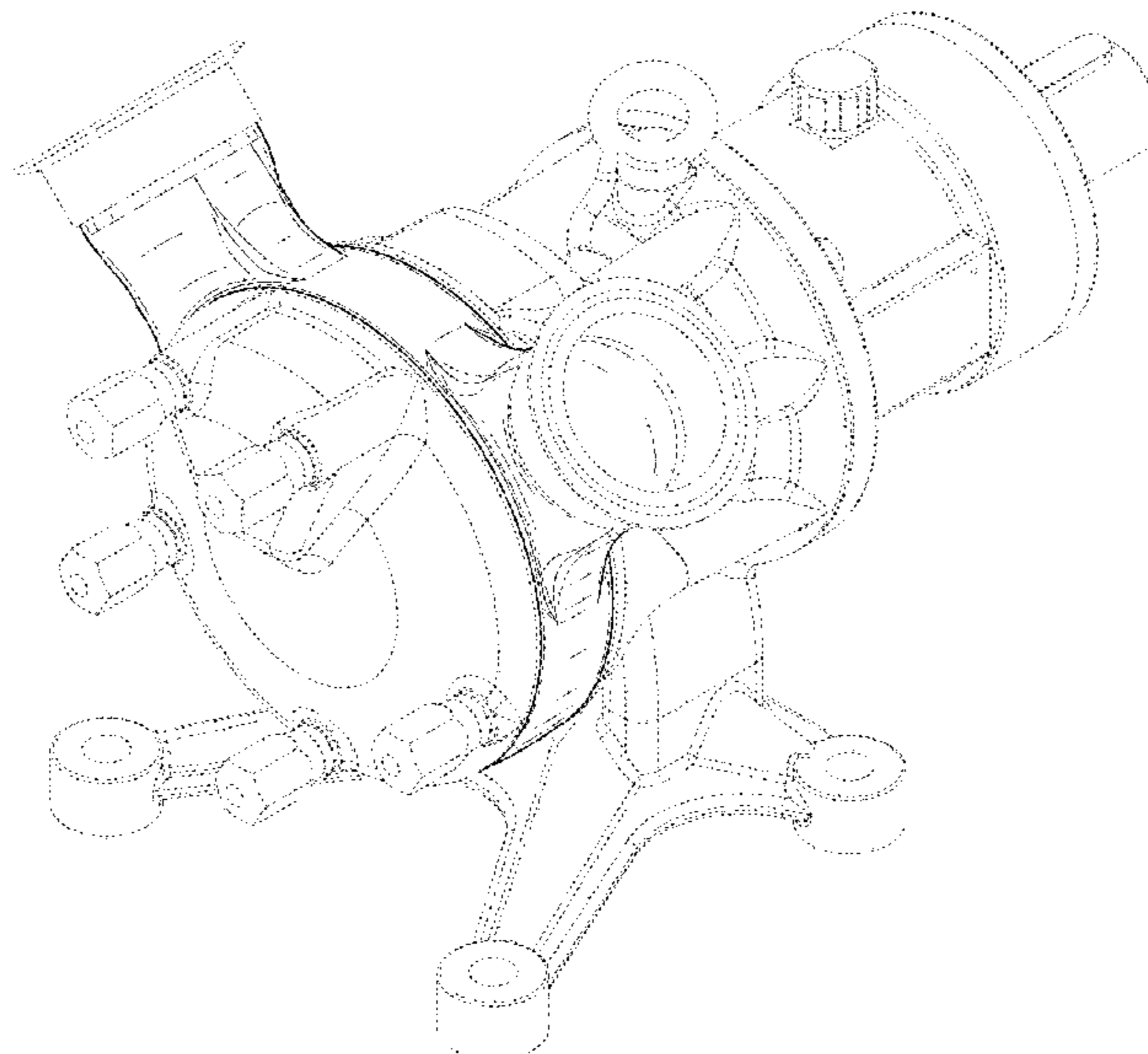
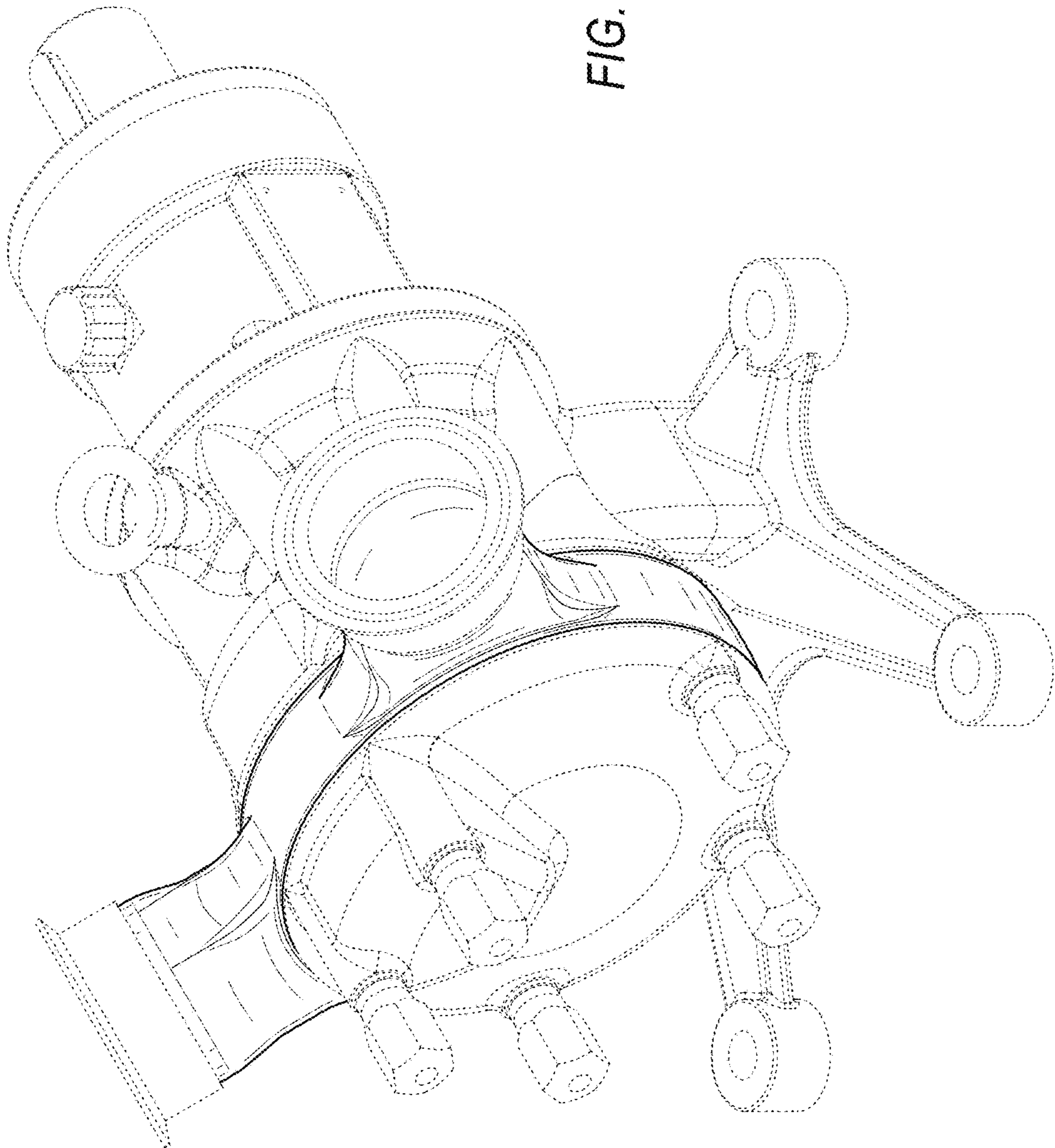


FIG. 1



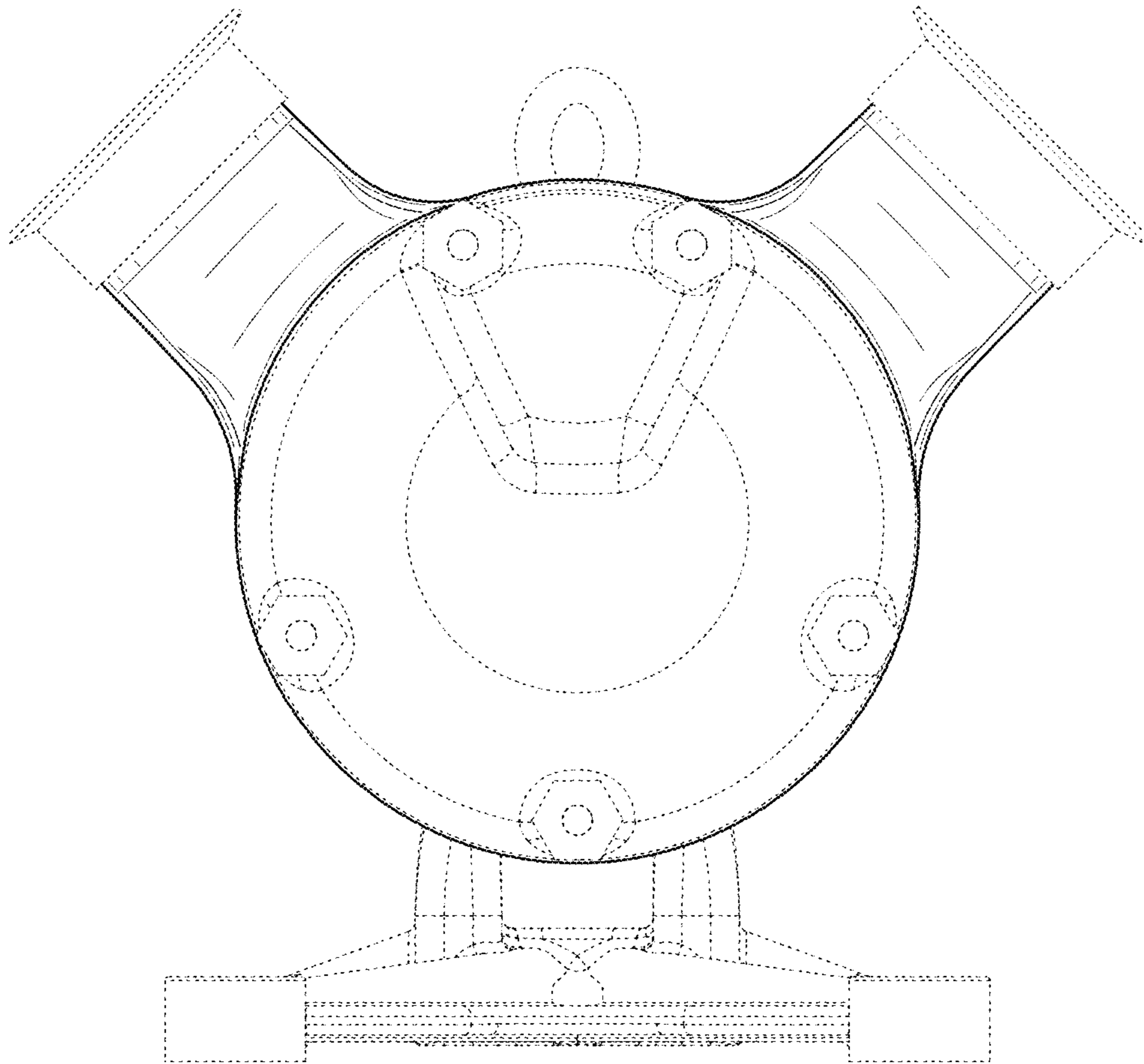


FIG. 2

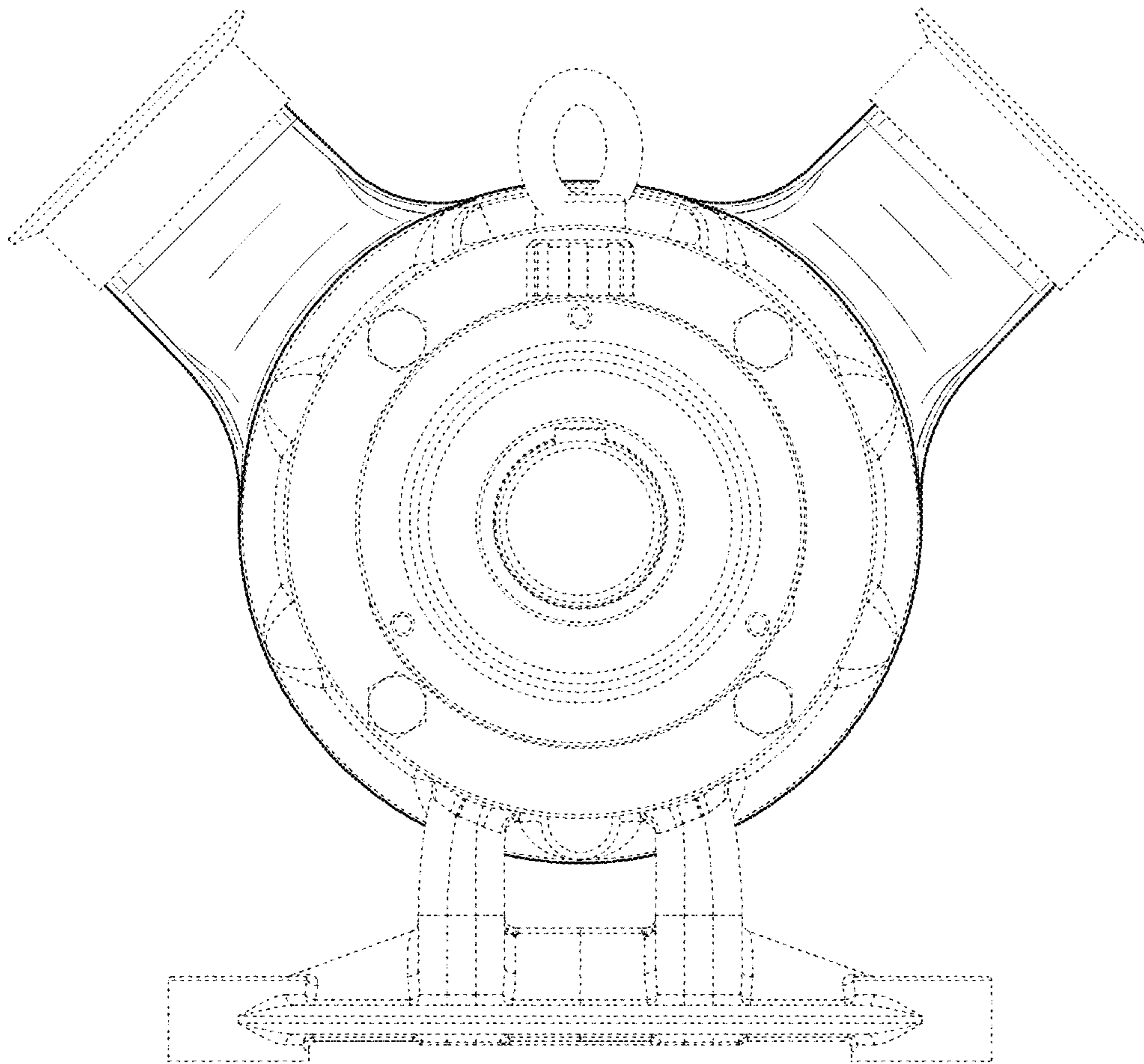


FIG. 3

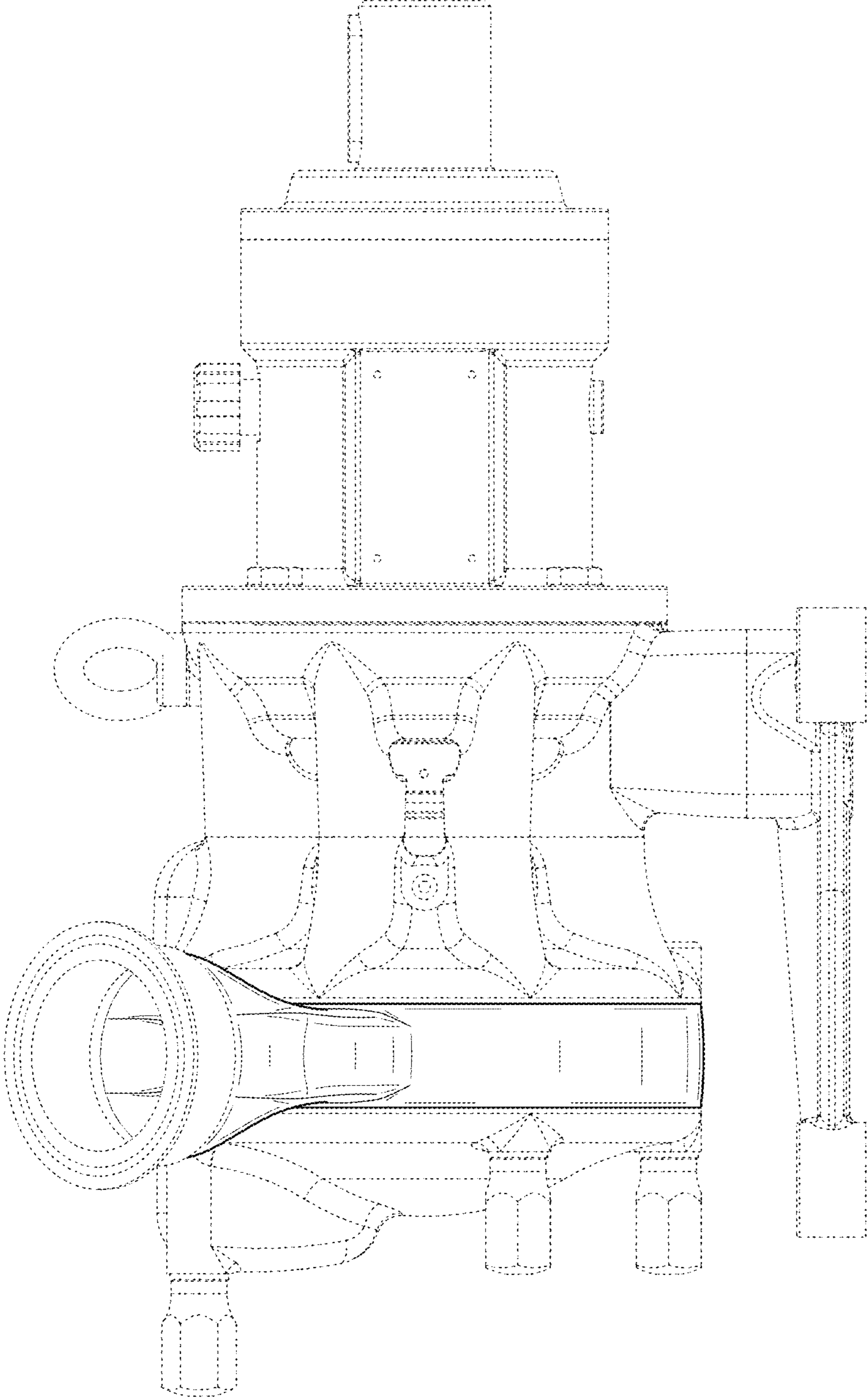


FIG. 4

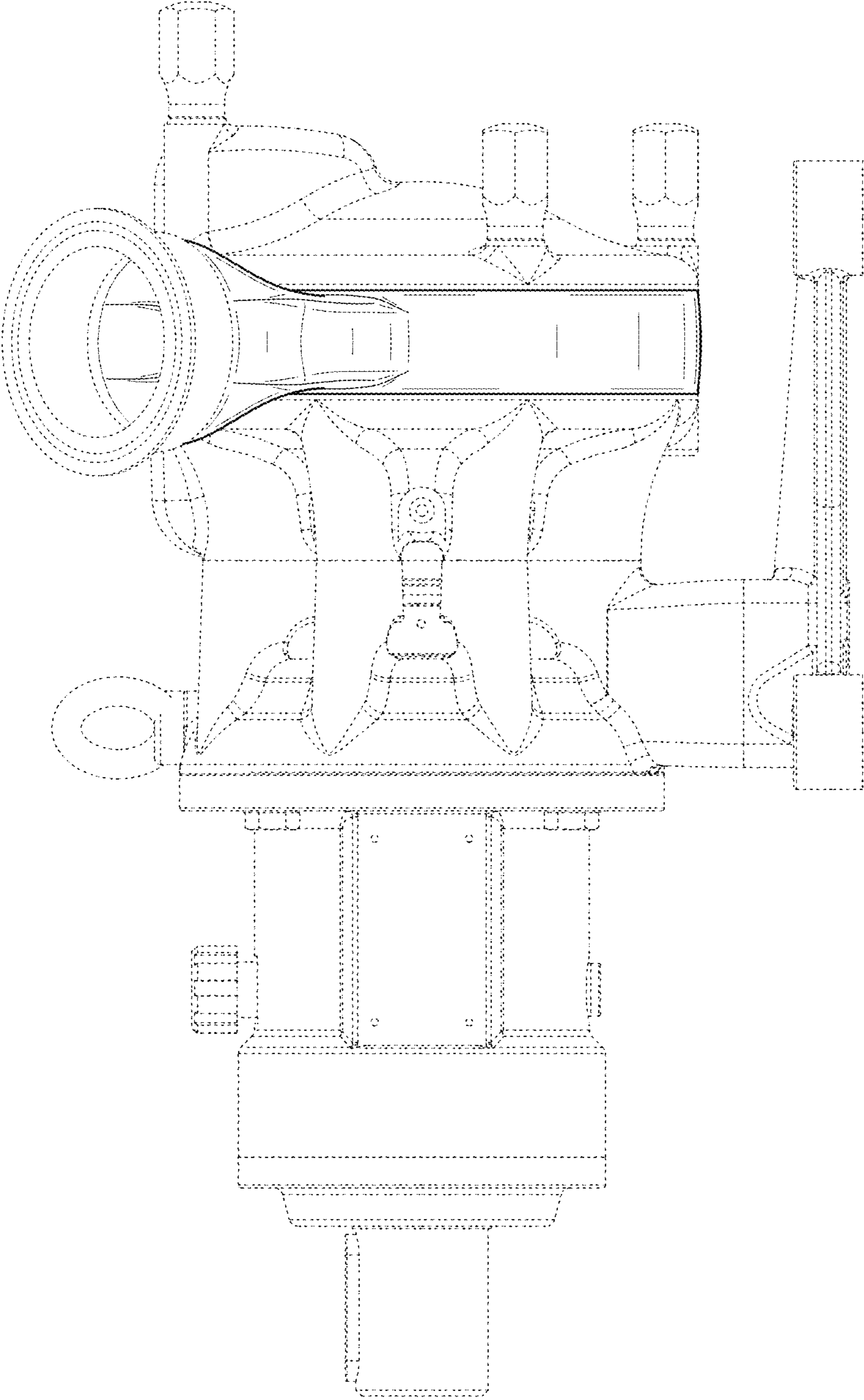


FIG. 5

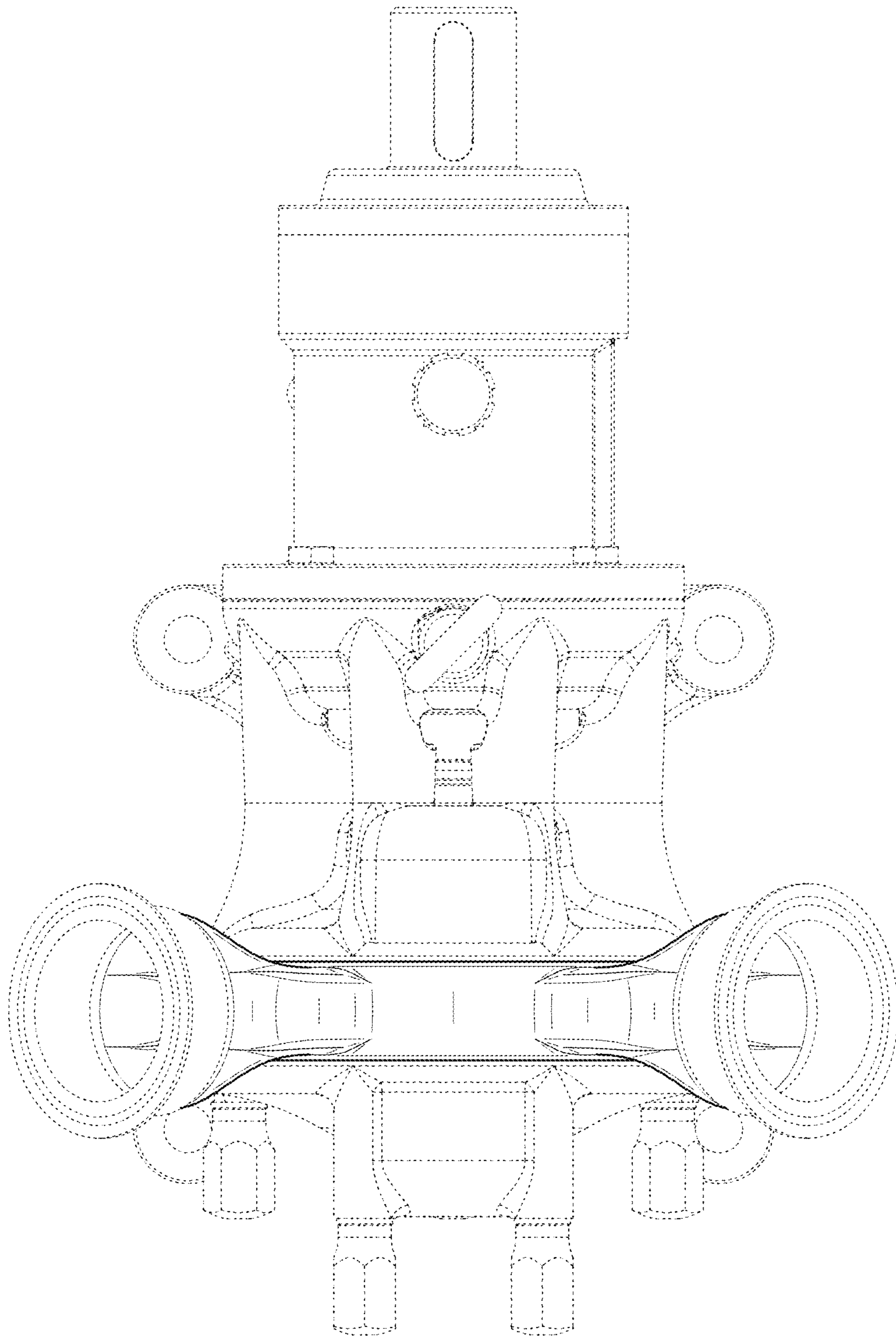


FIG. 6

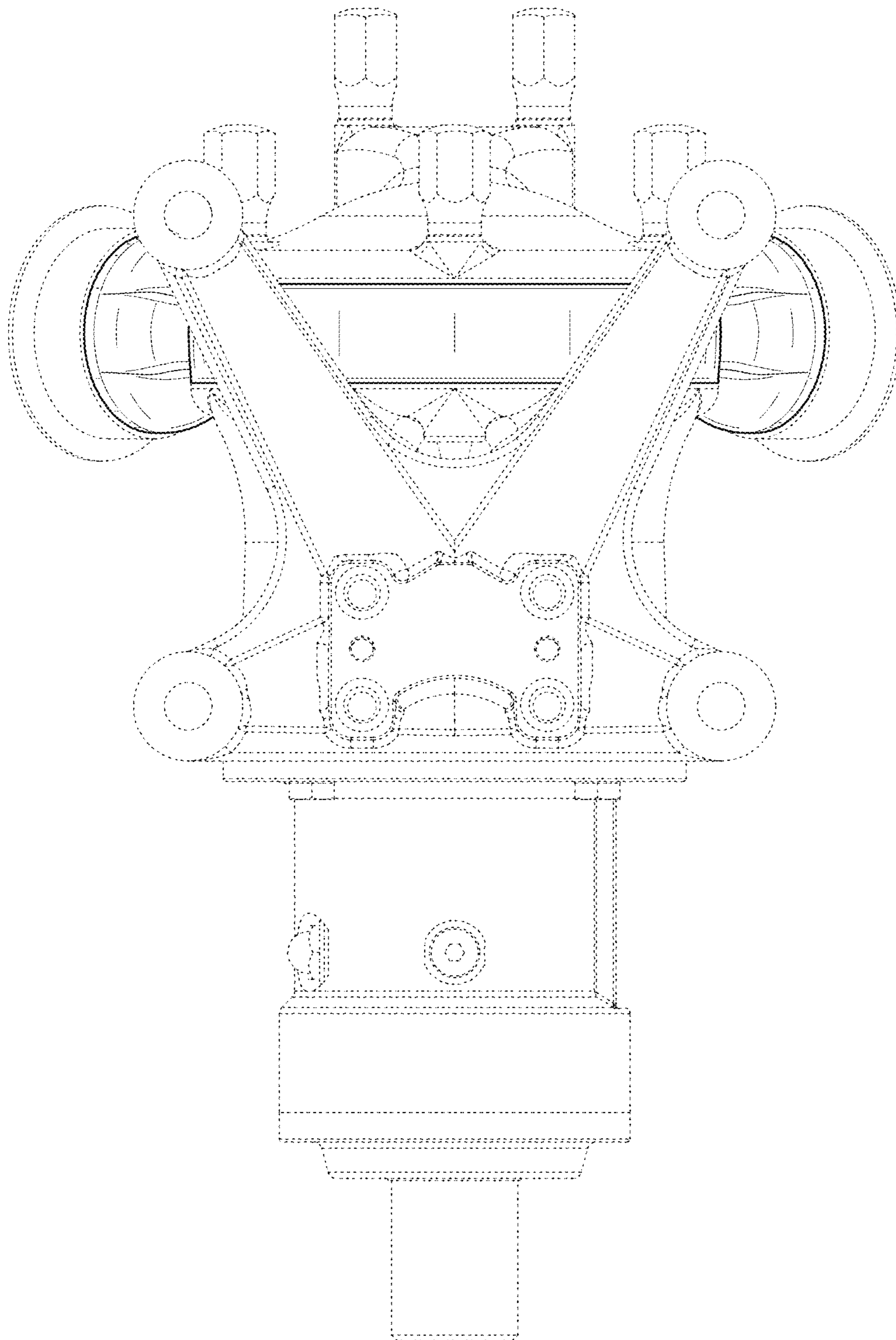


FIG. 7