



US00D789421S

(12) **United States Design Patent**
Wrobel et al.

(10) **Patent No.:** **US D789,421 S**
(45) **Date of Patent:** **** Jun. 13, 2017**

(54) **MODULAR INDUSTRIAL TOUCHSCREEN ENCLOSURE**

(71) Applicant: **Rockwell Automation Technologies, Inc.**, Mayfield Heights, OH (US)

(72) Inventors: **Adam M. Wrobel**, Cleveland, OH (US); **Andrew P. Kaufman**, Kenosha, WI (US); **Daniel Henneberry**, Hartford, WI (US); **Randy Scott Oakley**, Waukesha, WI (US)

(73) Assignee: **Rockwell Automation Technologies, Inc.**, Mayfield Heights, OH (US)

(**) Term: **15 Years**

(21) Appl. No.: **29/545,722**

(22) Filed: **Nov. 16, 2015**

(51) **LOC (10) Cl.** **14-03**

(52) **U.S. Cl.**
USPC **D14/496**

(58) **Field of Classification Search**
USPC D14/496, 401, 435, 474, 483, 217, 137, D14/138, 160, 168, 356, 203.1–203.8, D14/507; 345/156, 169, 173–179, 905; 715/727–729, 864; 710/1, 5, 8; 713/1, 713/600; 455/1.1, 1.7, 73, 344–347, 93, 455/95, 3.01–3.06, 550.1, 573.1; 370/342–344; 369/1, 2, 6–12; 463/43–47; 273/148 B
CPC H04N 5/00; H04B 10/00; H04J 14/00; G10H 7/00; G11B 7/00
See application file for complete search history.

(56) **References Cited**

U.S. PATENT DOCUMENTS

D284,084 S * 6/1986 Ferrara, Jr. D14/389
5,594,471 A * 1/1997 Deeran G06F 3/04886
178/18.03

6,313,624 B1 * 11/2001 Alhorn G01B 7/30
310/68 B
D464,328 S * 10/2002 Vasquez D13/164
D464,948 S * 10/2002 Vasquez D14/218
D531,166 S * 10/2006 Baird H04R 1/02
D14/207
D680,151 S * 4/2013 Katori D16/242
8,612,591 B2 * 12/2013 Dawes G06F 17/30873
709/219
8,713,132 B2 * 4/2014 Baum G06F 17/30017
709/217
9,172,553 B2 * 10/2015 Dawes G06F 17/30873
9,191,228 B2 * 11/2015 Fulker G06F 17/30873
9,306,809 B2 * 4/2016 Dawes H04L 41/18

* cited by examiner

Primary Examiner — Prabhakar Deshmukh

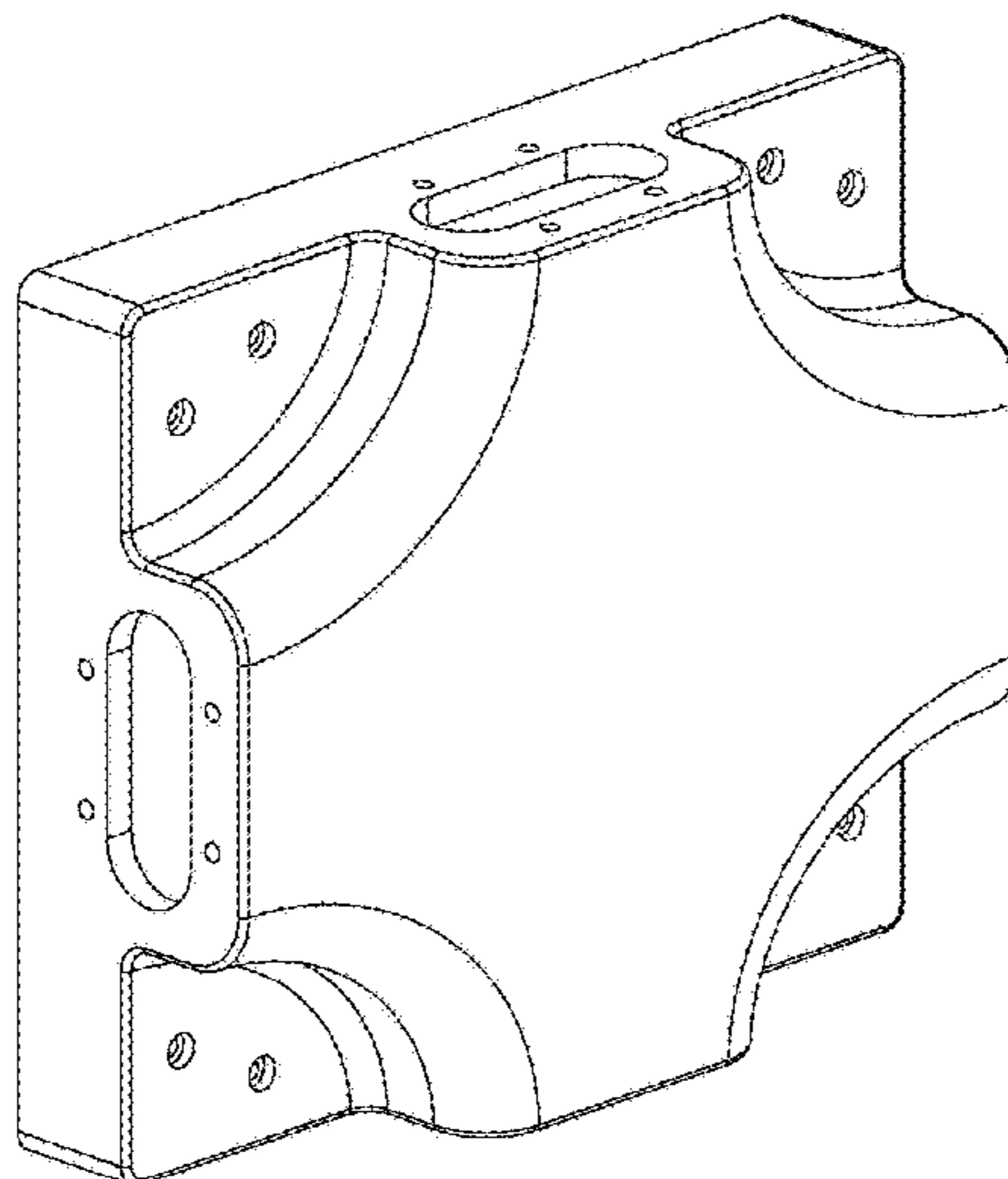
(57) **CLAIM**

The ornamental design for a modular industrial touchscreen enclosure, as shown and described.

DESCRIPTION

FIG. 1 is a perspective view of a modular industrial touchscreen enclosure showing our new design; FIG. 2 is a front elevational view thereof; FIG. 3 is a rear elevational view thereof; FIG. 4 is a top plan view thereof; FIG. 5 is a bottom plan view thereof; FIG. 6 is a right side elevational view thereof; and, FIG. 7 is a left side elevational view thereof. The broken lines illustrate unclaimed portions and form no part of the claimed design.

1 Claim, 3 Drawing Sheets



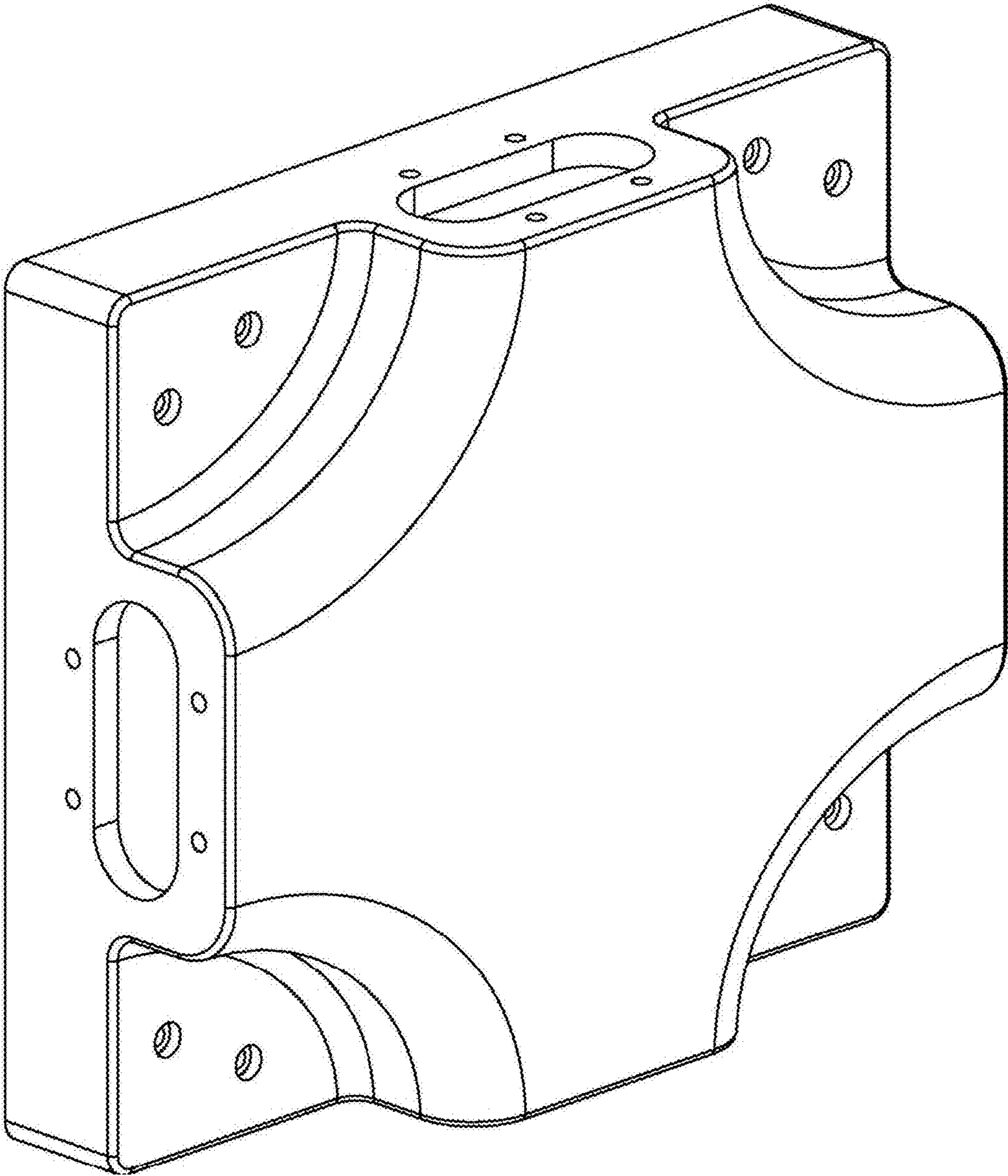


FIG. 1

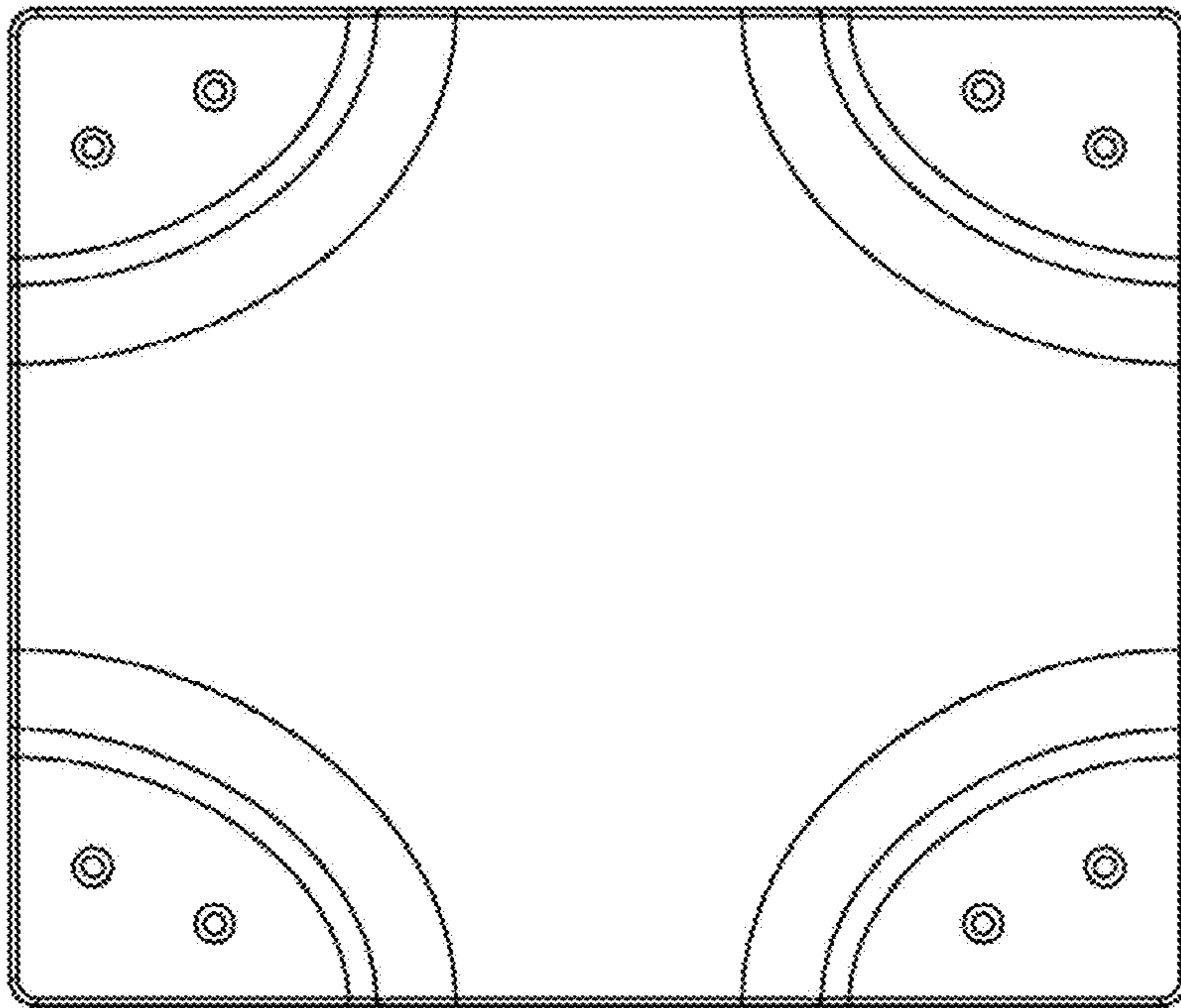


FIG. 2

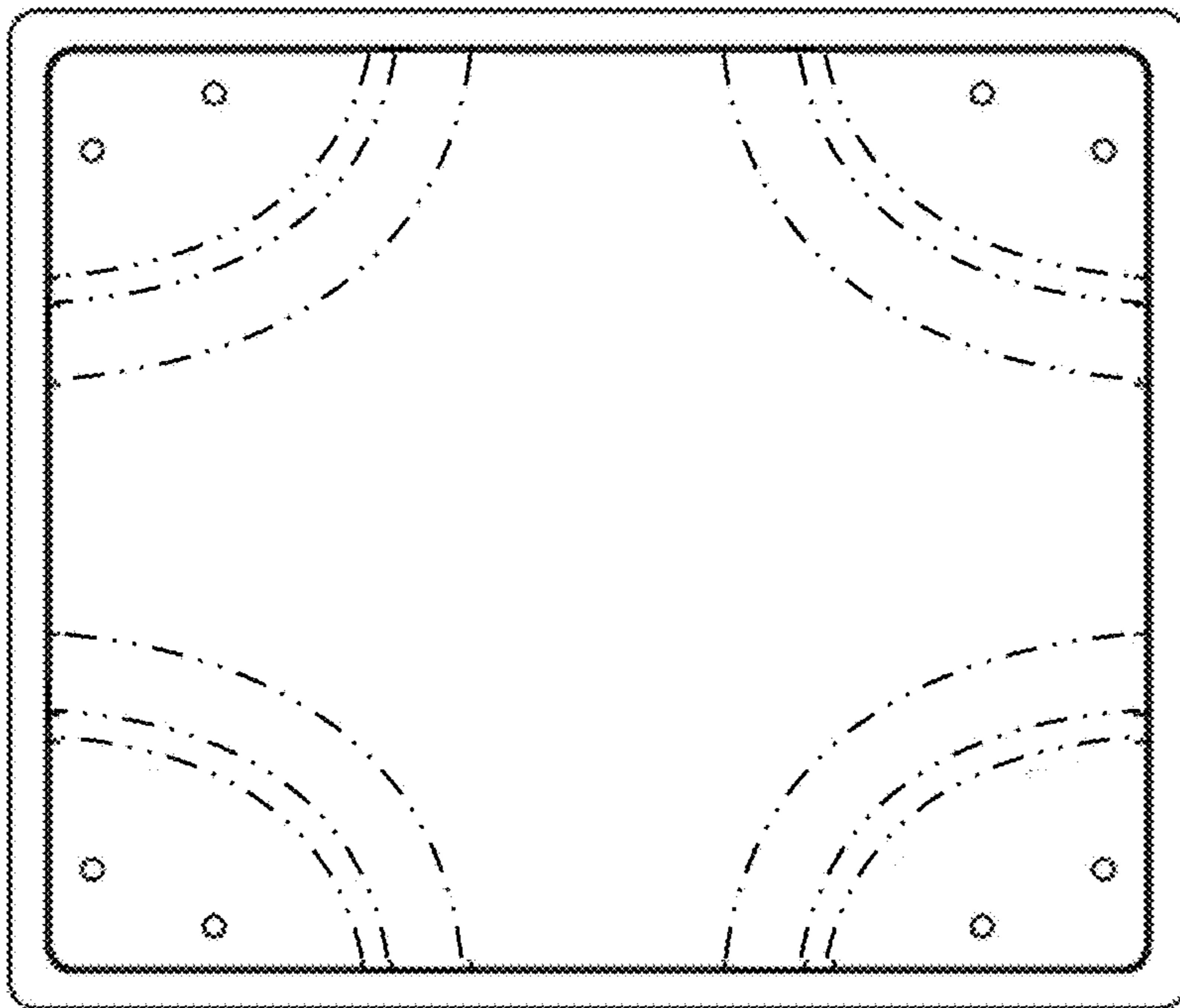


FIG. 3

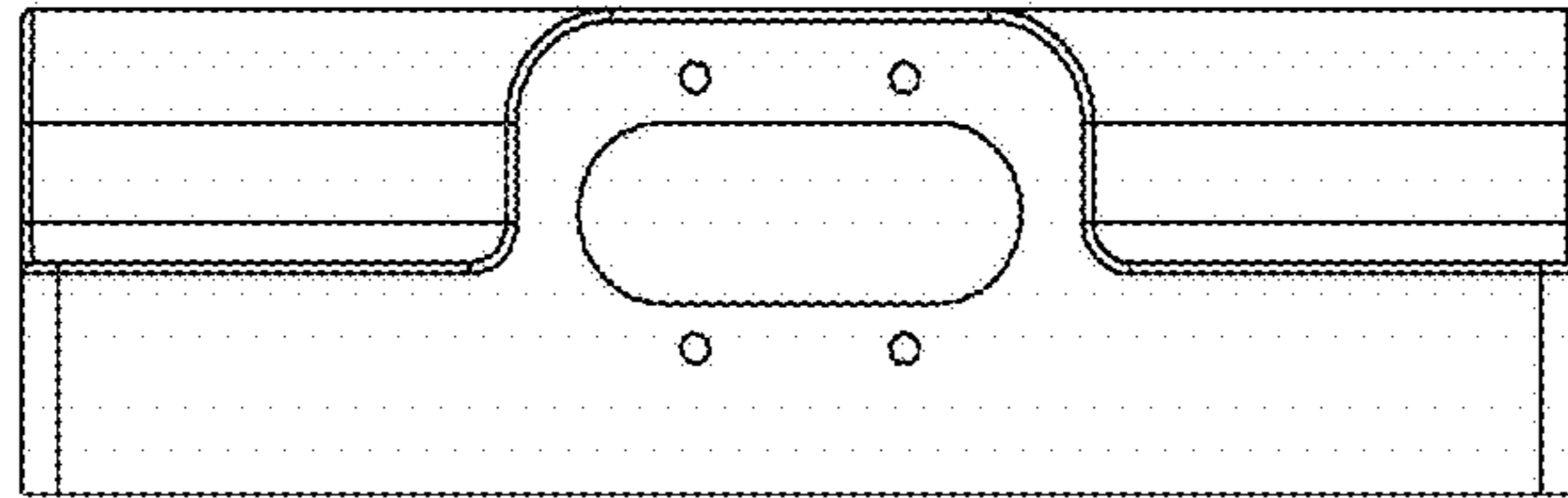


FIG. 4

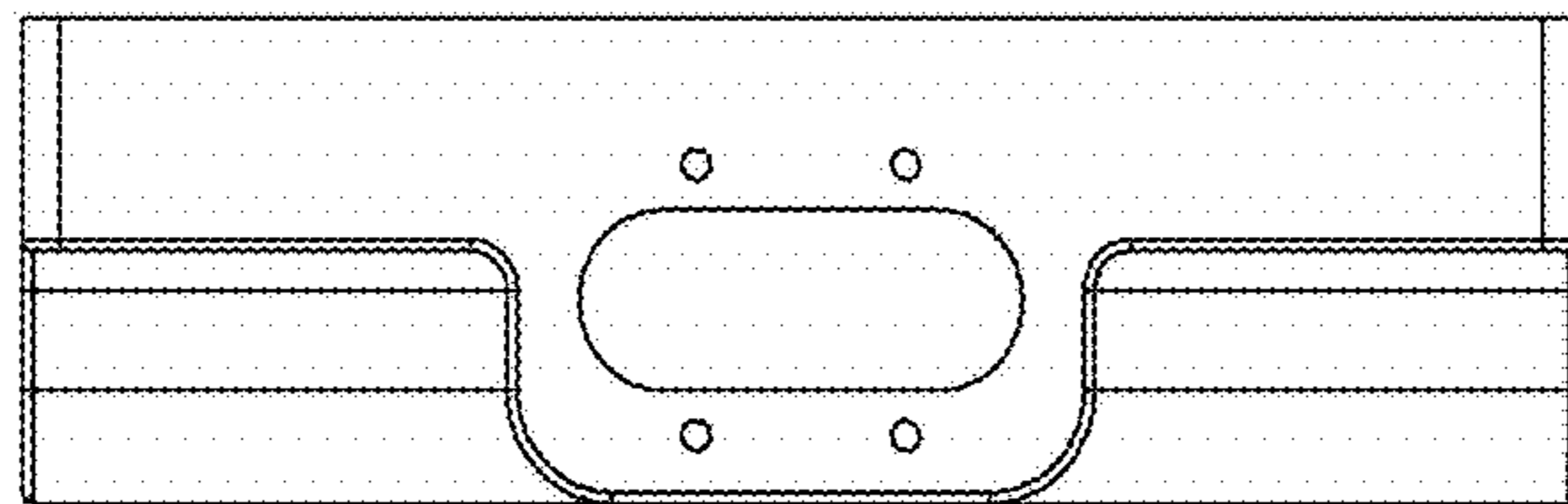


FIG. 5

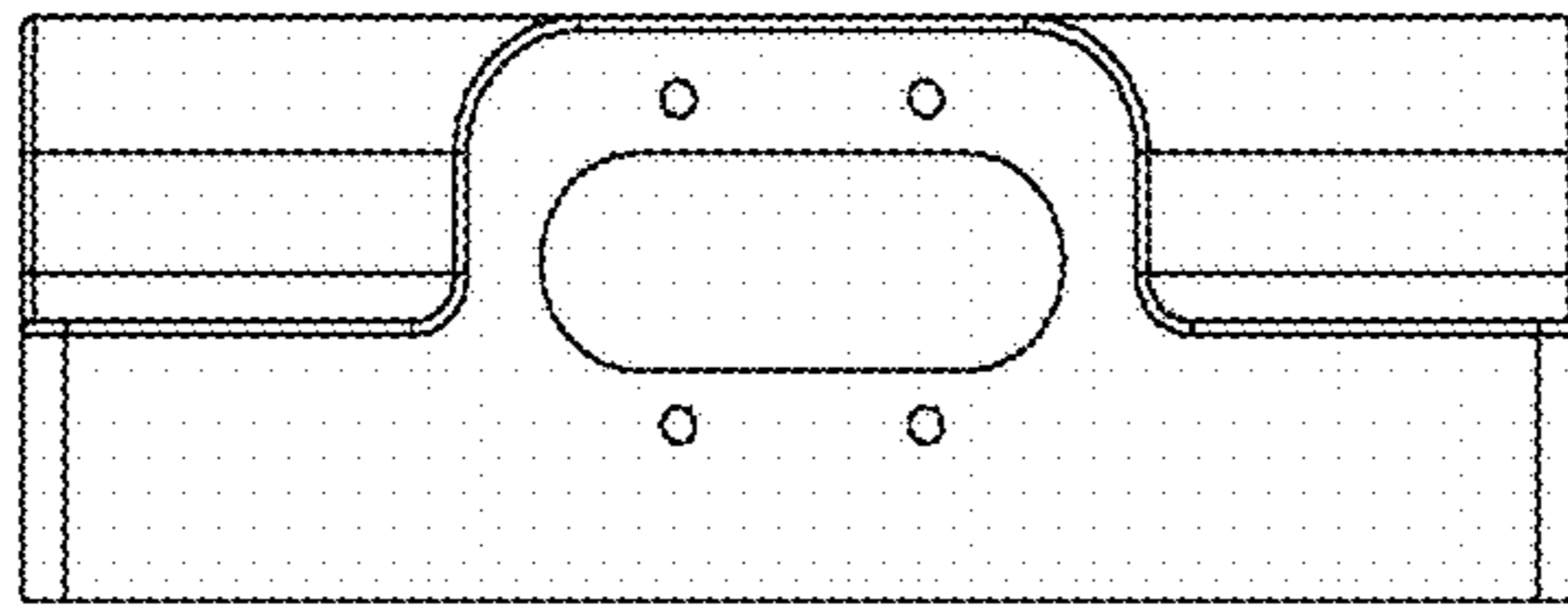


FIG. 6

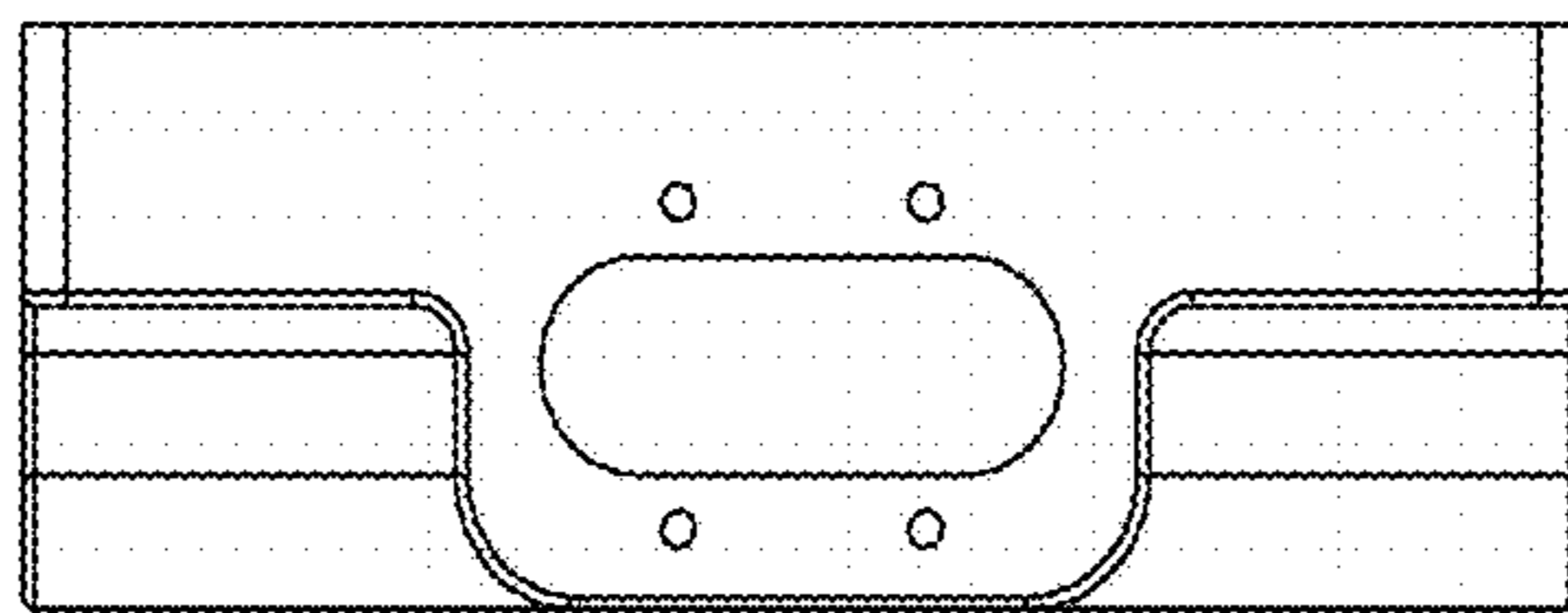


FIG. 7