



US00D789413S

(12) **United States Design Patent**
Omata

(10) **Patent No.:** **US D789,413 S**
(45) **Date of Patent:** **** Jun. 13, 2017**

(54) **DIGITAL CAMERA WITH DISPLAY
SCREENS HAVING GRAPHICAL USER
INTERFACES**

Primary Examiner — Richelle G Shelton
(74) *Attorney, Agent, or Firm* — Sughrue Mion, PLLC

(71) Applicant: **FUJIFILM Corporation**, Tokyo (JP)

(57) **CLAIM**

(72) Inventor: **Takeharu Omata**, Tokyo (JP)

The ornamental design for a digital camera with display screens having graphical user interfaces, as shown and described.

(73) Assignee: **FUJIFILM Corporation**, Tokyo (JP)

(**) Term: **14 Years**

DESCRIPTION

(21) Appl. No.: **29/517,979**

FIG. 1 is a top, rear and left side perspective view of a digital camera with display screens having graphical user interfaces showing my new design;

(22) Filed: **Feb. 19, 2015**

FIG. 2 is a front elevational view thereof;

(30) **Foreign Application Priority Data**

Aug. 19, 2014 (JP) 2014-017969

FIG. 3 is a rear elevational view thereof;

(51) **LOC (10) Cl.** **14-04**

FIG. 4 is a top plan view thereof;

(52) **U.S. Cl.**

USPC **D14/490**

FIG. 5 is a bottom plan view thereof;

(58) **Field of Classification Search**

USPC D14/485-495; D16/200, 219, 220, 228,
D16/238; D18/24, 30

FIG. 6 is a left side elevational view thereof;

CPC G06F 3/04817; G06F 3/04897

FIG. 7 is a right side elevational view thereof;

See application file for complete search history.

FIG. 8 is an annotated, enlarged detail view of the camera body display screen thereof, shown separately for clarity of illustration;

(56) **References Cited**

U.S. PATENT DOCUMENTS

D606,554 S *	12/2009	Kocmick	D14/492
D710,891 S *	8/2014	Hollobaugh	D14/490
D711,913 S *	8/2014	Francisco	D14/489
2003/0016251 A1 *	1/2003	Kondo	H04N 1/6011 715/846

FIG. 9 is an enlarged detail view of the area defined by lines IX-IX of FIG. 8; and,

FIG. 10 is a rear elevational view of a second embodiment of the digital camera with display screens having graphical user interfaces in which the graphical user interface described in FIG. 8 is displayed on the camera body display screen and on the viewfinder display screen.

The broken line showing of the digital camera, display screens and remaining areas of the graphical user interfaces forms no part of the claimed design.

The dash-dot broken lines in FIG. 9 define the bounds of the claimed design and form no part thereof.

* cited by examiner

1 Claim, 10 Drawing Sheets

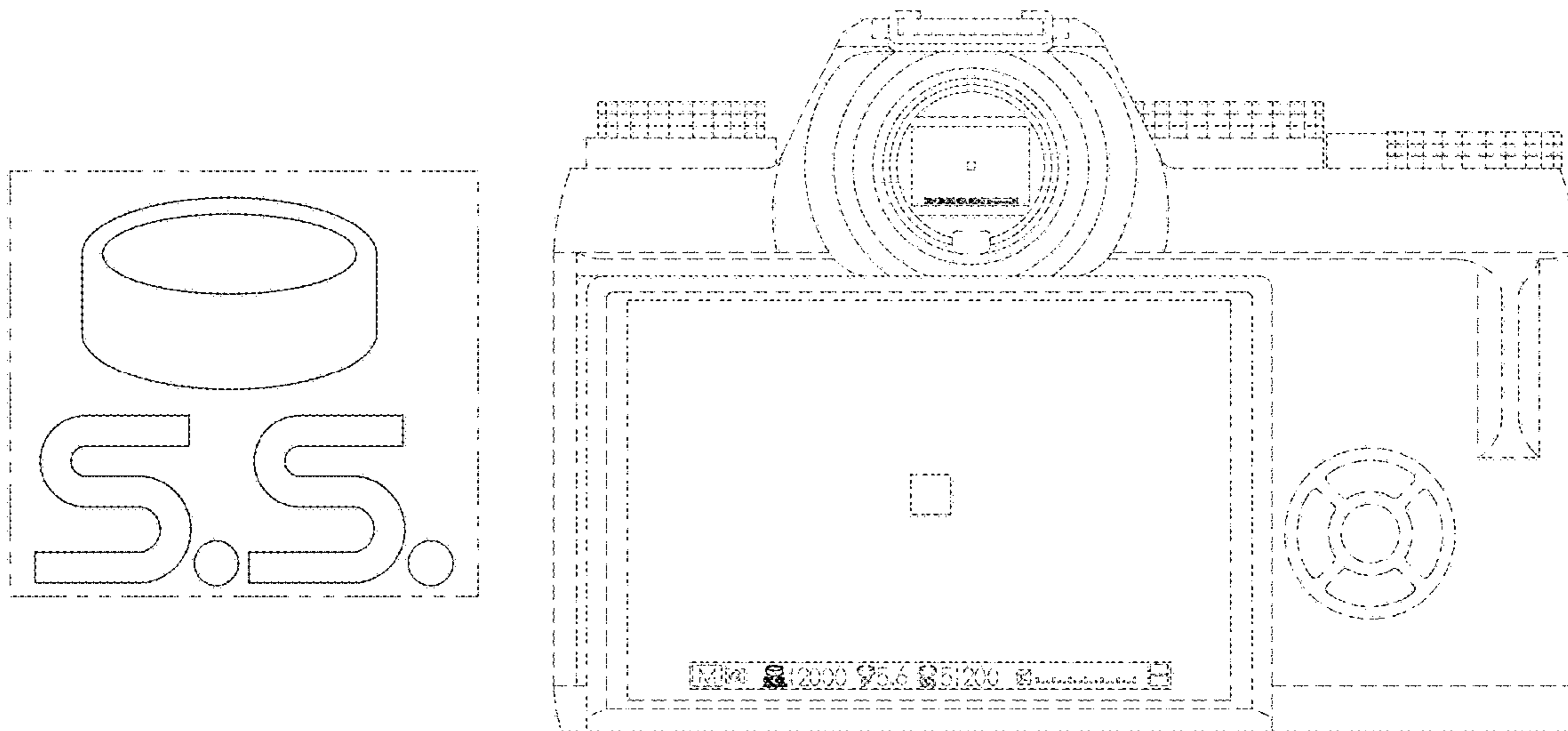


FIG. 1

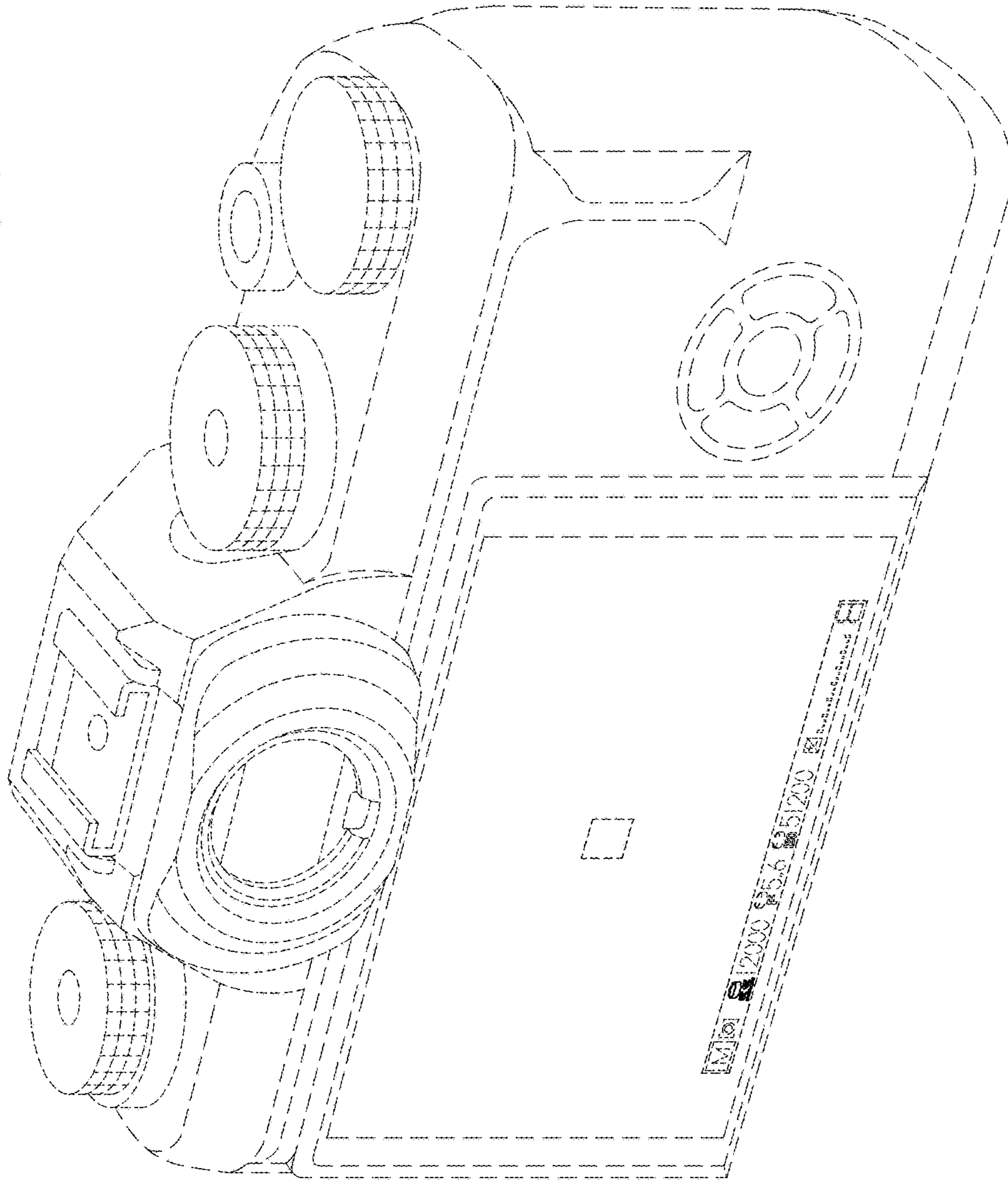


FIG. 2

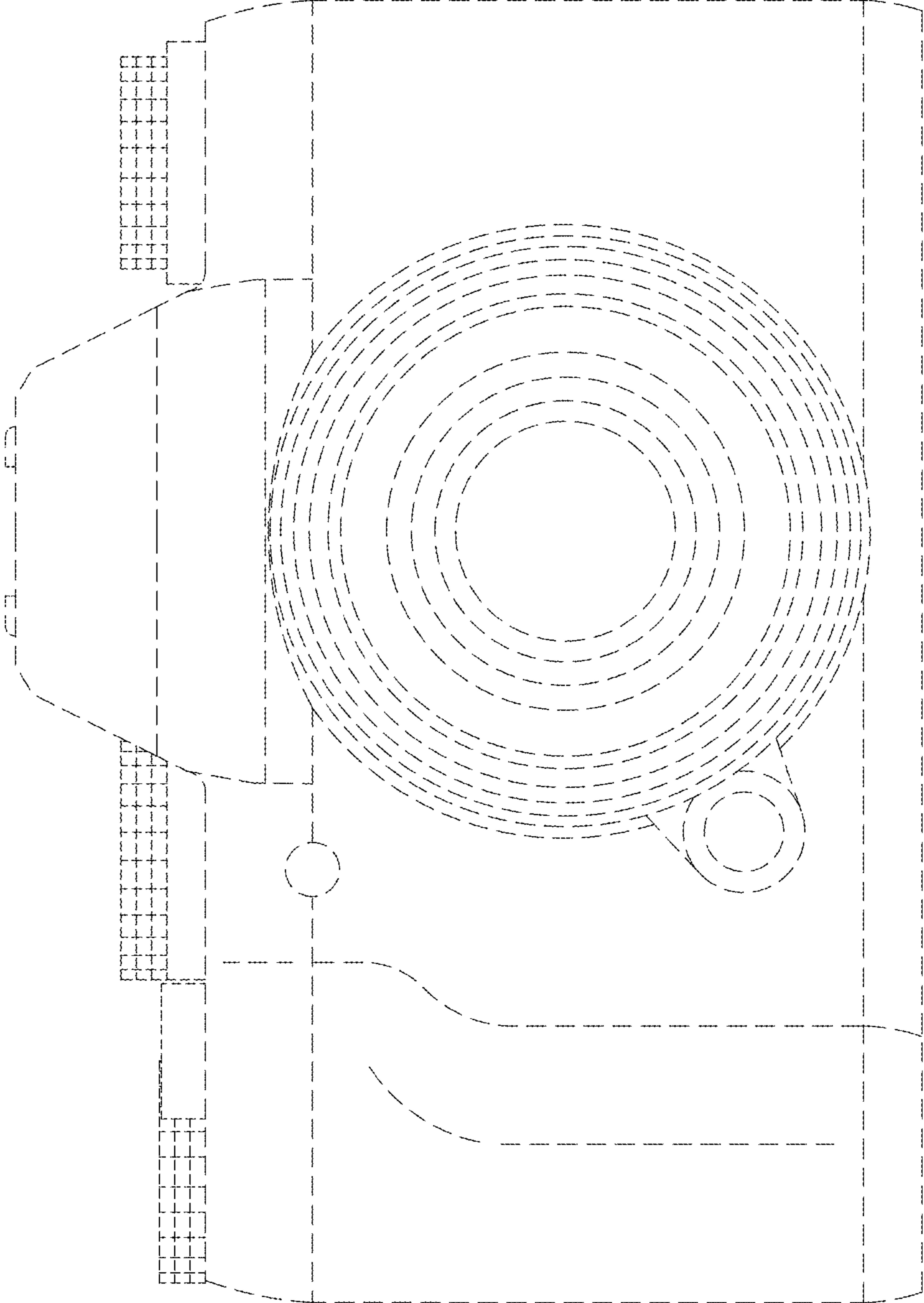


FIG. 3

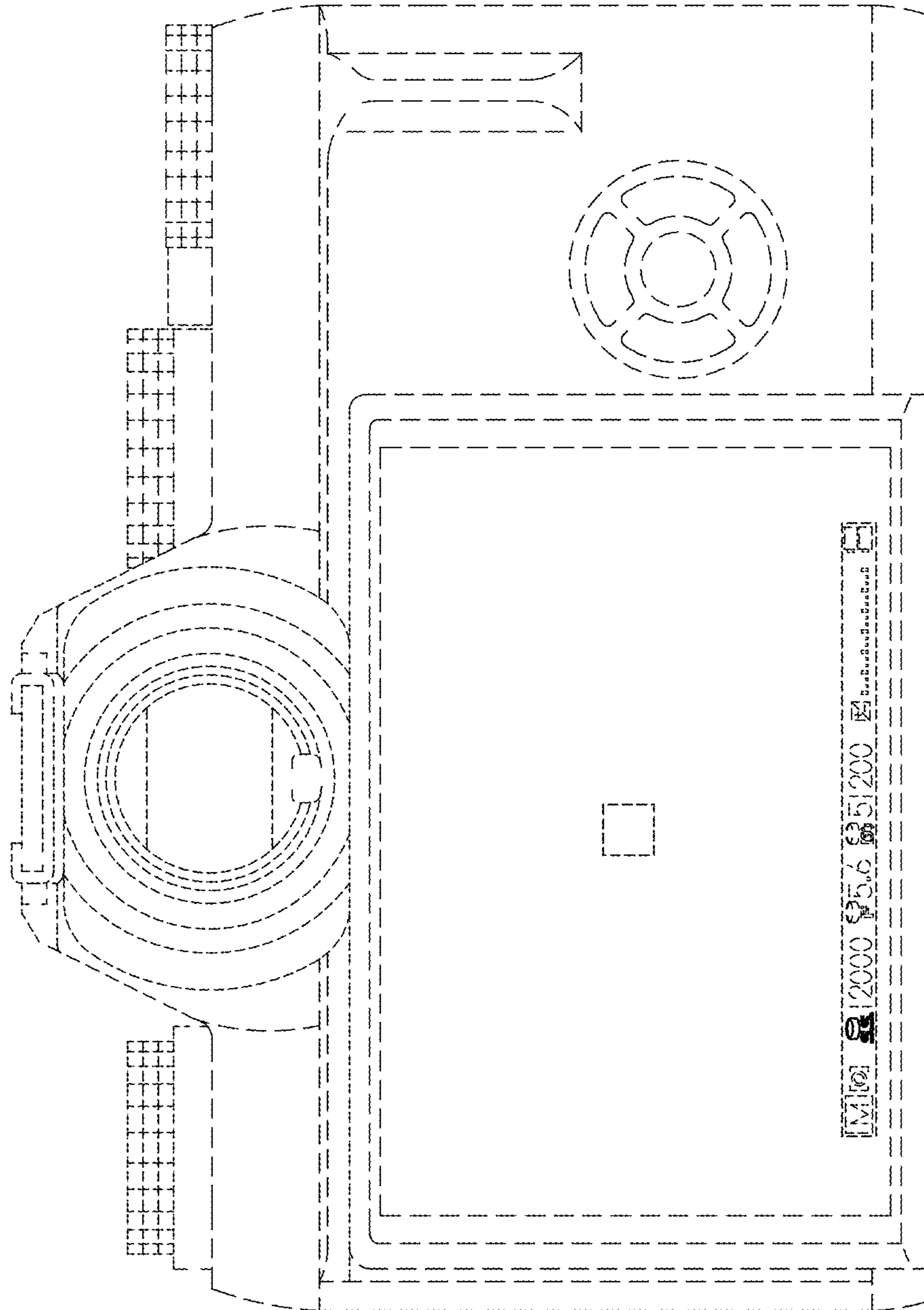


FIG. 4

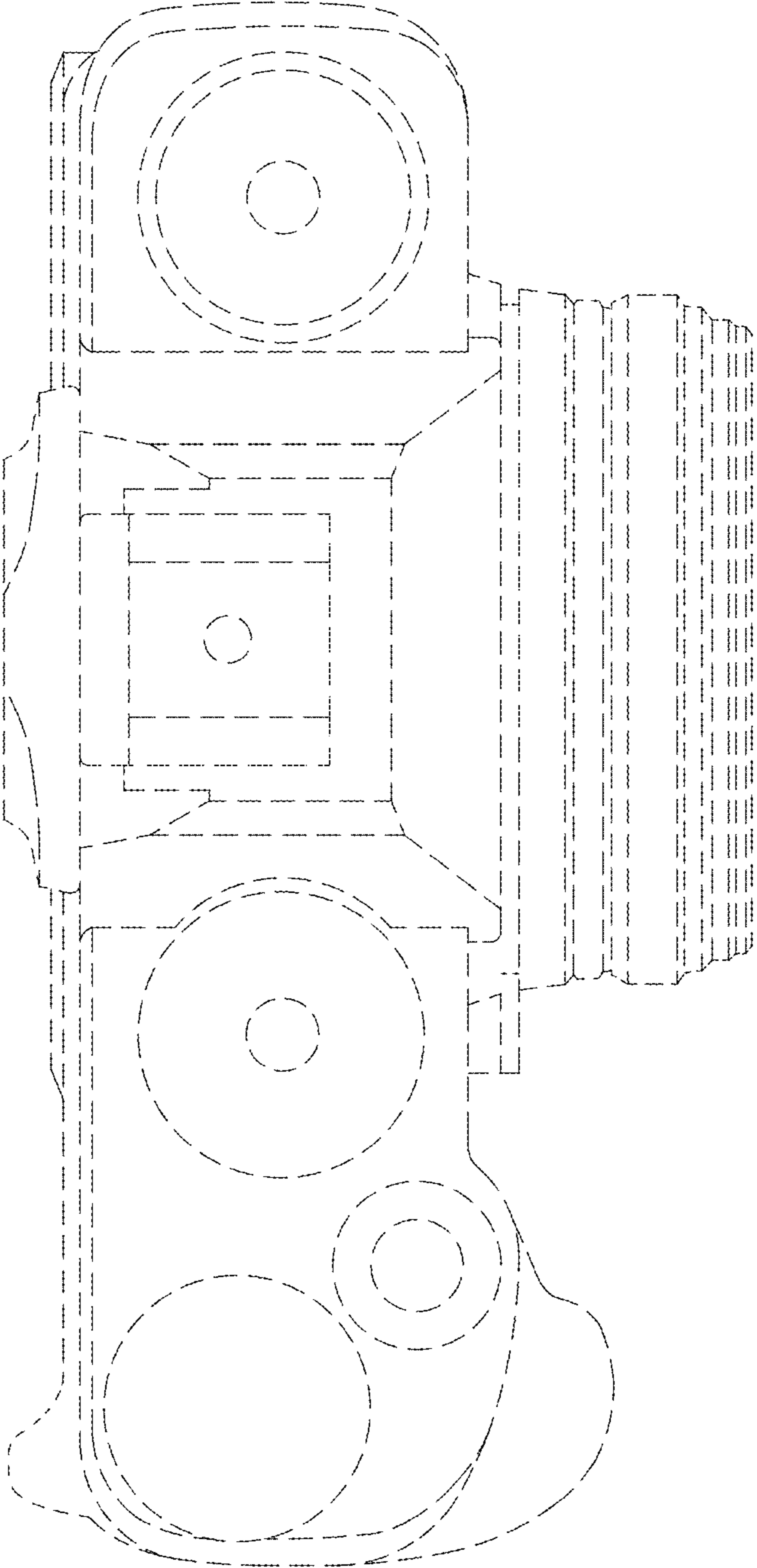


FIG. 5



FIG. 6

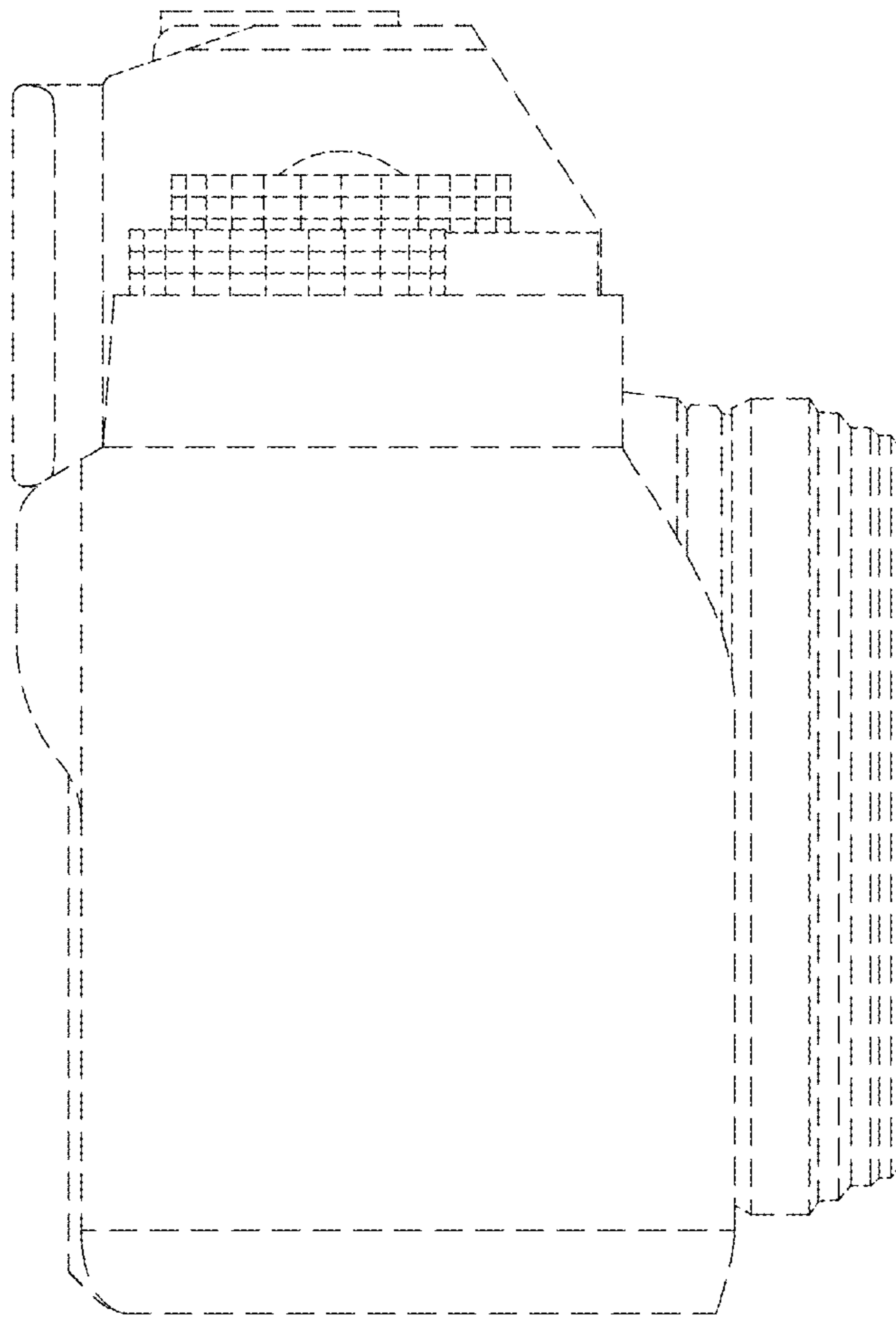


FIG. 7

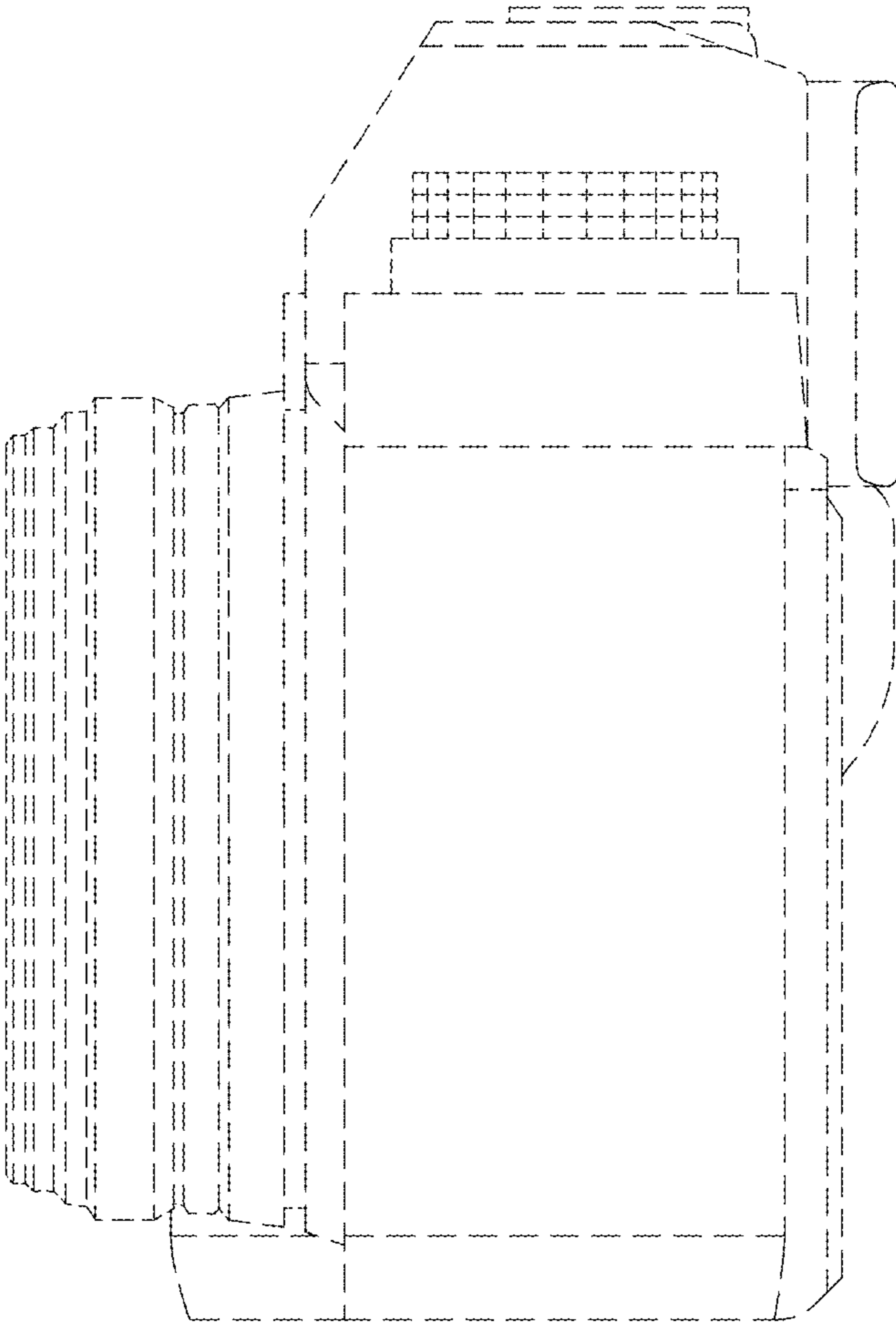


FIG. 8

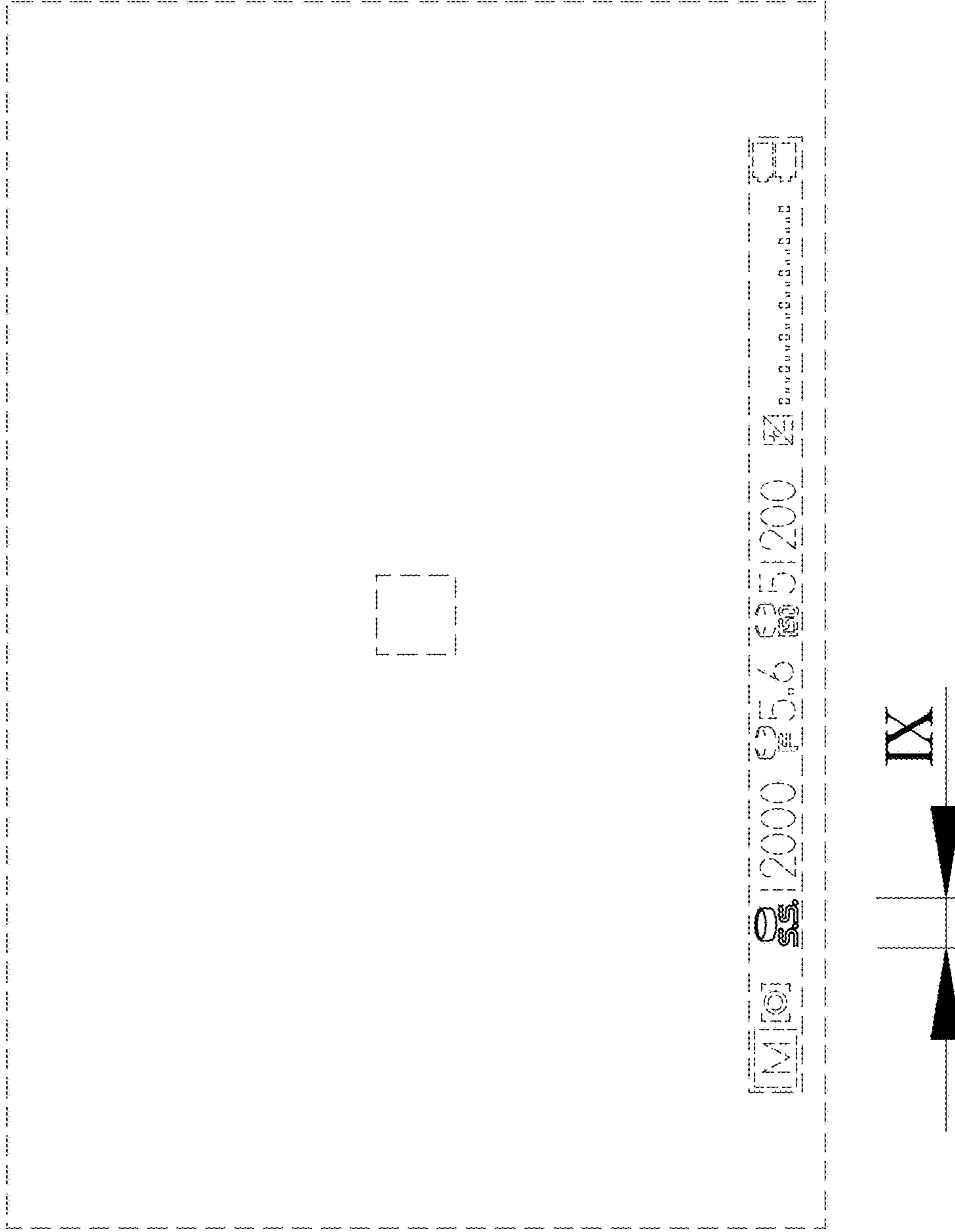


FIG. 9

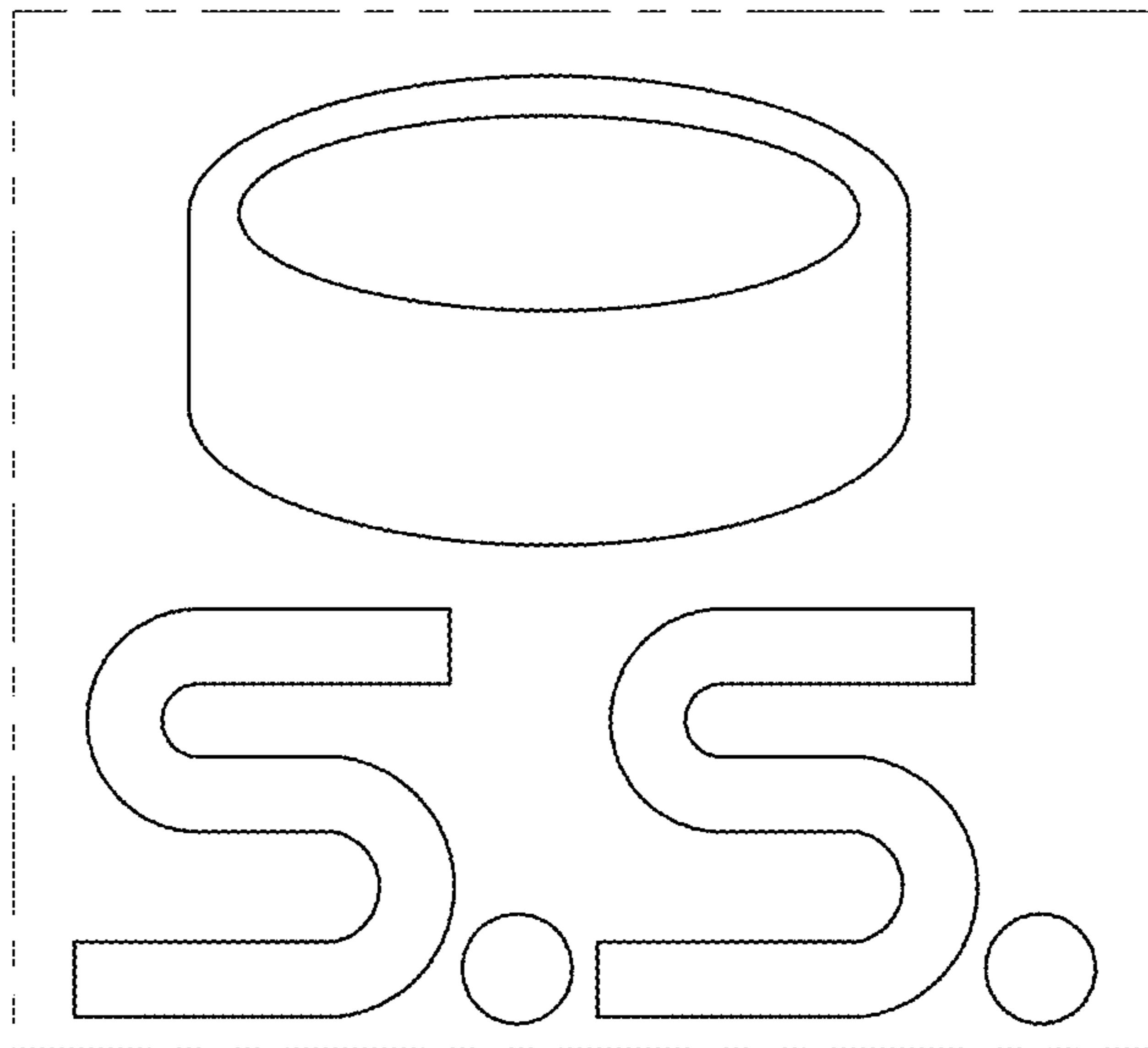


FIG. 10

