



US00D789376S

(12) **United States Design Patent** (10) **Patent No.:** **US D789,376 S**
Shyu et al. (45) **Date of Patent:** **** Jun. 13, 2017**

(54) **KEYBOARD**

(56) **References Cited**

(71) Applicant: **Hewlett-Packard Development Company, L.P.**, Houston, TX (US)
(72) Inventors: **Vincent K. Shyu**, Houston, TX (US); **Rudy Widiaman**, Houston, TX (US); **Eric Chen**, Houston, TX (US)
(73) Assignee: **Hewlett-Packard Development Company, L.P.**, Houston, TX (US)
(**) Term: **15 Years**
(21) Appl. No.: **29/558,085**
(22) Filed: **Mar. 15, 2016**

U.S. PATENT DOCUMENTS

D683,731 S *	6/2013	Chiu	D14/345
D696,254 S *	12/2013	Groene	D14/341
D755,782 S *	5/2016	Shyu	D14/315
2005/0052831 A1 *	3/2005	Chen	G06F 1/1616 361/679.11
2006/0007645 A1 *	1/2006	Chen	G06F 1/1626 361/679.04
2006/0146488 A1 *	7/2006	Kimmel	G06F 1/1616 361/679.04
2012/0088557 A1 *	4/2012	Liang	G06F 1/1628 455/575.1
2012/0140396 A1 *	6/2012	Zeliff	G06F 1/1628 361/679.09
2012/0205277 A1 *	8/2012	Chang	A45C 11/00 206/472
2013/0015088 A1 *	1/2013	Wu	A45C 11/00 206/320

Related U.S. Application Data

(62) Division of application No. 29/504,829, filed on Oct. 9, 2014, now Pat. No. Des. 755,782.
(51) **LOC (10) Cl.** **14-02**
(52) **U.S. Cl.**
USPC **D14/455**; D14/315
(58) **Field of Classification Search**
USPC D14/315-327; D18/1, 2, 7, 11;
235/145 A, 145 R; 341/22, 23; 345/104,
345/156, 168, 169, 173; 361/679.08,
361/679.09, 679.11, 679.26, 679.27
CPC G06F 1/16; G06F 1/1616; G06F 1/1626;
G06F 1/1632; G06F 1/1613; G06F
1/1601; G06F 1/1618; G06F 1/162; G06F
1/166; G06F 1/1654; G06F 1/1681; G06F
1/1637; G06F 1/1688; G06F 1/1656;
H01R 35/02; H03M 11/00; G09B 13/04;
H03K 17/94; G09G 5/00; F16M 11/10;
H05K 5/00; H04M 1/0237
See application file for complete search history.

* cited by examiner

Primary Examiner — Freda S Nunn
(74) *Attorney, Agent, or Firm* — Foley & Lardner

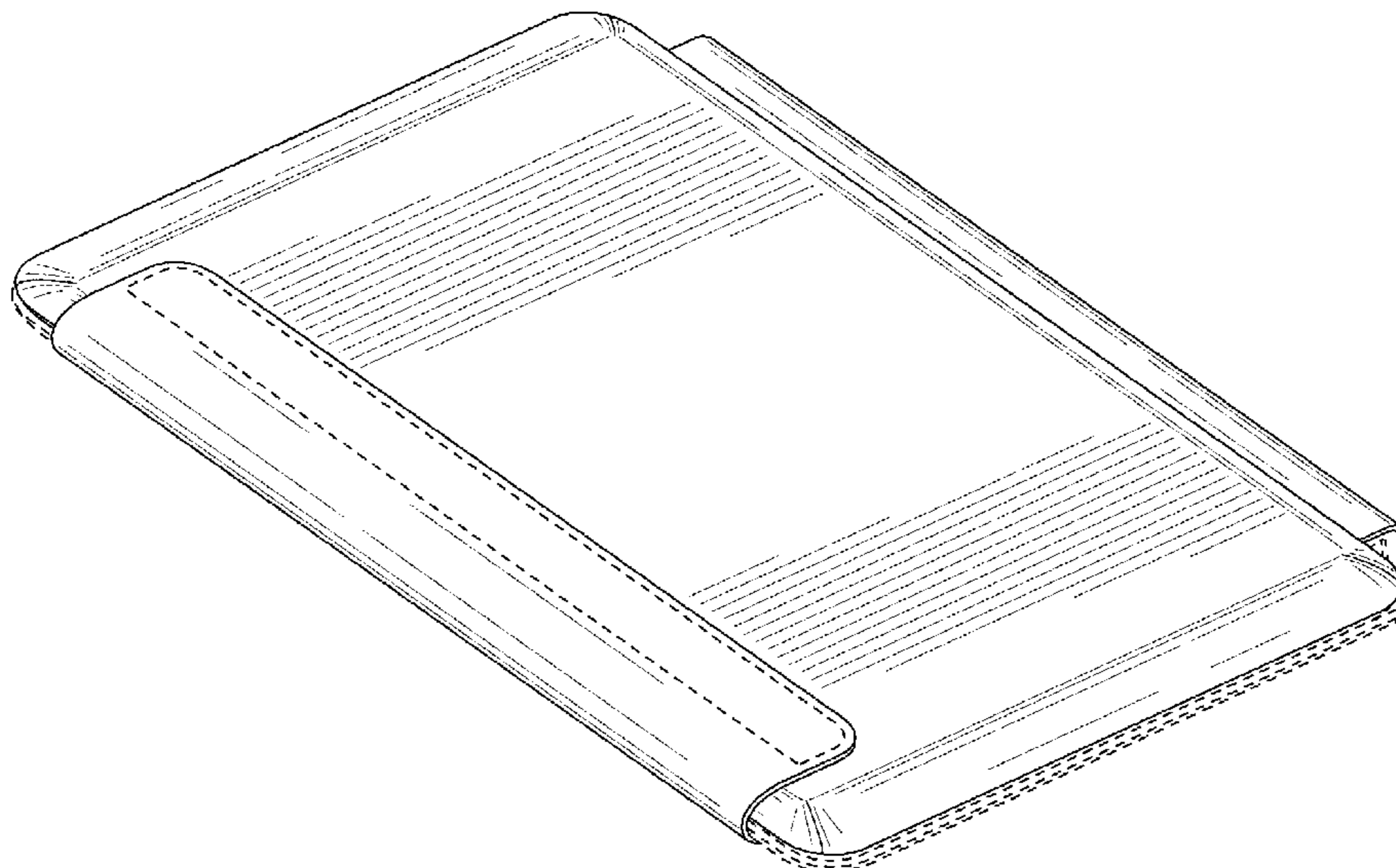
(57) **CLAIM**

We claim the ornamental design for a keyboard, as shown and described.

DESCRIPTION

FIG. 1 is a bottom, front, left perspective view of a keyboard;
FIG. 2 is a front elevation view thereof;
FIG. 3 is a rear elevation view thereof;
FIG. 4 is a left elevation view thereof;
FIG. 5 is a right elevation view thereof;
FIG. 6 is a top plan view thereof; and,
FIG. 7 is a bottom plan view thereof.
The broken lines shown in the drawings represent unclaimed portions of the keyboard and form no part of the claimed design.

1 Claim, 4 Drawing Sheets



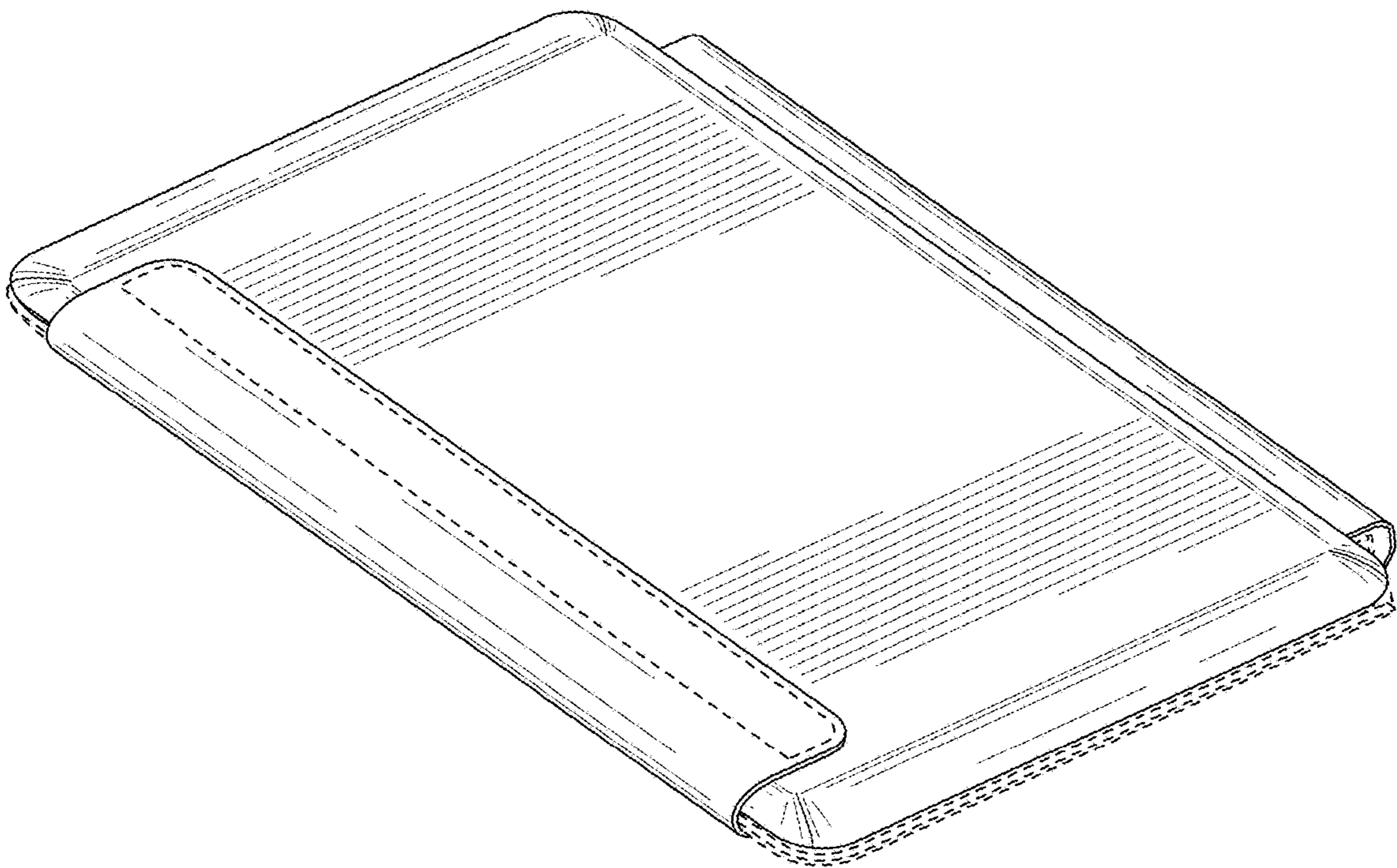


FIG. 1

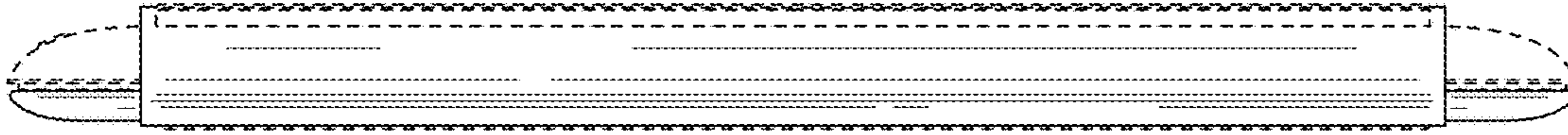


FIG. 2

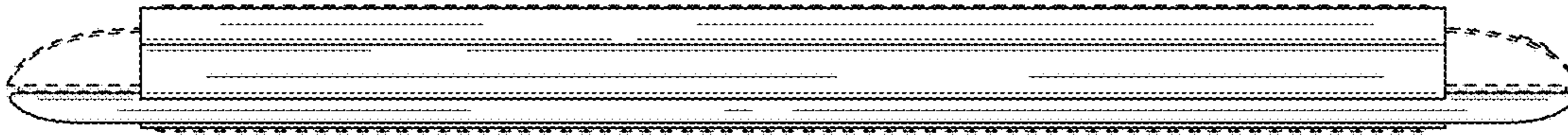


FIG. 3



FIG. 4



FIG. 5

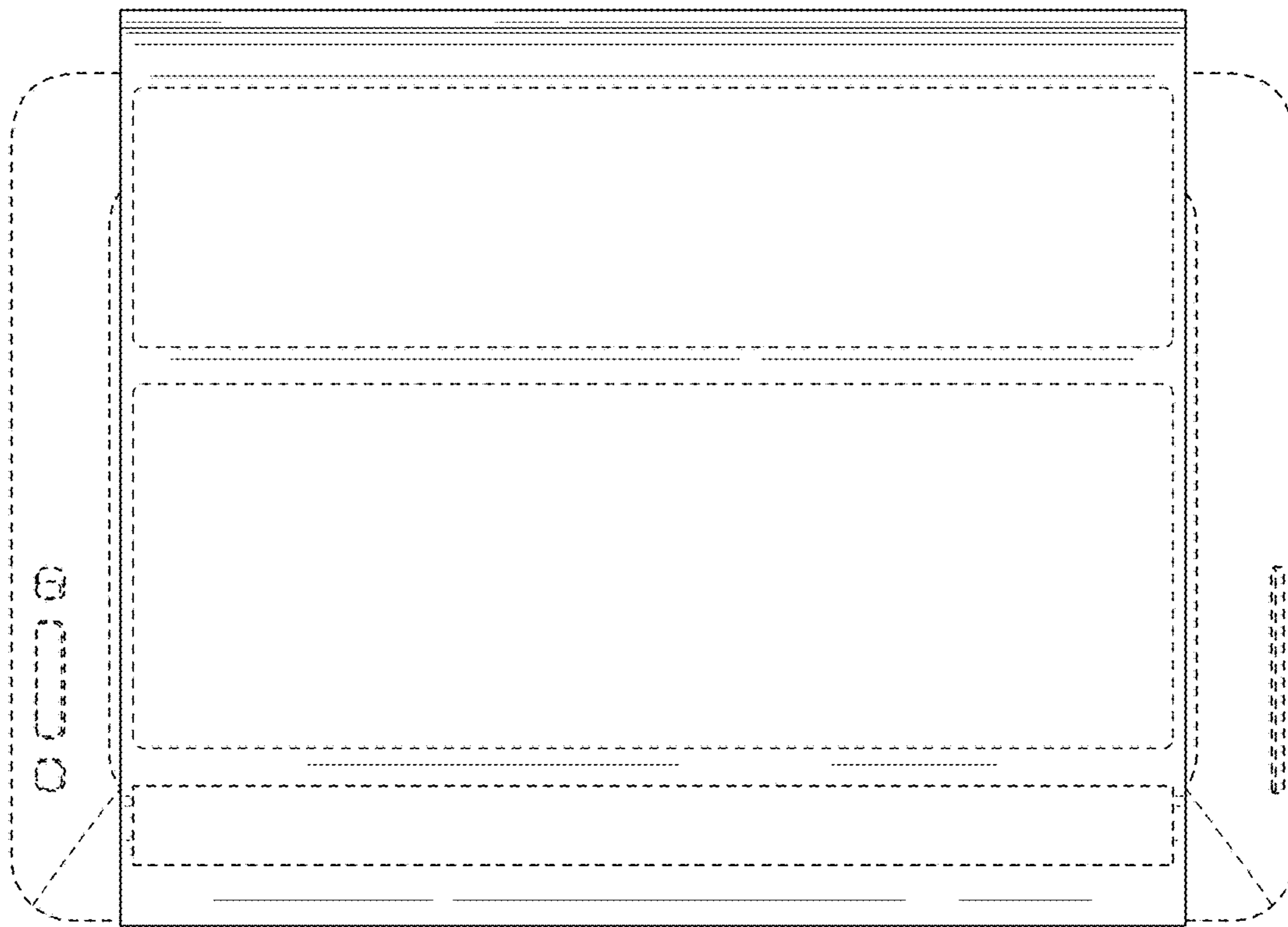


FIG. 6

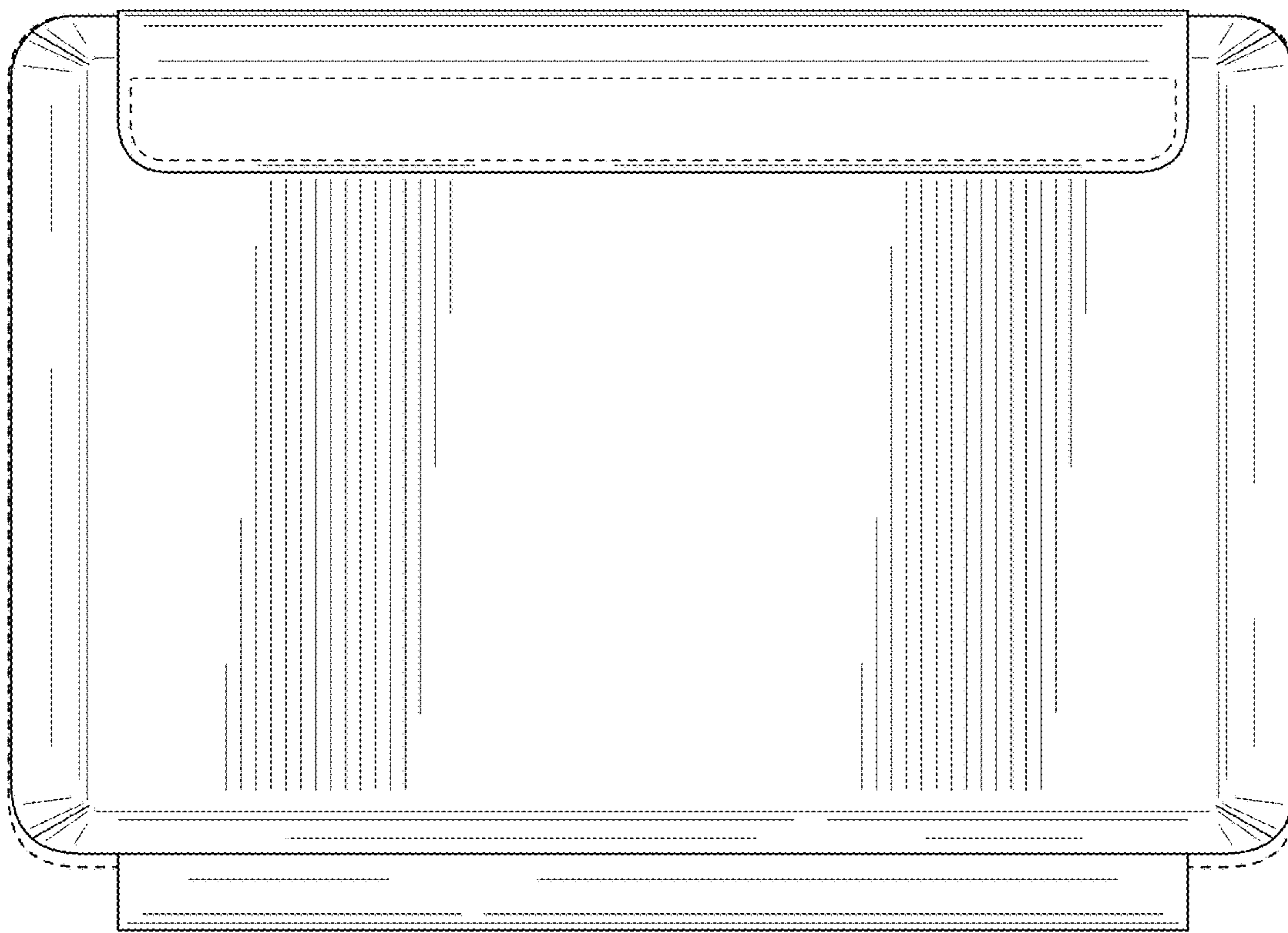


FIG. 7