



US00D789375S

(12) **United States Design Patent** (10) **Patent No.:** **US D789,375 S**  
**Dalton** (45) **Date of Patent:** **\*\* Jun. 13, 2017**

(54) **SMARTPHONE OR TABLET COMPUTER MOUNTING DEVICE**

**DESCRIPTION**

(71) Applicant: **Michael T. Dalton**, Blairsville, GA (US)  
(72) Inventor: **Michael T. Dalton**, Blairsville, GA (US)  
(\*\*) Term: **15 Years**  
(21) Appl. No.: **29/528,545**  
(22) Filed: **May 29, 2015**  
(51) **LOC (10) Cl.** ..... **08-07**  
(52) **U.S. Cl.**  
USPC ..... **D14/447**  
(58) **Field of Classification Search**  
USPC ..... D14/447, 432, 434, 439, 440, 451, 452, D14/457, 250, 251, 253; D3/218; D6/406.3, 406.4, 406.5, 406.6  
CPC ..... A45C 2011/003; A45C 2011/002; A45C 13/002; A47B 2023/049; A47B 2097/005; A47B 2097/006; A47B 21/04; A47B 23/00; A47B 23/043; A47B 2021/0307; A47B

(Continued)

(56) **References Cited**

**U.S. PATENT DOCUMENTS**

D491,952 S \* 6/2004 Oddsen ..... D14/447  
D567,810 S \* 4/2008 Yeh ..... D14/253

(Continued)

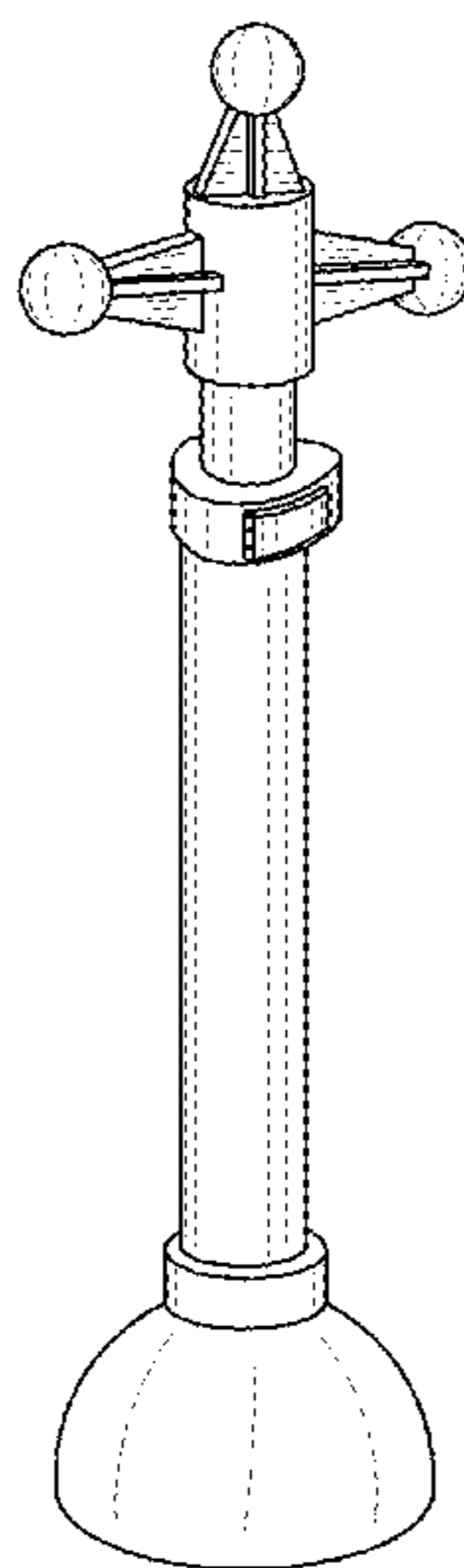
*Primary Examiner* — Angela J Lee  
(74) *Attorney, Agent, or Firm* — Clifford H. Kraft

(57) **CLAIM**

The ornamental design for a smartphone or tablet computer mounting device, as shown and described.

FIG. 1 is a perspective view showing my new design for a smartphone or tablet computer mounting device.  
FIG. 2 is a front view thereof.  
FIG. 3 is a top view thereof.  
FIG. 4 is a left side view thereof.  
FIG. 5 is a bottom view thereof.  
FIG. 6 is a right side view thereof.  
FIG. 7 is a back view thereof.  
FIG. 8 is a front view showing use of my new design for a smartphone or tablet computer mounting device with a non-claimed clamp attachment, the clamp attachment being attached to a side ball.  
FIG. 9 is a front view showing use of my new design for a smartphone or tablet computer mounting device with a non-claimed clamp attachment, the clamp attachment being attached to the top ball.  
FIG. 10 is a front view showing my new design for a smartphone or tablet computer mounting device in a telescoped configuration.  
FIG. 11 is a front view of a shorter embodiment of my invention. All other views of this embodiment are identical to those of FIGS. 1-7 except for the length of the lower column.  
FIG. 12 is a front view of a still shorter embodiment of my invention. All other views of this embodiment are identical to those of FIGS. 1-7 except for the length of the lower column.  
FIG. 13 is a front view of the upper column and ball attaches of the first embodiment; and,  
FIG. 14 is a sectional view of the section 14-14 of FIG. 13. The broken lines showing the clamp attachment and its association with the attachment device in FIGS. 8-9 form no part of the claimed design, but are included for the purpose of illustrating the nature and intended use thereof. The broken lines on the bottom screw in FIG. 5 indicate a boundary of the unclaimed region. The broken lines in the sectional view of FIG. 14 indicate a boundary of the unclaimed region of the hole in the ball attaches, and of the tube wall of the inner telescoping tube.

**1 Claim, 10 Drawing Sheets**



(58) **Field of Classification Search**

CPC ..... 2023/005; F16M 2200/00; H04B 1/3888;  
H04M 1/185; H04M 1/04

See application file for complete search history.

(56) **References Cited**

U.S. PATENT DOCUMENTS

D613,291	S	*	4/2010	Carver	.....	D14/218
D657,783	S	*	4/2012	Mo	.....	D14/251
D669,481	S	*	10/2012	Prescott	.....	D14/447
D696,673	S	*	12/2013	Vogel	.....	D14/447
D696,674	S	*	12/2013	Vogel	.....	D14/447
D714,775	S	*	10/2014	Yoo	.....	D14/253
D724,072	S	*	3/2015	Jiang	.....	D14/253
D731,497	S	*	6/2015	Xiang	.....	D14/447
D733,116	S	*	6/2015	Aspinall	.....	D14/253
D733,156	S	*	6/2015	Choi	.....	D14/447
D742,386	S	*	11/2015	Rost	.....	D14/447

\* cited by examiner

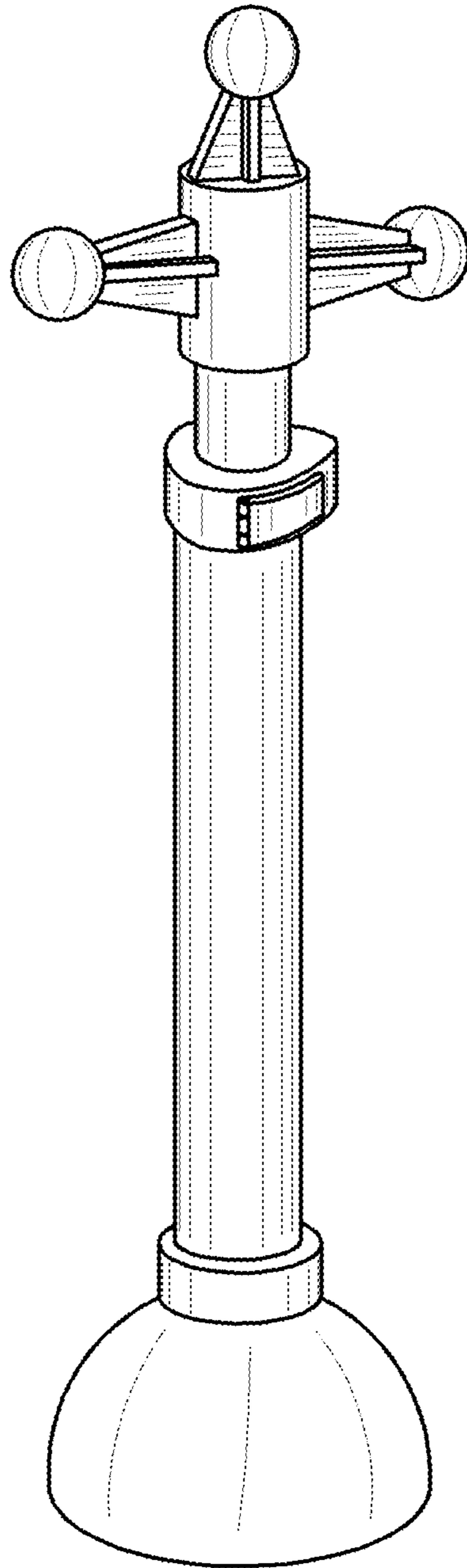


Fig. 1

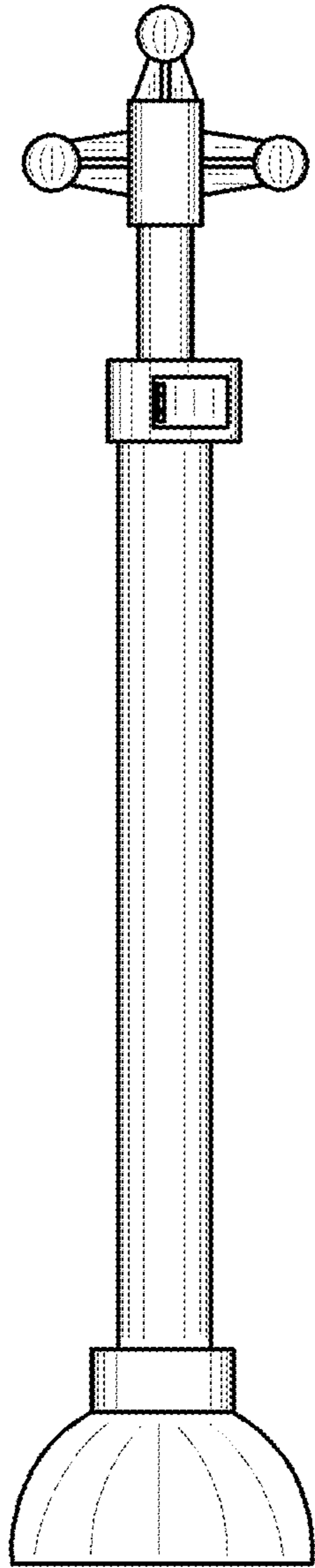


Fig. 2

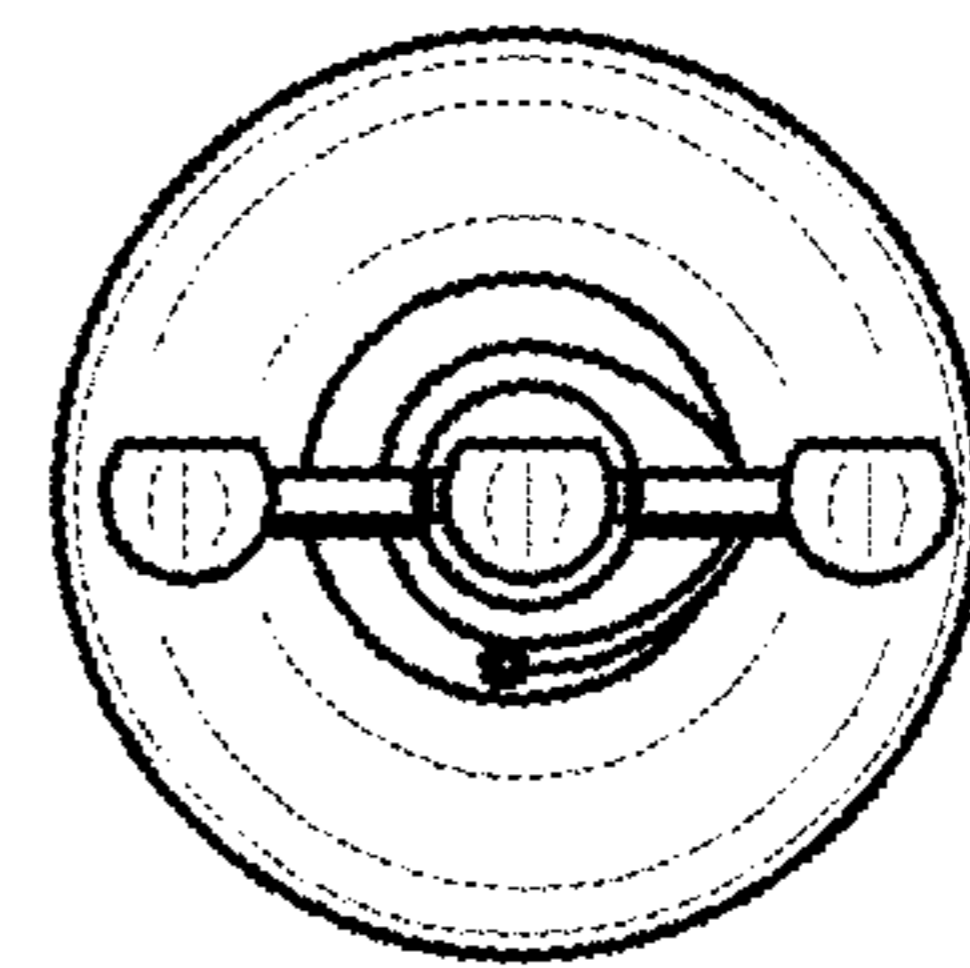


Fig. 3

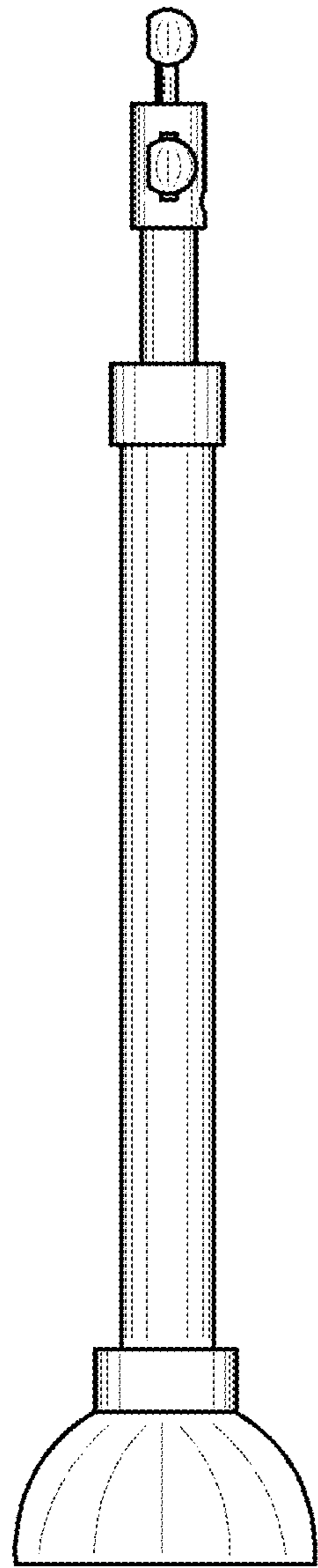


Fig. 4

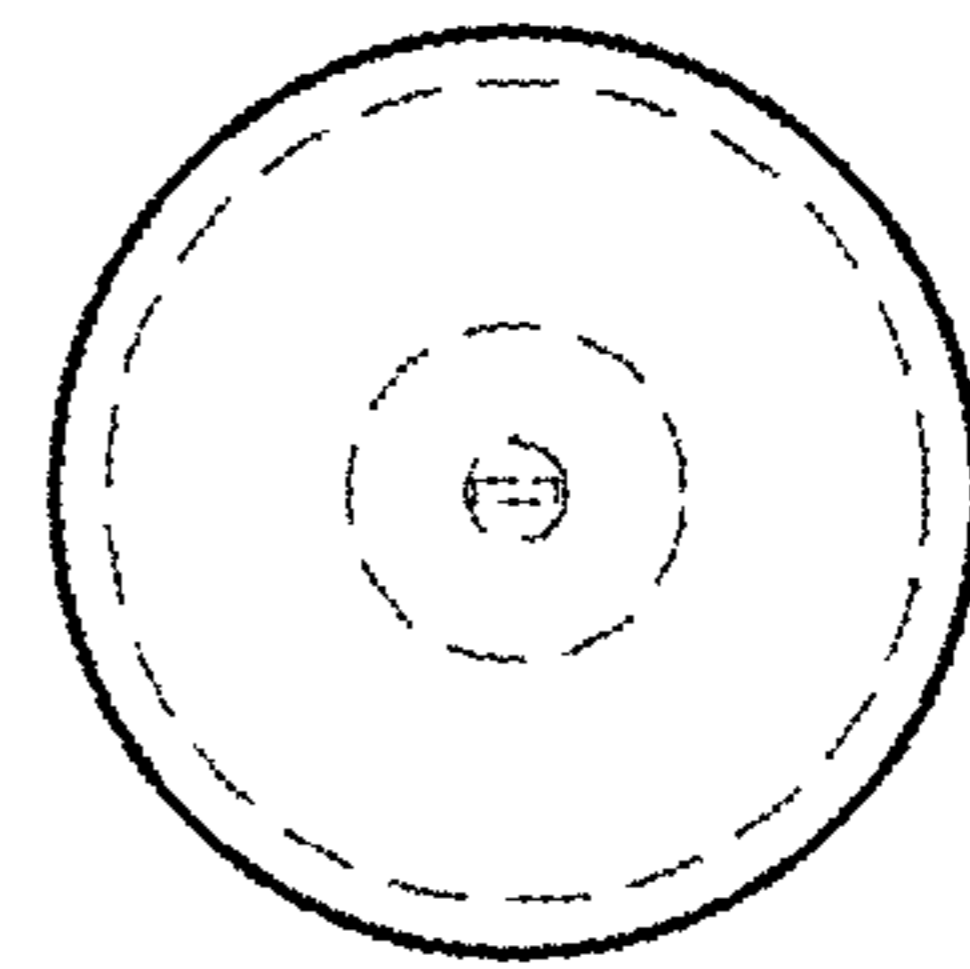


Fig. 5

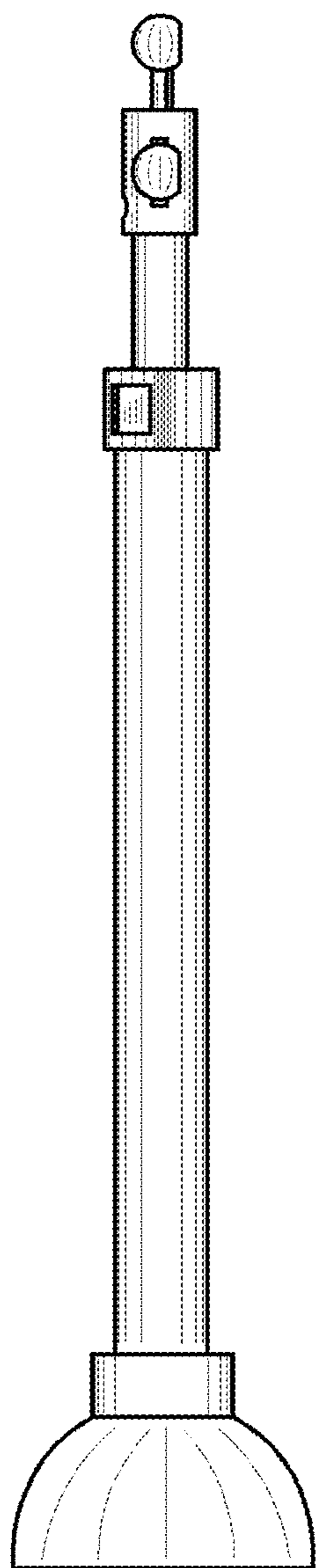


Fig. 6

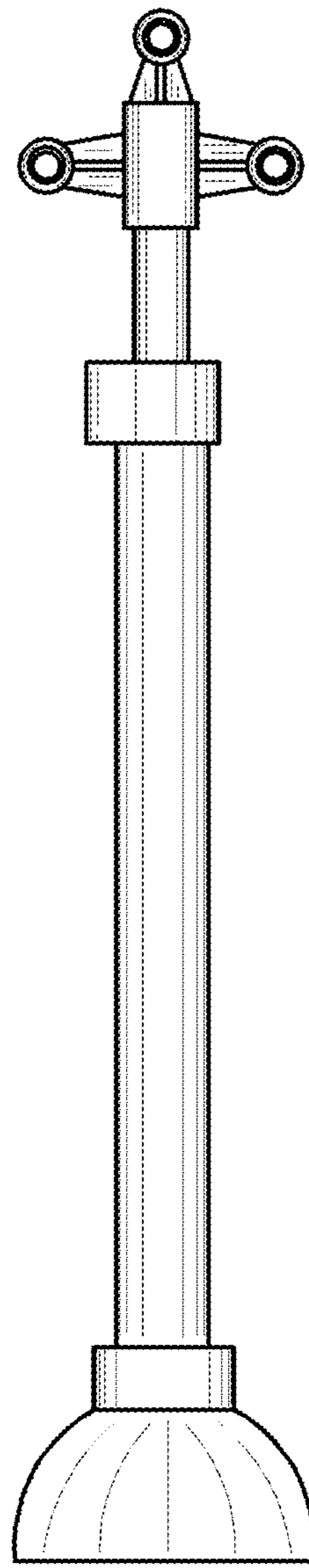


Fig. 7

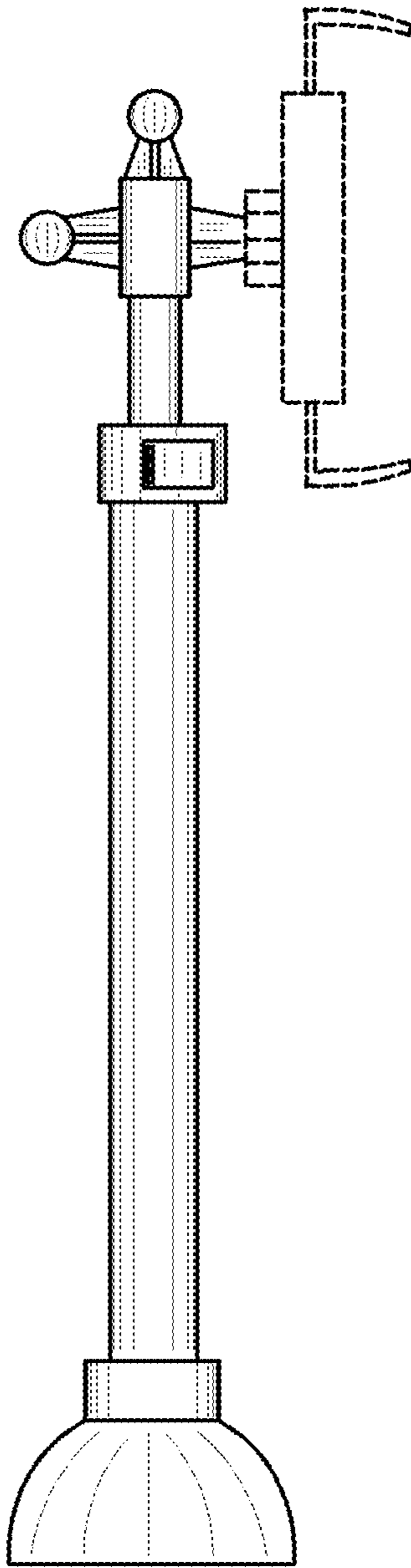


Fig. 8

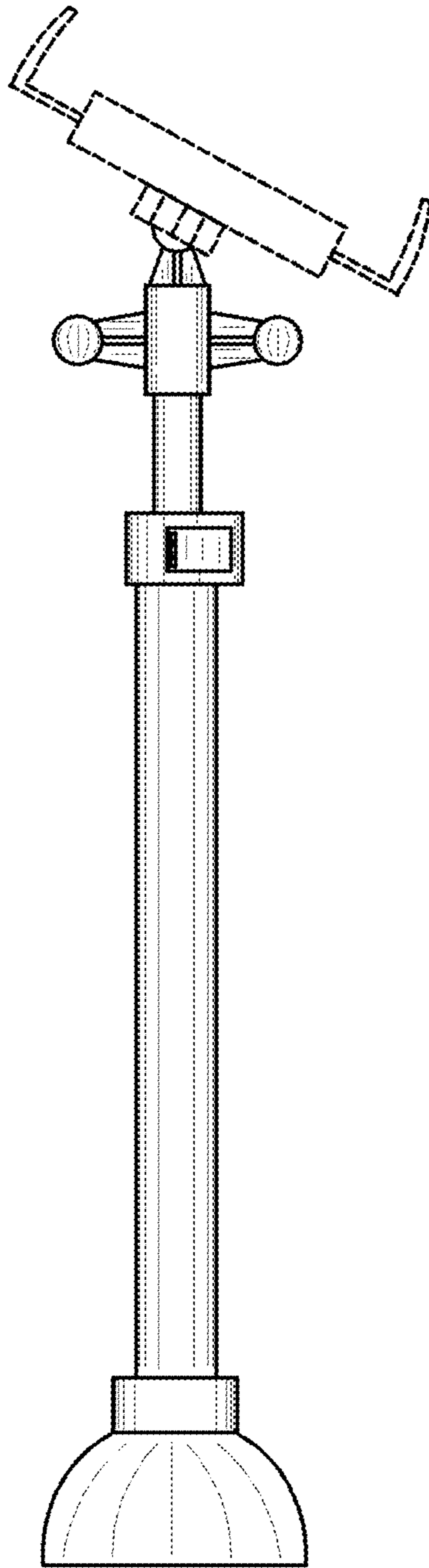


Fig. 9



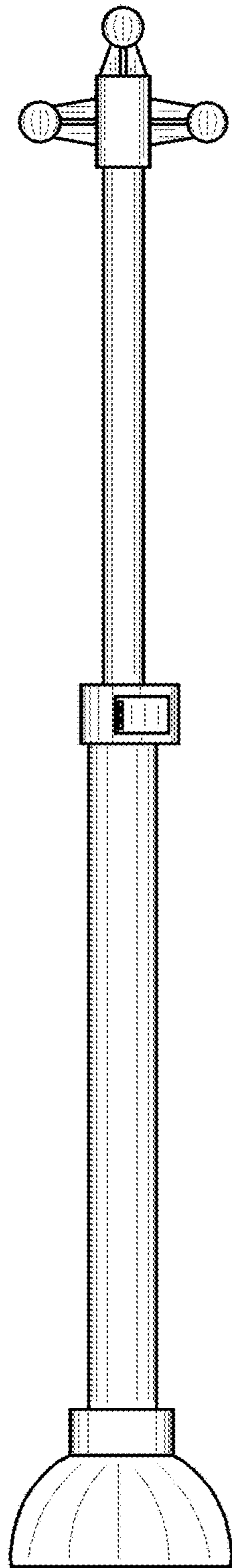


Fig. 10

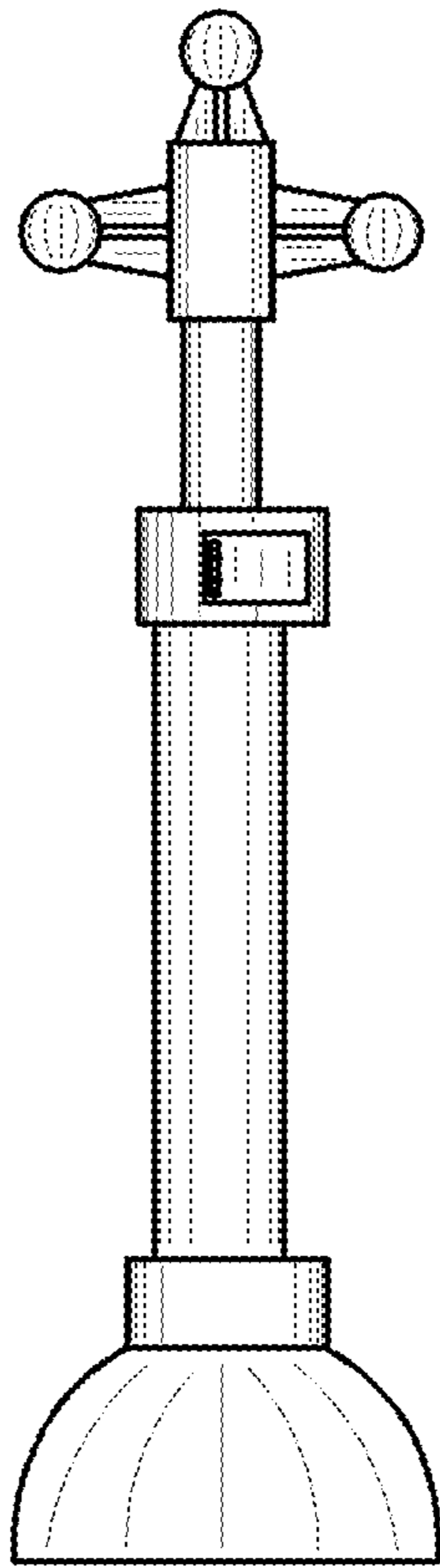


Fig. 11

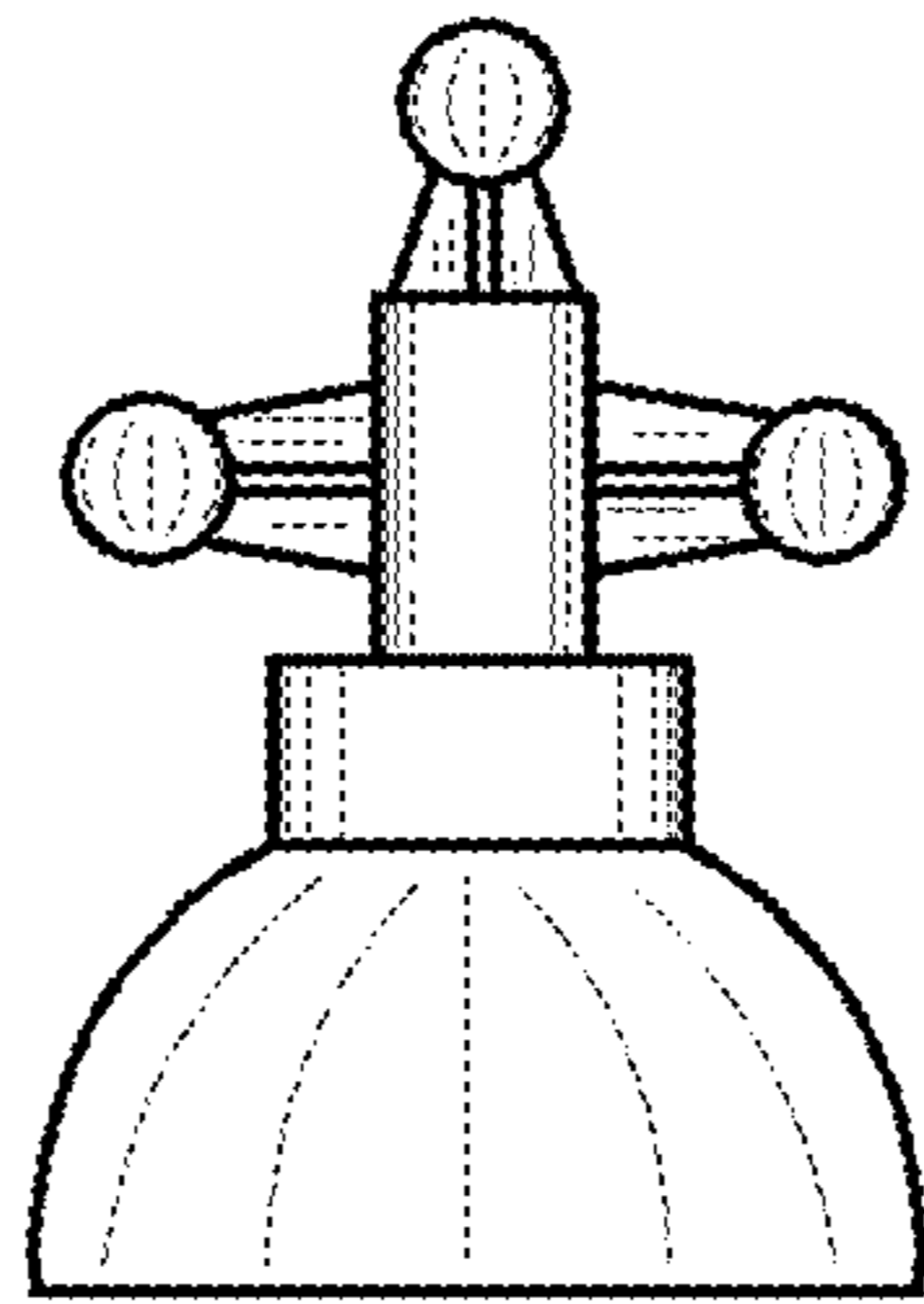


Fig. 12

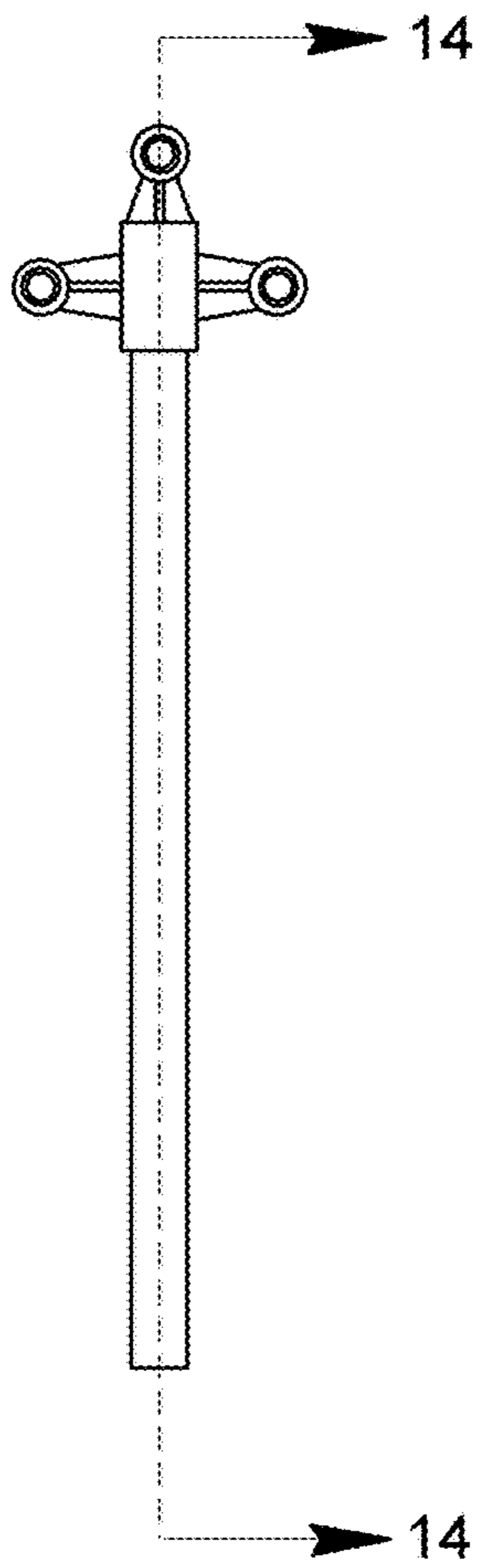


Fig. 13

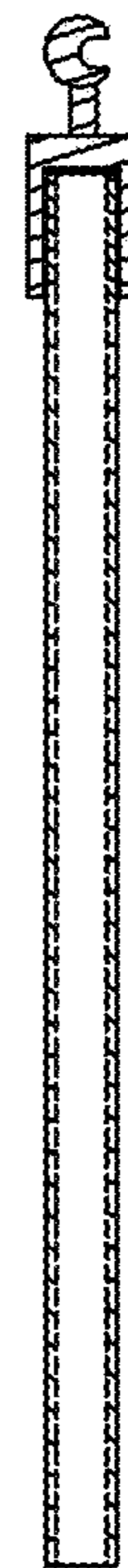


Fig. 14