



US00D789374S

(12) **United States Design Patent**
King

(10) **Patent No.:** **US D789,374 S**

(45) **Date of Patent:** **** Jun. 13, 2017**

(54) **STYLUS STAND AND CHARGING STATION**

(71) Applicant: **Steven G. King**, Richmond, CA (US)

(72) Inventor: **Steven G. King**, Richmond, CA (US)

(**) Term: **15 Years**

(21) Appl. No.: **29/547,292**

(22) Filed: **Dec. 2, 2015**

(51) **LOC (10) Cl.** **14-02**

(52) **U.S. Cl.**
USPC **D14/434**; D14/413

(58) **Field of Classification Search**
USPC D14/431-434, 314, 204, 420, 421, 447,
D14/217, 358, 138 R, 140, 142, 253, 356,
D14/496, 411, 413; D13/107, 108, 146;
D8/373; 248/346.03, 176.1; 361/679.41,
361/679.31, 679.32, 679.4, 679.43,
361/679.55, 679.58, 679.33; 320/107,
320/109, 112-115; 710/15, 303;
455/557; 439/347, 534; D10/106.1,
D10/106.5

CPC .. H02J 7/0042; H02J 7/00; H02J 7/025; H02J
7/0044; H02J 7/0045; H02J 7/02; H02J
7/0027; H02J 7/0068; H01R 31/065;
H01R 13/6675; H01M 10/44; H01M
2/02; H01M 2/022; H01M 2/0202; F16M
11/10; Y02E 60/12; Y02E 60/122; Y02E
60/124; Y02T 90/14; Y02T 90/122; Y02T
90/128; Y02T 90/163; H04M 1/04; G06F
1/1654; G06F 1/1632; F21L 4/08; F21L
4/085

See application file for complete search history.

(56) **References Cited**

U.S. PATENT DOCUMENTS

D552,607 S * 10/2007 Cleland D14/358
D558,207 S * 12/2007 Ikeda D14/434
D601,564 S * 10/2009 Maeno D14/400

D647,227 S * 10/2011 Kaule D26/24
D656,130 S * 3/2012 Bailey D14/227
D697,027 S * 1/2014 Ho D13/108
D706,152 S * 6/2014 Ni D10/106.6
D717,674 S * 11/2014 Vu D10/65
D725,088 S * 3/2015 Kwak D14/240
2002/0149566 A1 * 10/2002 Sarkissian G06F 3/0202
345/168

(Continued)

Primary Examiner — Freda S Nunn

(74) *Attorney, Agent, or Firm* — PatentBest; Andrew
McAleavey

(57) **CLAIM**

The ornamental design for a stylus stand and charging
station, as shown and described.

DESCRIPTION

This application is related to a U.S. design patent application
Ser. No. 29/547,285 entitled “Stylus Stand”. That applica-
tion is incorporated by reference in its entirety.

FIG. 1 is a perspective view of a stylus stand and charging
station embodying my new design;

FIG. 2 is a top plan view of the stylus stand and charging
station of FIG. 1;

FIG. 3 is a bottom plan view of the stylus stand and charging
station of FIG. 1;

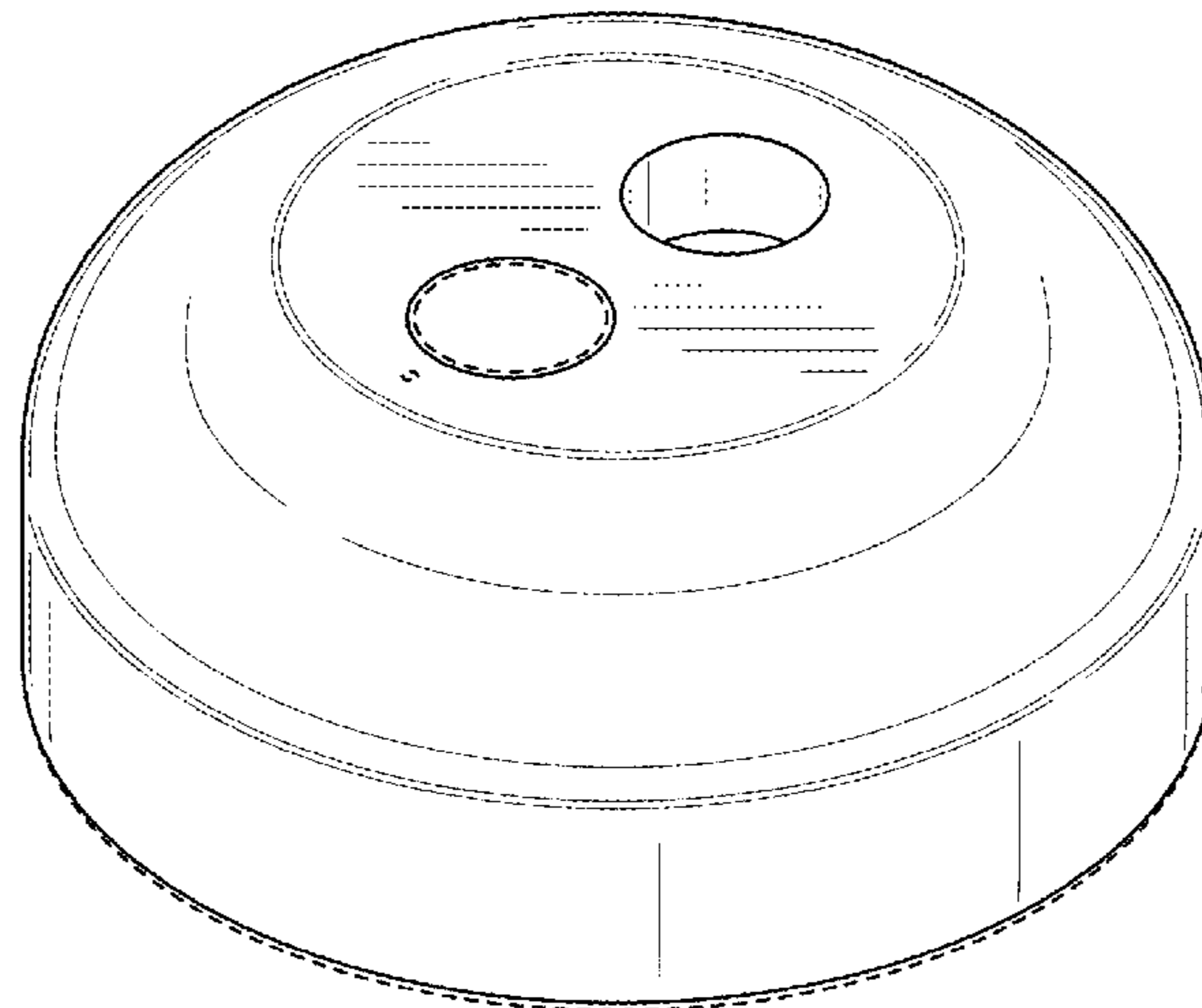
FIG. 4 is a side elevational view of one side of the stylus
stand and charging station of FIG. 1;

FIG. 5 is a side elevational view of the other side of the
stylus stand and charging station of FIG. 1, the stylus stand
being radially symmetric about its center such that the sides
are mirror images of one another; and,

FIG. 6 is a perspective view of the stylus stand and charging
station of FIG. 1 in use.

The broken lines immediately adjacent the shaded areas
represent the bounds of the claimed design, while all other
broken lines are directed to environment and are for illustrative
purposes only; the broken lines form no part of the
claimed design.

1 Claim, 5 Drawing Sheets



(56)

References Cited

U.S. PATENT DOCUMENTS

2005/0022485 A1* 2/2005 Park A47L 7/04
55/385.1
2013/0292481 A1* 11/2013 Filson G05D 23/1902
236/1 C

* cited by examiner

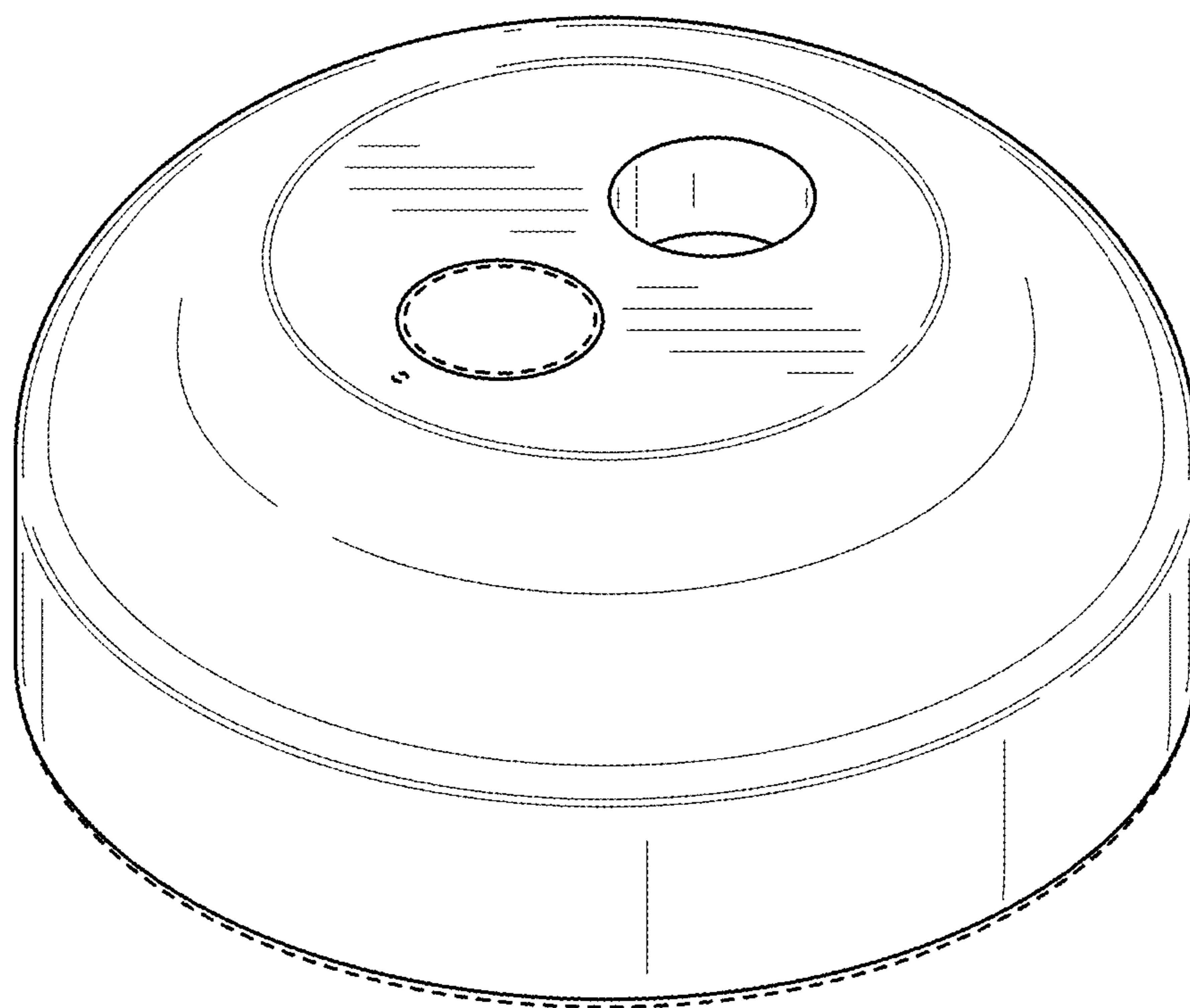


FIG. 1

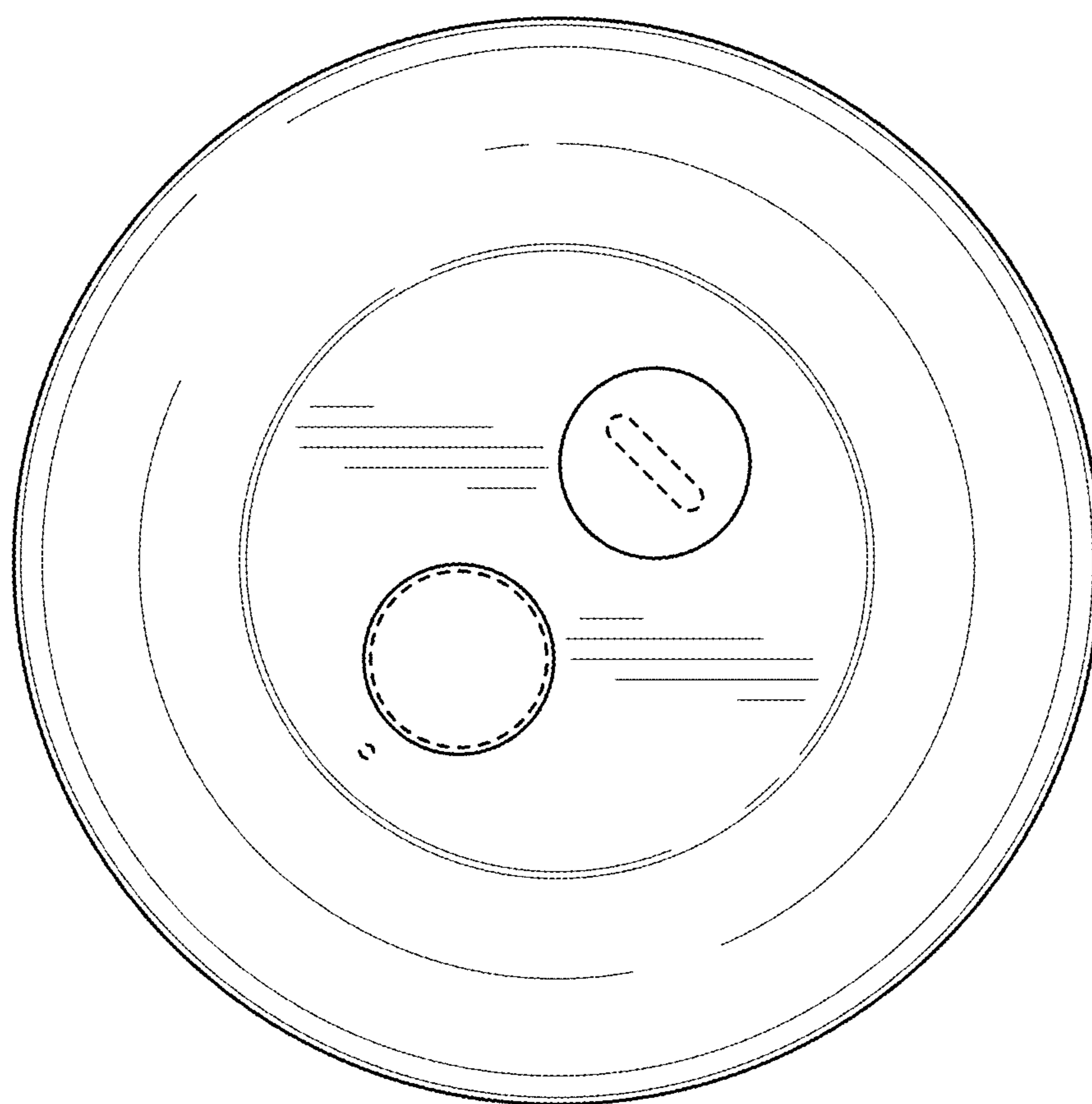


FIG. 2

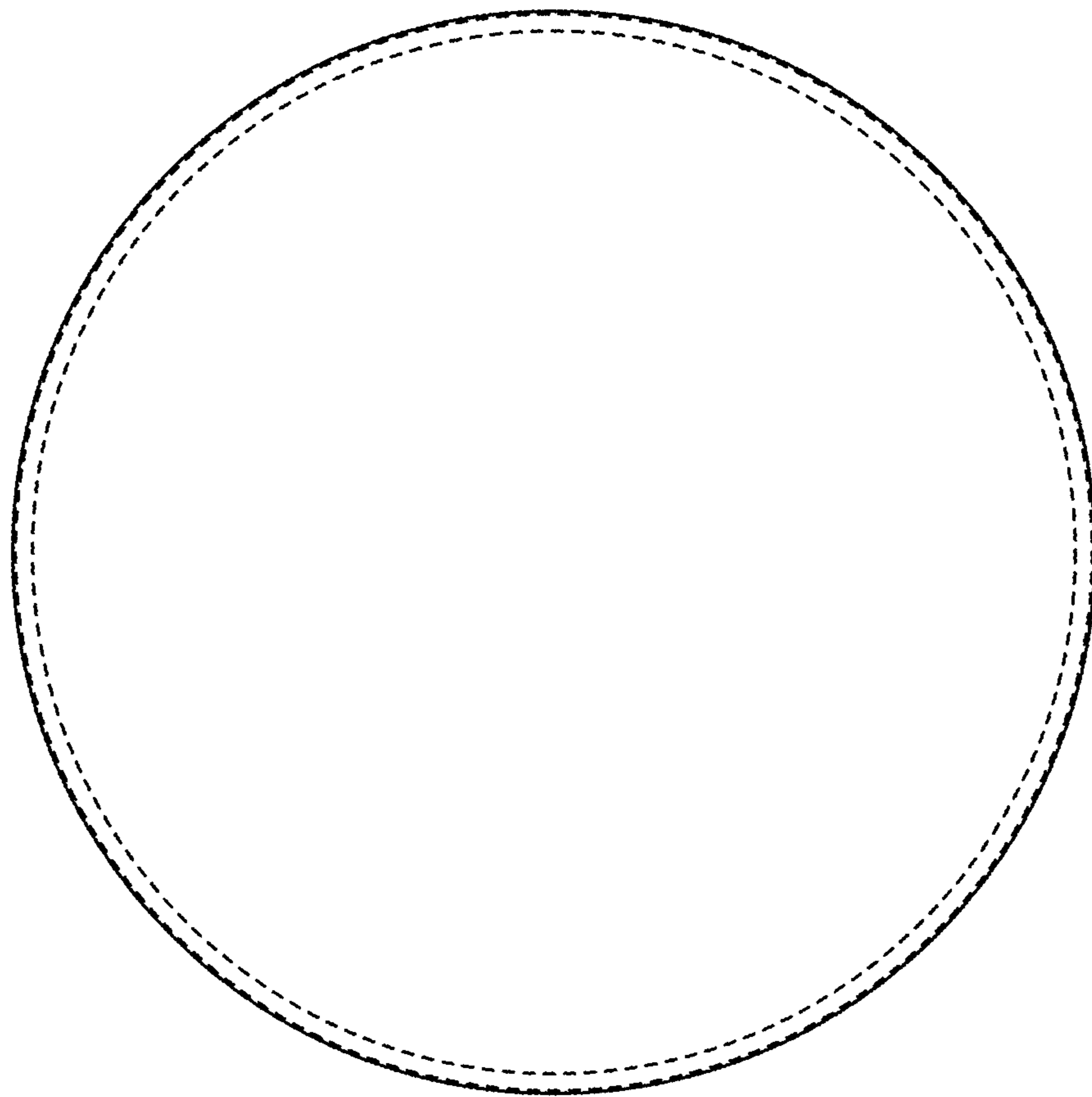


FIG. 3

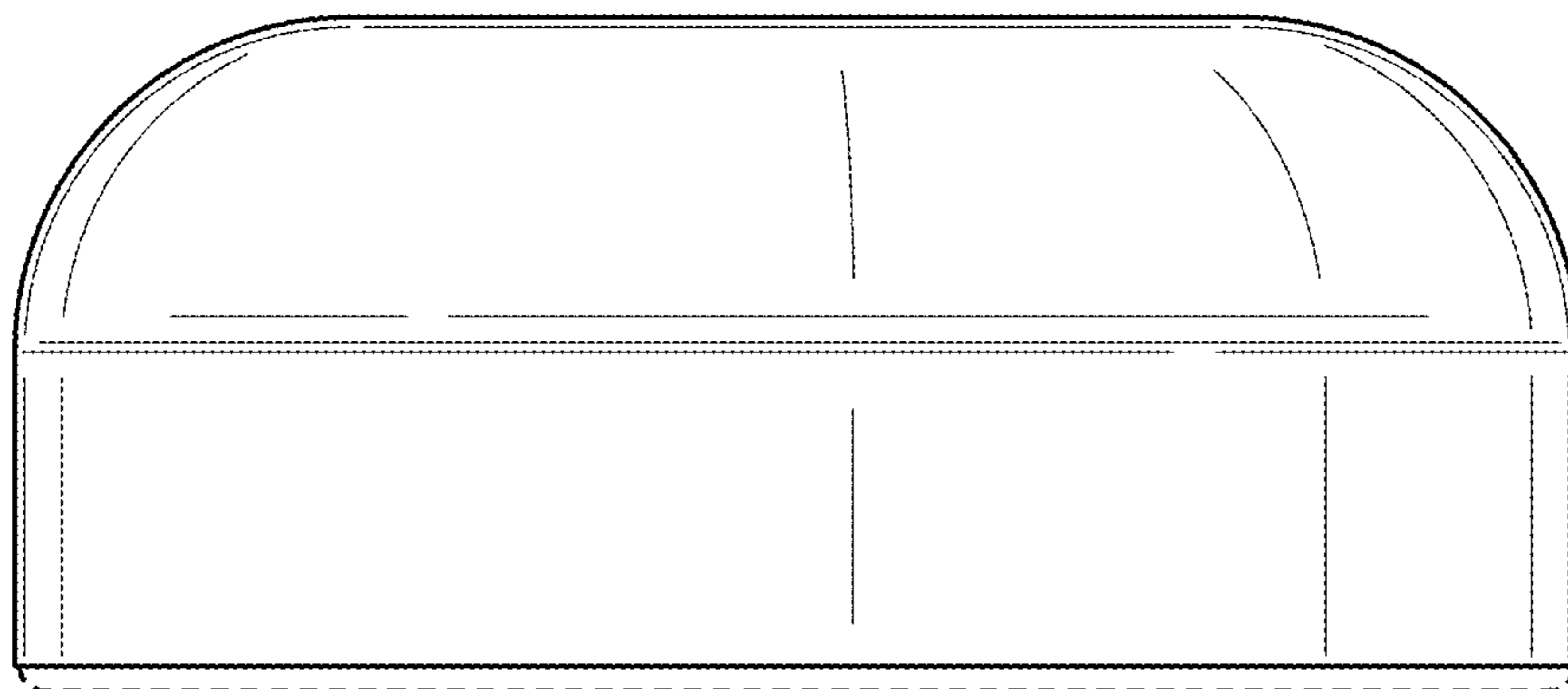


FIG. 4

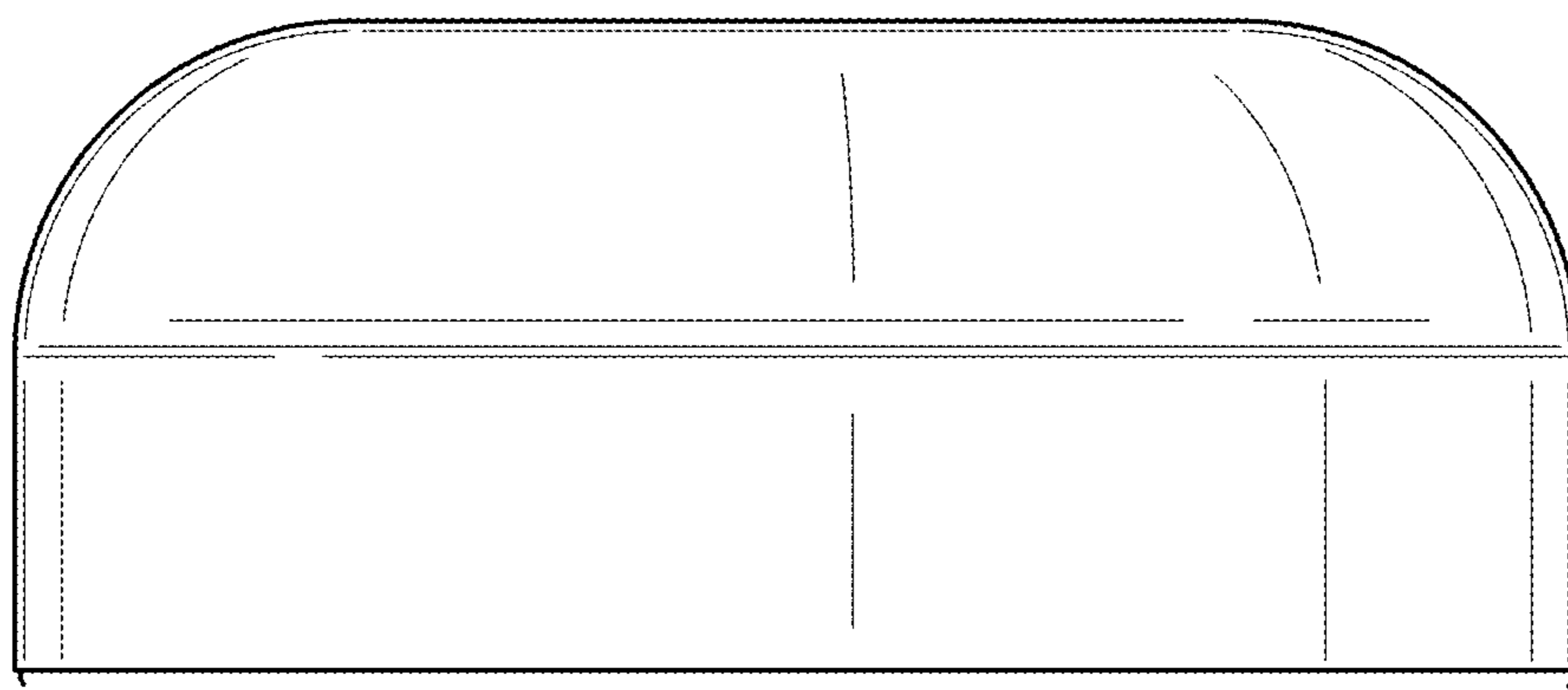


FIG. 5

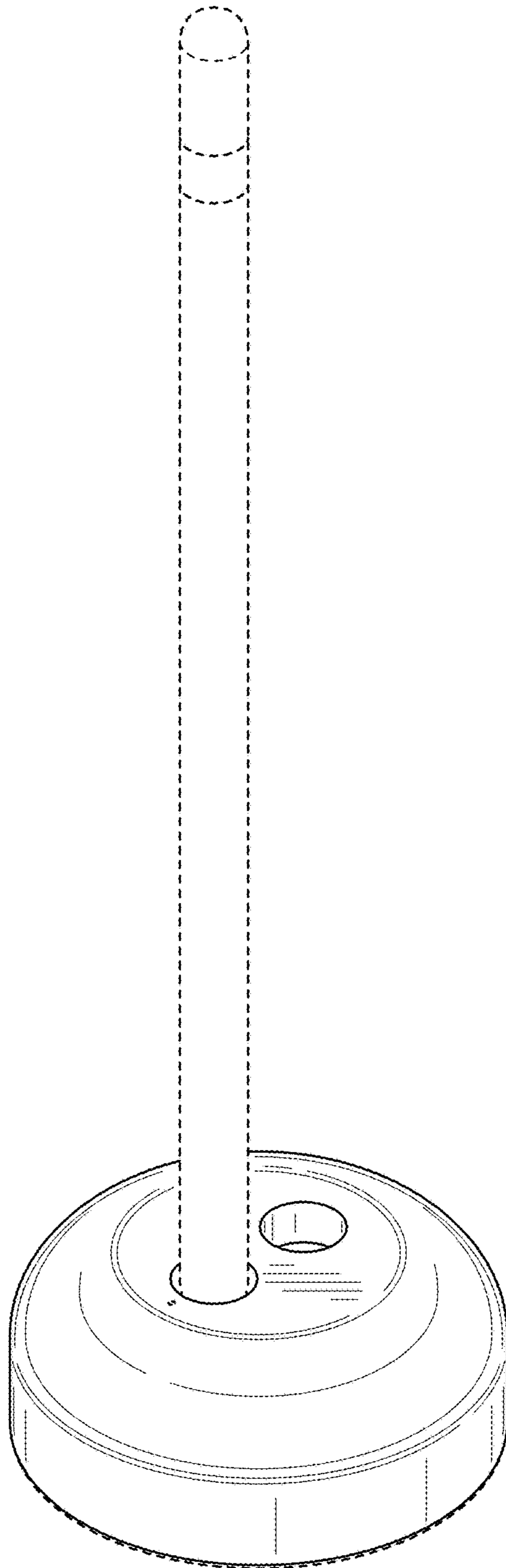


FIG. 6