



US00D789367S

(12) **United States Design Patent** (10) **Patent No.:** **US D789,367 S**  
**Jentz et al.** (45) **Date of Patent:** **\*\* Jun. 13, 2017**

(54) **COMPUTER INPUT DEVICE**  
(71) Applicant: **Microsoft Corporation**, Redmond, WA (US)

D349,491 S \* 8/1994 Copper ..... D14/388  
D389,501 S 1/1998 Mascarenas, Sr. et al.  
D410,909 S \* 6/1999 Tickle ..... D14/388  
(Continued)

(72) Inventors: **Lorenz Henric Jentz**, Seattle, WA (US); **Young Duk Song**, Kirkland, WA (US); **YeongKyu Yoo**, Bellevue, WA (US); **Nicolas Denhez**, Seattle, WA (US)

FOREIGN PATENT DOCUMENTS

JP 2002246639 A 8/2002  
JP 2002323633 A 11/2002  
JP 2003008054 A 1/2003

(73) Assignee: **Microsoft Corporation**, Redmond, WA (US)

OTHER PUBLICATIONS

Microsoft Wireless Controller. (Design - © Questel). orbit.com. [online PDF] 50 pgs. Print Date Feb. 10, 2017. [retrieved on Mar. 14, 2017] <https://sobjprd.questel.fr/export/QPTUJ214/pdf2/1b4dd9f9-1a4e-4d4f-9592-f757a11a123b-203947.pdf>.\*

(\*\*) Term: **15 Years**

(Continued)

(21) Appl. No.: **29/556,245**

(22) Filed: **Feb. 29, 2016**

*Primary Examiner* — Susan Bennett Hattan

(51) **LOC (10) Cl.** ..... **14-02**

*Assistant Examiner* — Marie Fast Horse

(52) **U.S. Cl.**

(74) *Attorney, Agent, or Firm* — Banner & Witcoff, Ltd.

USPC ..... **D14/388**; D14/218; D14/454

(57) **CLAIM**

(58) **Field of Classification Search**

The ornamental design for a computer input device, as shown and described.

USPC ..... D14/356–358, 388, 389, 400, 402, 405, D14/408, 411, 432, 454, 460, 496, 217, D14/218, 299; D21/324–333, 517, 512; D13/123, 162, 162.1, 168, 171–174; D24/184–186

**DESCRIPTION**

CPC . G06F 3/00; G06F 3/002; G06F 3/014; G06F 3/0308; G06F 3/0321; G06F 3/033; G06F 3/0338; G06F 3/03543; G06F 3/03545; G06F 3/03547; G06F 3/038; G06F 3/039; G06F 3/041; G06F 3/0414; G06F 3/044; H04N 5/232

FIG. 1 is a top perspective view of a computer input device showing our new design;  
FIG. 2 is a top view thereof;  
FIG. 3 is a bottom view thereof;  
FIG. 4 is a right side view thereof;  
FIG. 5 is a left side view thereof;  
FIG. 6 is a front view thereof;  
FIG. 7 is a rear view thereof; and,  
FIG. 8 is bottom perspective view thereof, showing the strap in an alternate position for use.

See application file for complete search history.

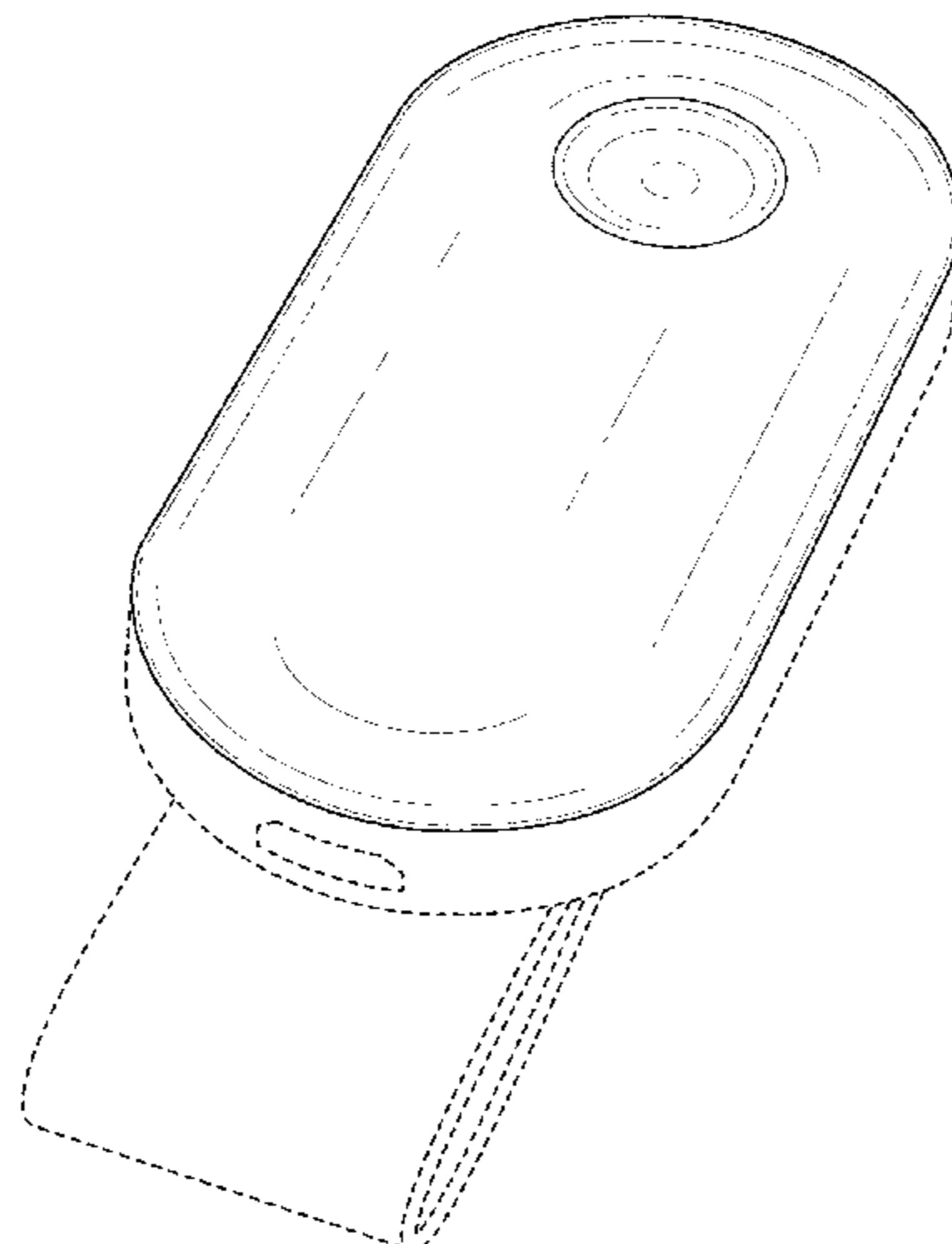
The broken lines in the drawings depict parts of the computer input device that form no part of the claimed design. The broken lines and unshaded surfaces shown in the drawings are not claimed.

(56) **References Cited**

U.S. PATENT DOCUMENTS

D340,042 S \* 10/1993 Copper ..... D14/388  
5,280,276 A \* 1/1994 Kwok ..... G06F 3/03541  
345/163

**1 Claim, 6 Drawing Sheets**



(56)

References Cited

U.S. PATENT DOCUMENTS

D444,489 S 7/2001 Suto et al.  
 D465,469 S \* 11/2002 Heath ..... D10/104.1  
 D476,975 S 7/2003 Rodriquez, Sr.  
 D483,281 S \* 12/2003 Cobigo ..... D10/104.1  
 D496,653 S \* 9/2004 Townsend ..... D14/240  
 D500,484 S \* 1/2005 Deguchi ..... D14/480.1  
 D502,929 S 3/2005 Copeland et al.  
 D504,886 S 5/2005 Yasutomi  
 D506,199 S \* 6/2005 Huang ..... D14/402  
 D506,463 S 6/2005 Daniels  
 D515,072 S 2/2006 Lee  
 D516,576 S 3/2006 Ive et al.  
 D520,991 S \* 5/2006 Ma ..... D14/240  
 D532,777 S 11/2006 Yu et al.  
 D534,896 S \* 1/2007 Lin ..... D14/188  
 D535,261 S 1/2007 Daniels  
 D542,678 S \* 5/2007 Miller ..... D10/65  
 D542,781 S 5/2007 Chen et al.  
 D546,472 S \* 7/2007 Wu ..... D24/215  
 D546,807 S 7/2007 Lee  
 D548,728 S \* 8/2007 Yoshiyama ..... D14/218  
 D548,749 S \* 8/2007 Schmidt ..... D14/496  
 D550,267 S 9/2007 Oh et al.  
 D551,659 S 9/2007 Shih et al.  
 D561,703 S \* 2/2008 Shimokawa ..... D13/168  
 D562,778 S \* 2/2008 Bonnaud ..... D13/168  
 D567,804 S 4/2008 Yan  
 D568,827 S 5/2008 Ikeda et al.  
 D571,305 S \* 6/2008 Thursfield ..... D13/168  
 D576,113 S 9/2008 Kindle et al.  
 D577,721 S \* 9/2008 O'Neil ..... D14/358  
 D580,914 S 11/2008 Tsao  
 D582,895 S 12/2008 Frazer  
 7,471,334 B1 12/2008 Stenger  
 D584,291 S 1/2009 Tsao  
 D584,739 S \* 1/2009 Ahlgren ..... D14/496  
 D594,850 S 6/2009 Yan  
 D596,163 S \* 7/2009 Madonna ..... D14/218  
 D600,228 S \* 9/2009 Finney ..... D14/138 AC  
 D600,732 S 9/2009 Kim  
 D605,170 S \* 12/2009 Keinanen ..... D14/205  
 D614,605 S 4/2010 Teh et al.  
 D622,685 S \* 8/2010 Garra ..... D14/137  
 D622,703 S 8/2010 Cheng Teh et al.  
 D627,815 S 11/2010 Oba  
 D628,222 S 11/2010 Tzeng et al.  
 D628,986 S 12/2010 VanDuyn et al.  
 D630,189 S 1/2011 Daniels et al.  
 D631,483 S \* 1/2011 Nelson ..... D14/484.1  
 D633,478 S 3/2011 Bolton  
 D633,507 S \* 3/2011 Nelson ..... D14/484.1  
 D634,734 S 3/2011 Cho  
 D638,825 S 5/2011 VanDuyn et al.  
 D640,669 S 6/2011 Cho et al.  
 D641,388 S 7/2011 Shih et al.  
 D641,771 S 7/2011 Sasaki et al.  
 D643,056 S 8/2011 Zaliauskas et al.  
 D645,045 S \* 9/2011 Cacioppo ..... D14/218  
 D645,848 S 9/2011 Arnholt et al.  
 D647,510 S 10/2011 Maier et al.  
 D648,285 S 11/2011 Kashimoto  
 D648,327 S 11/2011 Maier et al.  
 D648,703 S 11/2011 Andre et al.  
 D649,532 S \* 11/2011 Tran ..... D14/218  
 D651,589 S \* 1/2012 Fischer ..... D14/218  
 D656,488 S 3/2012 Nakayama et al.  
 D661,688 S 6/2012 Weitgasser  
 D661,689 S 6/2012 Weitgasser  
 D661,690 S 6/2012 Weitgasser  
 D663,289 S 7/2012 Murchison et al.

D664,945 S 8/2012 Morris et al.  
 D664,946 S 8/2012 Morris et al.  
 D667,382 S \* 9/2012 Cosentino ..... D13/168  
 D669,452 S 10/2012 Akana et al.  
 D671,505 S \* 11/2012 Clark ..... D13/168  
 D673,953 S \* 1/2013 Li ..... D11/27  
 D675,660 S 2/2013 Su  
 D679,680 S \* 4/2013 Wood ..... D14/218  
 8,475,059 B2 7/2013 Khamsepoor et al.  
 D687,815 S 8/2013 Hwangho et al.  
 D689,826 S 9/2013 Kato  
 D689,862 S \* 9/2013 Liu ..... D14/402  
 D693,332 S \* 11/2013 Lee ..... D13/168  
 D694,738 S 12/2013 Yang  
 D695,272 S 12/2013 Hansen et al.  
 D697,057 S 1/2014 Kwon et al.  
 D697,497 S 1/2014 Lai  
 D699,223 S 2/2014 Maier et al.  
 D701,496 S \* 3/2014 Namminga ..... D13/168  
 D703,189 S 4/2014 Won et al.  
 D703,190 S 4/2014 Zaslavsky et al.  
 D706,278 S \* 6/2014 Fukuoka ..... D14/480.5  
 D713,820 S 9/2014 O'Neil  
 D714,761 S 10/2014 O'Neil  
 D714,762 S 10/2014 O'Neil  
 D721,114 S 1/2015 Nuk et al.  
 D726,831 S \* 4/2015 Lee ..... D13/168  
 D735,195 S \* 7/2015 Yakel ..... D14/218  
 D740,793 S \* 10/2015 Jobetto ..... D14/225  
 D743,381 S \* 11/2015 Pi ..... D14/218  
 D762,215 S \* 7/2016 Luttrell ..... D14/388  
 D763,830 S \* 8/2016 Jones ..... D14/218  
 D764,461 S \* 8/2016 Romanoff ..... D14/358  
 D764,462 S \* 8/2016 Romanoff ..... D14/358  
 D764,463 S \* 8/2016 Dwivedula ..... D14/358  
 D765,059 S \* 8/2016 Fries ..... D14/218  
 D765,609 S \* 9/2016 Hasegawa ..... D13/168  
 D767,567 S \* 9/2016 McWilliam ..... D14/358  
 D767,568 S \* 9/2016 McWilliam ..... D14/358  
 D768,114 S \* 10/2016 Hou ..... D13/168  
 D768,606 S \* 10/2016 Shimonishi ..... D14/218  
 D772,821 S \* 11/2016 Bristol ..... D13/168  
 D775,233 S \* 12/2016 Beck ..... D14/203.6  
 D776,640 S \* 1/2017 Simonian ..... D14/218  
 D777,331 S \* 1/2017 Jayalath ..... D14/344  
 D780,807 S \* 3/2017 Chen ..... D14/203.3  
 2006/0049579 A1 \* 3/2006 Miyamoto ..... G06F 3/039  
 273/148 B  
 2007/0176894 A1 \* 8/2007 Abe ..... H04N 5/4403  
 345/156  
 2011/0124383 A1 \* 5/2011 Garra ..... H04M 1/72519  
 455/575.1  
 2011/0225536 A1 \* 9/2011 Shams ..... G02B 27/017  
 715/773

OTHER PUBLICATIONS

HoloLens Controller and Start Menu Video Leaked. telkomgaming.co.za .(Online) 3 pgs. Posted Feb. 24, 2016. [retrieved on Mar. 14, 2017] <http://telkomgaming.co.za/hololens-controller-and-start-menu-video-leaked/>.  
 U.S. Appl. No. 29/556,243, filed Feb. 29, 2016, Lorenz Henric Jentz.  
 U.S. Appl. No. 29/556,229, filed Feb. 29, 2016, Lorenz Henric Jentz.  
 U.S. Appl. No. 29/556,223, filed Feb. 29, 2016, Lorenz Henric Jentz.  
 U.S. Appl. No. 29/556,239, filed Feb. 29, 2016, Lorenz Henric Jentz.

\* cited by examiner

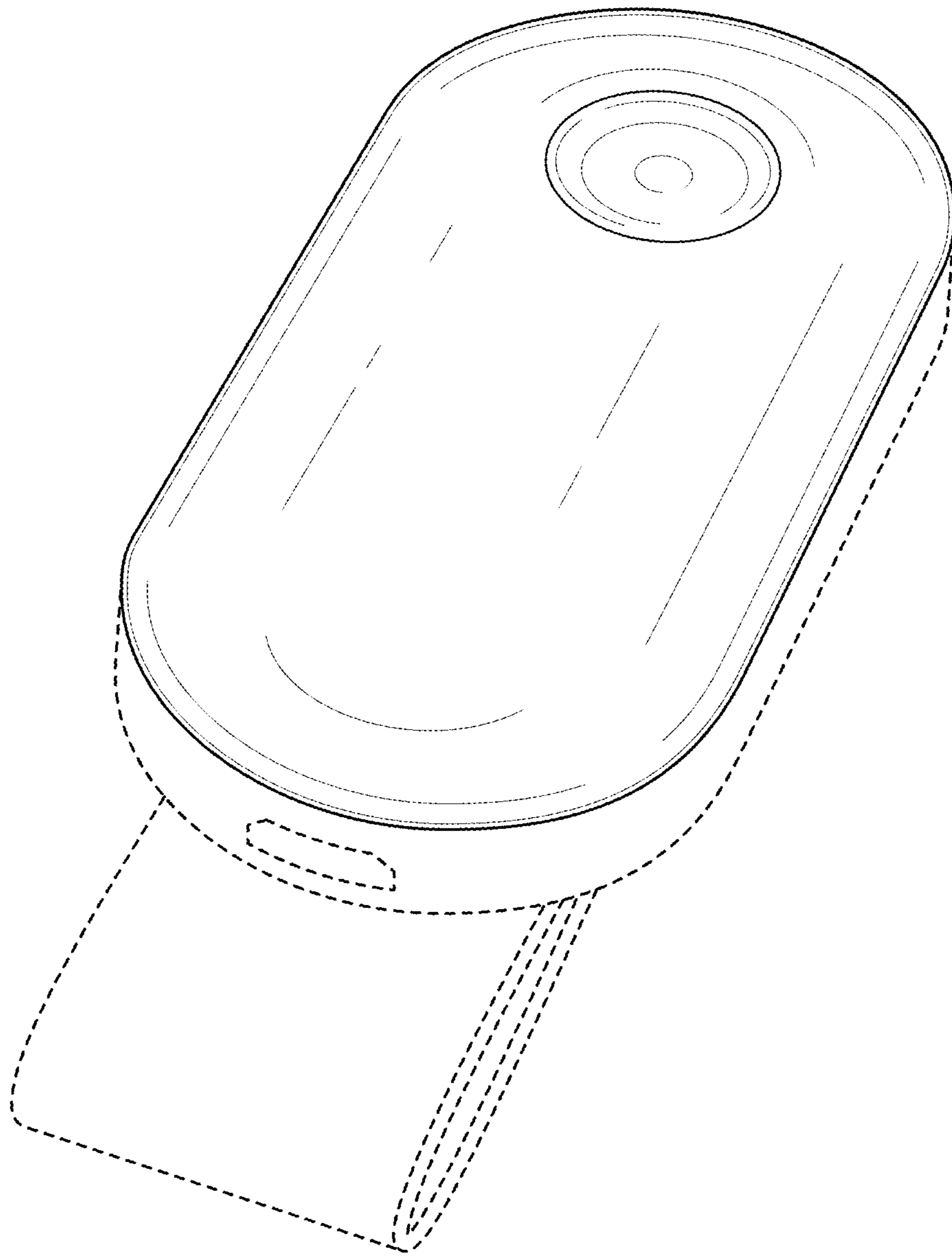


FIG. 1

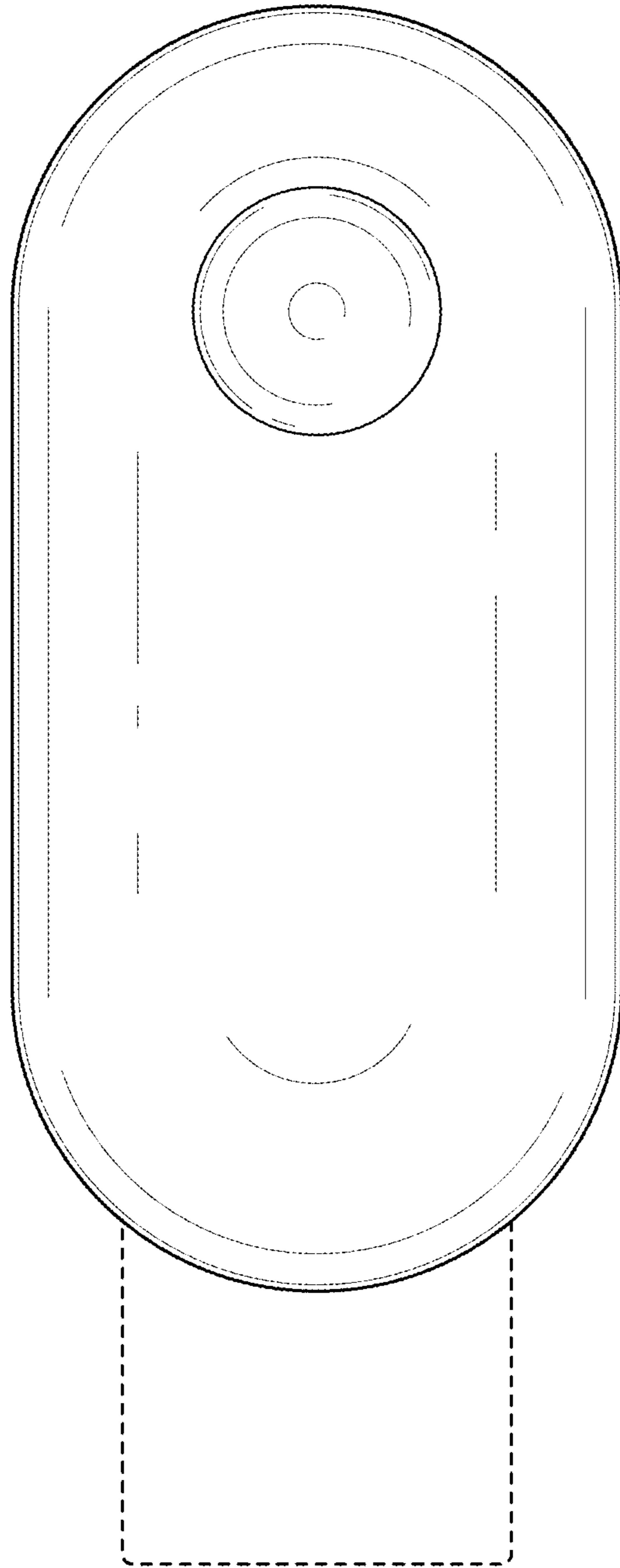


FIG. 2

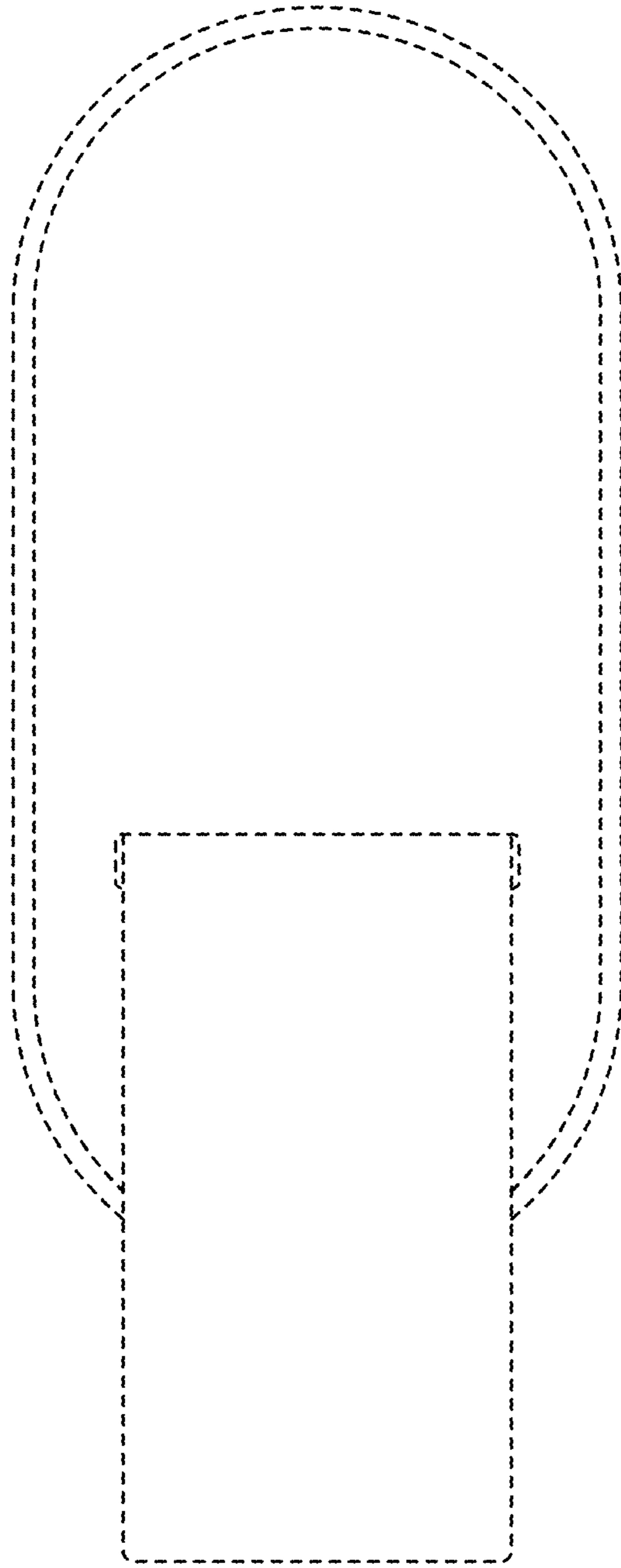


FIG. 3

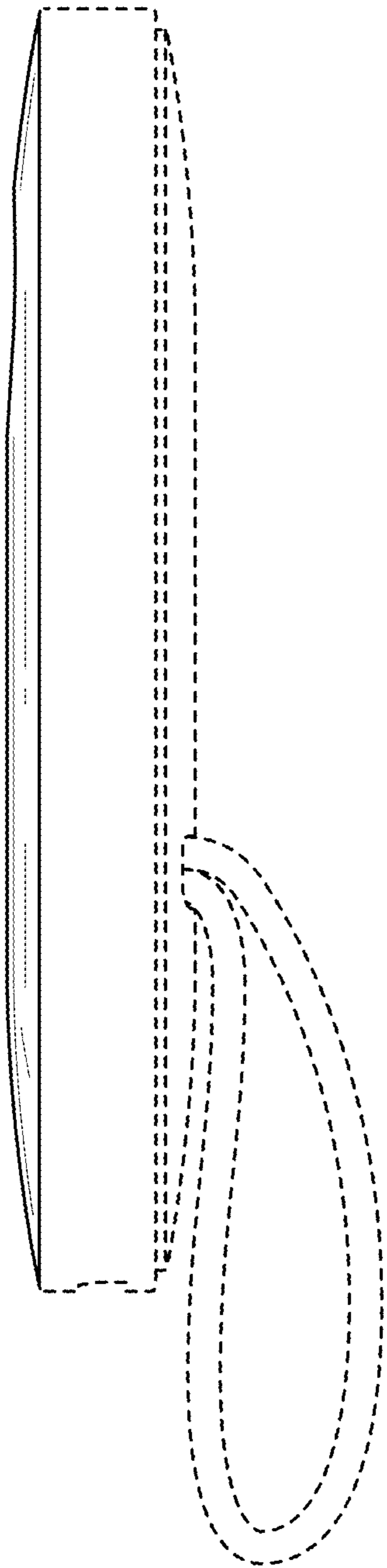


FIG. 4

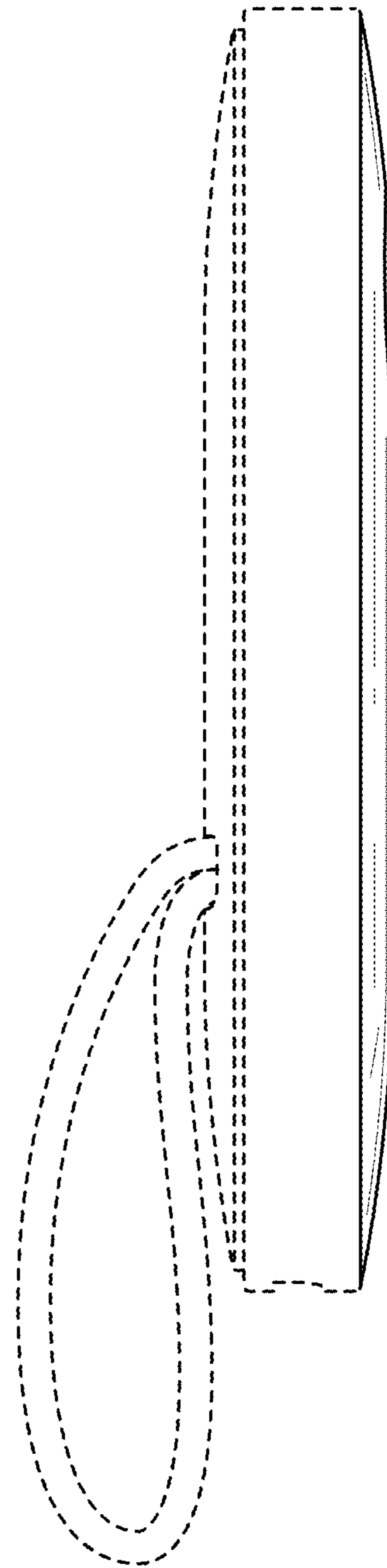


FIG. 5

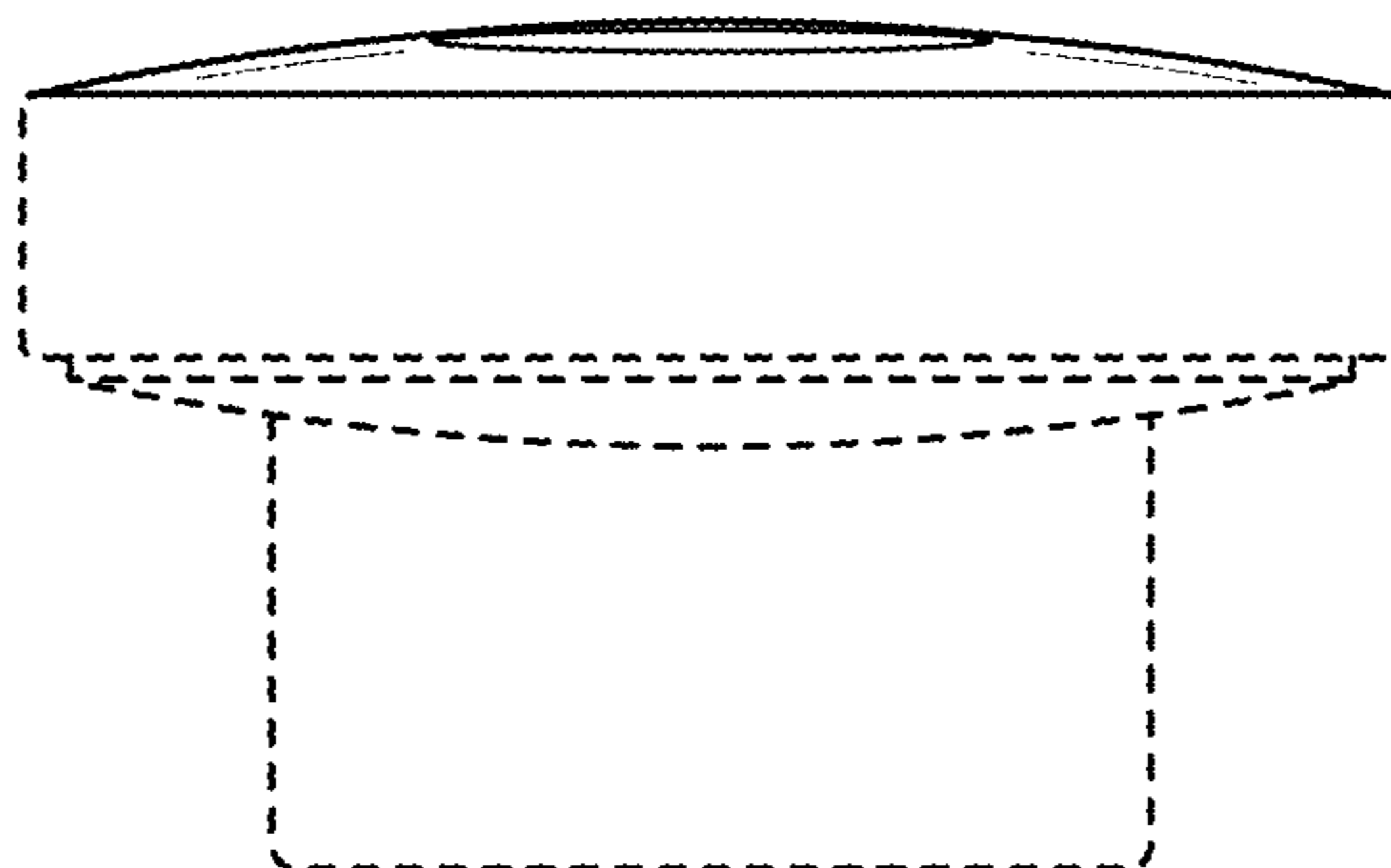


FIG. 6

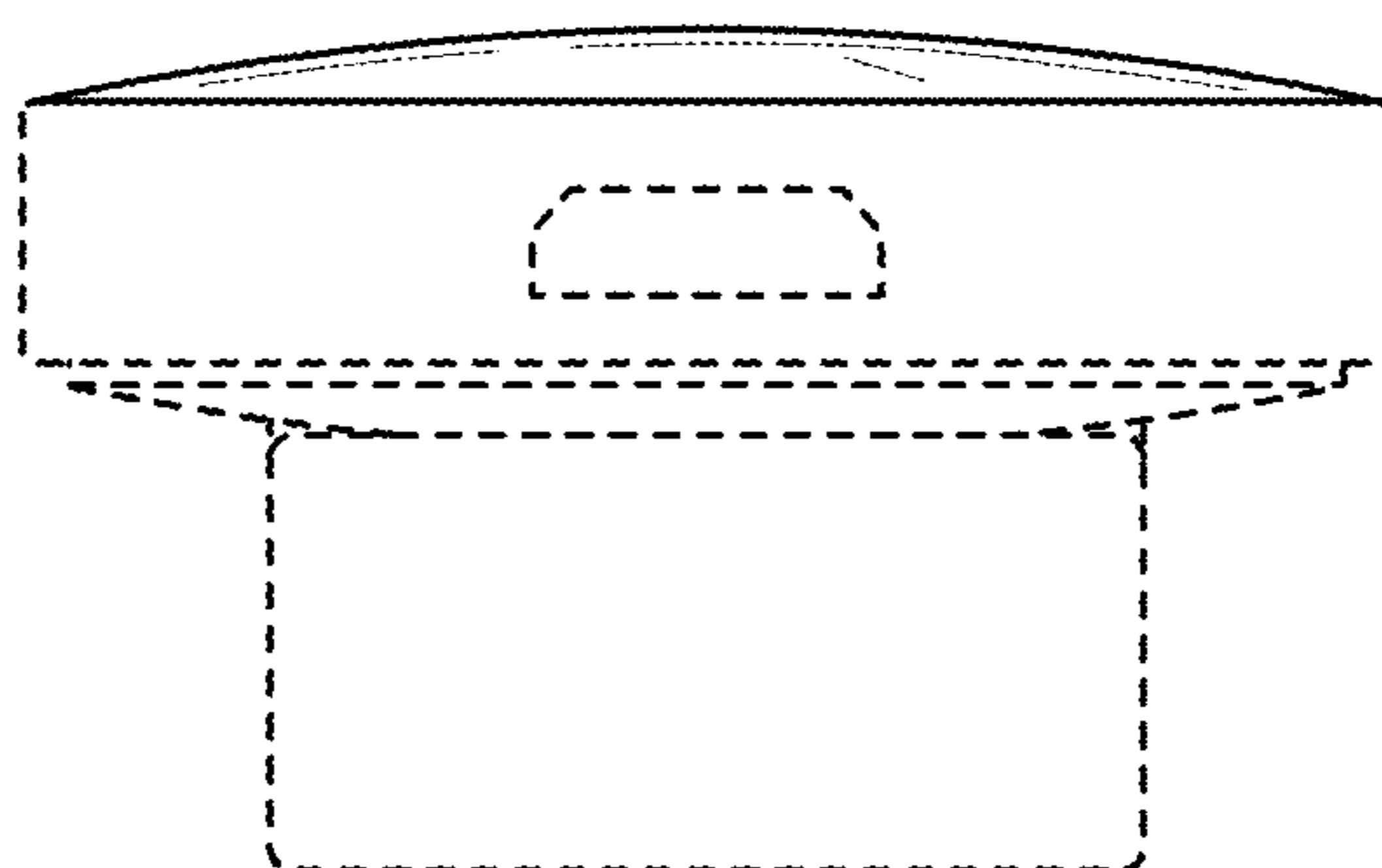


FIG. 7

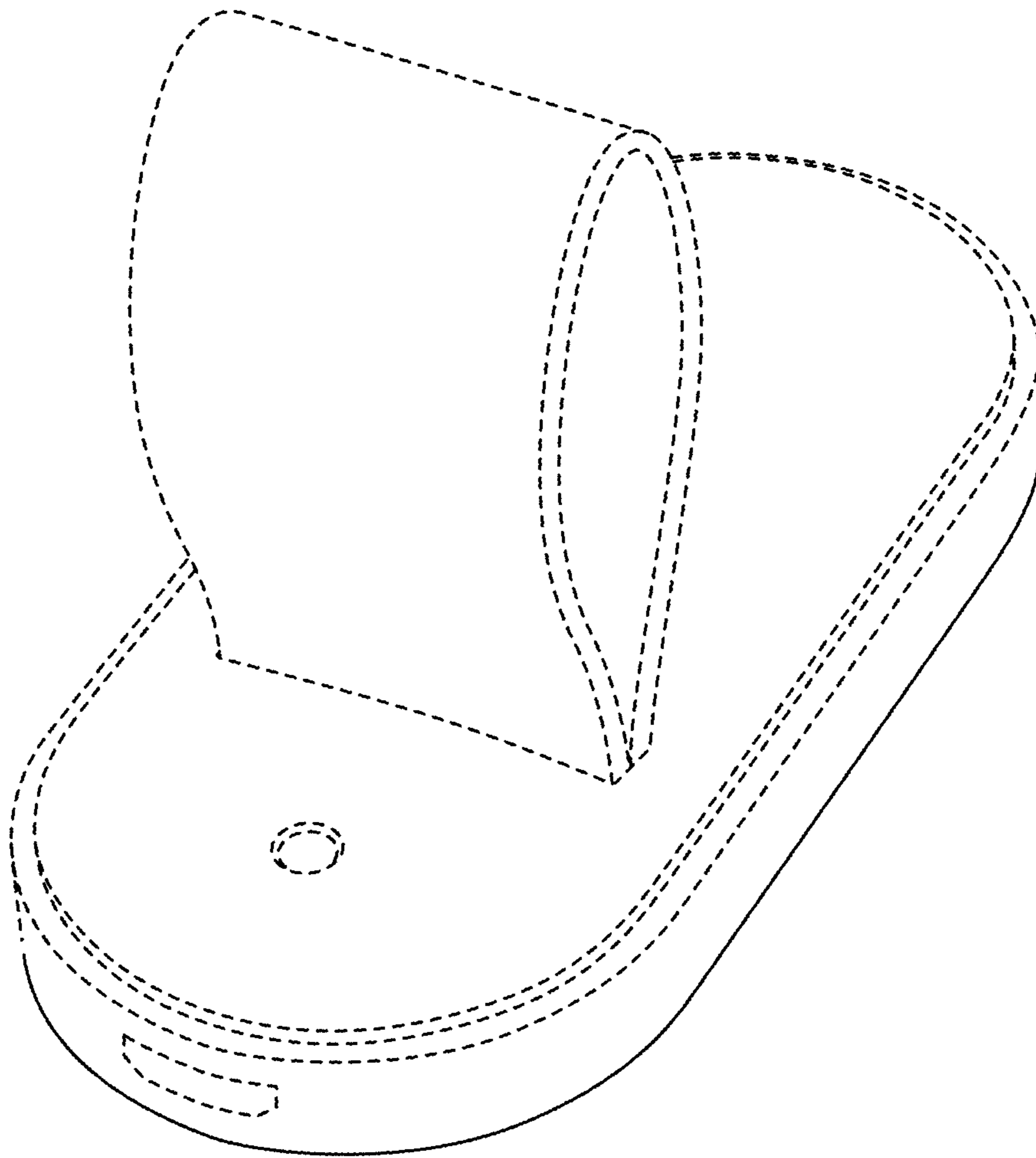


FIG. 8