



US00D789366S

(12) **United States Design Patent** (10) **Patent No.:** **US D789,366 S**
Jentz et al. (45) **Date of Patent:** **** Jun. 13, 2017**

(54) **COMPUTER INPUT DEVICE**
(71) Applicant: **Microsoft Corporation**, Redmond, WA (US)

D349,491 S * 8/1994 Copper D14/388
D389,501 S 1/1998 Mascarenas, Sr. et al.
D410,909 S * 6/1999 Tickle D14/388
(Continued)

(72) Inventors: **Lorenz Henric Jentz**, Seattle, WA (US); **Young Duk Song**, Kirkland, WA (US); **YeongKyu Yoo**, Bellevue, WA (US); **Nicolas Denhez**, Seattle, WA (US)

FOREIGN PATENT DOCUMENTS

JP 2002246639 A 8/2002
JP 2002323633 A 11/2002
JP 2003008054 A 1/2003

(73) Assignee: **Microsoft Corporation**, Redmond, WA (US)

OTHER PUBLICATIONS

Microsoft Wireless Controller. (Design—© Questel). orbit.com. [online PDF] 50 pgs. Print Date Feb. 10, 2017. [retrieved on Mar. 14, 2017] <https://sobjprd.questel.fr/export/QPTUJ214/pdf2/1b4dd9f9-1a4e-4d4f-9592-f757a11a123b-203947.pdf>.*

(**) Term: **15 Years**

(21) Appl. No.: **29/556,243**

(Continued)

(22) Filed: **Feb. 29, 2016**

Primary Examiner — Susan Bennett Hattan

(51) **LOC (10) Cl.** **14-02**

Assistant Examiner — Marie Fast Horse

(52) **U.S. Cl.**

(74) *Attorney, Agent, or Firm* — Banner & Witcoff, Ltd.

USPC **D14/388**; D14/218

(57) **CLAIM**

(58) **Field of Classification Search**

The ornamental design for a computer input device, as shown and described.

USPC D14/356–358, 388, 389, 400, 402, 405, D14/408, 411, 432, 454, 460, 496, 217, D14/218, 299; D21/324–333, 517, 512; D13/123, 162, 162.1, 168, 171–174; D24/184–186

DESCRIPTION

CPC . G06F 3/00; G06F 3/002; G06F 3/014; G06F 3/0308; G06F 3/0321; G06F 3/033; G06F 3/0338; G06F 3/03543; G06F 3/03545; G06F 3/03547; G06F 3/038; G06F 3/039; G06F 3/041; G06F 3/0414; G06F 3/044; H04N 5/232

FIG. 1 is a top perspective view of a computer input device showing our new design;
FIG. 2 is a top view thereof;
FIG. 3 is a bottom view thereof;
FIG. 4 is a right side view thereof;
FIG. 5 is a left side view thereof;
FIG. 6 is a front view thereof;
FIG. 7 is a rear view thereof; and,
FIG. 8 is bottom perspective view thereof, showing the strap in an alternate position for use.

See application file for complete search history.

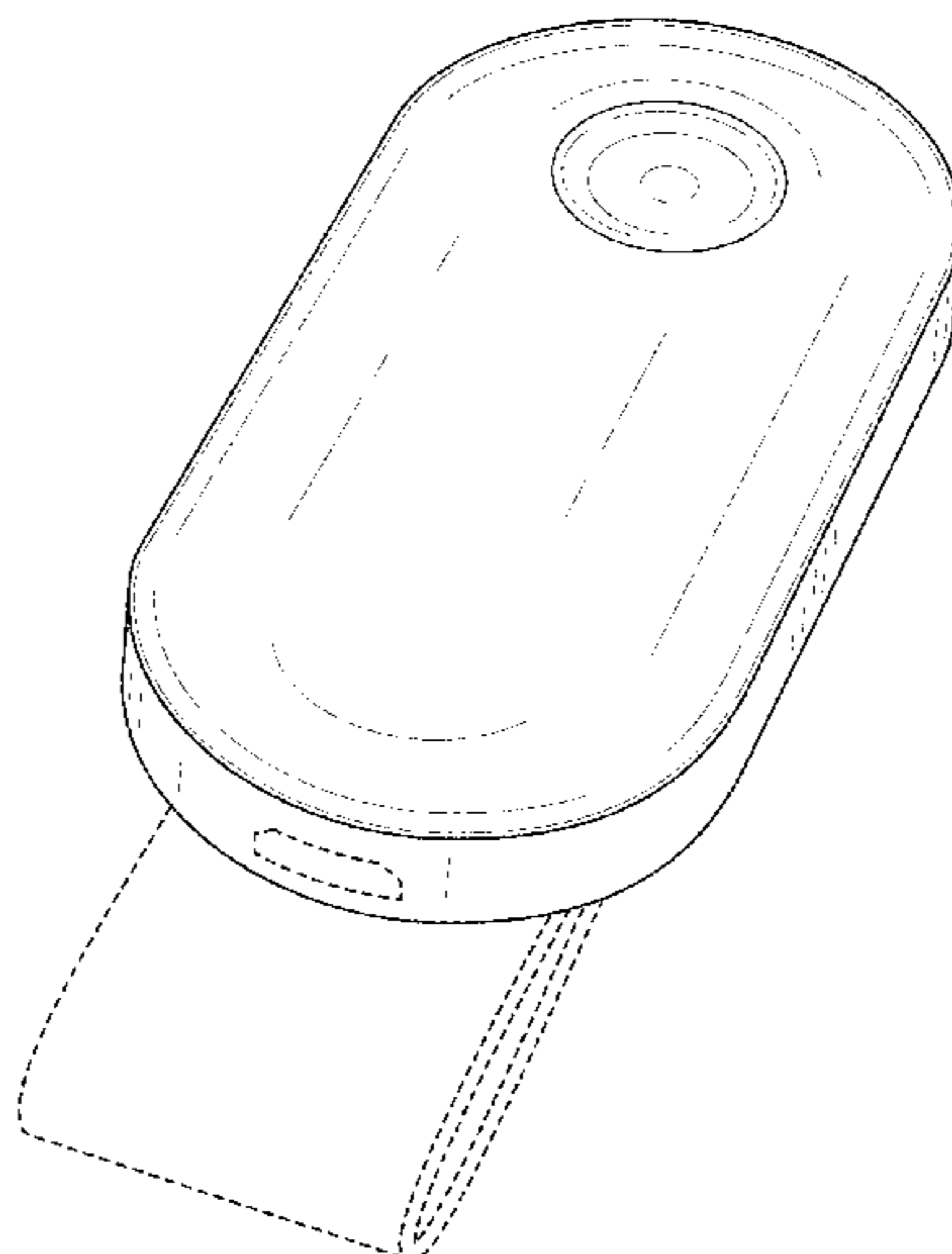
The broken lines in the drawings depict parts of the computer input device that form no part of the claimed design. The broken lines and unshaded surfaces shown in the drawings are not claimed.

(56) **References Cited**

U.S. PATENT DOCUMENTS

D340,042 S * 10/1993 Copper D14/388
5,280,276 A * 1/1994 Kwok G06F 3/03541
345/163

1 Claim, 6 Drawing Sheets



(56)

References Cited

U.S. PATENT DOCUMENTS

D444,489 S 7/2001 Suto et al.
 D465,469 S * 11/2002 Heath D10/104.1
 D476,975 S 7/2003 Rodriquez, Sr.
 D483,281 S * 12/2003 Cobigo D10/104.1
 D496,653 S * 9/2004 Townsend D14/240
 D500,484 S * 1/2005 Deguchi D14/480.1
 D502,929 S 3/2005 Copeland et al.
 D504,886 S 5/2005 Yasutomi
 D506,199 S * 6/2005 Huang D14/402
 D506,463 S 6/2005 Daniels
 D515,072 S 2/2006 Lee
 D516,576 S 3/2006 Ive et al.
 D520,991 S * 5/2006 Ma D14/240
 D532,777 S 11/2006 Yu et al.
 D534,896 S * 1/2007 Lin D14/188
 D535,261 S 1/2007 Daniels
 D542,678 S * 5/2007 Miller D10/65
 D542,781 S 5/2007 Chen et al.
 D546,472 S * 7/2007 Wu D24/215
 D546,807 S 7/2007 Lee
 D548,728 S * 8/2007 Yoshiyama D14/218
 D548,749 S * 8/2007 Schmidt D14/496
 D550,267 S 9/2007 Oh et al.
 D551,659 S 9/2007 Shih et al.
 D561,703 S * 2/2008 Shimokawa D13/168
 D562,778 S * 2/2008 Bonnaud D13/168
 D567,804 S 4/2008 Yan
 D568,827 S 5/2008 Ikeda et al.
 D571,305 S * 6/2008 Thursfield D13/168
 D576,113 S 9/2008 Kindle et al.
 D577,721 S * 9/2008 O'Neil D14/358
 D580,914 S 11/2008 Tsao
 D582,895 S 12/2008 Frazer
 7,471,334 B1 12/2008 Stenger
 D584,291 S 1/2009 Tsao
 D584,739 S * 1/2009 Ahlgren D14/496
 D594,850 S 6/2009 Yan
 D596,163 S * 7/2009 Madonna D14/218
 D600,228 S * 9/2009 Finney D14/138 AC
 D600,732 S 9/2009 Kim
 D605,170 S * 12/2009 Keinanen D14/205
 D614,605 S 4/2010 Teh et al.
 D622,685 S * 8/2010 Garra D14/137
 D622,703 S 8/2010 Cheng Teh et al.
 D627,815 S 11/2010 Oba
 D628,222 S 11/2010 Tzeng et al.
 D628,986 S 12/2010 VanDuyn et al.
 D630,189 S 1/2011 Daniels et al.
 D631,483 S * 1/2011 Nelson D14/484.1
 D633,478 S 3/2011 Bolton
 D633,507 S * 3/2011 Nelson D14/484.1
 D634,734 S 3/2011 Cho
 D638,825 S 5/2011 VanDuyn et al.
 D640,669 S 6/2011 Cho et al.
 D641,388 S 7/2011 Shih et al.
 D641,771 S 7/2011 Sasaki et al.
 D643,056 S 8/2011 Zaliauskas et al.
 D645,045 S * 9/2011 Cacioppo D14/218
 D645,848 S 9/2011 Arnholt et al.
 D647,510 S 10/2011 Maier et al.
 D648,285 S 11/2011 Kashimoto
 D648,327 S 11/2011 Maier et al.
 D648,703 S 11/2011 Andre et al.
 D649,532 S * 11/2011 Tran D14/218
 D651,589 S * 1/2012 Fischer D14/218
 D656,488 S 3/2012 Nakayama et al.
 D661,688 S 6/2012 Weitgasser
 D661,689 S 6/2012 Weitgasser
 D661,690 S 6/2012 Weitgasser
 D663,289 S 7/2012 Murchison et al.

D664,945 S 8/2012 Morris et al.
 D664,946 S 8/2012 Morris et al.
 D667,382 S * 9/2012 Cosentino D13/168
 D669,452 S 10/2012 Akana et al.
 D671,505 S * 11/2012 Clark D13/168
 D673,953 S * 1/2013 Li D11/27
 D675,660 S 2/2013 Su
 D679,680 S * 4/2013 Wood D14/218
 8,475,059 B2 7/2013 Khamsepoor et al.
 D687,815 S 8/2013 Hwangho et al.
 D689,826 S 9/2013 Kato
 D689,862 S * 9/2013 Liu D14/402
 D693,332 S * 11/2013 Lee D13/168
 D694,738 S 12/2013 Yang
 D695,272 S 12/2013 Hansen et al.
 D697,057 S 1/2014 Kwon et al.
 D697,497 S 1/2014 Lai
 D699,223 S 2/2014 Maier et al.
 D701,496 S * 3/2014 Namminga D13/168
 D703,189 S 4/2014 Won et al.
 D703,190 S 4/2014 Zaslavsky et al.
 D706,278 S * 6/2014 Fukuoka D14/480.5
 D713,820 S 9/2014 O'Neil
 D714,761 S 10/2014 O'Neil
 D714,762 S 10/2014 O'Neil
 D721,114 S 1/2015 Nuk et al.
 D726,831 S * 4/2015 Lee D13/168
 D735,195 S * 7/2015 Yakel D14/218
 D740,793 S * 10/2015 Jobetto D14/225
 D743,381 S * 11/2015 Pi D14/218
 D762,215 S * 7/2016 Luttrell D14/388
 D763,830 S * 8/2016 Jones D14/218
 D764,461 S * 8/2016 Romanoff D14/358
 D764,462 S * 8/2016 Romanoff D14/358
 D764,463 S * 8/2016 Dwivedula D14/358
 D765,059 S * 8/2016 Fries D14/218
 D765,609 S * 9/2016 Hasegawa D13/168
 D767,567 S * 9/2016 McWilliam D14/358
 D767,568 S * 9/2016 McWilliam D14/358
 D768,114 S * 10/2016 Hou D13/168
 D768,606 S * 10/2016 Shimonishi D14/218
 D772,821 S * 11/2016 Bristol D13/168
 D775,233 S * 12/2016 Beck D14/203.6
 D776,640 S * 1/2017 Simonian D14/218
 D777,331 S * 1/2017 Jayalath D14/344
 D780,807 S * 3/2017 Chen D14/203.3
 2006/0049579 A1 * 3/2006 Miyamoto G06F 3/039
 273/148 B
 2007/0176894 A1 * 8/2007 Abe H04N 5/4403
 345/156
 2011/0124383 A1 * 5/2011 Garra H04M 1/72519
 455/575.1
 2011/0225536 A1 * 9/2011 Shams G02B 27/017
 715/773

OTHER PUBLICATIONS

HoloLens Controller and Start Menu Video Leaked. telkomgaming.co.za .(Online) 3 pgs. Posted Feb. 24, 2016. [retrieved on Mar. 14, 2017] <http://telkomgaming.co.za/hololens-controller-and-start-menu-video-leaked/>.
 U.S. Appl. No. 29/556,229, filed Feb. 29, 2016, Lorenz Henric Jentz.
 U.S. Appl. No. 29/556,245, filed Feb. 29, 2016, Lorenz Henric Jentz.
 U.S. Appl. No. 29/556,223, filed Feb. 29, 2016, Lorenz Henric Jentz.
 U.S. Appl. No. 29/556,239, filed Feb. 29, 2016, Lorenz Henric Jentz.

* cited by examiner

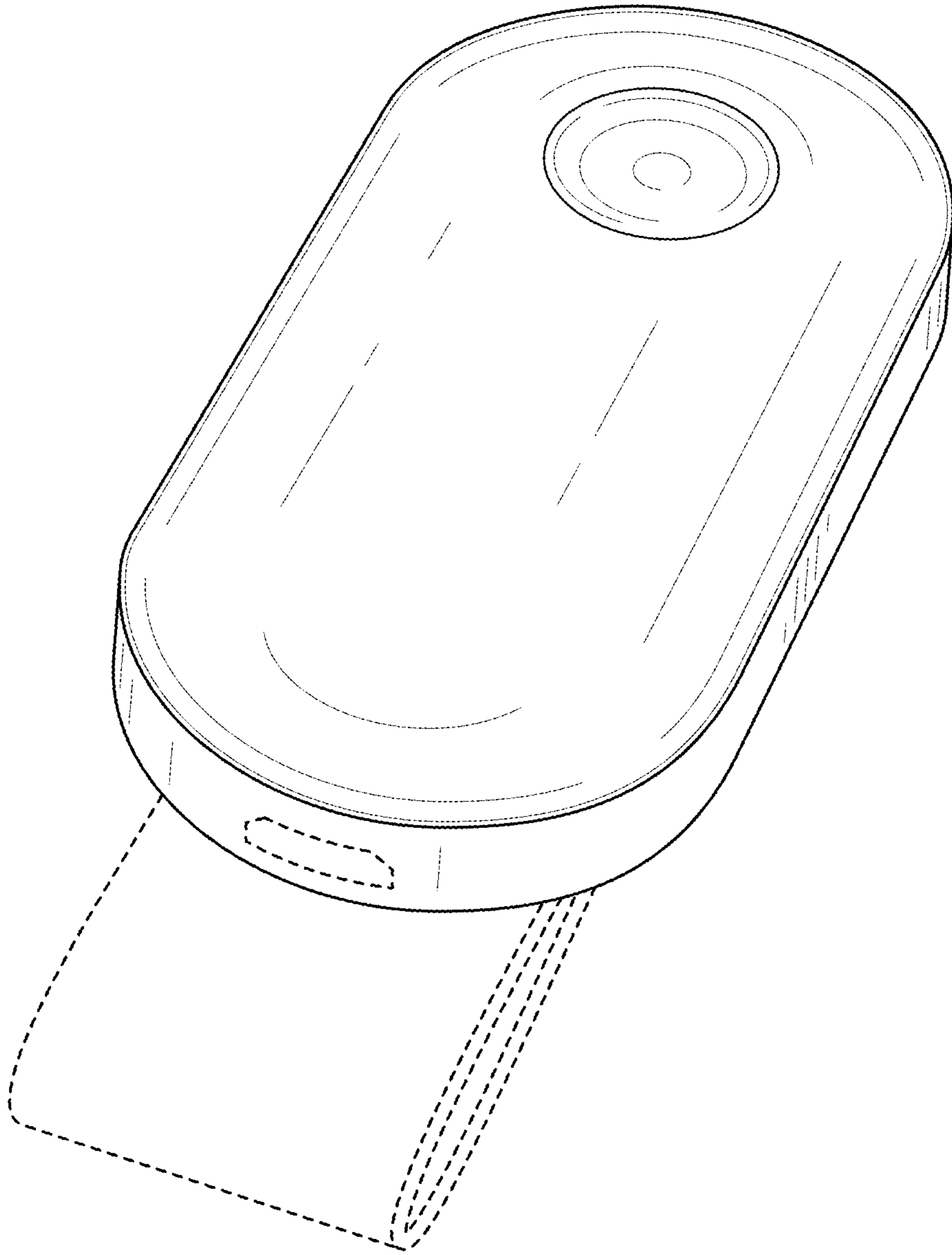


FIG. 1

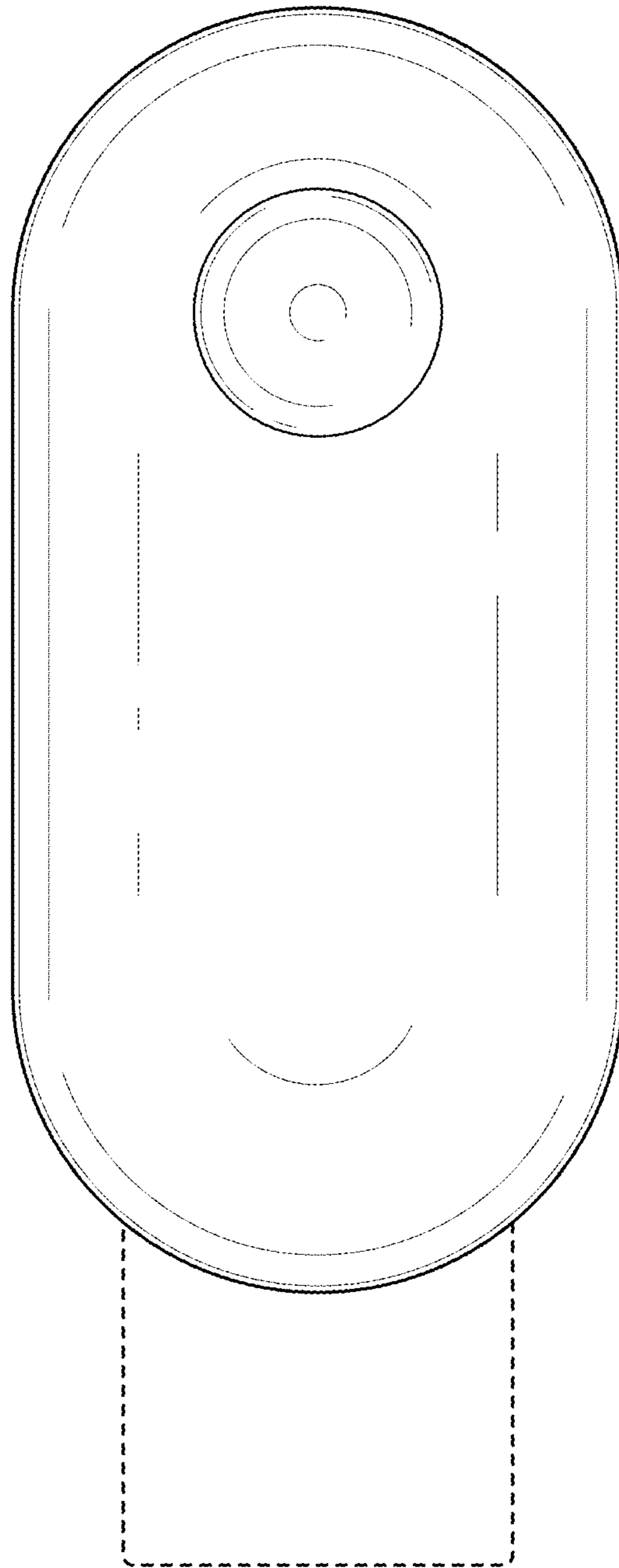


FIG. 2

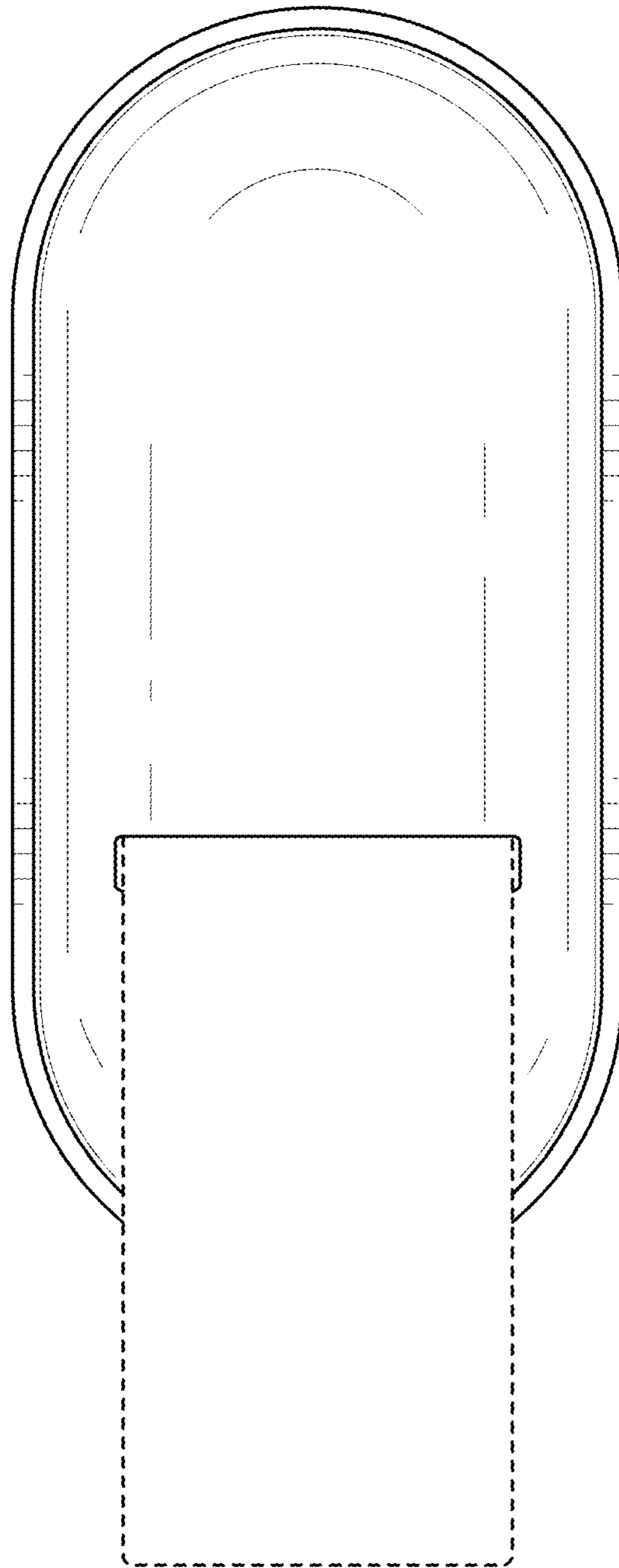


FIG. 3

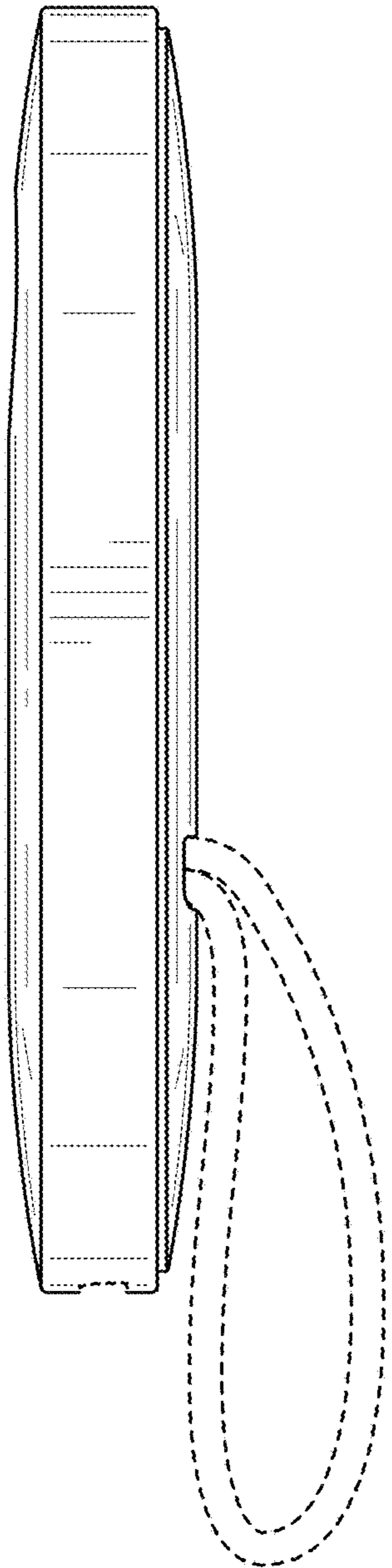


FIG. 4

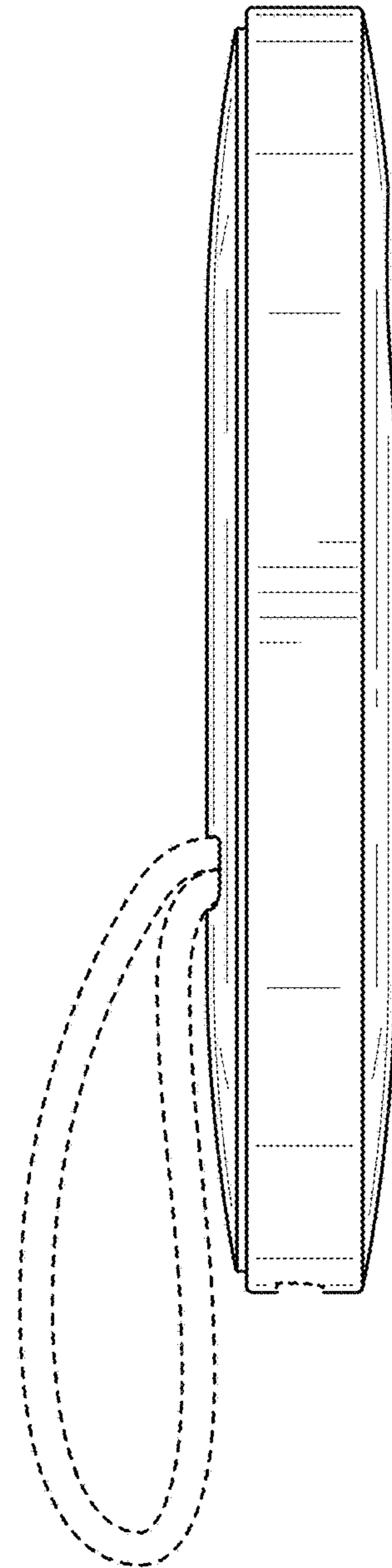


FIG. 5

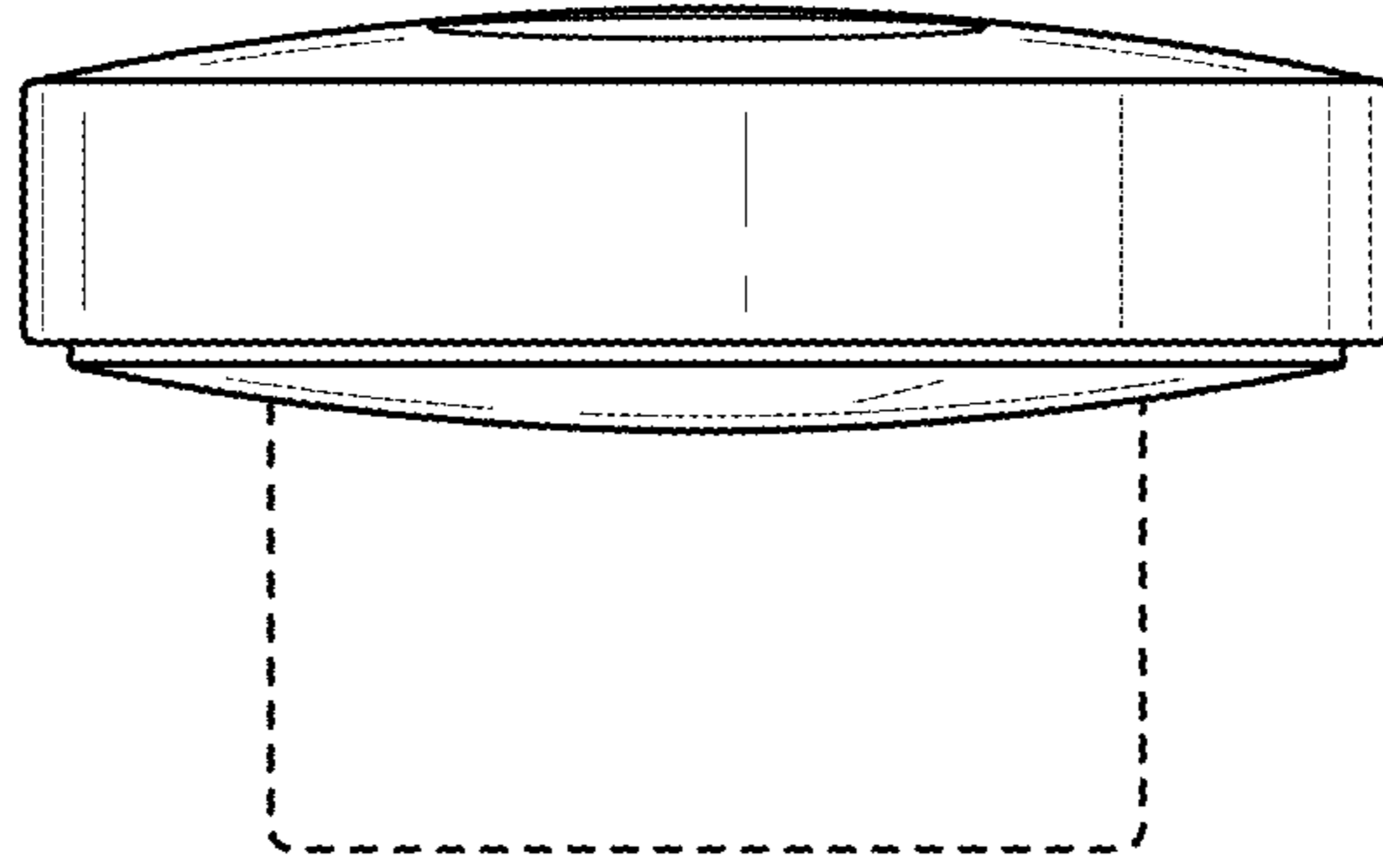


FIG. 6

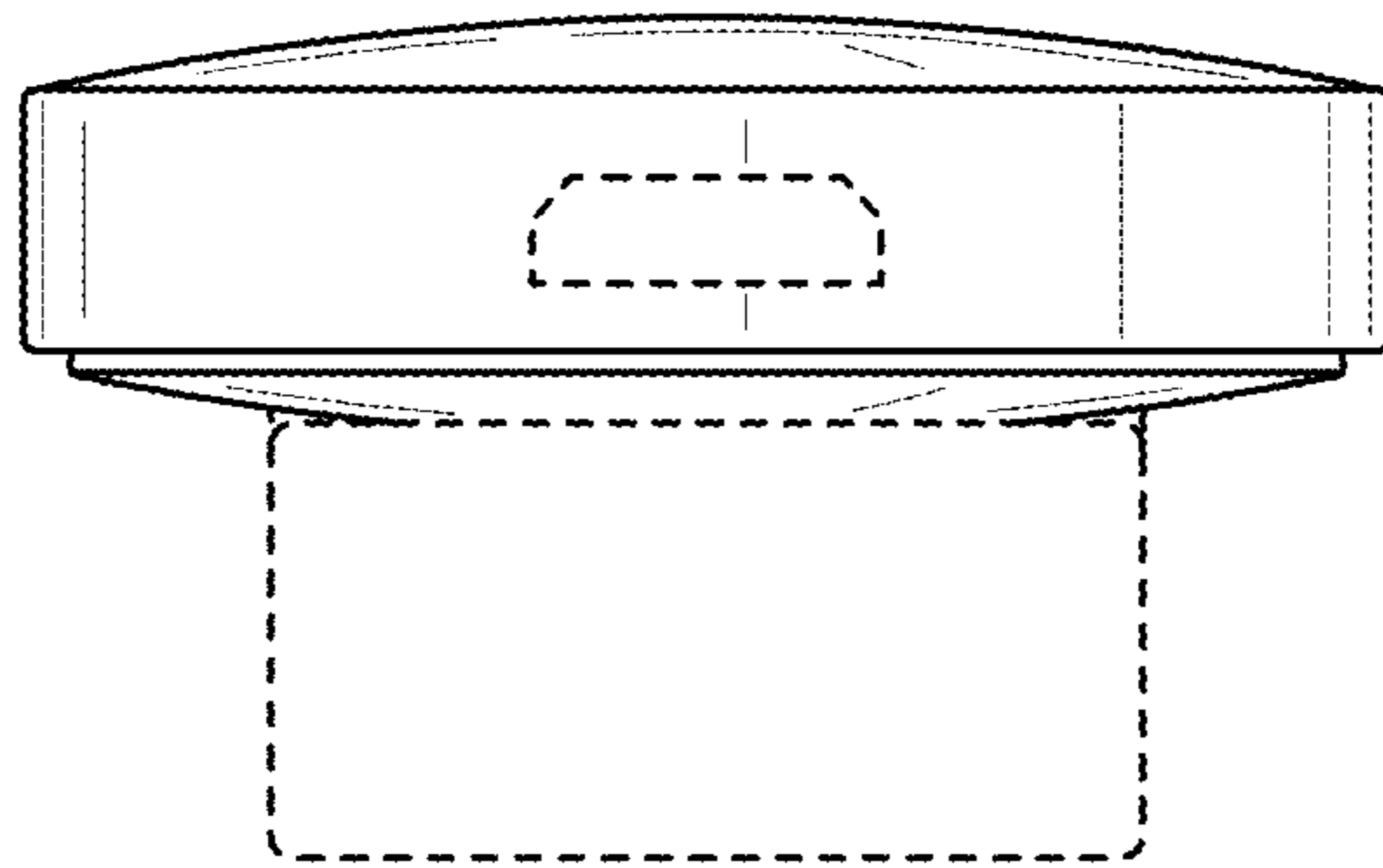


FIG. 7

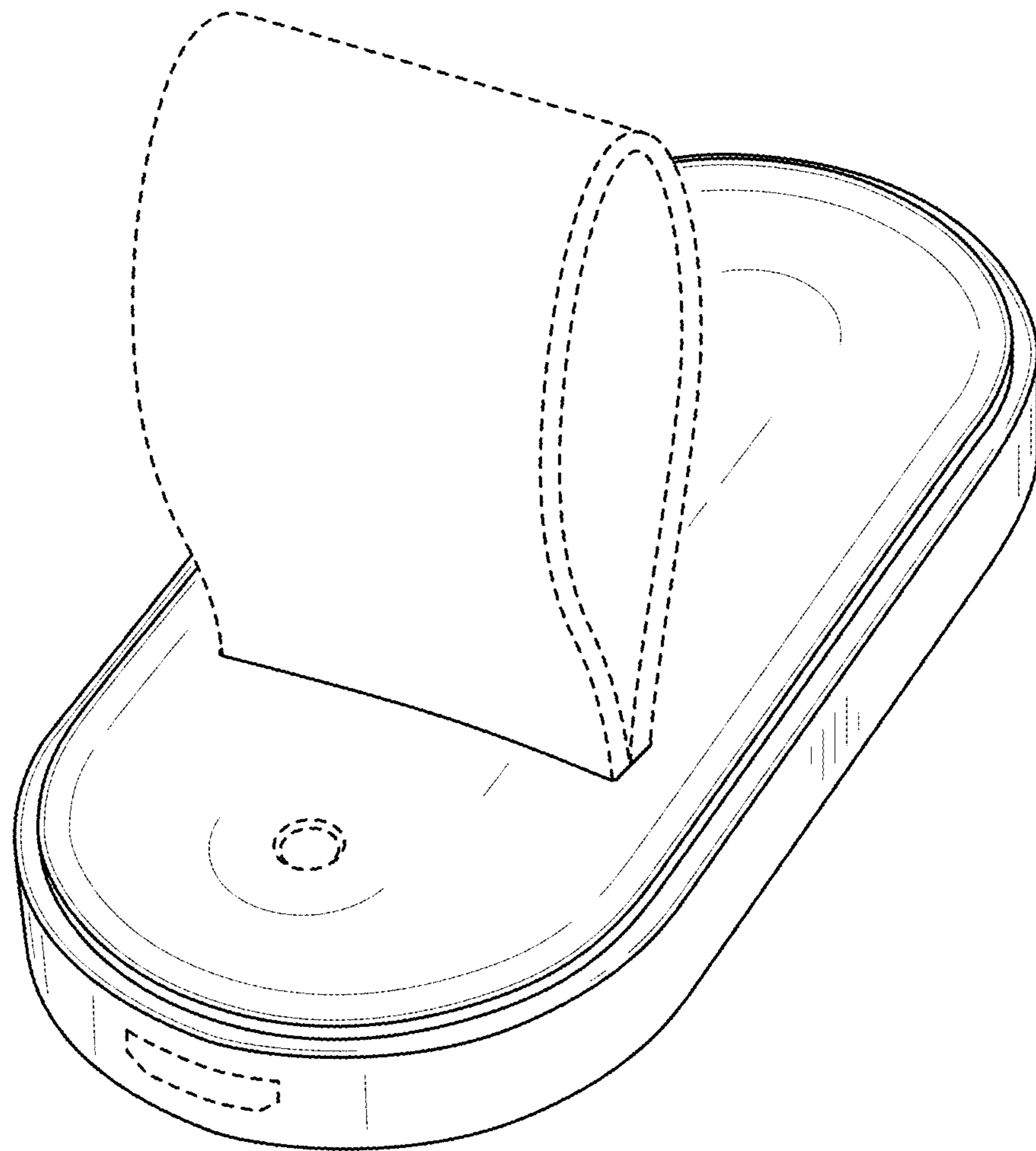


FIG. 8