



US00D789365S

(12) **United States Design Patent**
Jentz et al.

(10) **Patent No.:** **US D789,365 S**
(45) **Date of Patent:** **** Jun. 13, 2017**

(54) **COMPUTER INPUT DEVICE**

(71) Applicant: **Microsoft Corporation**, Redmond, WA (US)

(72) Inventors: **Lorenz Henric Jentz**, Seattle, WA (US); **Young Duk Song**, Kirkland, WA (US); **YeongKyu Yoo**, Bellevue, WA (US); **Nicolas Denhez**, Seattle, WA (US)

(73) Assignee: **Microsoft Corporation**, Redmond, WA (US)

(**) Term: **15 Years**

(21) Appl. No.: **29/556,239**

(22) Filed: **Feb. 29, 2016**

(51) **LOC (10) Cl.** **14-02**

(52) **U.S. Cl.**
USPC **D14/388**; D14/218; D14/454

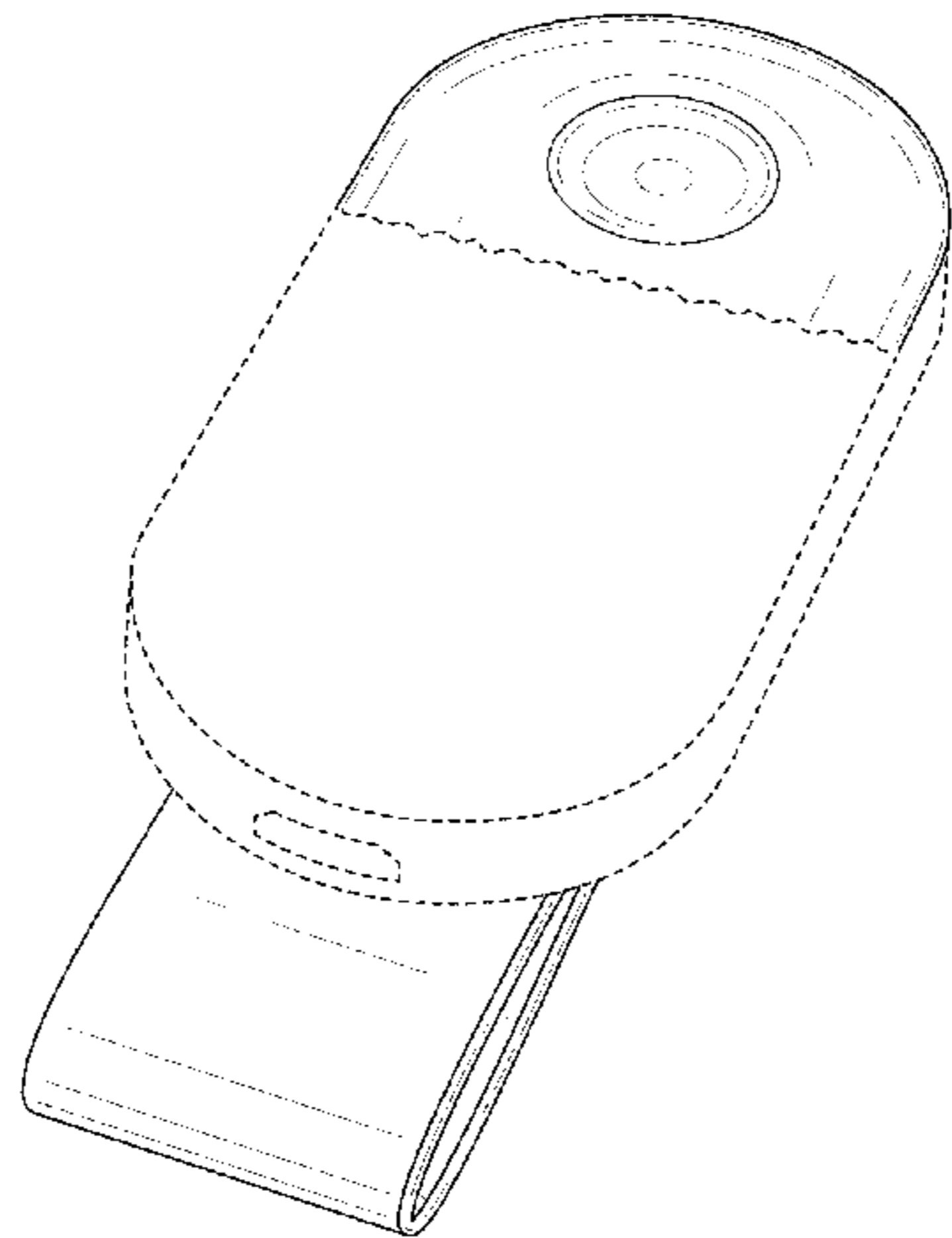
(58) **Field of Classification Search**
USPC D14/356-358, 388, 389, 400, 402, 405, D14/408, 411, 432, 454, 460, 496, 217, D14/218, 299; D21/324-333, 517, 512; D13/123, 162, 162.1, 168, 171-174; D24/184-186; D3/10, 11, 12, 207, 208, D3/210, 212, 215, 218, 318
CPC . G06F 3/00; G06F 3/002; G06F 3/014; G06F 3/0308; G06F 3/0321; G06F 3/033; G06F 3/0338; G06F 3/03543; G06F 3/03545; G06F 3/03547; G06F 3/038; G06F 3/039; G06F 3/041; G06F 3/0414; G06F 3/044; H04N 5/232
See application file for complete search history.

(56) **References Cited**

U.S. PATENT DOCUMENTS

D340,042 S * 10/1993 Copper D14/388
5,280,276 A * 1/1994 Kwok G06F 3/03541
345/163
D349,491 S * 8/1994 Copper D14/388

D389,501 S 1/1998 Mascarenas, Sr. et al.
D410,909 S * 6/1999 Tickle D14/388
D444,489 S 7/2001 Suto et al.
D465,469 S * 11/2002 Heath D10/104.1
D476,975 S 7/2003 Rodriquez, Sr.
D483,281 S * 12/2003 Cobigo D10/104.1
D496,653 S * 9/2004 Townsend D14/240
D500,484 S * 1/2005 Deguchi D14/480.1
D502,929 S 3/2005 Copeland et al.
D504,886 S 5/2005 Yasutomi
D506,199 S * 6/2005 Huang D14/402
D506,463 S 6/2005 Daniels
D515,072 S 2/2006 Lee
D516,576 S 3/2006 Ive et al.
D520,991 S * 5/2006 Ma D14/240
D532,777 S 11/2006 Yu et al.
D534,896 S * 1/2007 Lin D14/188
D535,261 S 1/2007 Daniels
D542,678 S * 5/2007 Miller D10/65
D542,781 S 5/2007 Chen et al.
D546,472 S * 7/2007 Wu D24/215
D546,807 S 7/2007 Lee
D548,728 S * 8/2007 Yoshiyama D14/218
D548,749 S * 8/2007 Schmidt D14/496
D550,267 S 9/2007 Oh et al.
D551,659 S 9/2007 Shih et al.
D561,703 S * 2/2008 Shimokawa D13/168
D562,778 S * 2/2008 Bonnaud D13/168
D567,804 S 4/2008 Yan
D568,827 S 5/2008 Ikeda et al.
D571,305 S * 6/2008 Thursfield D13/168
D576,113 S 9/2008 Kindle et al.
D577,721 S * 9/2008 O'Neil D14/358
D580,914 S 11/2008 Tsao
D582,895 S 12/2008 Frazer
7,471,334 B1 12/2008 Stenger
D584,291 S 1/2009 Tsao
D584,739 S * 1/2009 Ahlgren D14/496
D594,850 S 6/2009 Yan
D596,163 S * 7/2009 Madonna D14/218
D600,228 S * 9/2009 Finney D14/138 AC
D600,732 S 9/2009 Kim
D605,170 S * 12/2009 Keinanen D14/205
D614,605 S 4/2010 Teh et al.
D622,685 S * 8/2010 Garra D14/137
D622,703 S 8/2010 Cheng Teh et al.
D627,815 S 11/2010 Oba
D628,222 S 11/2010 Tzeng et al.
D628,986 S 12/2010 VanDuyn et al.
D630,189 S 1/2011 Daniels et al.
D631,483 S * 1/2011 Nelson D14/484.1
D633,478 S 3/2011 Bolton
D633,507 S * 3/2011 Nelson D14/484.1



D634,734 S	3/2011	Cho	
D638,825 S	5/2011	VanDuyn et al.	
D640,669 S	6/2011	Cho et al.	
D641,388 S	7/2011	Shih et al.	
D641,771 S	7/2011	Sasaki et al.	
D643,056 S	8/2011	Zalianskas et al.	
D645,045 S *	9/2011	Cacioppo	D14/218
D645,848 S	9/2011	Arnholt et al.	
D647,510 S	10/2011	Maier et al.	
D648,285 S	11/2011	Kashimoto	
D648,327 S	11/2011	Maier et al.	
D648,703 S	11/2011	Andre et al.	
D649,532 S *	11/2011	Tran	D14/218
D651,589 S *	1/2012	Fischer	D14/218
D656,488 S	3/2012	Nakayama et al.	
D661,688 S	6/2012	Weitgasser	
D661,689 S	6/2012	Weitgasser	
D661,690 S	6/2012	Weitgasser	
D663,289 S	7/2012	Murchison et al.	
D664,945 S	8/2012	Morris et al.	
D664,946 S	8/2012	Morris et al.	
D667,382 S *	9/2012	Cosentino	D13/168
D669,452 S	10/2012	Akana et al.	
D671,505 S *	11/2012	Clark	D13/168
D673,953 S *	1/2013	Li	D11/27
D675,660 S	2/2013	Su	
D679,680 S *	4/2013	Wood	D14/218
8,475,059 B2	7/2013	Khamsepoor et al.	
D687,815 S	8/2013	Hwangho et al.	
D689,826 S	9/2013	Kato	
D689,862 S *	9/2013	Liu	D14/402
D693,332 S *	11/2013	Lee	D13/168
D694,738 S	12/2013	Yang	
D695,272 S	12/2013	Hansen et al.	
D697,057 S	1/2014	Kwon et al.	
D697,497 S	1/2014	Lai	
D699,223 S	2/2014	Maier et al.	
D701,496 S *	3/2014	Namminga	D13/168
D703,189 S	4/2014	Won et al.	
D703,190 S	4/2014	Zaslavsky et al.	
D706,278 S *	6/2014	Fukuoka	D14/480.5
D713,820 S	9/2014	O'Neil	
D714,761 S	10/2014	O'Neil	
D714,762 S	10/2014	O'Neil	
D721,114 S	1/2015	Nuk et al.	
D726,831 S *	4/2015	Lee	D13/168
D735,195 S *	7/2015	Yakel	D14/218
D740,793 S *	10/2015	Jobetto	D14/225
D743,381 S *	11/2015	Pi	D14/218
D762,215 S *	7/2016	Luttrell	D14/388
D763,830 S *	8/2016	Jones	D14/218
D764,461 S *	8/2016	Romanoff	D14/358
D764,462 S *	8/2016	Romanoff	D14/358
D764,463 S *	8/2016	Dwivedula	D14/358
D765,059 S *	8/2016	Fries	D14/218
D765,609 S *	9/2016	Hasegawa	D13/168
D767,567 S *	9/2016	McWilliam	D14/358
D767,568 S *	9/2016	McWilliam	D14/358
D768,114 S *	10/2016	Hou	D13/168
D768,606 S *	10/2016	Shimonishi	D14/218
D772,821 S *	11/2016	Bristol	D13/168
D775,233 S *	12/2016	Beck	D14/203.6
D776,640 S *	1/2017	Simonian	D14/218
D777,331 S *	1/2017	Jayalath	D14/344
D780,807 S *	3/2017	Chen	D14/203.3
2006/0049579 A1 *	3/2006	Miyamoto	G06F 3/039 273/148 B

2007/0176894 A1 *	8/2007	Abe	H04N 5/4403 345/156
2011/0124383 A1 *	5/2011	Garra	H04M 1/72519 455/575.1
2011/0225536 A1 *	9/2011	Shams	G02B 27/017 715/773

FOREIGN PATENT DOCUMENTS

JP	2002246639 A	8/2002
JP	2002323633 A	11/2002
JP	2003008054 A	1/2003

OTHER PUBLICATIONS

HoloLens Controller and Start Menu Video Leaked. telkomgaming.co.za .(Online) 3 pgs. Posted Feb. 24, 2016. [retrieved on Mar. 14, 2017] <http://telkomgaming.co.za/hololens-controller-and-start-menu-video-leaked/>.*

Microsoft Wireless Controller. (Design-© Questel). orbit.com. [online PDF] 50 pgs. Print Date Feb. 10, 2017. [retrieved on Mar. 14, 2017] <https://sobjprd.questel.fr/export/QPTUJ214/pdf2/1b4dd9f9-1a4e-4d4f-9592-f757a11a123b-203947.pdf>.*

U.S. Appl. No. 29/556,243, filed Feb. 29, 2016, Lorenz Henric Jentz.

U.S. Appl. No. 29/556,245, filed Feb. 29, 2016, Lorenz Henric Jentz.

U.S. Appl. No. 29/556,223, filed Feb. 29, 2016, Lorenz Henric Jentz.

U.S. Appl. No. 29/556,229, filed Feb. 29, 2016, Lorenz Henric Jentz.

* cited by examiner

Primary Examiner — Susan Bennett Hattan
Assistant Examiner — Marie Fast Horse
 (74) *Attorney, Agent, or Firm* — Banner & Witcoff, Ltd.

(57) **CLAIM**

The ornamental design for a computer input device, as shown and described.

DESCRIPTION

FIG. 1 is a top perspective view of a computer input device showing our new design;
 FIG. 2 is a top view thereof;
 FIG. 3 is a bottom view thereof;
 FIG. 4 is a right side view thereof;
 FIG. 5 is a left side view thereof;
 FIG. 6 is a front view thereof;
 FIG. 7 is a rear view thereof; and,
 FIG. 8 is bottom perspective view thereof, showing the strap in an alternate position for use.
 The broken lines in the drawings depict parts of the computer input device that form no part of the claimed design. The broken lines and unshaded surfaces shown in the drawings are not claimed.

1 Claim, 6 Drawing Sheets

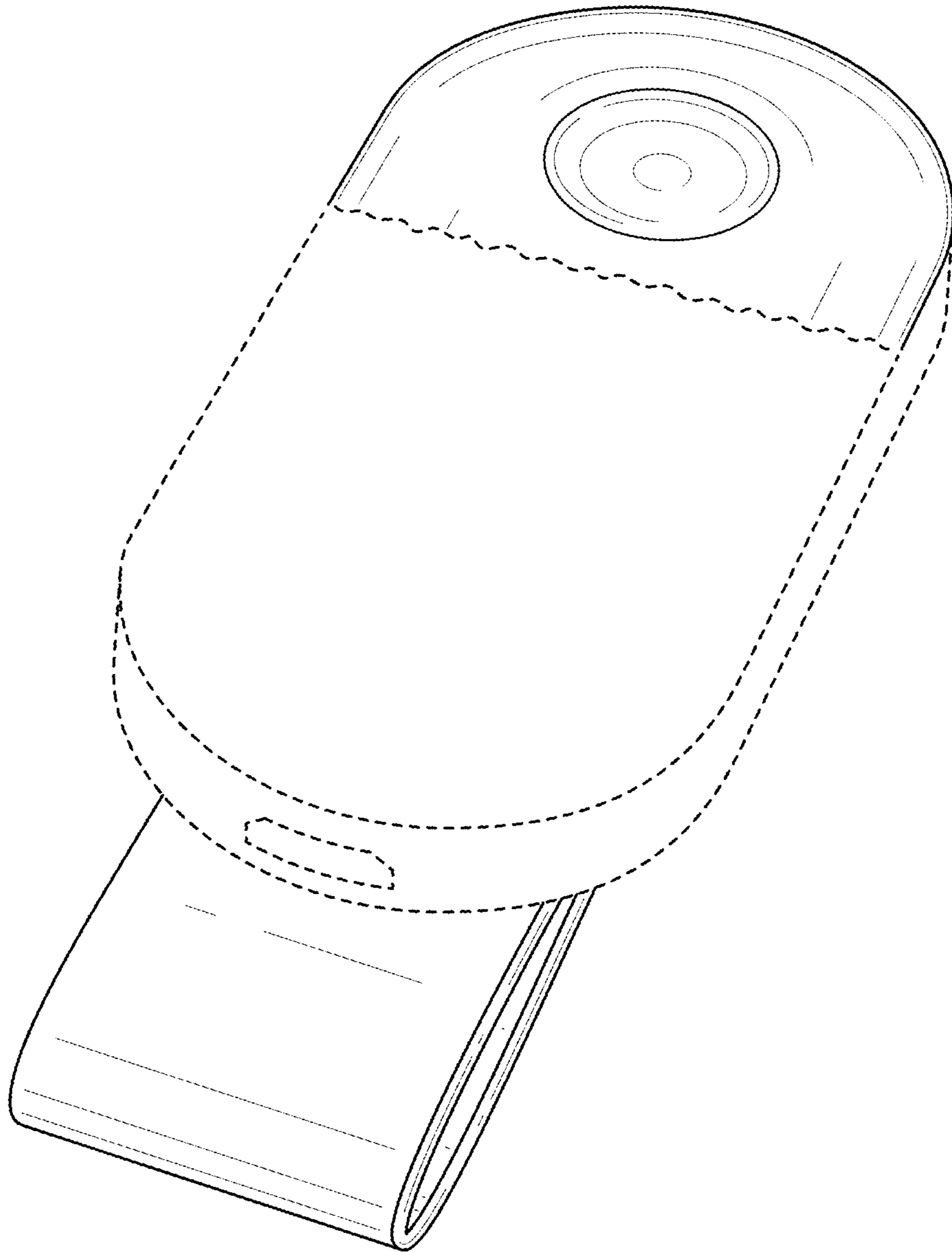


FIG. 1

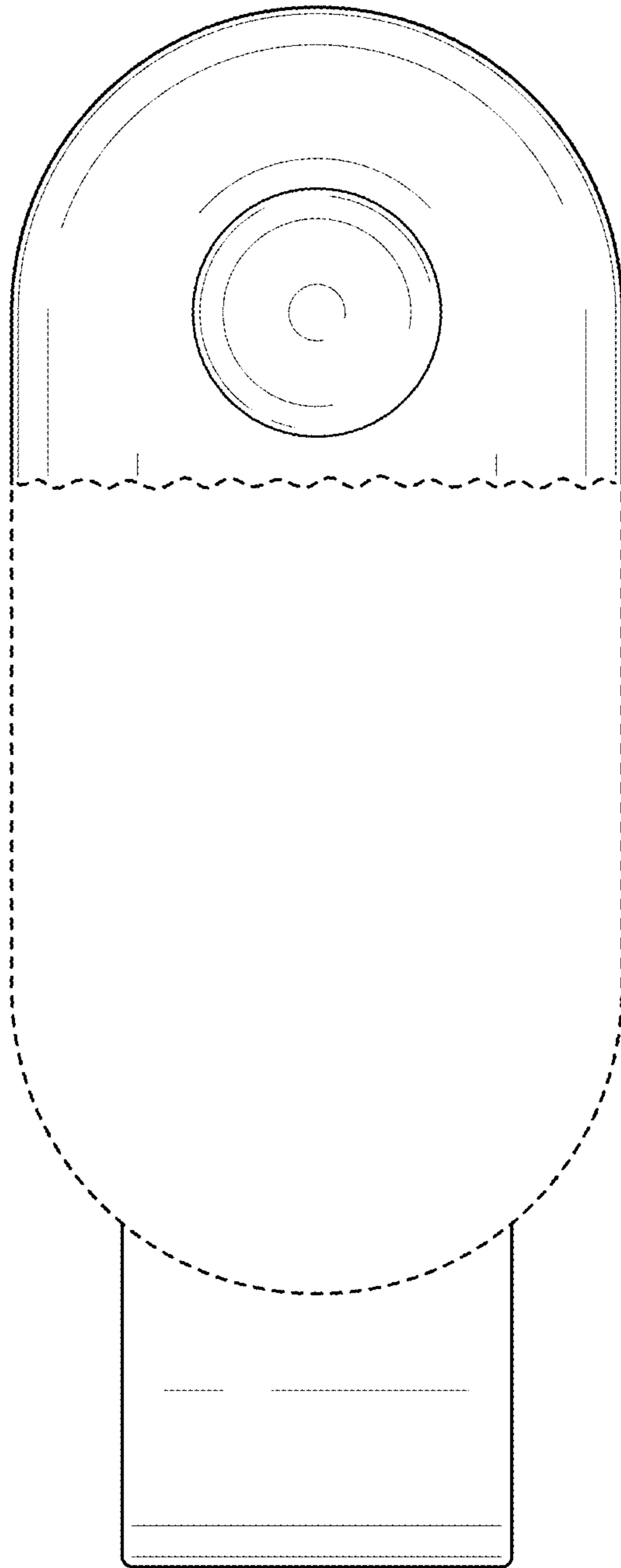


FIG. 2

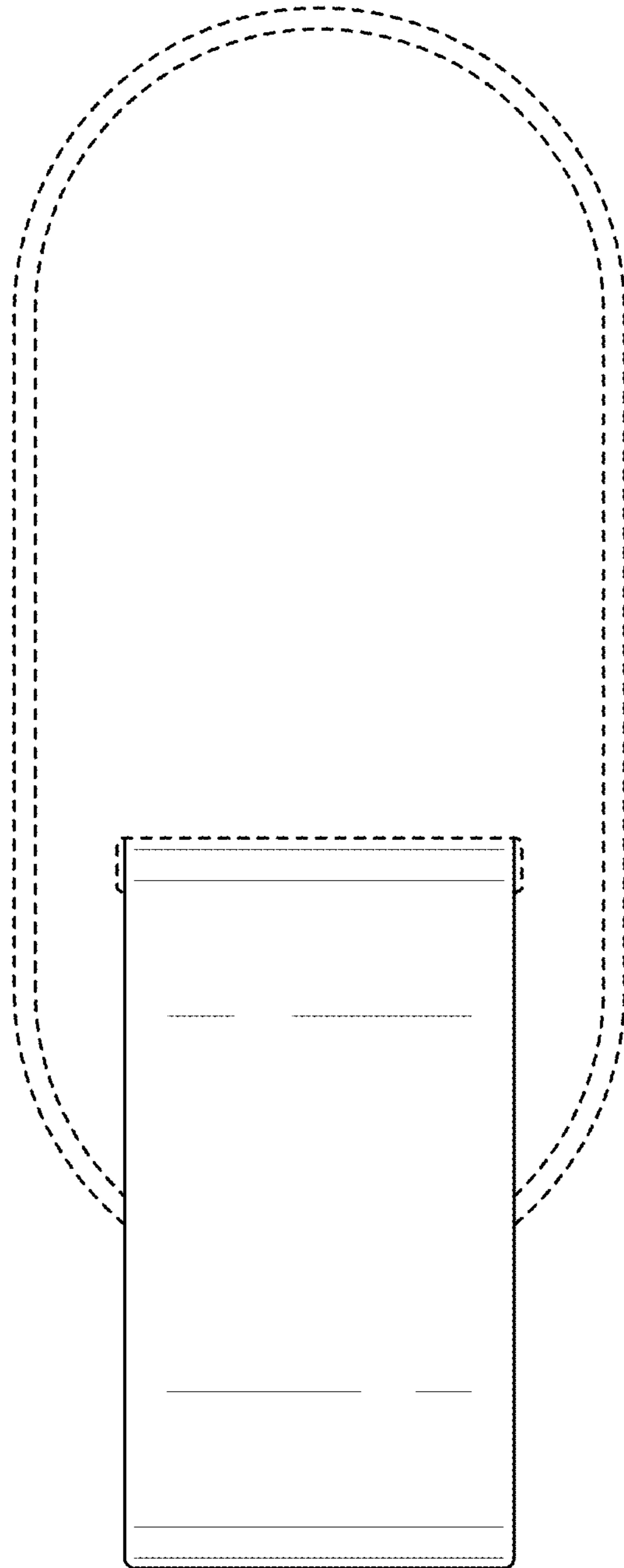


FIG. 3

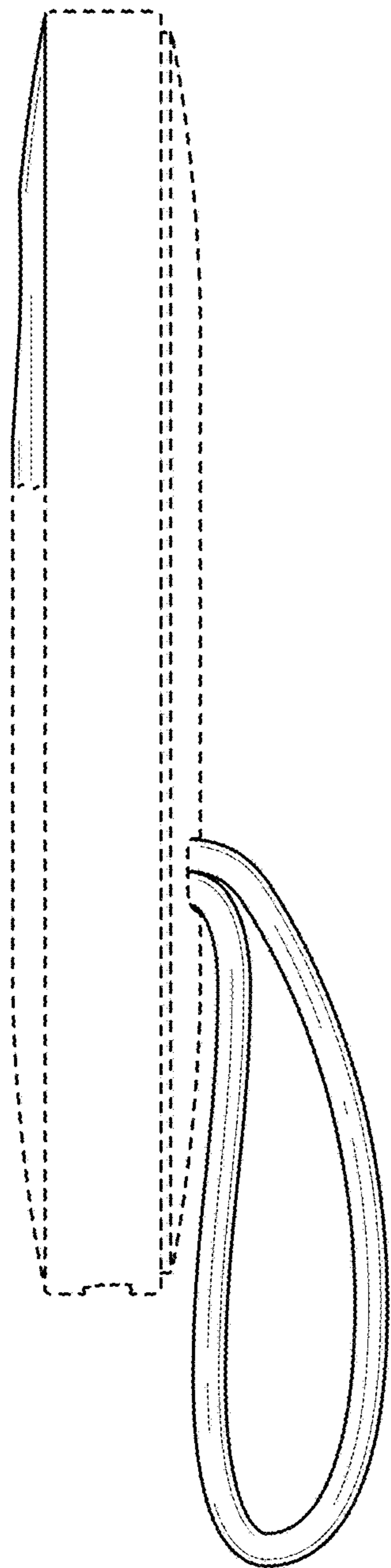


FIG. 4

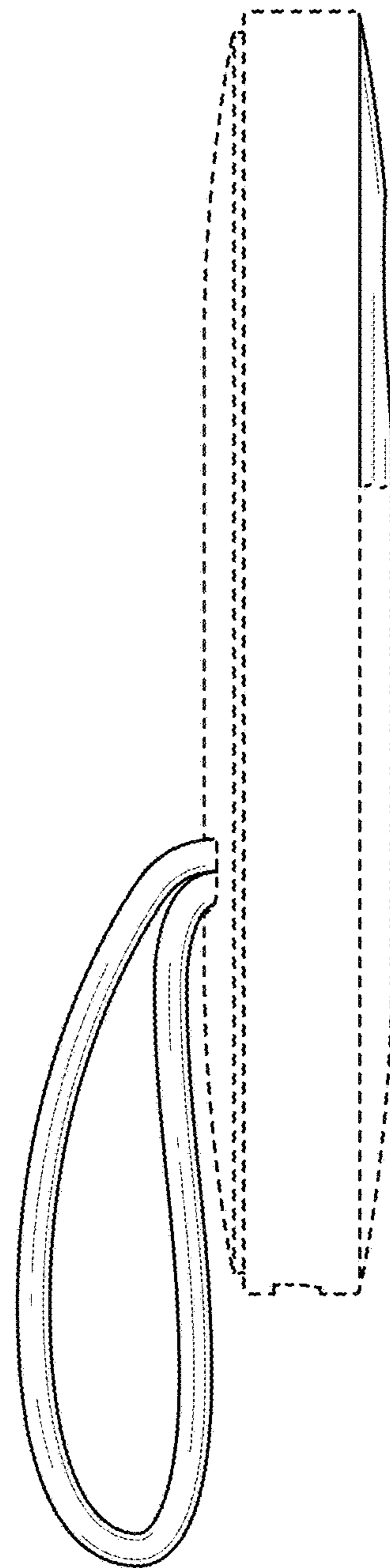


FIG. 5

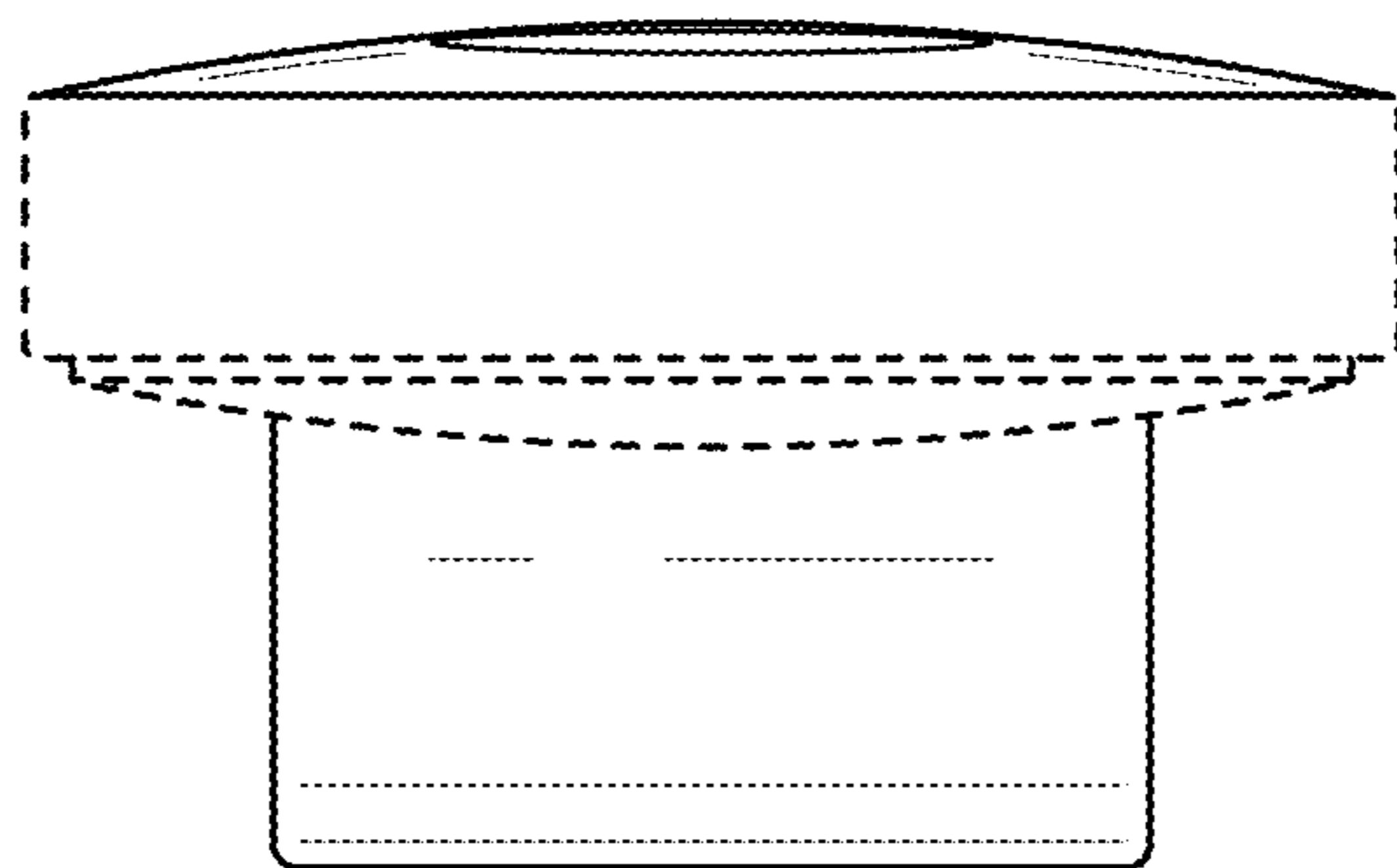


FIG. 6

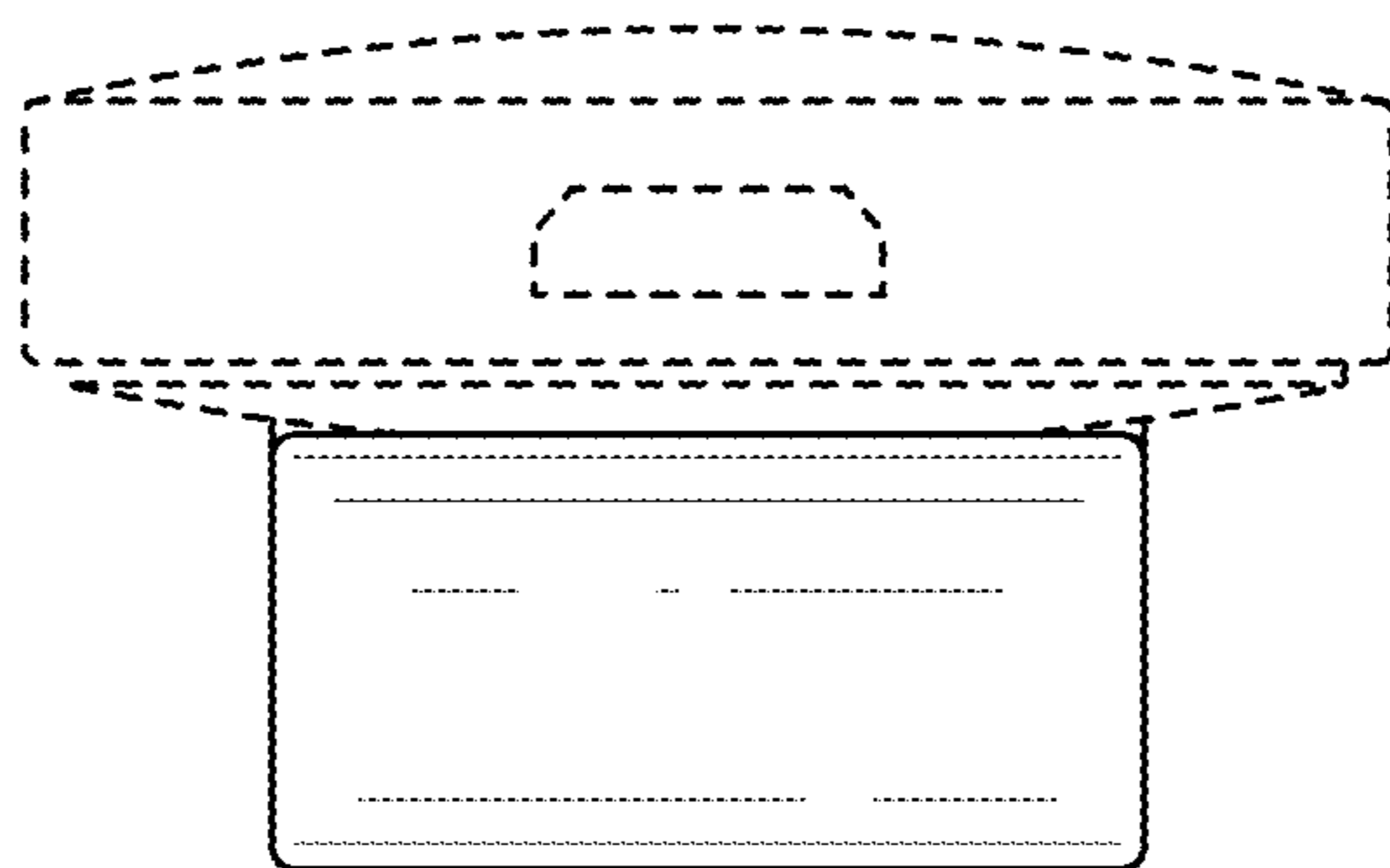


FIG. 7

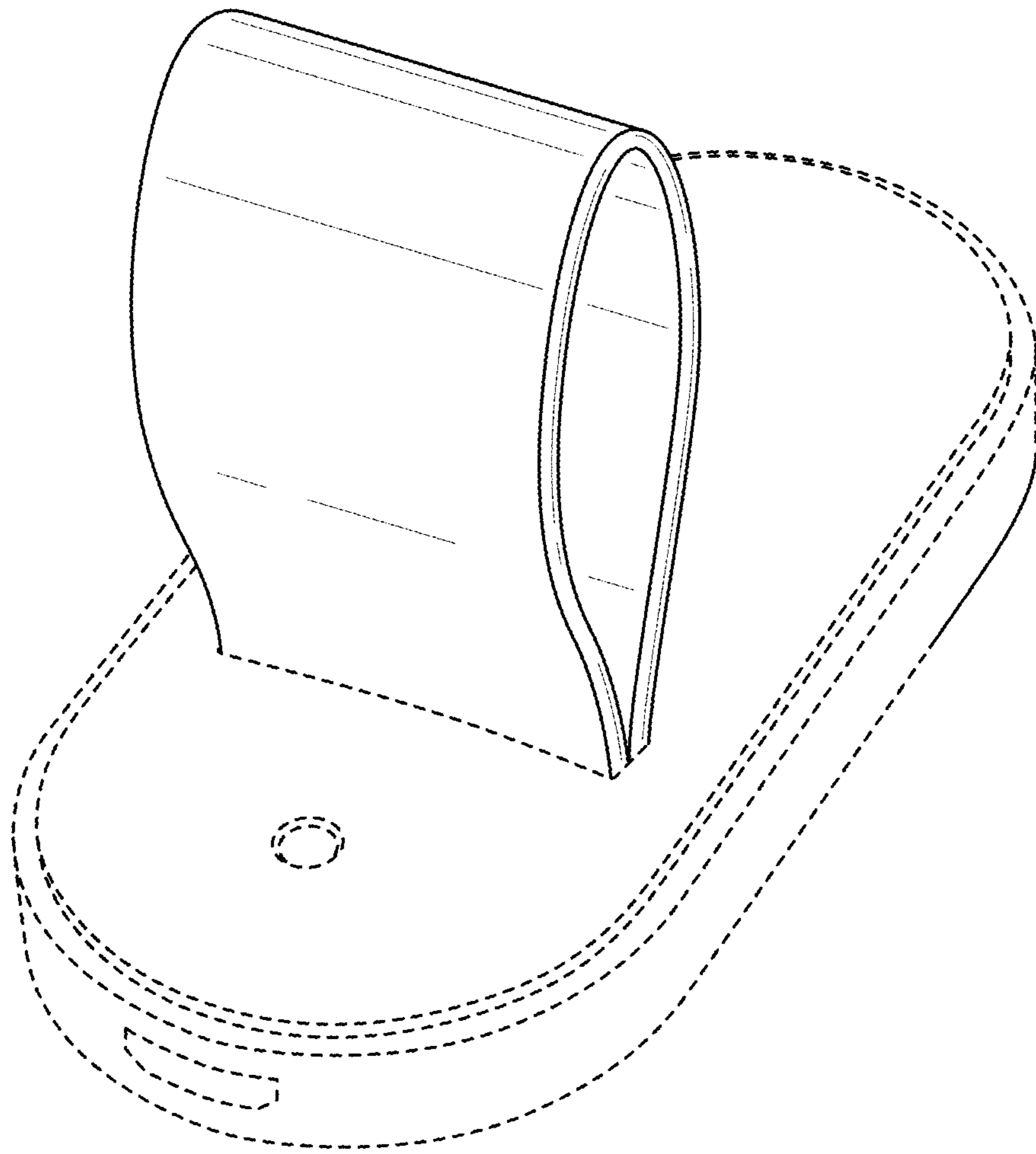


FIG. 8