



US00D789362S

(12) **United States Design Patent**  
**Eljas**

(10) **Patent No.:** **US D789,362 S**  
(45) **Date of Patent:** **\*\* Jun. 13, 2017**

(54) **COMPUTER TERMINAL**

(71) Applicant: **FORTE GROUP OÜ**, Tallinn (EE)

(72) Inventor: **Andres Eljas**, Tallinn (EE)

(\*\*) Term: **15 Years**

(21) Appl. No.: **35/500,799**

(22) Filed: **Mar. 21, 2016**

(80) **Hague Agreement Data**

Int. Filing Date: **Mar. 21, 2016**

Int. Reg. No.: **DM/089930**

Int. Reg. Date: **Mar. 21, 2016**

Int. Reg. Pub. Date: **Apr. 8, 2016**

(51) **LOC (10) Cl.** ..... **14-03**

(52) **U.S. Cl.**  
USPC ..... **D14/366**

(58) **Field of Classification Search**  
USPC ..... D14/129, 217, 251, 302-307, 335, 336,  
D14/371, 374-382, 486, 900-902;  
D13/163; D18/4.1-4.6; D21/329, 332,  
D21/325, 369, 370; 361/679.1, 679.02,  
361/679.04, 679.21, 679.57, 724;  
194/206; 235/379; 271/164; 705/43;  
D20/10, 19  
CPC . G06F 1/16; G06F 1/169; G06F 1/181; G06F  
1/183; G06F 1/1601; G06F 1/1616; G06F  
1/1626; G06F 1/1632; G06F 1/1656;  
G06F 3/0202; G06F 3/03574; H01L  
2924/00; H01L 2924/48227; H01L  
2924/43265

See application file for complete search history.

(56) **References Cited**

**U.S. PATENT DOCUMENTS**

D284,005 S \* 5/1986 Isaacs ..... D14/251  
D355,897 S \* 2/1995 Nakanishi ..... D14/373

D449,601 S \* 10/2001 Baldwin ..... D14/336  
D468,735 S \* 1/2003 Landerholm ..... D14/336  
D549,675 S \* 8/2007 Yoon ..... D14/126  
D673,952 S \* 1/2013 Toda ..... D14/383  
D690,138 S \* 9/2013 Kikkert ..... D6/672  
D691,096 S \* 10/2013 Beroukas ..... D13/162  
D697,910 S \* 1/2014 Bianco ..... D14/336  
D710,715 S \* 8/2014 Bianco ..... D10/24  
D720,393 S \* 12/2014 Held ..... D18/4.4  
D724,597 S \* 3/2015 Akana ..... D14/447  
D725,285 S \* 3/2015 Wohlstadter ..... D14/336  
D741,298 S \* 10/2015 Lintz ..... D14/217  
D743,561 S \* 11/2015 Maisch ..... D24/186  
D745,512 S \* 12/2015 Lee ..... D14/336  
D748,515 S \* 2/2016 Matsuyama ..... D10/108  
D752,460 S \* 3/2016 Gnauck ..... D10/78  
D753,312 S \* 4/2016 Long ..... D24/186  
D756,913 S \* 5/2016 Esses ..... D13/107  
2010/0079935 A1 \* 4/2010 Murakata ..... H01M 2/1066  
361/679.01

\* cited by examiner

*Primary Examiner* — Keli L Hill

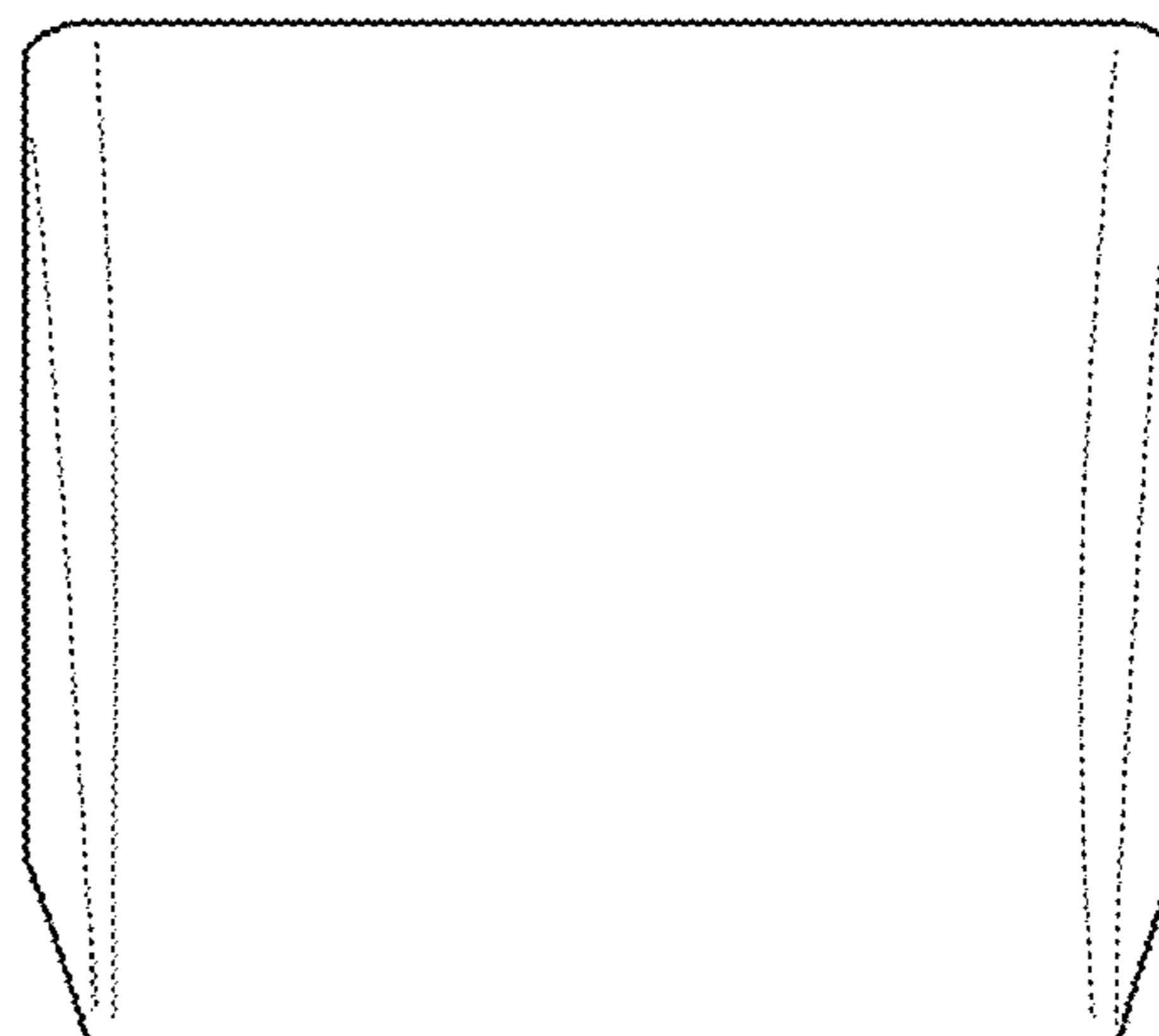
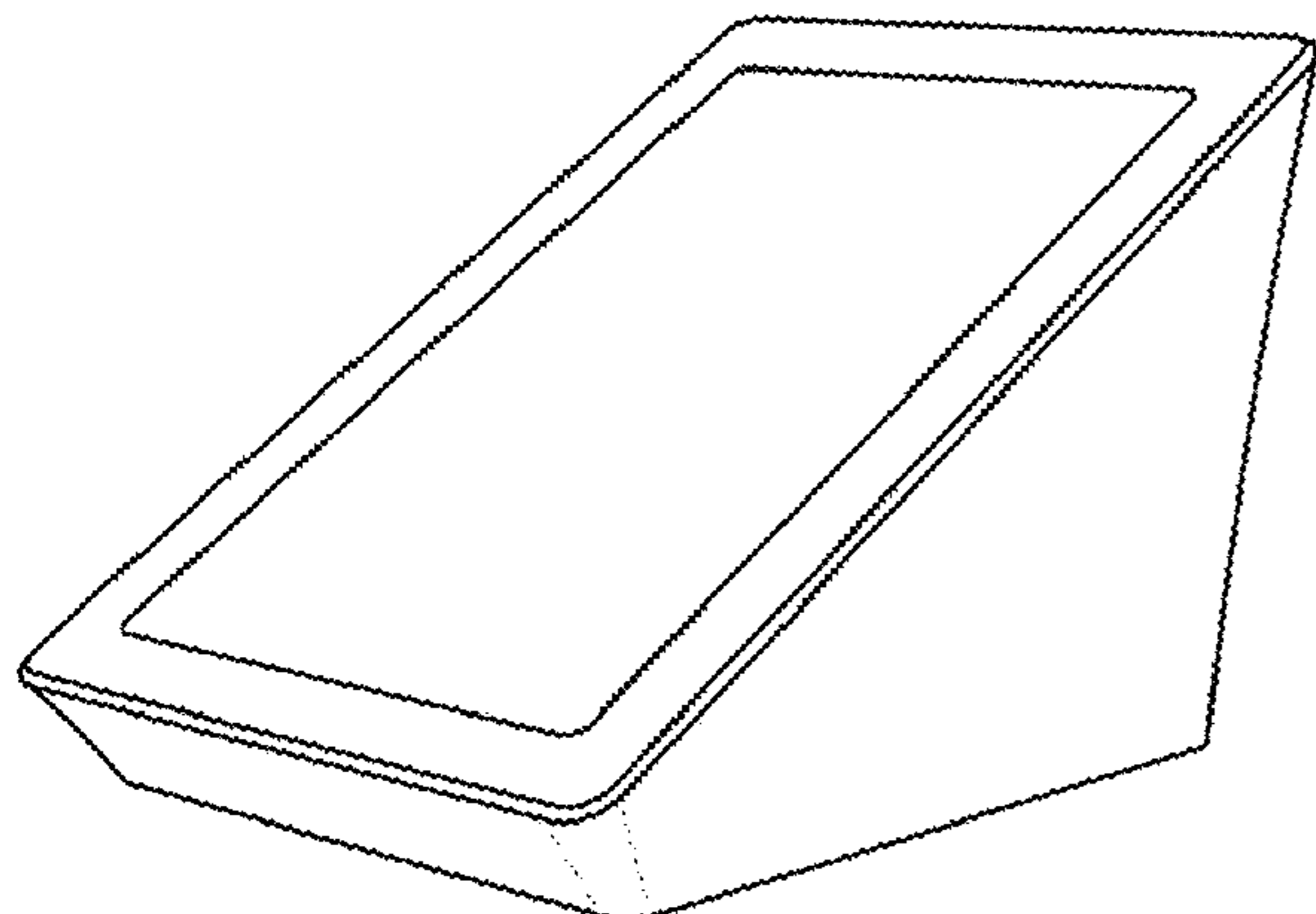
(57) **CLAIM**

The ornamental design for a computer terminal, as shown and described.

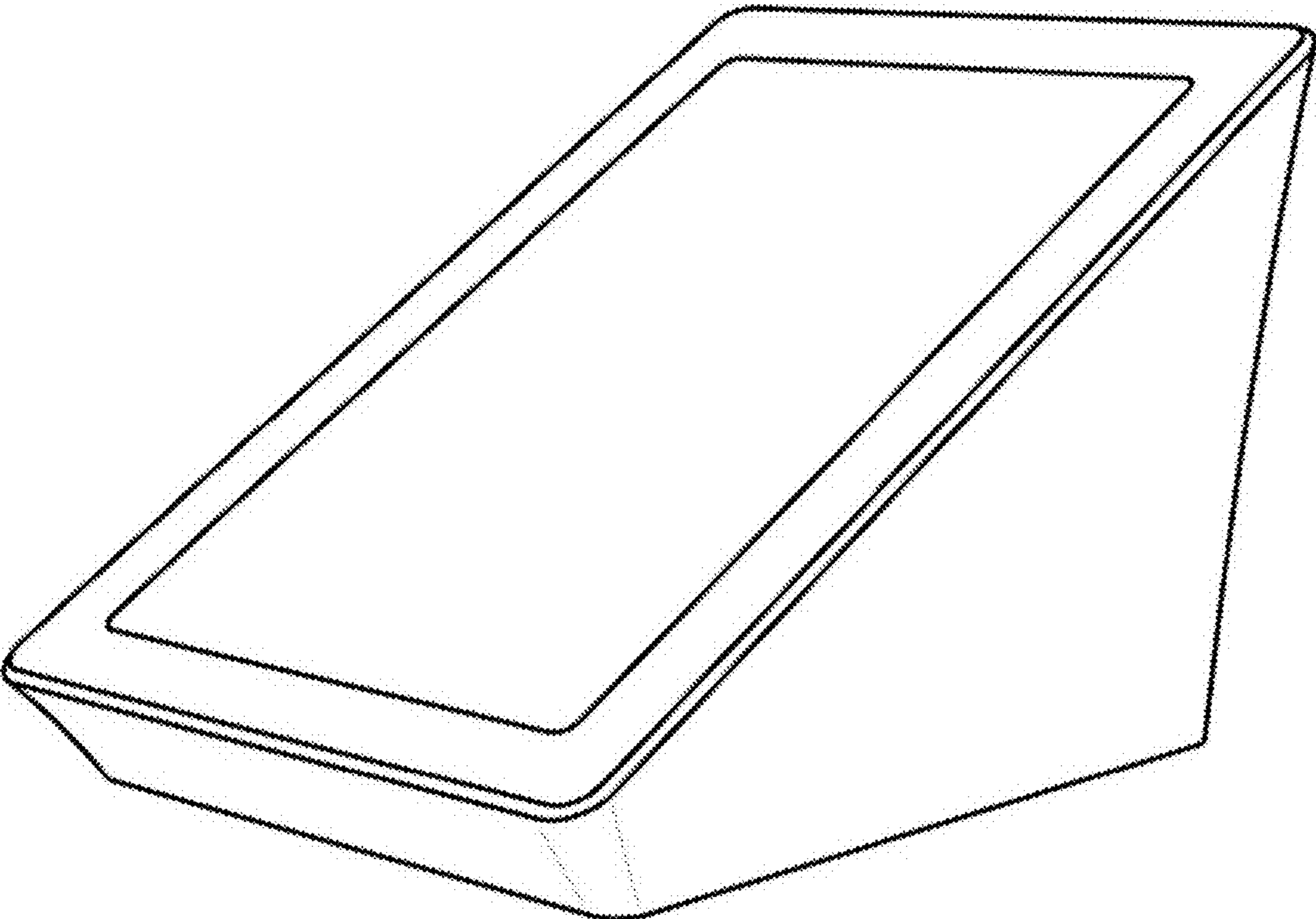
**DESCRIPTION**

- 1. Computer terminal
- 1.1 : Perspective
- 1.2 : Top
- 1.3 : Bottom
- 1.4 : Back
- 1.5 : Front
- 1.6 : Left
- 1.7 : Right

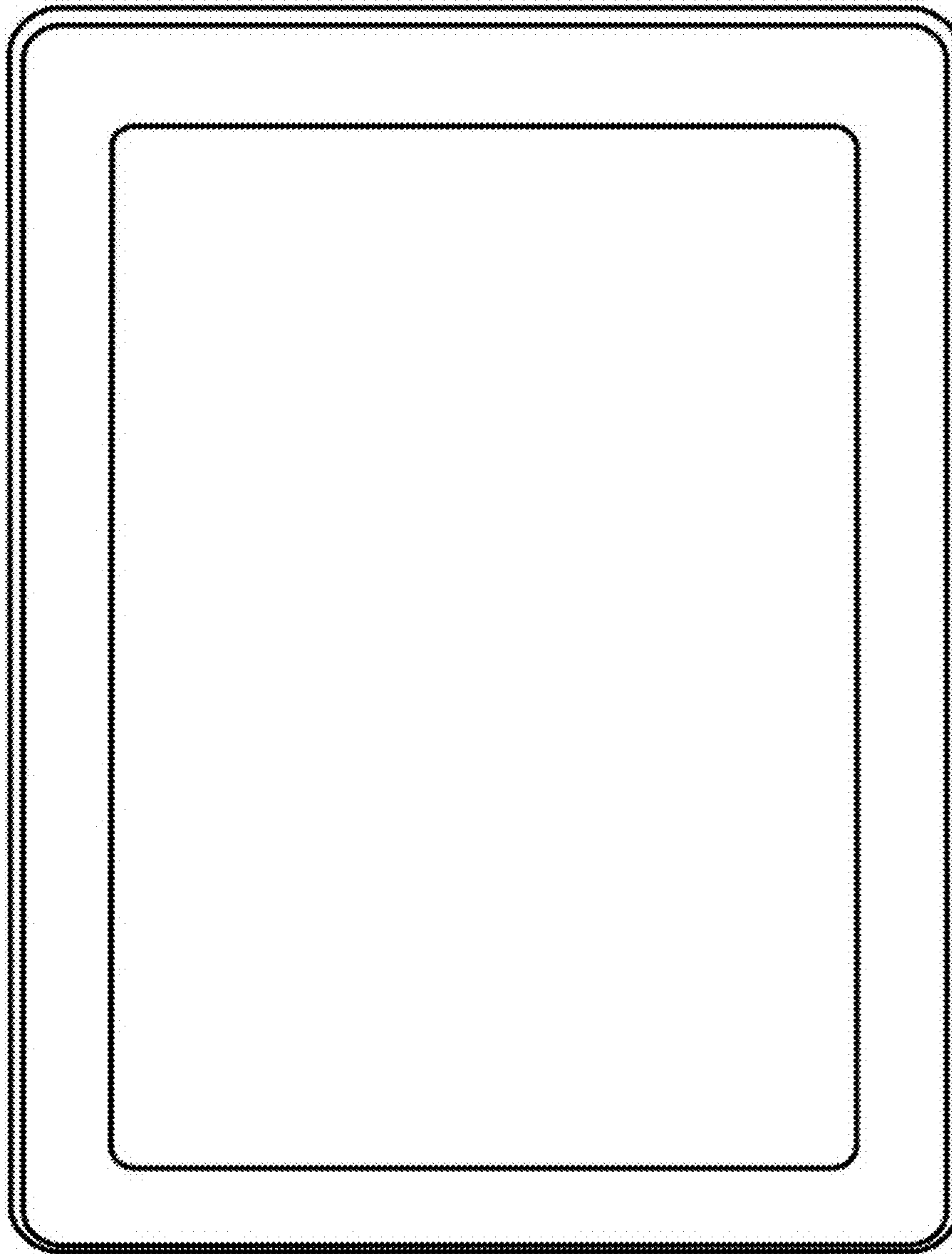
**1 Claim, 7 Drawing Sheets**



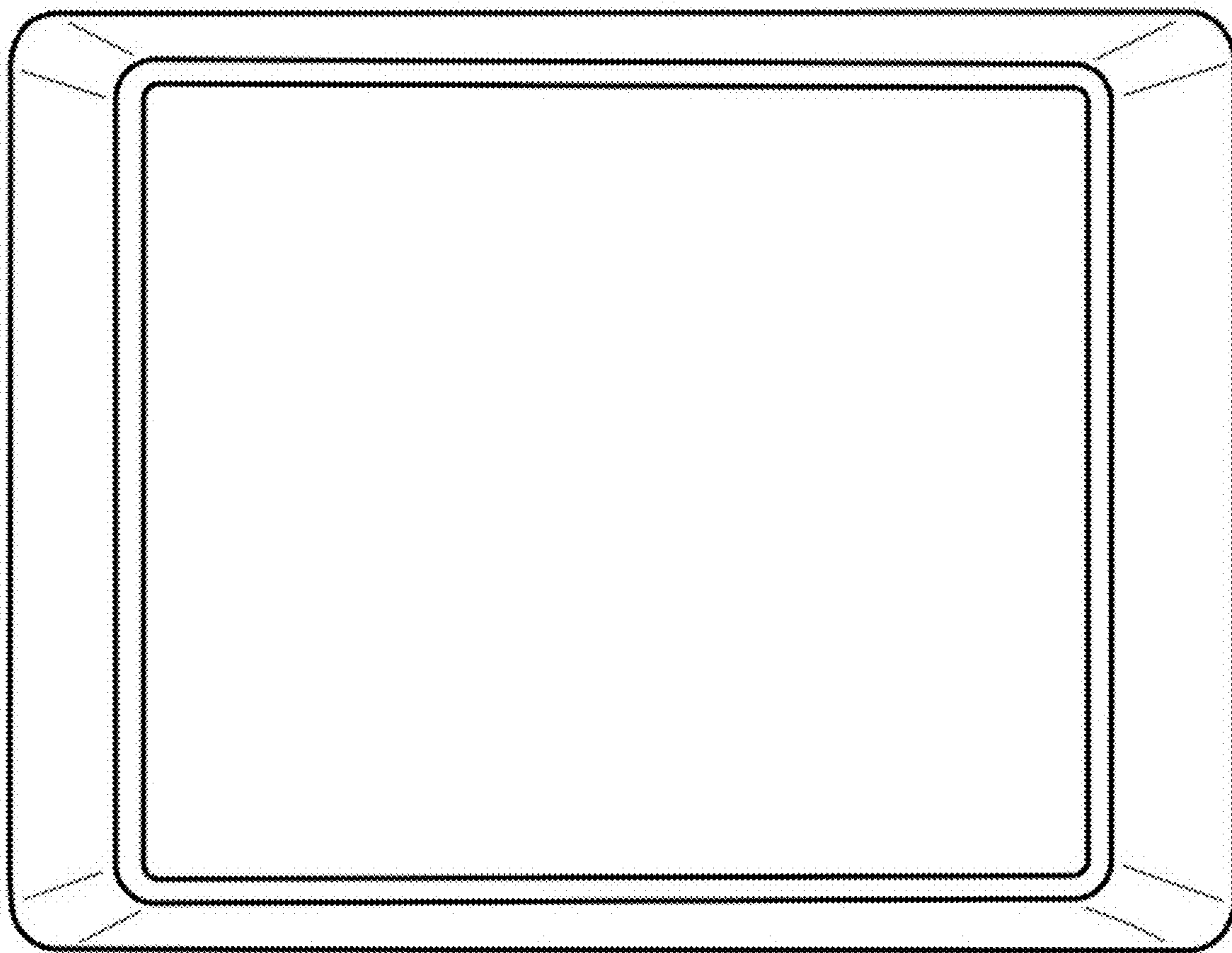
1.1



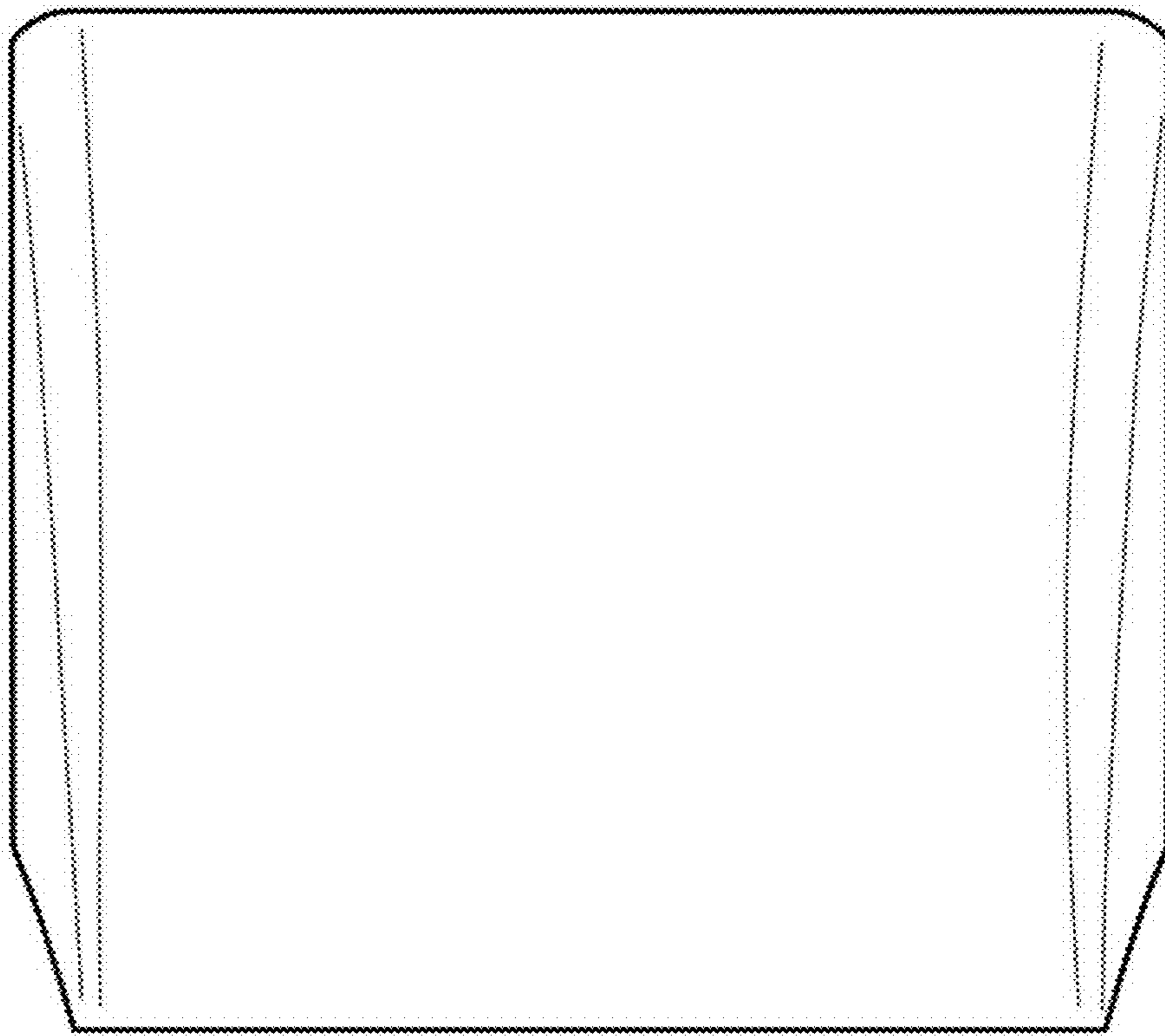
1.2



1.3

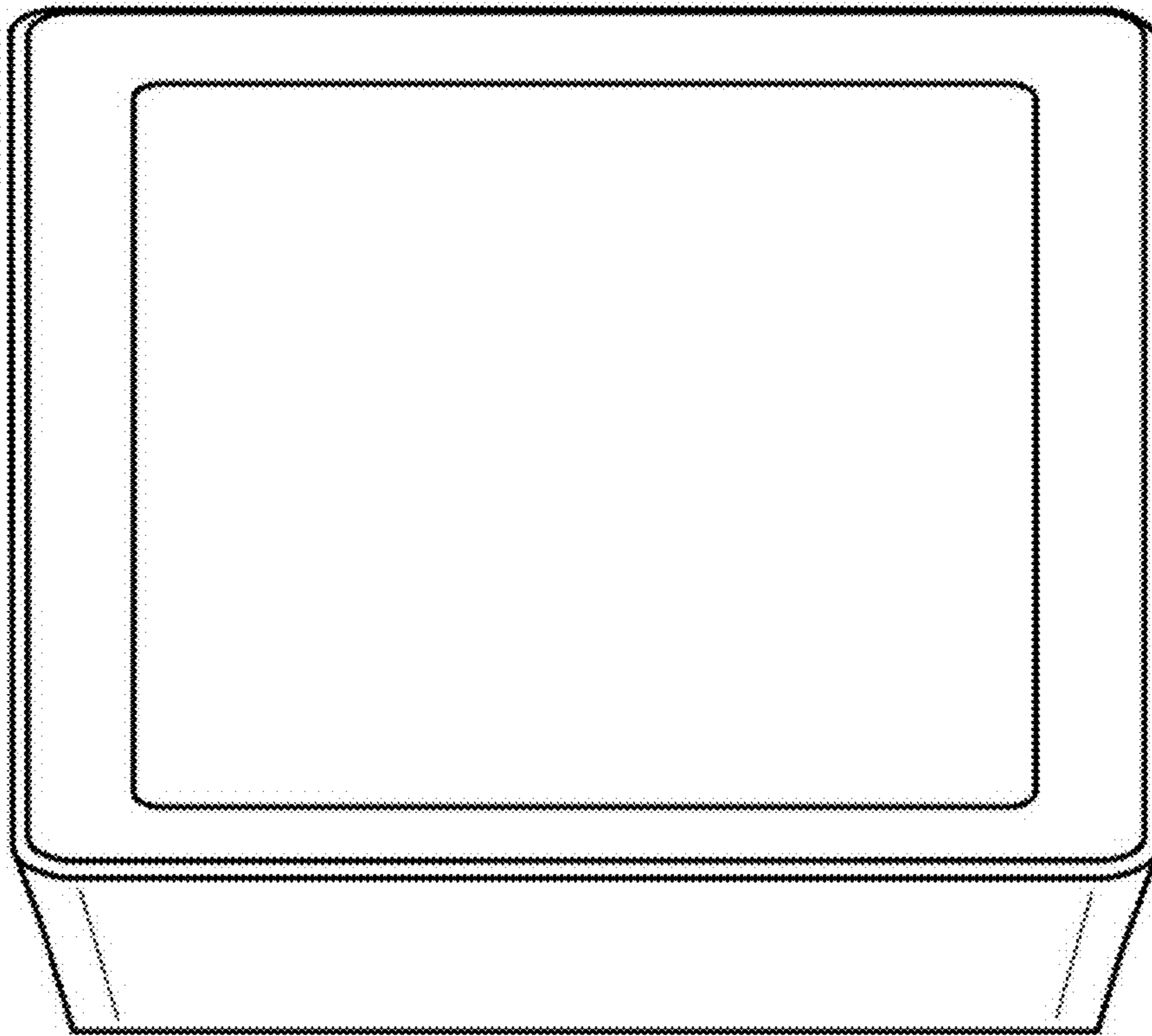


1.4

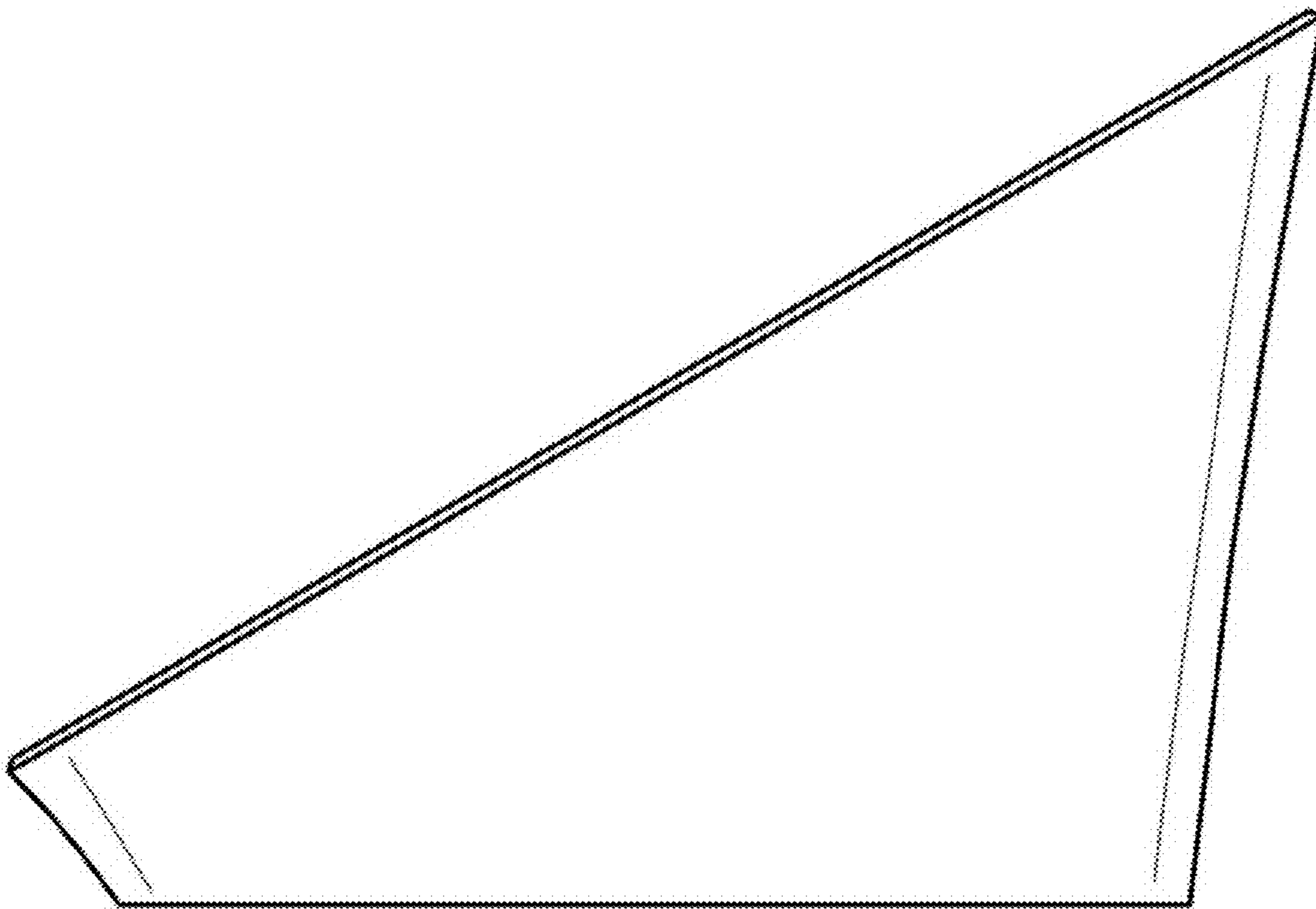




1.5



1.6



1.7

