



US00D789360S

(12) **United States Design Patent**
Moon et al.

(10) **Patent No.:** **US D789,360 S**

(45) **Date of Patent:** **** Jun. 13, 2017**

(54) **WIRELESS REPEATER**

(71) Applicant: **Samsung Electronics Co., Ltd.**,
Suwon-si (KR)

(72) Inventors: **Ji-Hyun Moon**, Gwangmyeong-Si
(KR); **Eun-Ae Lee**, Seoul (KR);
Moon-Jung Jang, Gunpo-si (KR)

(73) Assignee: **Samsung Electronics Co., Ltd.**,
Suwon-si (KR)

(**) Term: **15 Years**

(21) Appl. No.: **29/548,844**

(22) Filed: **Dec. 17, 2015**

(30) **Foreign Application Priority Data**

Sep. 2, 2015 (KR) 30-2015-0044341

(51) **LOC (10) Cl.** **14-02**

(52) **U.S. Cl.**
USPC **D14/358; D14/240**

(58) **Field of Classification Search**
USPC D14/125, 138 C, 138 R, 140.1, 155, 159,
D14/167, 230, 231, 232, 233, 234, 235,
D14/236, 237, 238, 240, 242, 243, 299,
D14/348, 349, 351, 353, 354, 355, 356,
D14/357, 358, 367, 385, 433, 435, 436,
D14/474, 480, 496; D13/123, 184;
D10/75, 104.1

See application file for complete search history.

(56) **References Cited**

U.S. PATENT DOCUMENTS

D597,543 S * 8/2009 Urban D14/356
D641,740 S * 7/2011 Jeon D14/140.6

D645,443 S * 9/2011 Maruyama D14/140.1
D651,993 S * 1/2012 Cheng D14/125
D687,817 S * 8/2013 Petersen D14/240
D704,176 S * 5/2014 Kwak D14/240
D729,216 S * 5/2015 Peng D14/240
D730,880 S * 6/2015 Nagata D14/240
D736,193 S * 8/2015 Kwak D14/240
D740,262 S * 10/2015 Hasegawa D14/240
D742,864 S * 11/2015 Kurosawa D14/240
D759,639 S * 6/2016 Moon D14/242

* cited by examiner

Primary Examiner — Robert M Spear

Assistant Examiner — John Voytek

(74) *Attorney, Agent, or Firm* — NSIP Law

(57) **CLAIM**

We claim the ornamental design for a wireless repeater, as shown and described.

DESCRIPTION

FIG. 1 is a front perspective view of a wireless repeater showing our new design;
FIG. 2 is a front view thereof;
FIG. 3 is a rear view thereof;
FIG. 4 is a left-side view thereof;
FIG. 5 is a right-side view thereof;
FIG. 6 is a top view thereof;
FIG. 7 is a bottom view thereof; and,
FIG. 8 is a rear perspective view thereof.
The broken lines in the figures show portions of the wireless repeater which form no part of the claimed design.

1 Claim, 6 Drawing Sheets

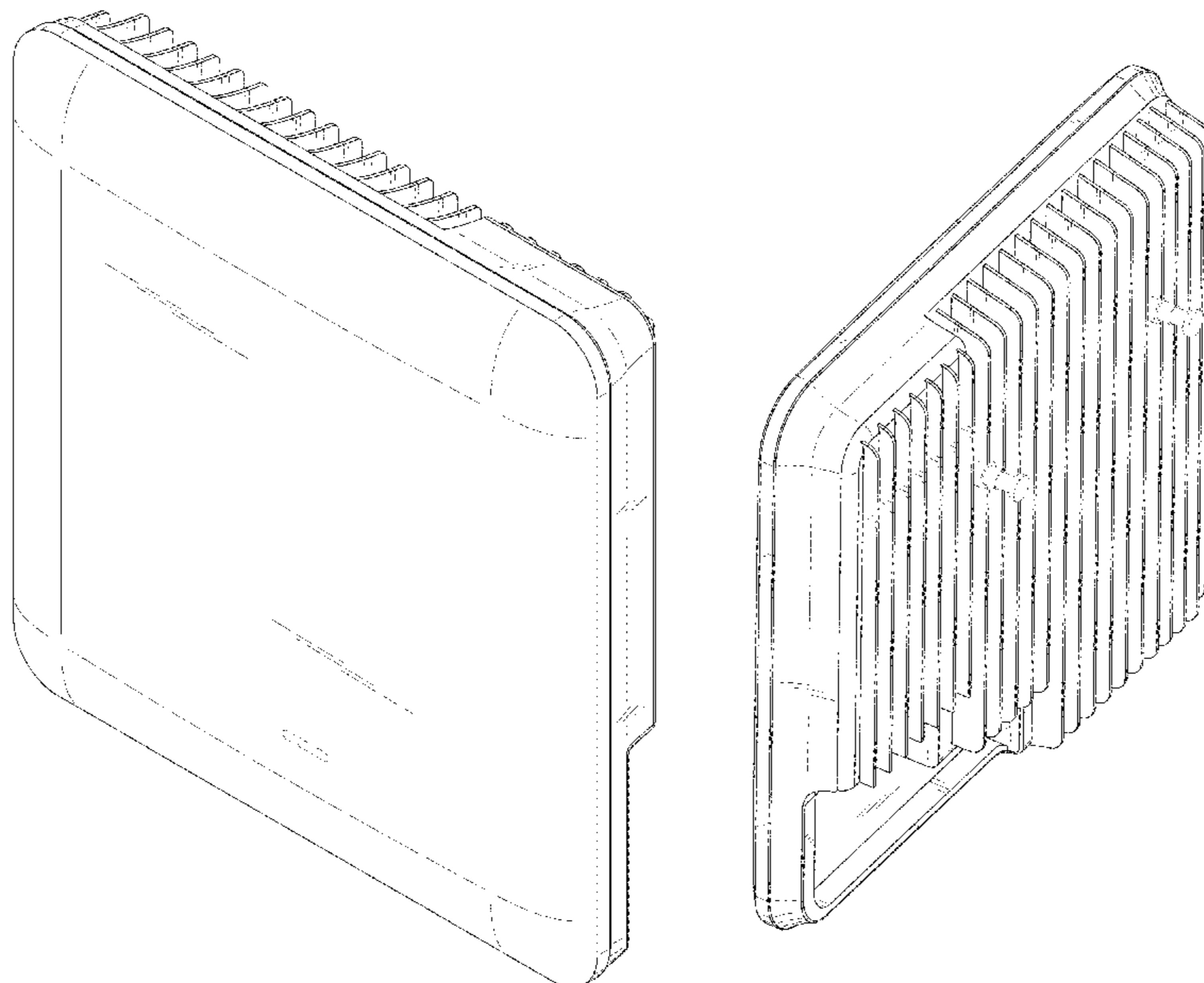


FIG. 1

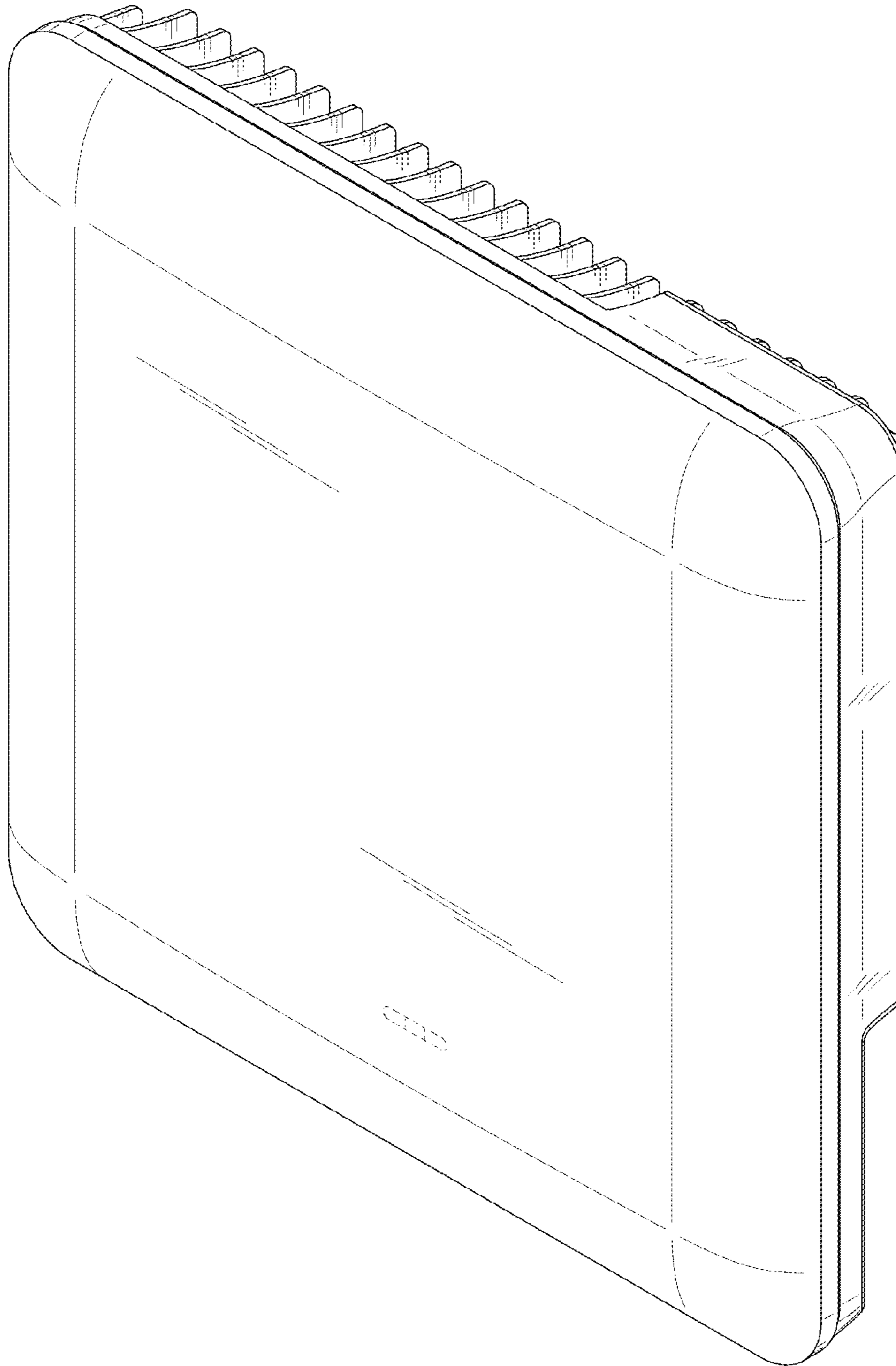


FIG. 2

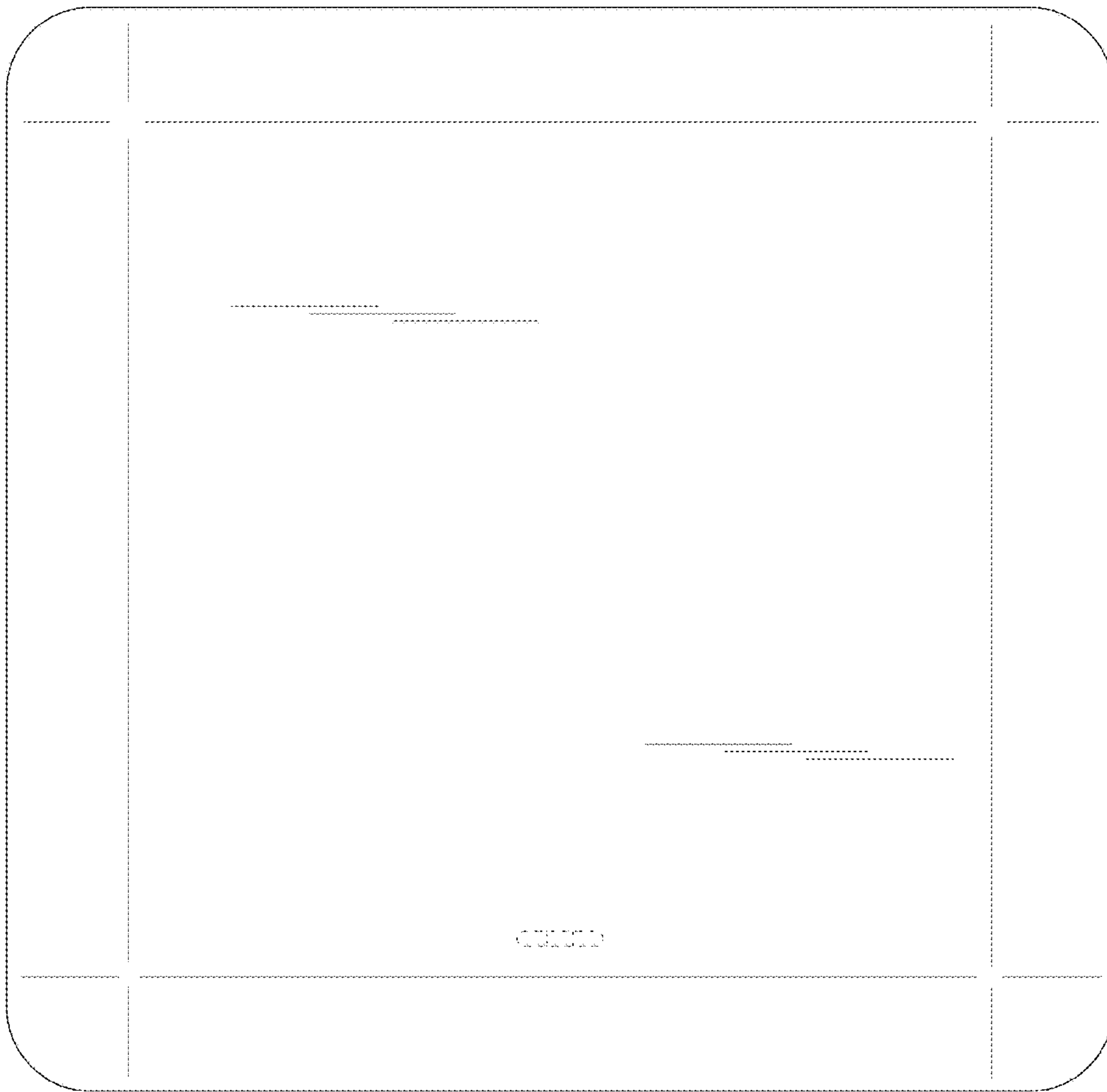


FIG. 3

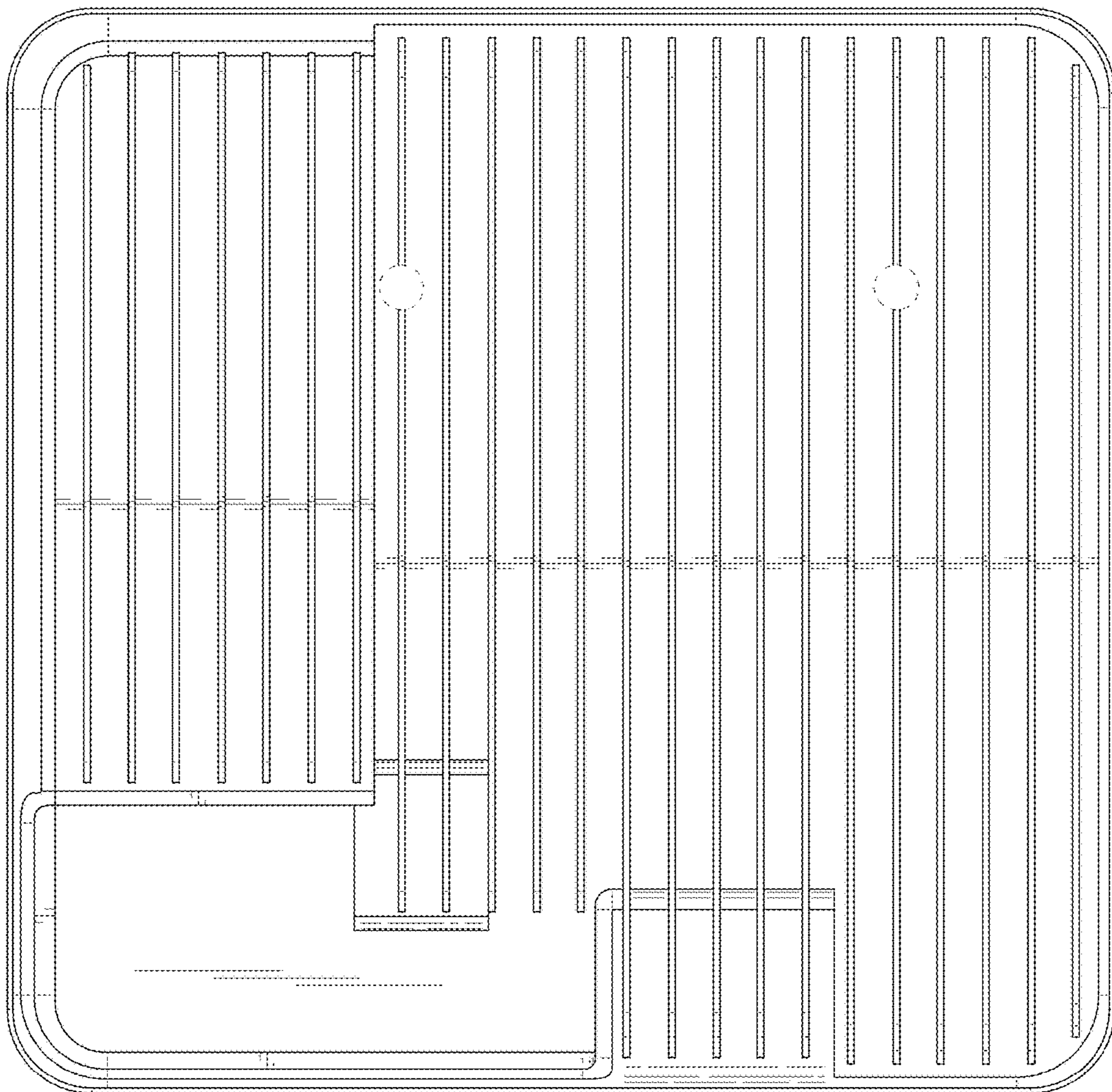


FIG. 4

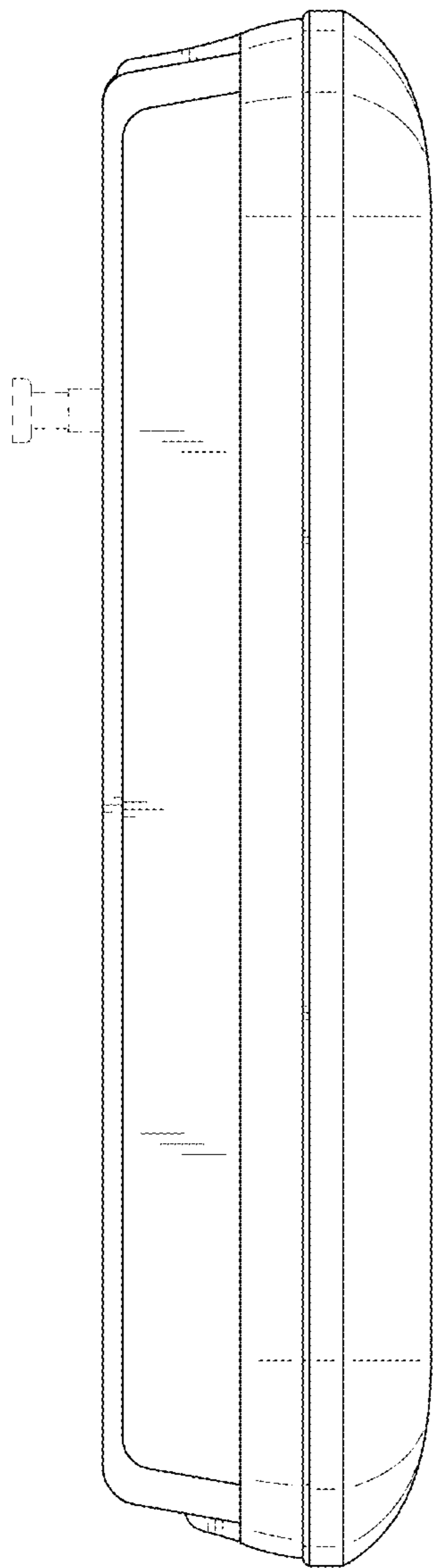


FIG. 5

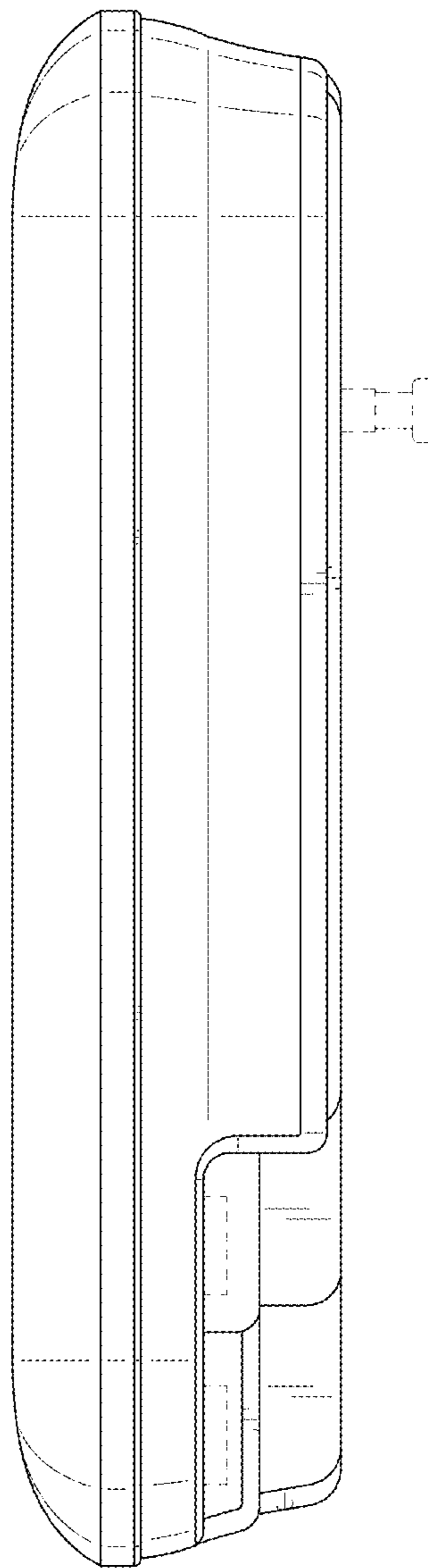


FIG. 6

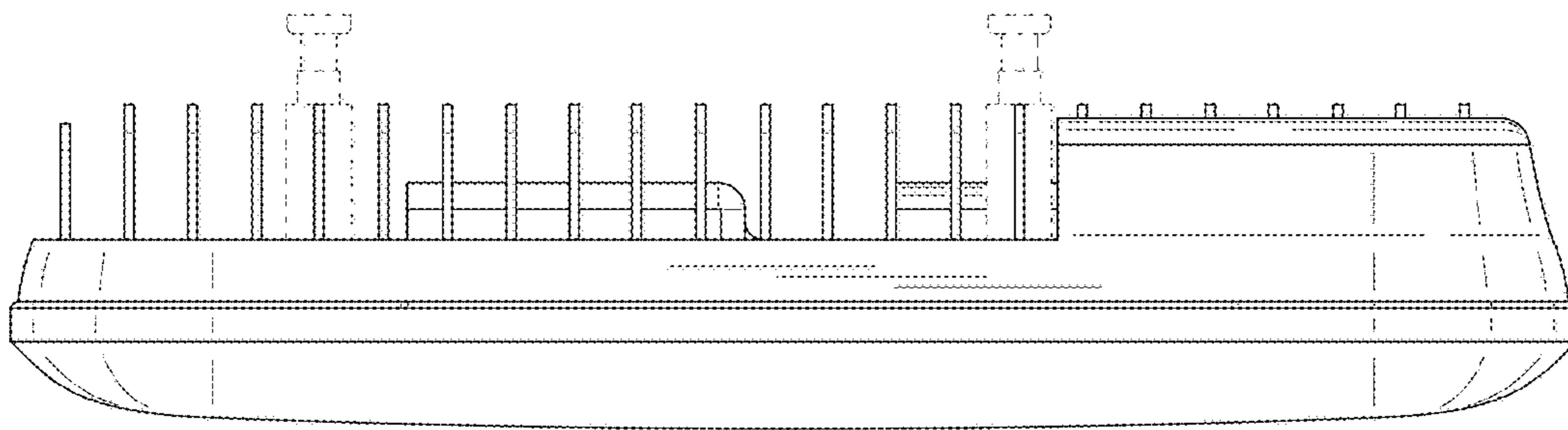


FIG. 7

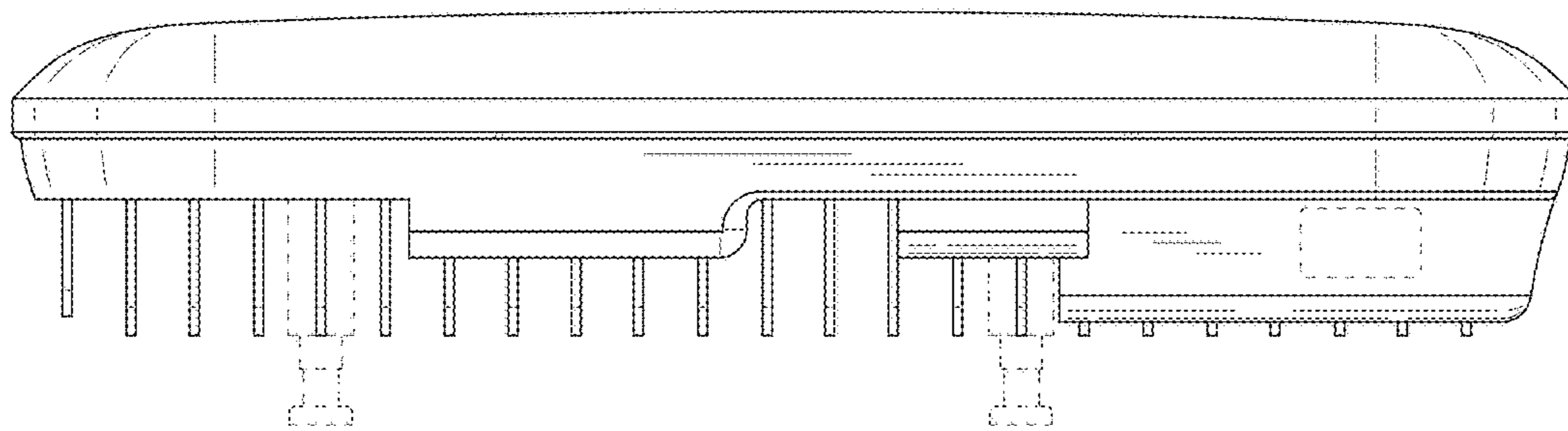


FIG. 8

