



US00D789357S

(12) **United States Design Patent**  
**Wu et al.**

(10) **Patent No.: US D789,357 S**  
(45) **Date of Patent: \*\* Jun. 13, 2017**

(54) **SMART WATCH**

G04G 21/08; G04G 9/0082; G06F 1/1626; G06F 1/1632

See application file for complete search history.

(71) Applicant: **Quanta Computer Inc.**, Taoyuan (TW)

(72) Inventors: **Chien-Ming Wu**, Taipei (TW);  
**Shih-Yun Lee**, New Taipei (TW);  
**Jung-Wen Chang**, Taoyuan (TW)

(56) **References Cited**

U.S. PATENT DOCUMENTS

1,854,857	A *	4/1932	Prestinari .....	A44C 5/02
				59/80
D355,614	S *	2/1995	Sato .....	D10/31
D390,789	S *	2/1998	Sugita .....	D10/30
D680,651	S *	4/2013	Lumme .....	D24/167
D690,210	S *	9/2013	Takahashi .....	D10/32
D693,264	S *	11/2013	Rabassa .....	D11/94
D699,131	S *	2/2014	Marshall .....	D10/65
D720,074	S *	12/2014	Suvilaakso .....	D24/167
D734,331	S *	7/2015	Wu .....	D14/344
D738,372	S *	9/2015	Song .....	D10/32
D742,254	S *	11/2015	Greusel .....	D10/30
D743,820	S *	11/2015	Song .....	D10/30

(Continued)

(73) Assignee: **Quanta Computer Inc.**, Taoyuan (TW)

(\*\*) Term: **14 Years**

(21) Appl. No.: **29/517,256**

(22) Filed: **Feb. 11, 2015**

(30) **Foreign Application Priority Data**

Dec. 8, 2014 (TW) ..... 103307198

(51) **LOC (10) Cl.** ..... **14-02**

(52) **U.S. Cl.**  
USPC ..... **D14/344**

(58) **Field of Classification Search**

USPC ..... D14/137, 155, 191, 203.1, 203.7, 218,  
D14/144, 344, 346, 488, 450, 496, 129,  
D14/130, 389; D10/30-39, 70, 65, 104.1,  
D10/106.9, 125, 122-126; D11/3-5, 19,  
D11/87, 93, 94, 200, 201, 216, 218, 230,  
D11/231; D21/329; D24/167

CPC A61J 7/0481; A61J 2007/0436; H01Q 1/243;  
H04B 1/385; H04B 2001/3866; H04B  
2001/3872; H04B 1/3833; H04M  
1/72522; H04M 1/72527; H04M 1/7253;  
H04M 1/21; G04B 47/00; G04B 45/0007;  
G04B 19/065; G04B 19/04; G04B 19/06;  
G04B 19/082; G04C 21/14; G04C 3/001;  
G04C 3/005; G04G 13/00; G04G 13/02;

OTHER PUBLICATIONS

QOne, announced Oct. 17, 2014 [online], [site visited Feb. 2, 2017], Available from Internet, URL: <<http://smartwatches.org/learn/best-standalone-smartwatch-options/>>.\*

(Continued)

*Primary Examiner* — Barbara Fox  
*Assistant Examiner* — Mary C Ramirez  
(74) *Attorney, Agent, or Firm* — Rabin & Berdo, P.C.

(57) **CLAIM**

The ornamental design for a smart watch, as shown and described.

**DESCRIPTION**

FIG. 1 is a perspective view of a smart watch showing our new design;

FIG. 2 is a front view thereof;

FIG. 3 is a rear view thereof;

FIG. 4 is a left side view thereof;

FIG. 5 is a right side view thereof;

(Continued)

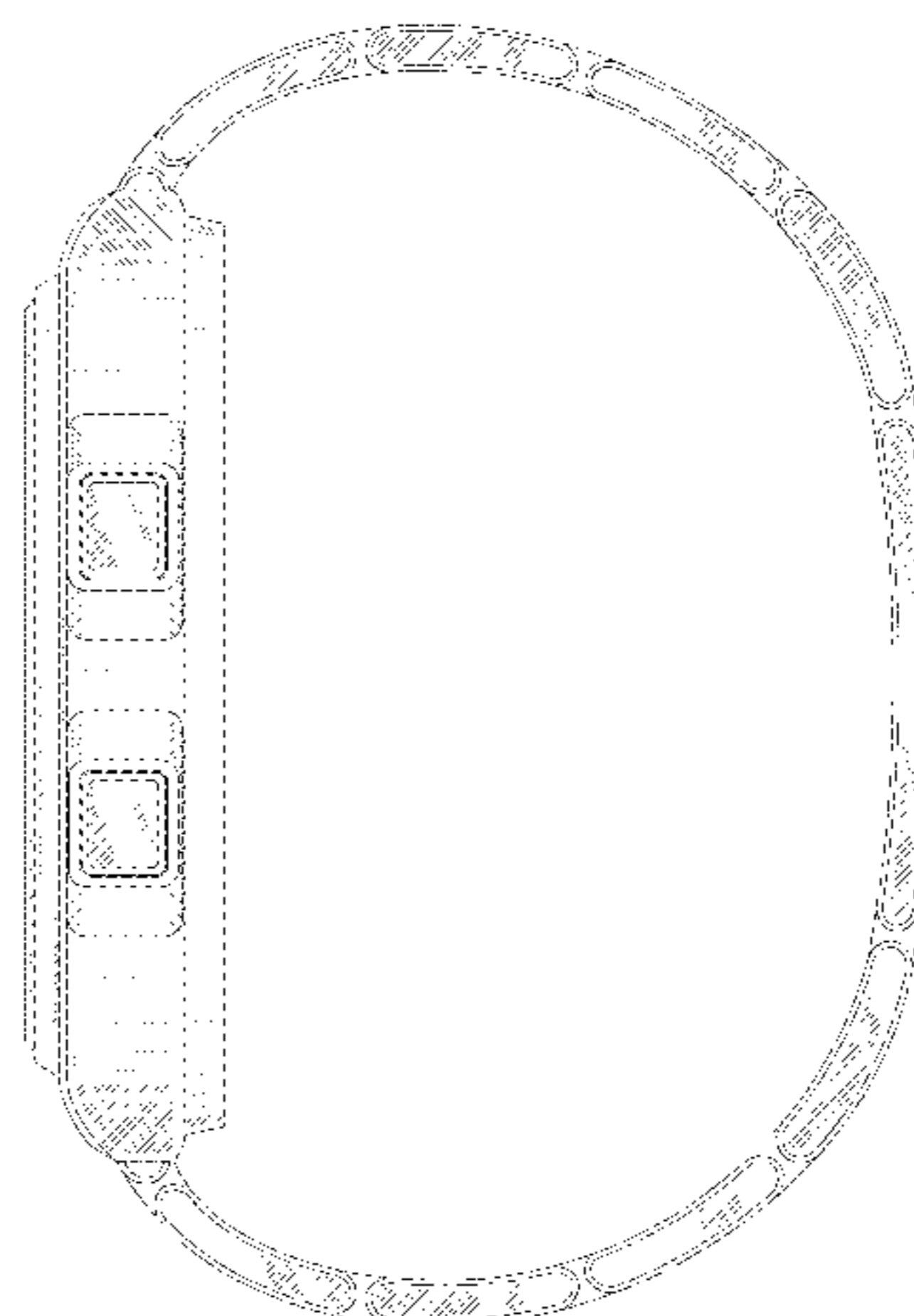
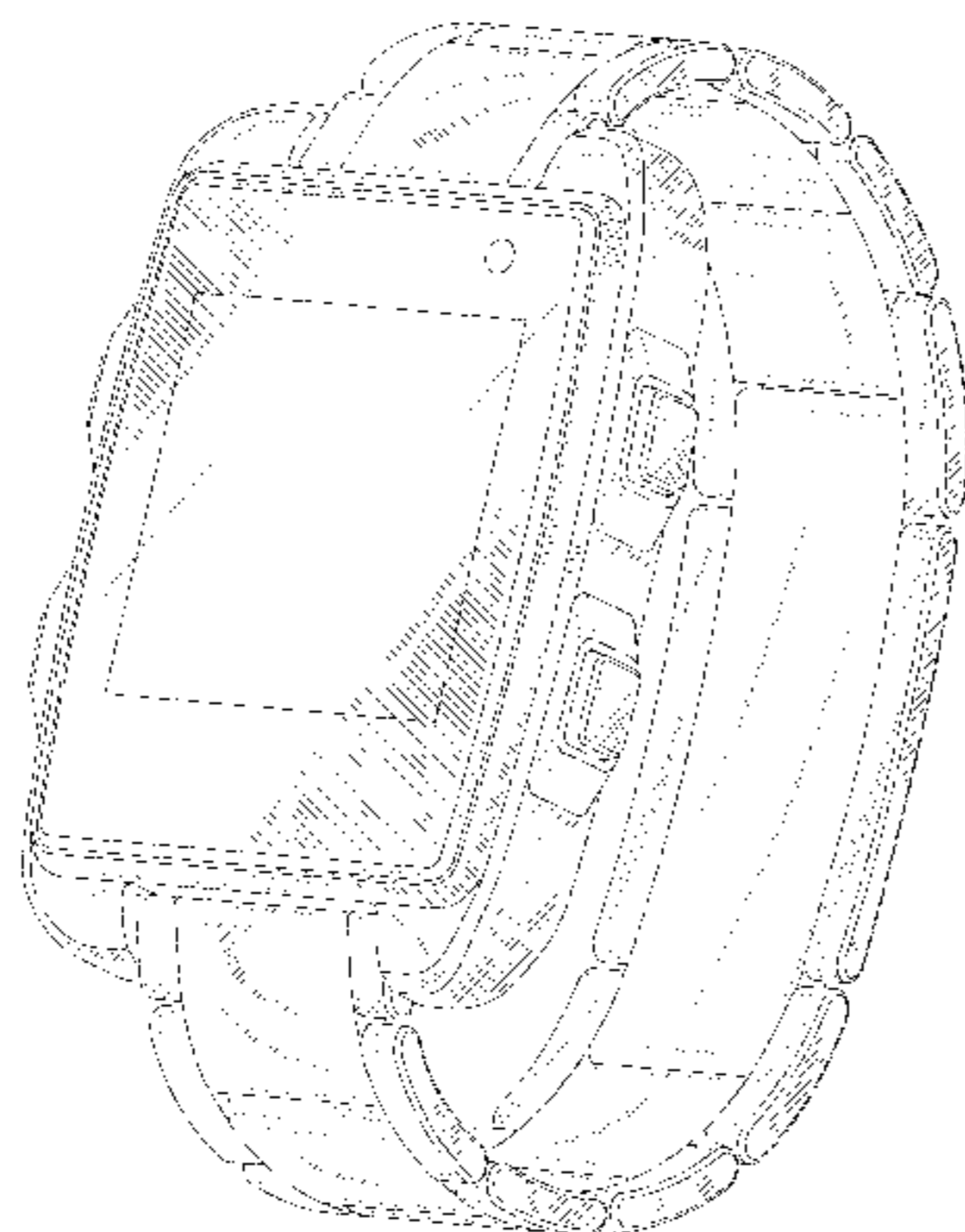


FIG. 6 is a top view thereof; and,  
FIG. 7 is a bottom view thereof.

**1 Claim, 7 Drawing Sheets**

2012/0168471 A1\* 7/2012 Wilson ..... A45F 5/00  
224/152  
2016/0073073 A1\* 3/2016 Ha ..... H04B 1/3888  
345/156  
2016/0109958 A1\* 4/2016 Moon ..... G06F 3/017  
345/156

(56)

**References Cited**

U.S. PATENT DOCUMENTS

D744,894 S \* 12/2015 Cerrato ..... D11/94  
D746,814 S \* 1/2016 Wu ..... D10/38  
D750,622 S \* 3/2016 Chen ..... D10/38  
D751,070 S \* 3/2016 Akana ..... D14/344  
D761,675 S \* 7/2016 Thaveeprungsriporn ..... D10/38  
D777,590 S \* 1/2017 Nielsen ..... D10/39  
2004/0174774 A1\* 9/2004 Tasaka ..... G04G 9/0082  
368/84  
2010/0222110 A1\* 9/2010 Kim ..... G06F 1/1616  
455/566  
2011/0012796 A1\* 1/2011 Kim ..... G04R 60/12  
343/702

OTHER PUBLICATIONS

Pebble, announced Dec. 17, 2014 [online], [site visited Feb. 2, 2017], Available from Internet, URL: <<https://botnlife.wordpress.com/category/health-monitor-devices/>>.\*  
MetaWatch, announced Sep. 30, 2013 [online], [site visited Feb. 2, 2017], Available from Internet, URL: <<http://www.watchfreeks.com/121-watch-review/45937-watch-review-metawatch-smartwatch-frame-white.html>>.\*  
Omate, announced Sep. 30, 2013 [online], [site visited Feb. 2, 2017], Available from Internet, URL: <<https://www.engadget.com/2013/09/30/omate-truesmart-handson/>>.\*

\* cited by examiner

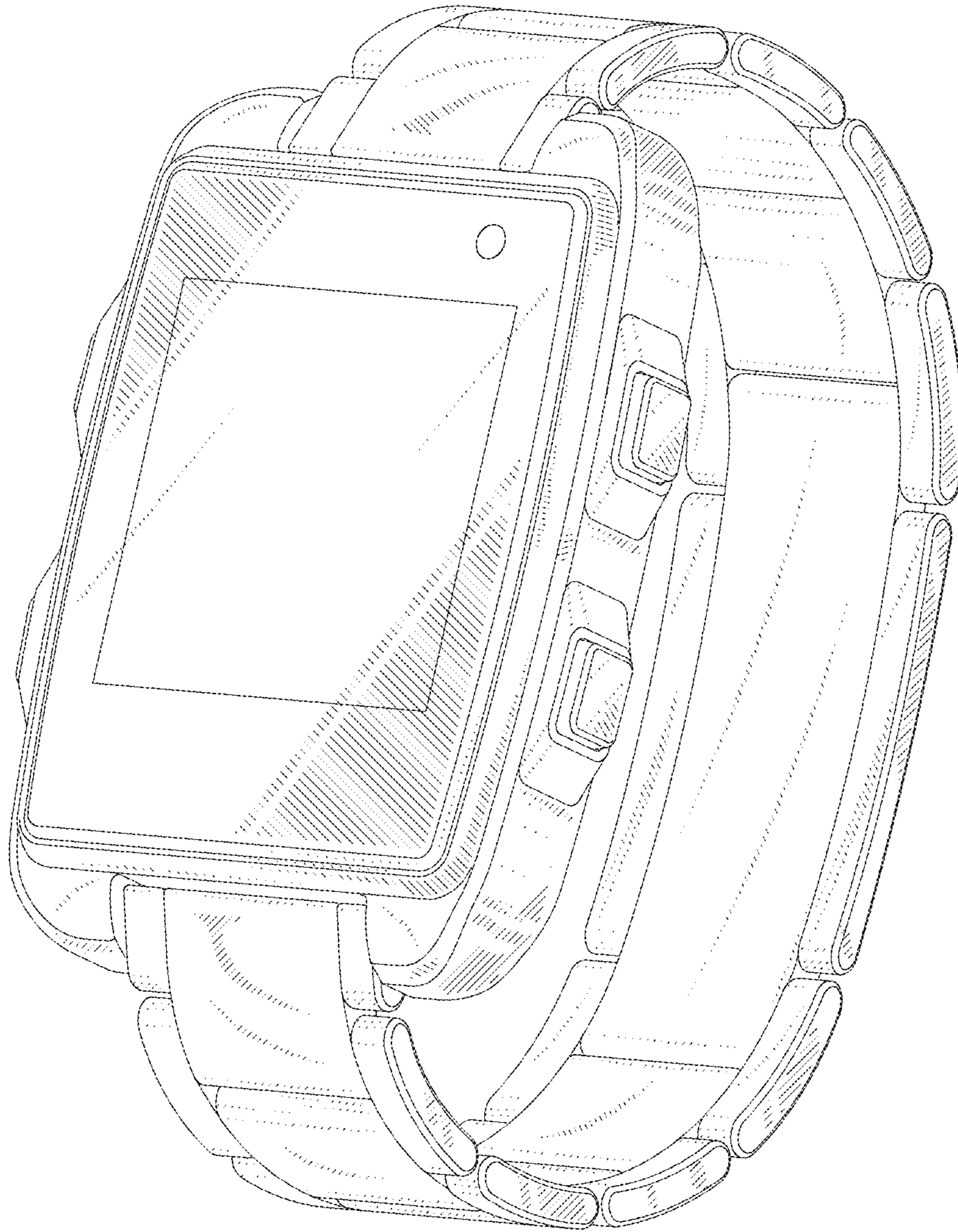


Fig. 1

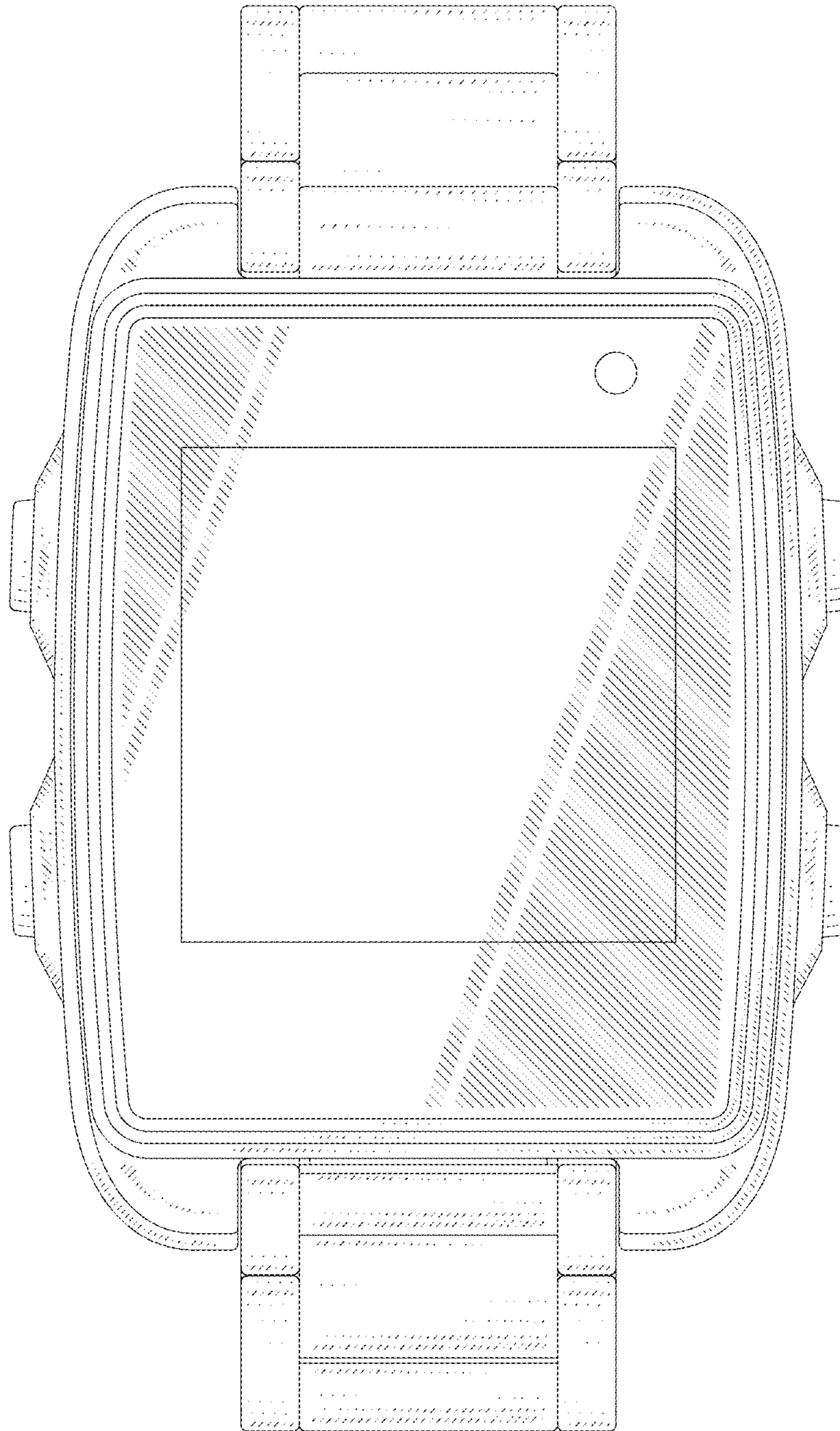


Fig. 2

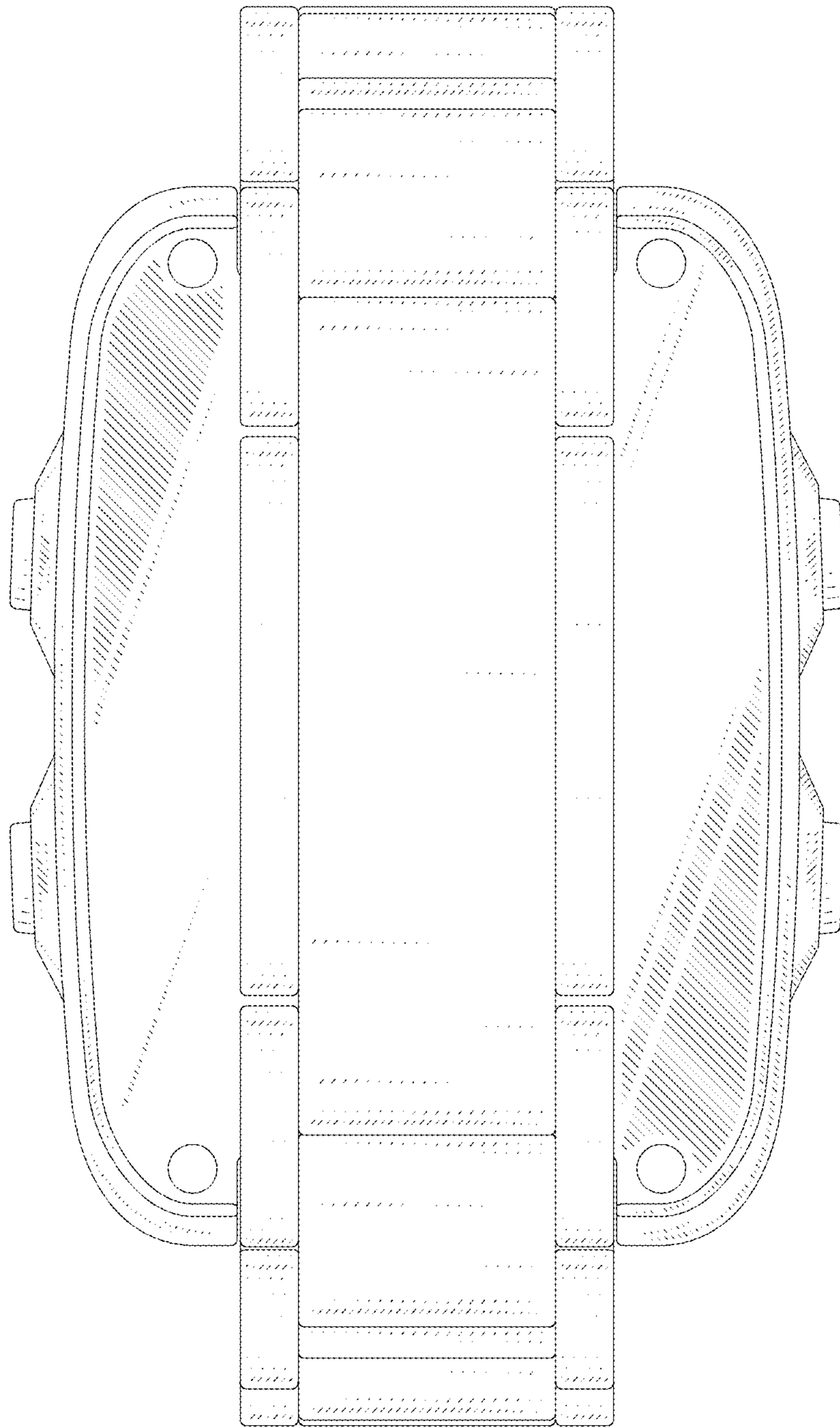


Fig. 3

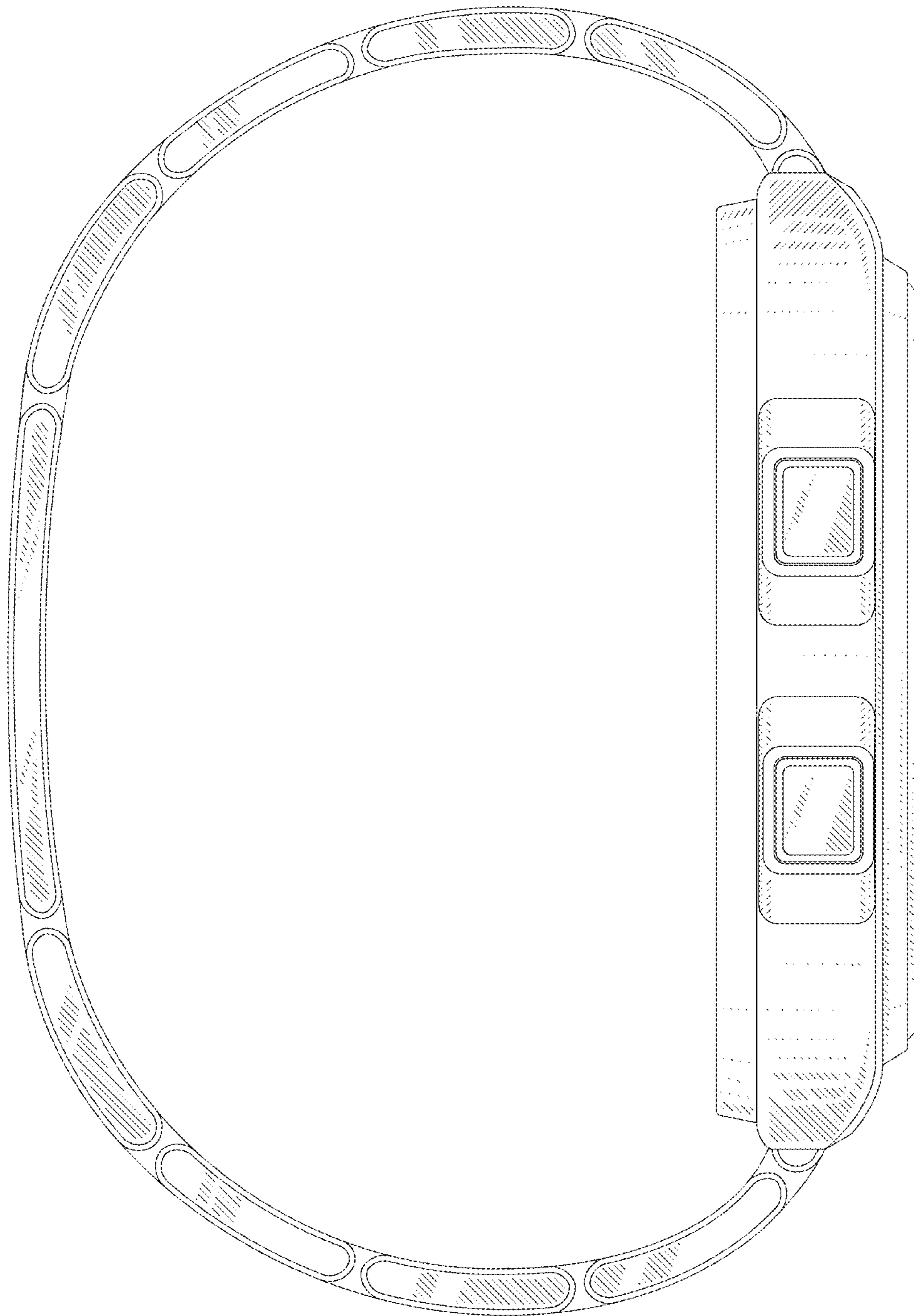


Fig. 4

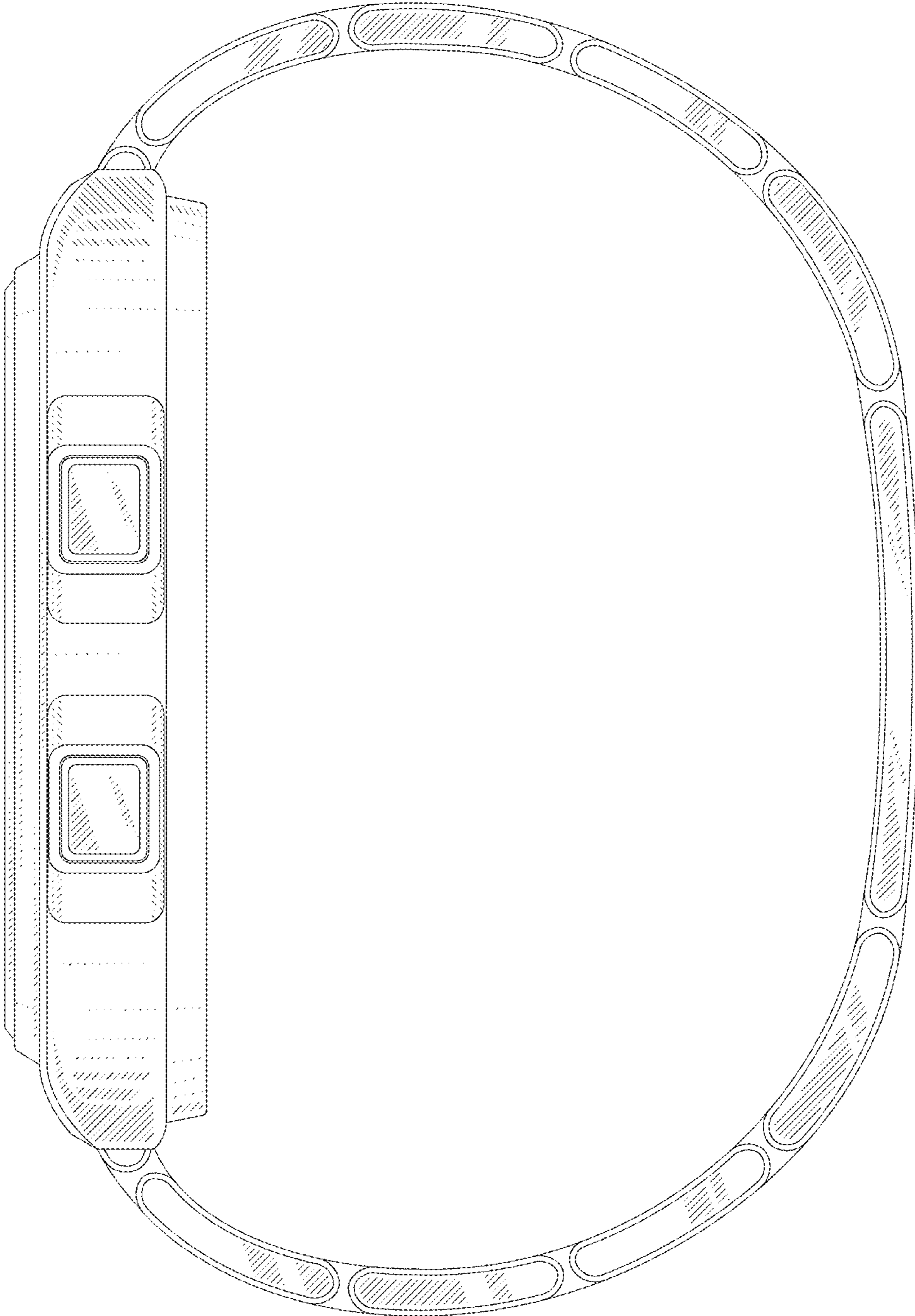


Fig. 5

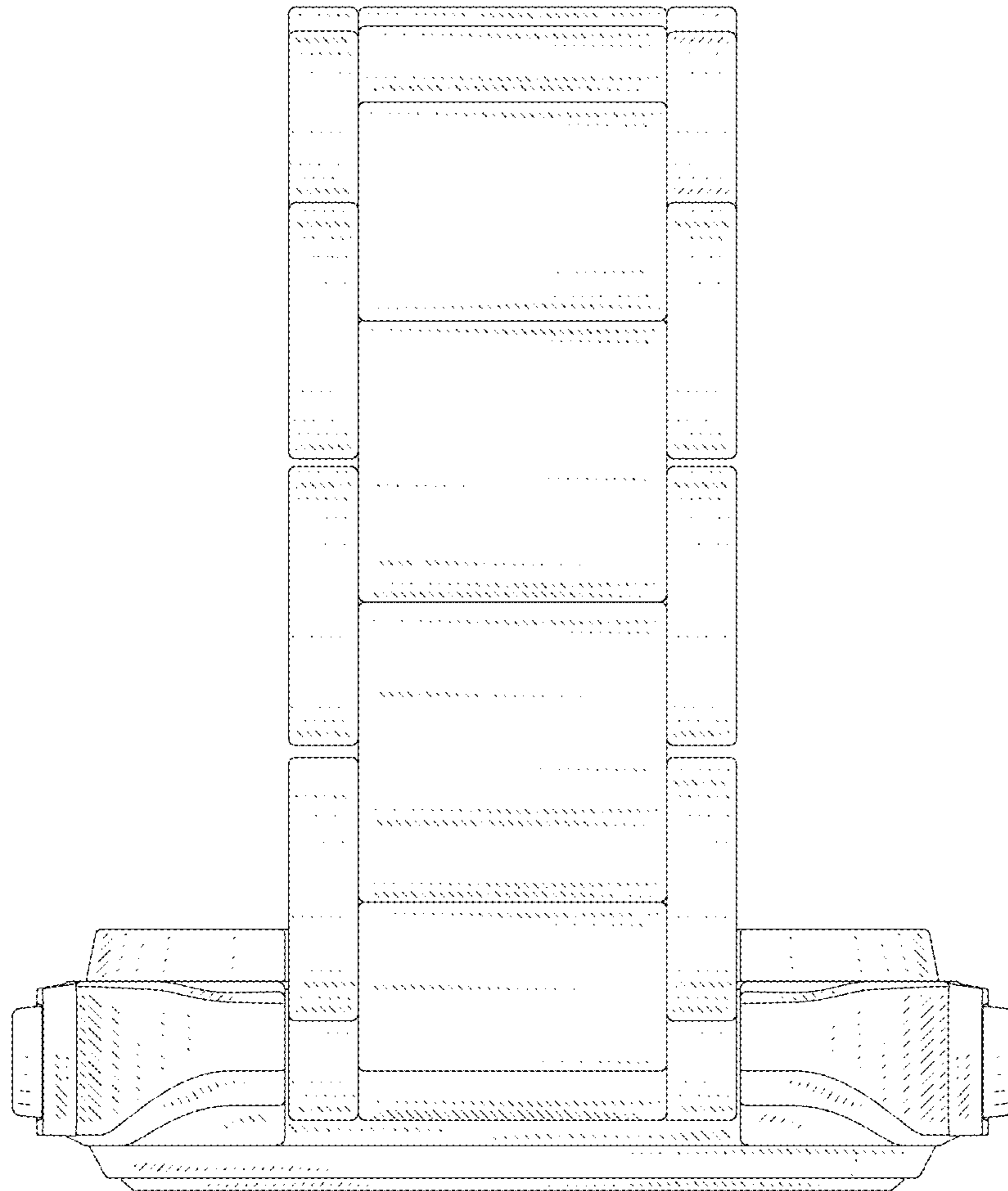


Fig. 6



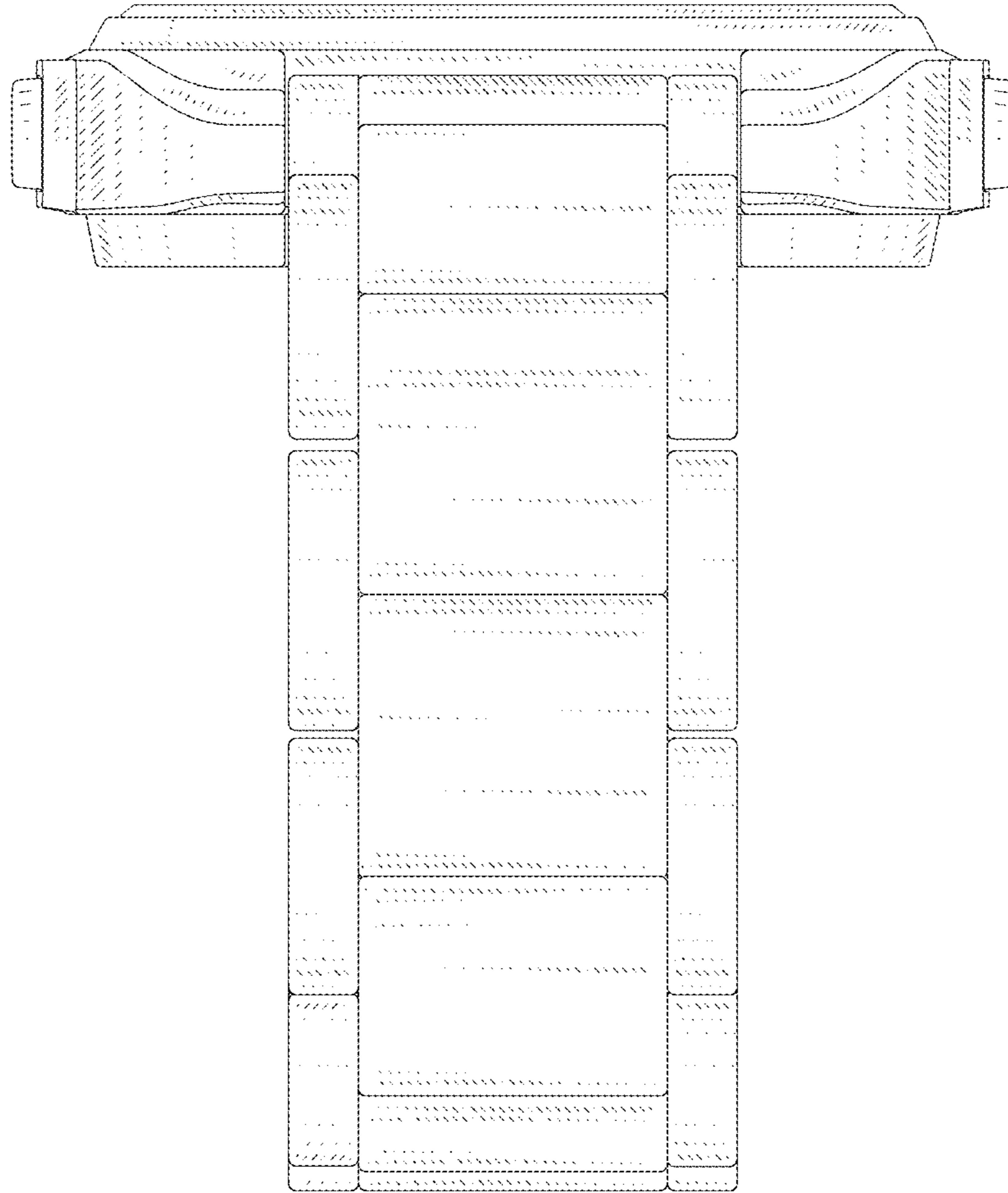


Fig. 7