



US00D789354S

(12) **United States Design Patent**
Rickett et al.

(10) **Patent No.:** **US D789,354 S**
(45) **Date of Patent:** **** Jun. 13, 2017**

- (54) **FOOTGAUGE TOUCHSCREEN**
- (71) Applicant: **C & J CLARK INTERNATIONAL LIMITED**, Somerset (GB)
- (72) Inventors: **Peter Rickett**, Surrey (GB); **Dan Innes**, London (GB); **Chris Towns**, Somerset (GB)
- (73) Assignee: **C & J CLARK INTERNATIONAL LIMITED**, Street, Somerset (GB)
- (**) Term: **14 Years**
- (21) Appl. No.: **29/514,797**
- (22) Filed: **Jan. 16, 2015**
- (51) **LOC (10) Cl.** **14-02**
- (52) **U.S. Cl.**
USPC **D14/341**
- (58) **Field of Classification Search**
USPC D14/341-347, 137, 138 R, 138 AA, D14/138 AB, 138 C, 138 G, 203.1, 203.3, D14/203.4, 203.7, 129, 130, 147, 218, D14/247, 248, 332, 388, 389, 315-318, D14/420, 426, 429, 489, 492, 496; D10/50, 65, 104.1; D21/324, 329, 330, D21/332
CPC G06F 1/1613; G06F 1/1647; G06F 1/1641; G06F 3/04883; G06F 3/0486; G06F 3/04847; G06F 3/04845; G06F 3/04817; G06F 3/0484; H04M 1/0279; H04M 1/0281; H04M 1/0283; A63H 33/3016
See application file for complete search history.

- D547,384 S * 7/2007 Lau D21/324
- 7,952,571 B2 * 5/2011 Griffin G06F 1/1626 345/169
- D674,387 S * 1/2013 Avery D14/341
- D712,760 S * 9/2014 Towns D10/70
- 9,194,696 B2 * 11/2015 Smith A61B 5/0082
- D759,650 S * 6/2016 Avery D14/341
- 2013/0244217 A1 * 9/2013 Potts G09B 5/02 434/324
- 2014/0182152 A1 * 7/2014 Towns A43D 1/02 33/515

FOREIGN PATENT DOCUMENTS

- GB WO 2014087140 * 12/2014 G06F 3/0488
- * cited by examiner

Primary Examiner — Barbara Fox
Assistant Examiner — Dana K Weiland
 (74) *Attorney, Agent, or Firm* — Squire Patton Boggs (US) LLP

(57) **CLAIM**

The ornamental design for a footgauge touchscreen, as shown and described.

DESCRIPTION

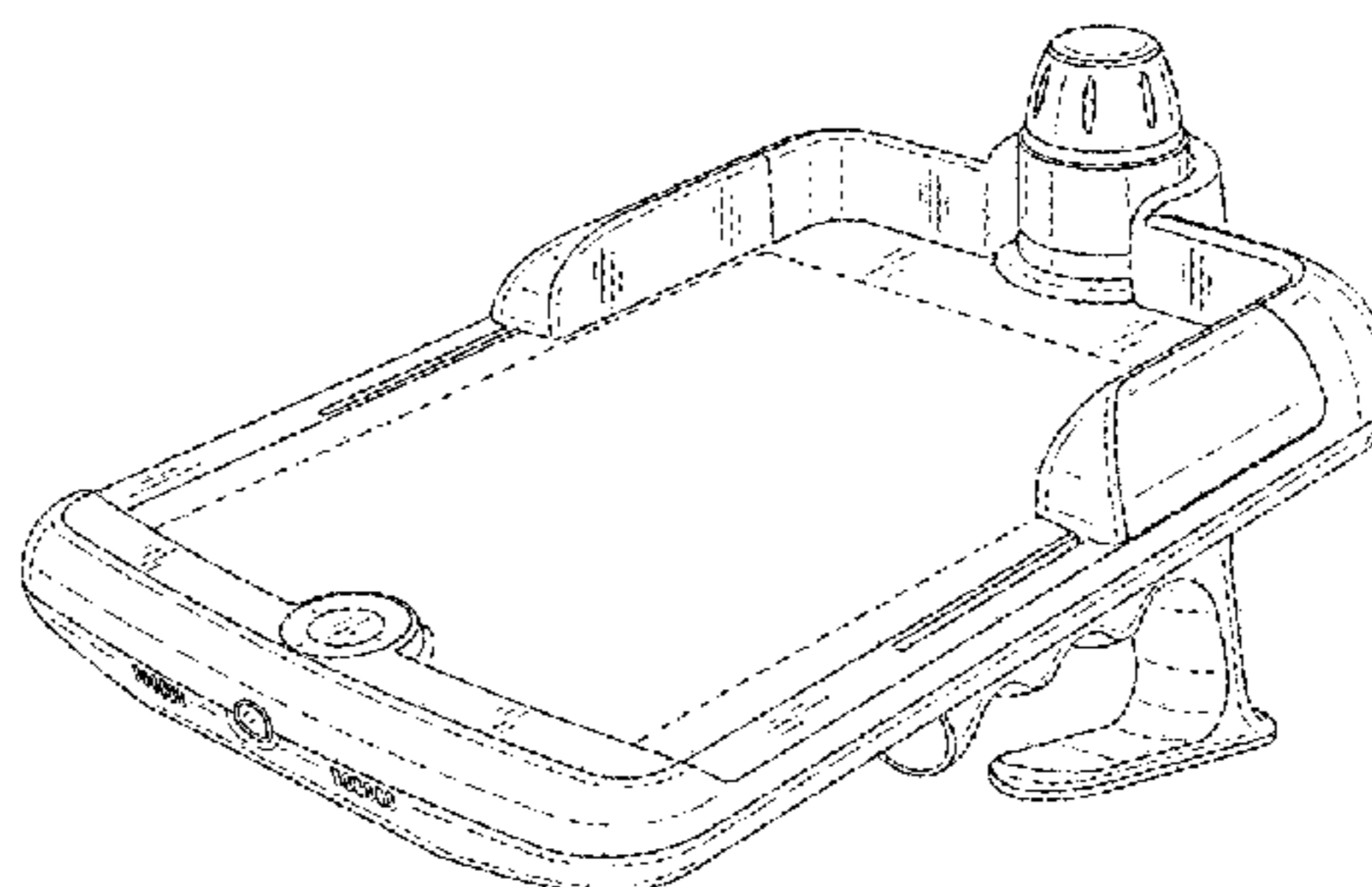
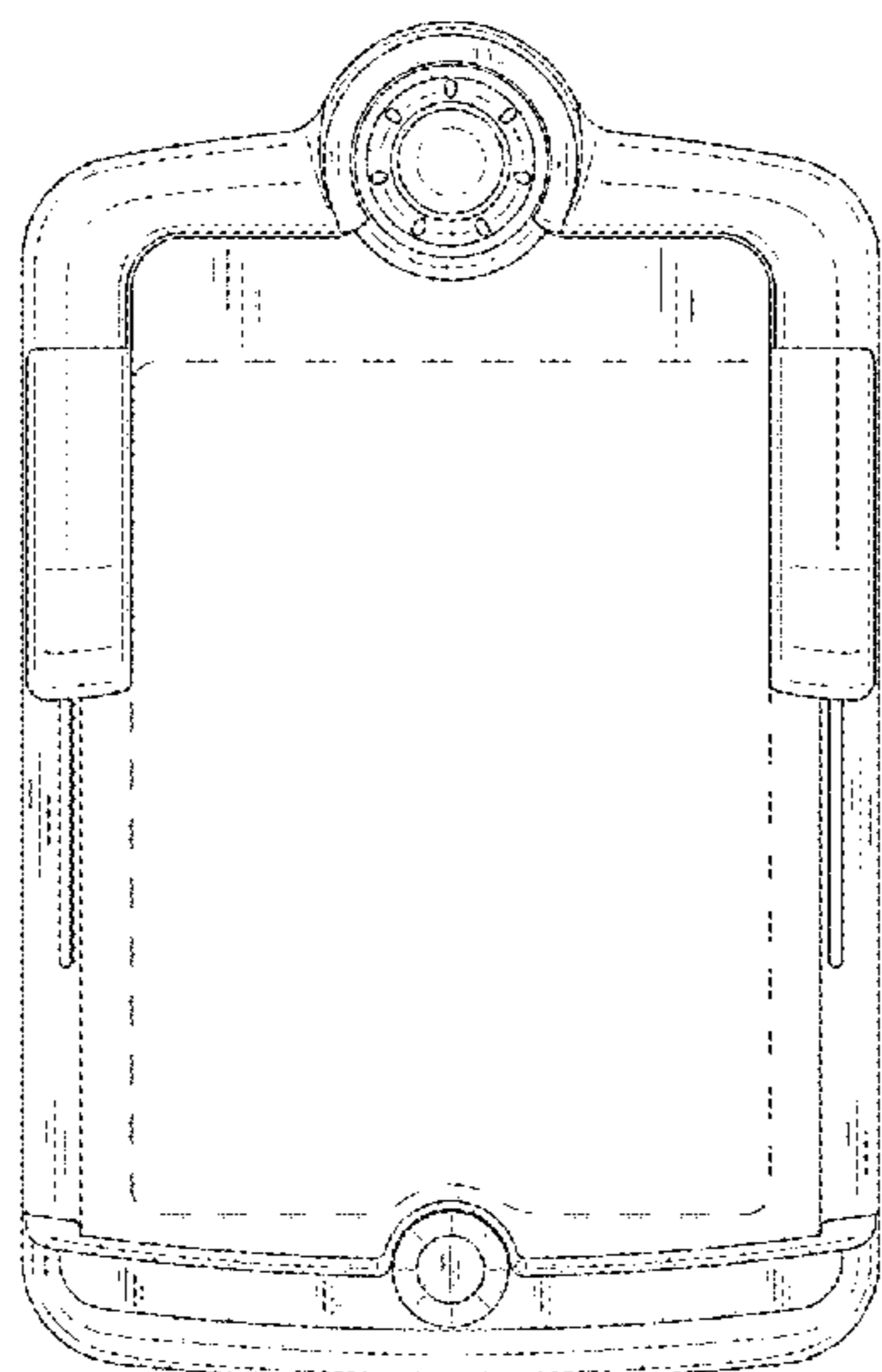
FIG. 1 is a top view of a footgauge touchscreen according to our invention;
 FIG. 2 is a right side view thereof;
 FIG. 3 is a bottom view thereof;
 FIG. 4 is a front view thereof;
 FIG. 5 is a rear view thereof;
 FIG. 6 is a perspective view thereof;
 FIG. 7 is an alternative perspective view of FIG. 1; and,
 FIG. 8 is a left side view of the footgauge touchscreen of FIG. 1.
 The broken lines shown in the drawings illustrate portions of the footgauge touchscreen that form no part of the claimed design.

1 Claim, 8 Drawing Sheets

(56) **References Cited**

U.S. PATENT DOCUMENTS

- D399,537 S * 10/1998 Chi D21/324
- D480,720 S * 10/2003 Sjoberg D14/341
- D503,171 S * 3/2005 Park D14/346
- D503,750 S * 4/2005 Kit D21/324



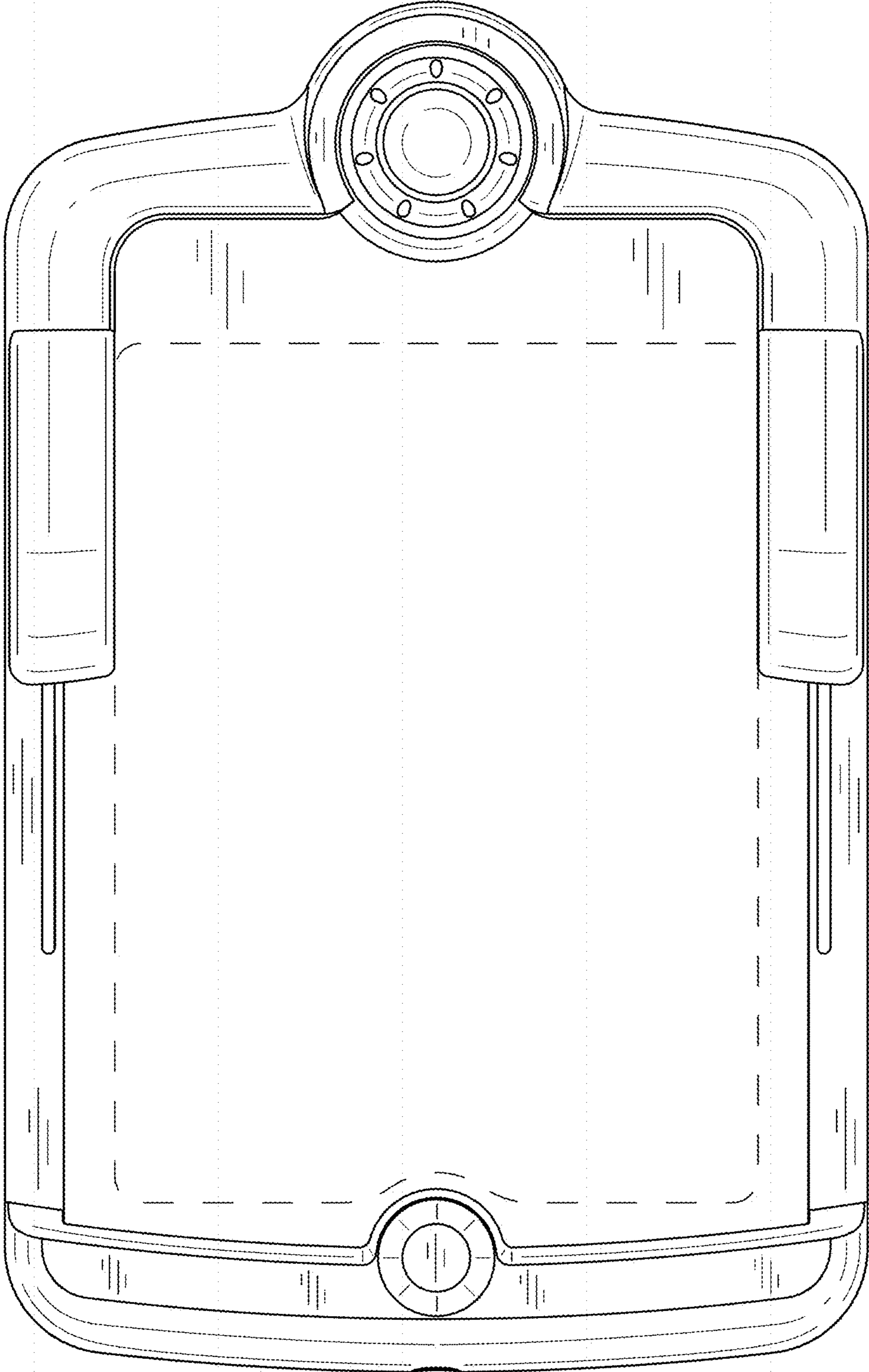


FIG. 1

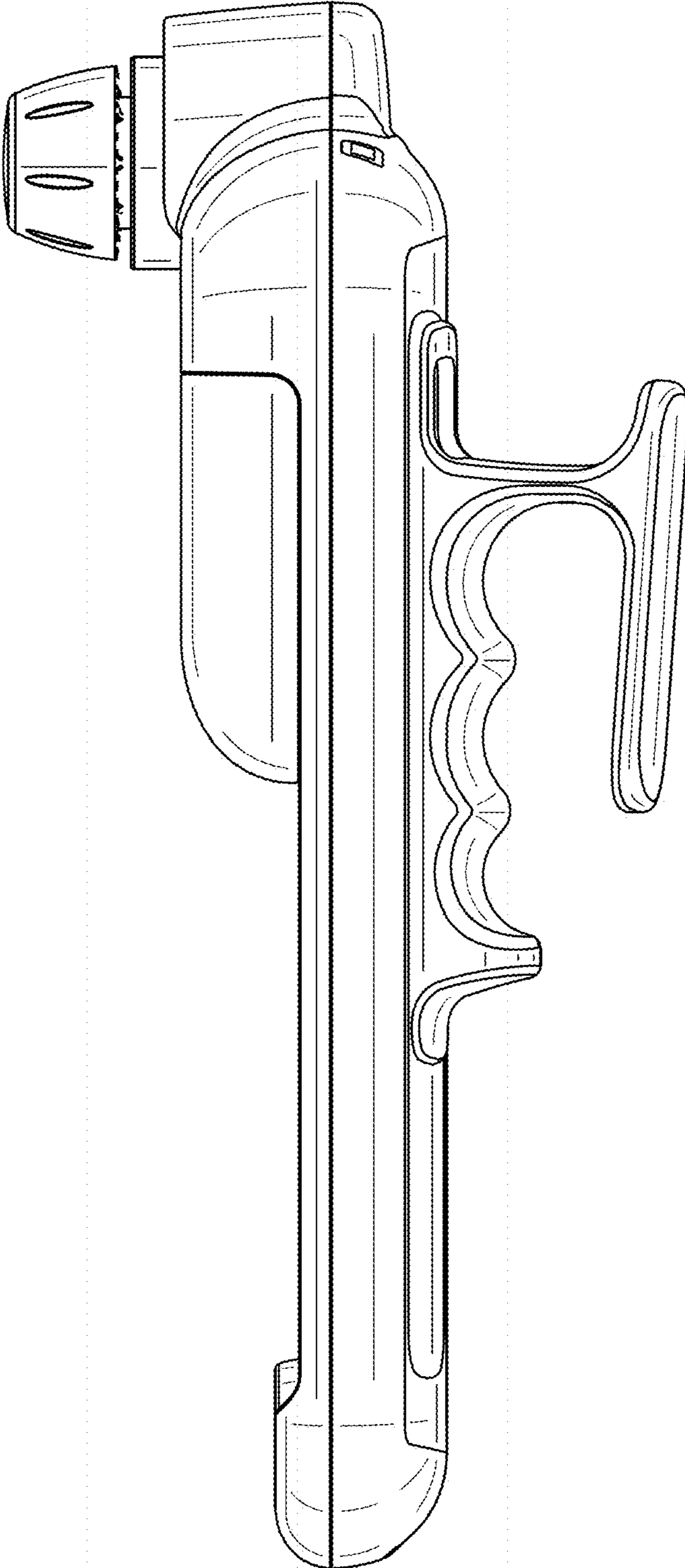


FIG. 2

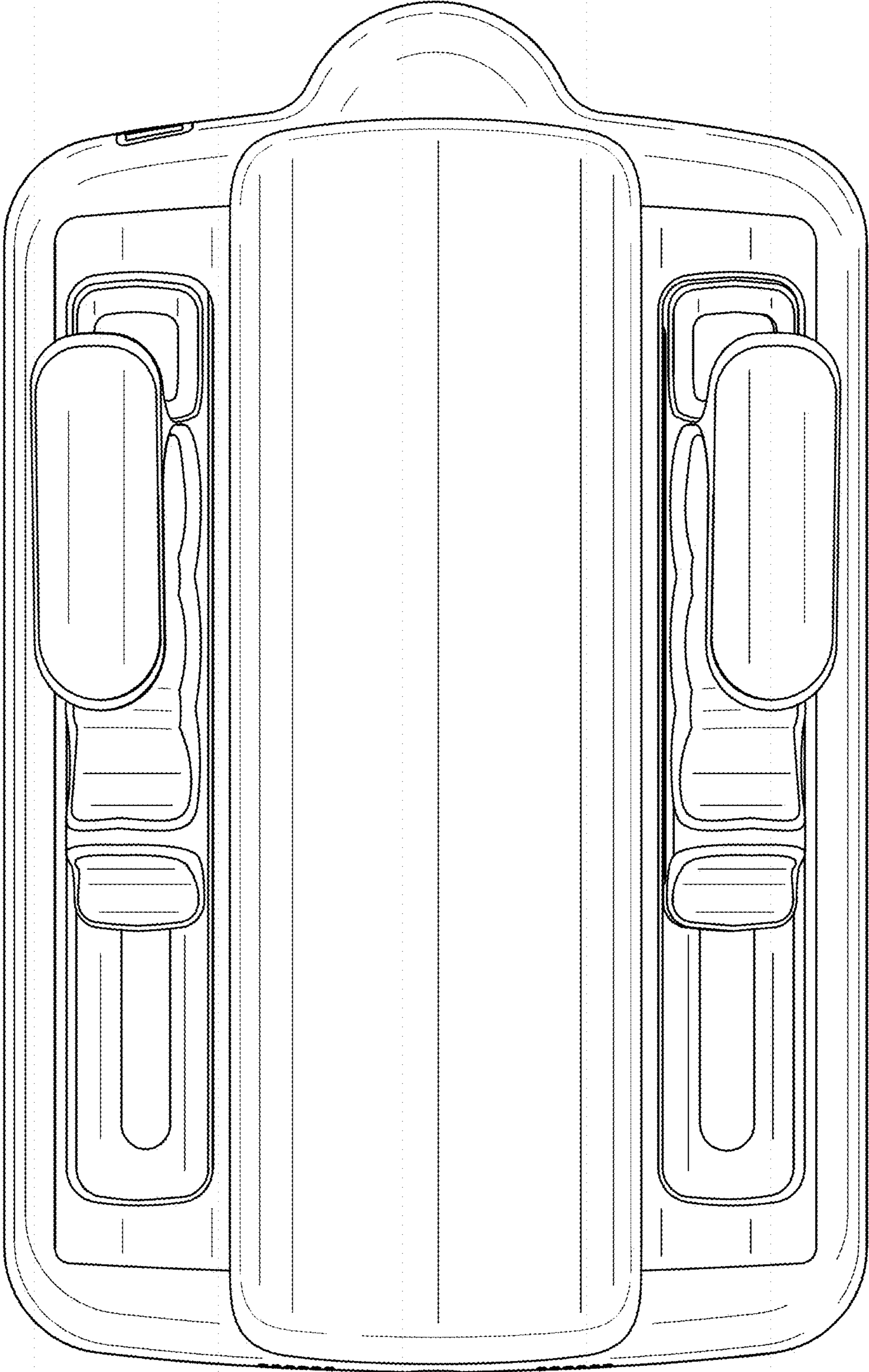


FIG. 3

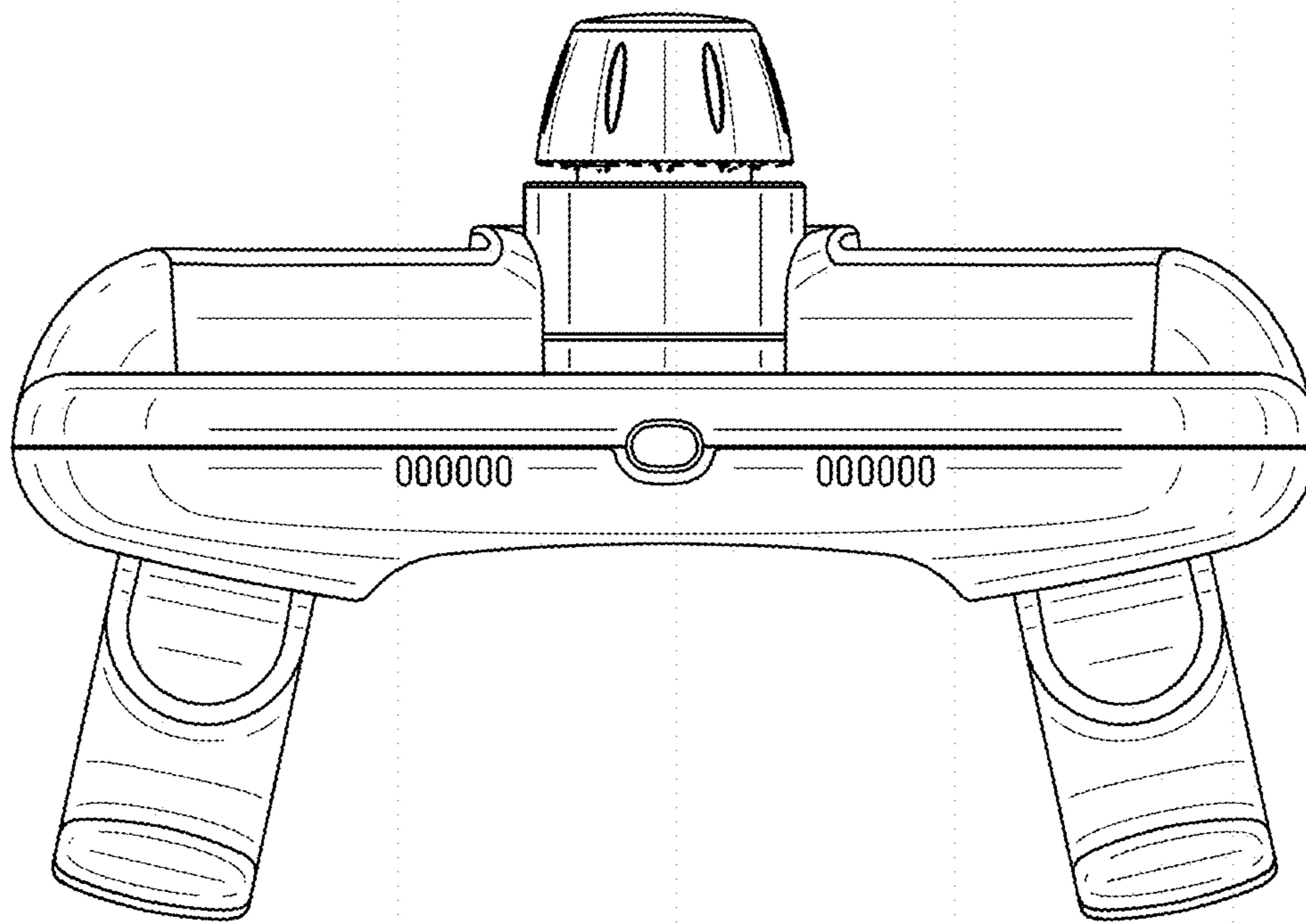


FIG. 4

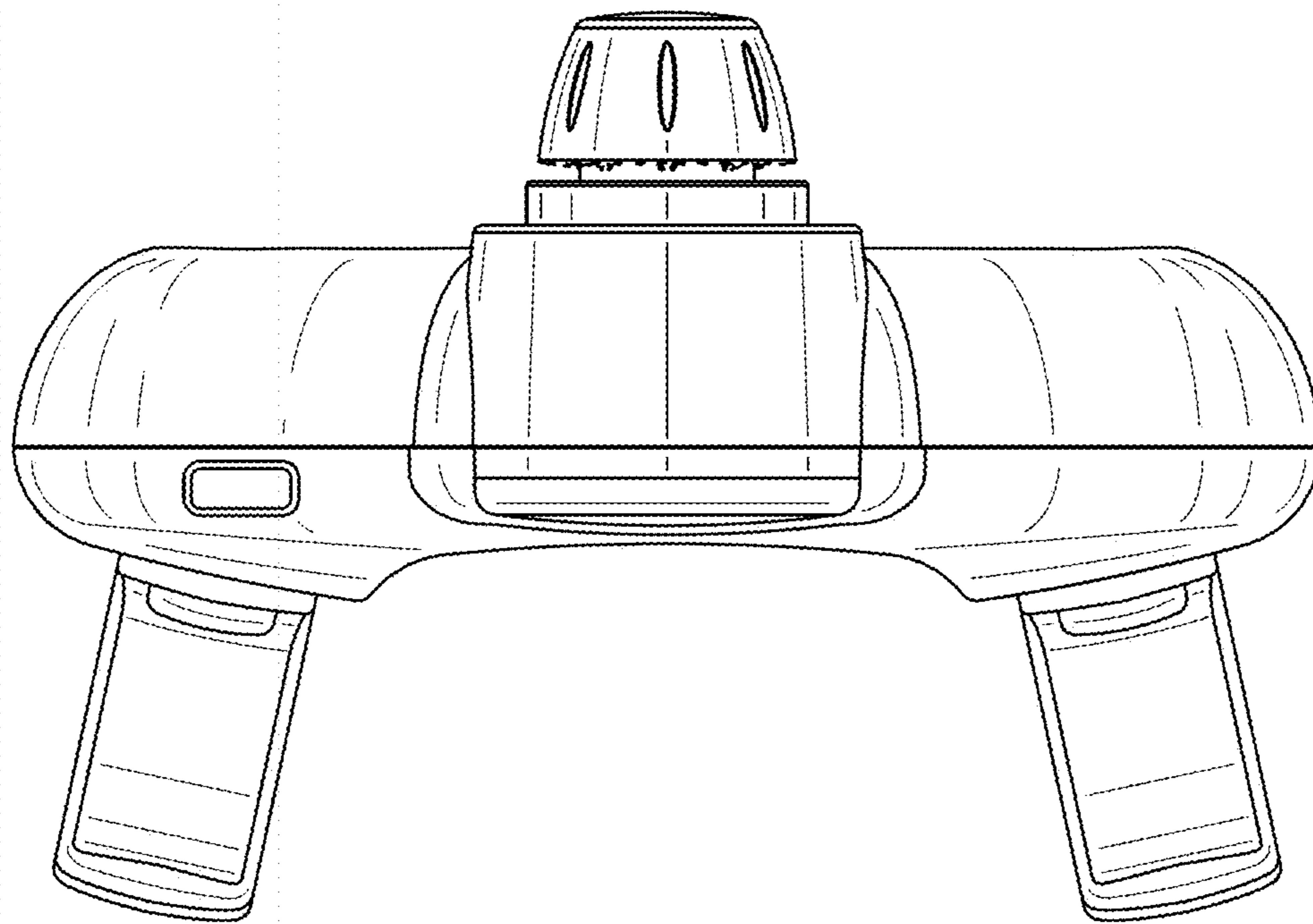


FIG. 5

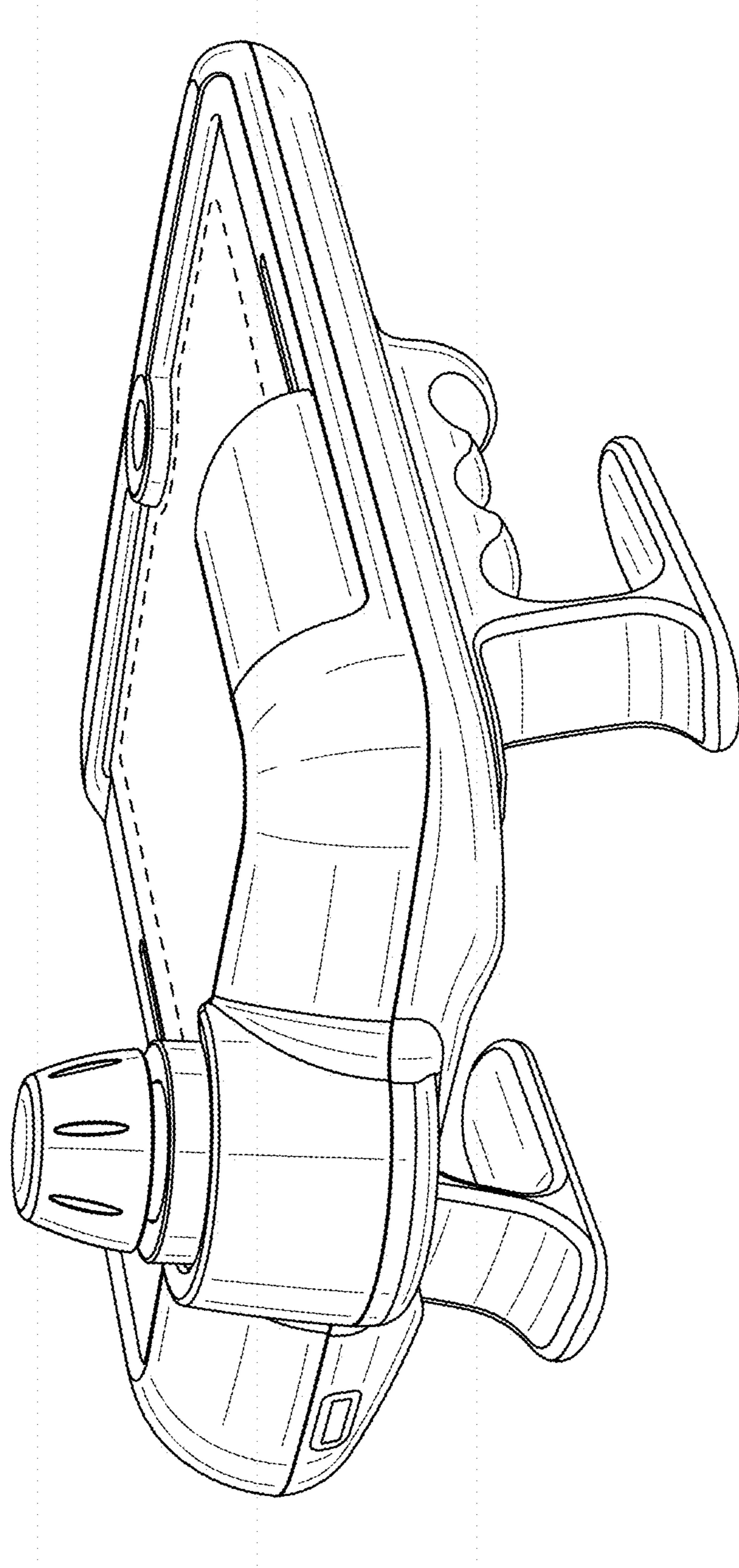


FIG. 6

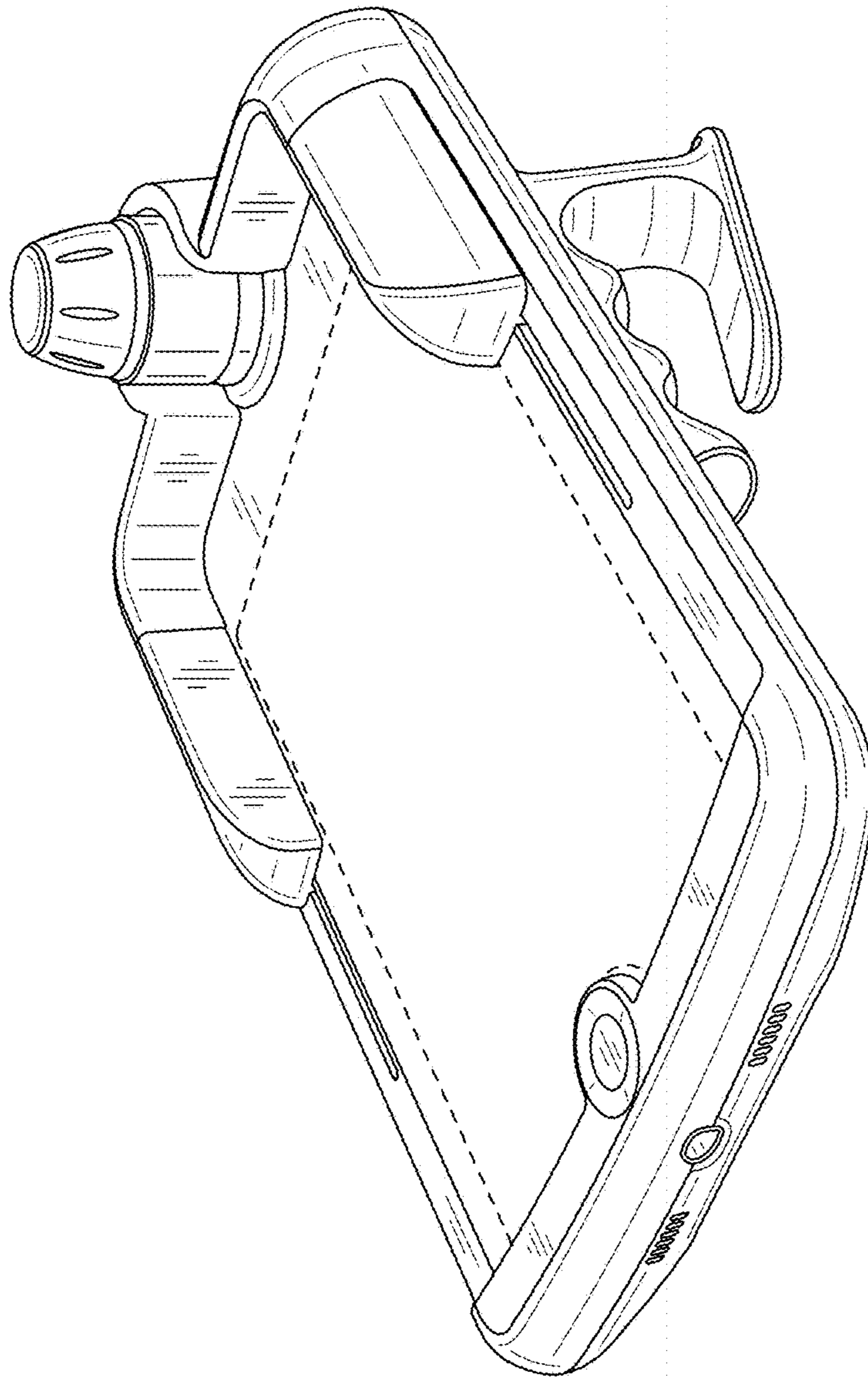


FIG. 7

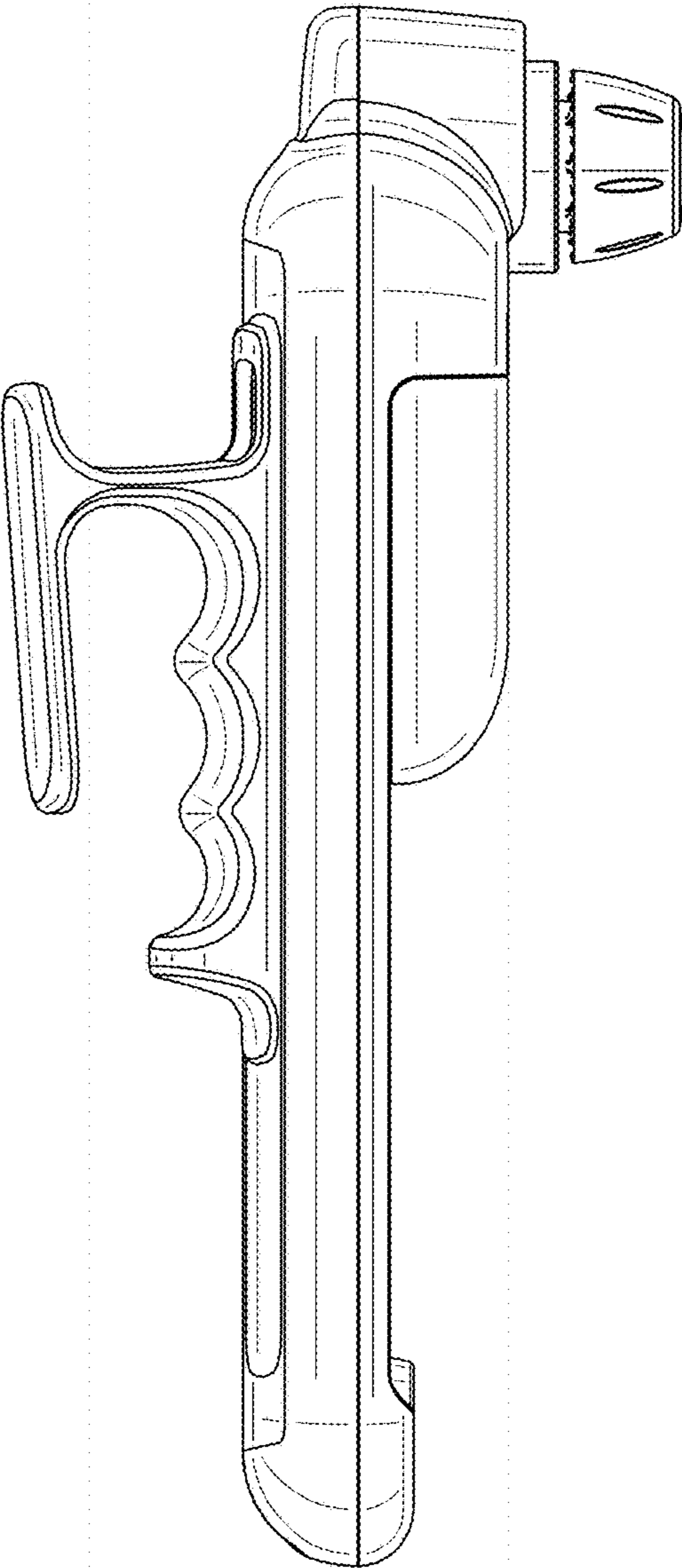


FIG. 8