



US00D789350S

(12) **United States Design Patent**
Wellard

(10) **Patent No.:** **US D789,350 S**
(45) **Date of Patent:** **** Jun. 13, 2017**

(54) **AUTO STEREO MOUNTING DEVICE**

D693,753 S * 11/2013 Cheung D12/192
D755,775 S * 5/2016 Fiore, IV D14/258
D755,777 S * 5/2016 Fiore, IV D14/258

(71) Applicant: **Metra Electronics Corporation**, Holly Hill, FL (US)

* cited by examiner

(72) Inventor: **Kennesaw Wellard**, Holly Hill, FL (US)

Primary Examiner — Sandra Morris

(73) Assignee: **Metra Electronics Corporation**, Holly Hill, FL (US)

(74) *Attorney, Agent, or Firm* — J. Wiley Horton

(**) Term: **15 Years**

(57) **CLAIM**

(21) Appl. No.: **29/569,441**

The ornamental design for an “auto stereo mounting device,” as shown and described.

(22) Filed: **Jun. 28, 2016**

(51) **LOC (10) Cl.** **14-03**

(52) **U.S. Cl.**
USPC **D14/258**

DESCRIPTION

(58) **Field of Classification Search**
USPC D12/192, 195, 415, 420; D14/496, D14/498–506, 154, 157, 168–171, D14/188–198, 257–258; 248/27.1, 27.3, 248/558; 455/347, 350
CPC B60R 11/02; B60K 37/04; B60K 37/06; H04B 1/08; H04B 1/082
See application file for complete search history.

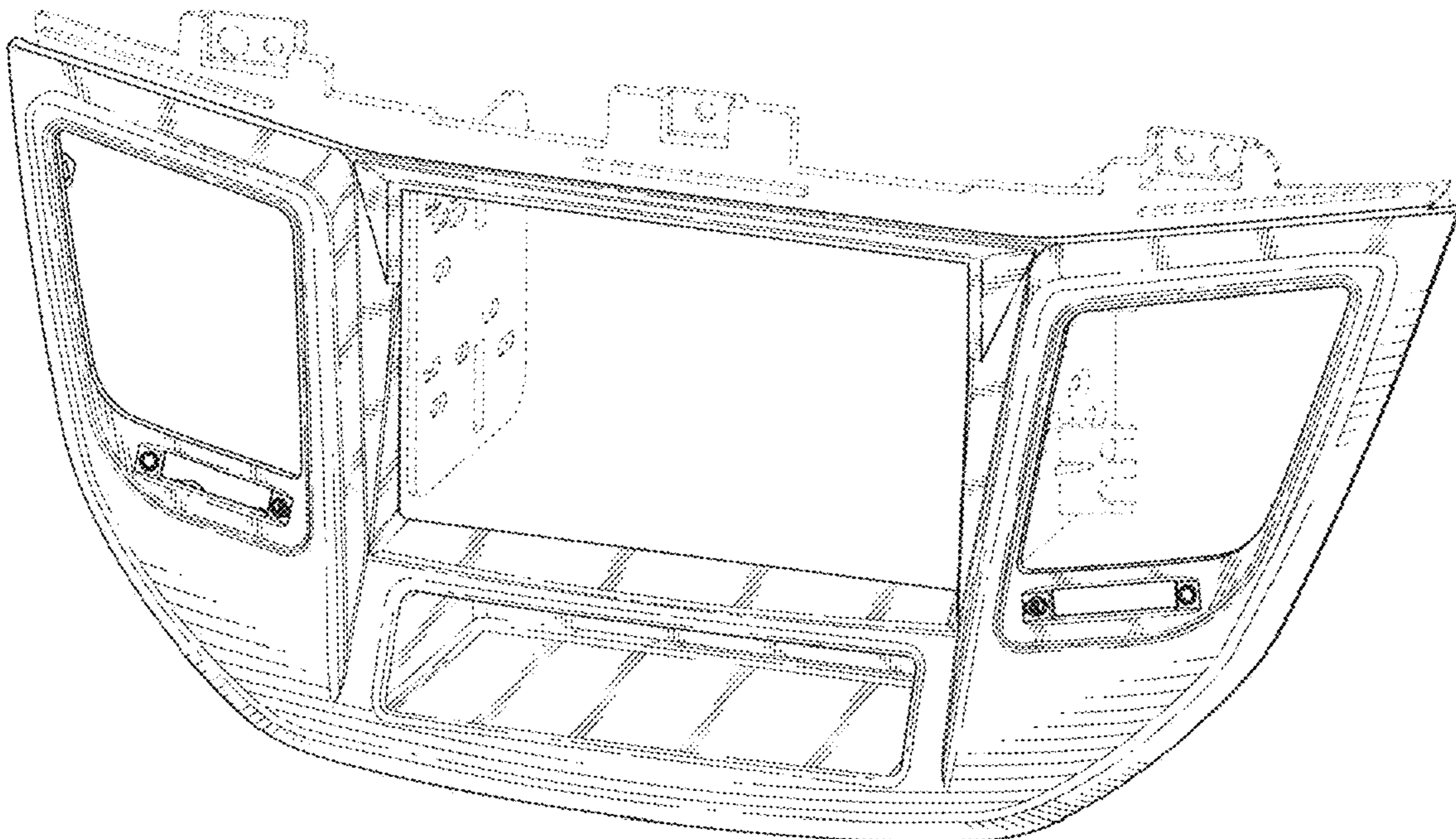
FIG. 1 is a perspective view of an auto stereo mounting device, showing my design;
FIG. 2 is a front elevation view of FIG. 1;
FIG. 3 is a rear elevation view of FIG. 1;
FIG. 4 is a right side elevation view of FIG. 1;
FIG. 5 is a left side elevation view of FIG. 1;
FIG. 6 is a top plan view of FIG. 1; and,
FIG. 7 is a bottom plan view of FIG. 1.
The broken lines shown in all views illustrate mounting features which form no part of the claimed design.

(56) **References Cited**

U.S. PATENT DOCUMENTS

D559,244 S * 1/2008 Fukuda D14/258
D639,292 S * 6/2011 Fiore, IV D14/258

1 Claim, 7 Drawing Sheets



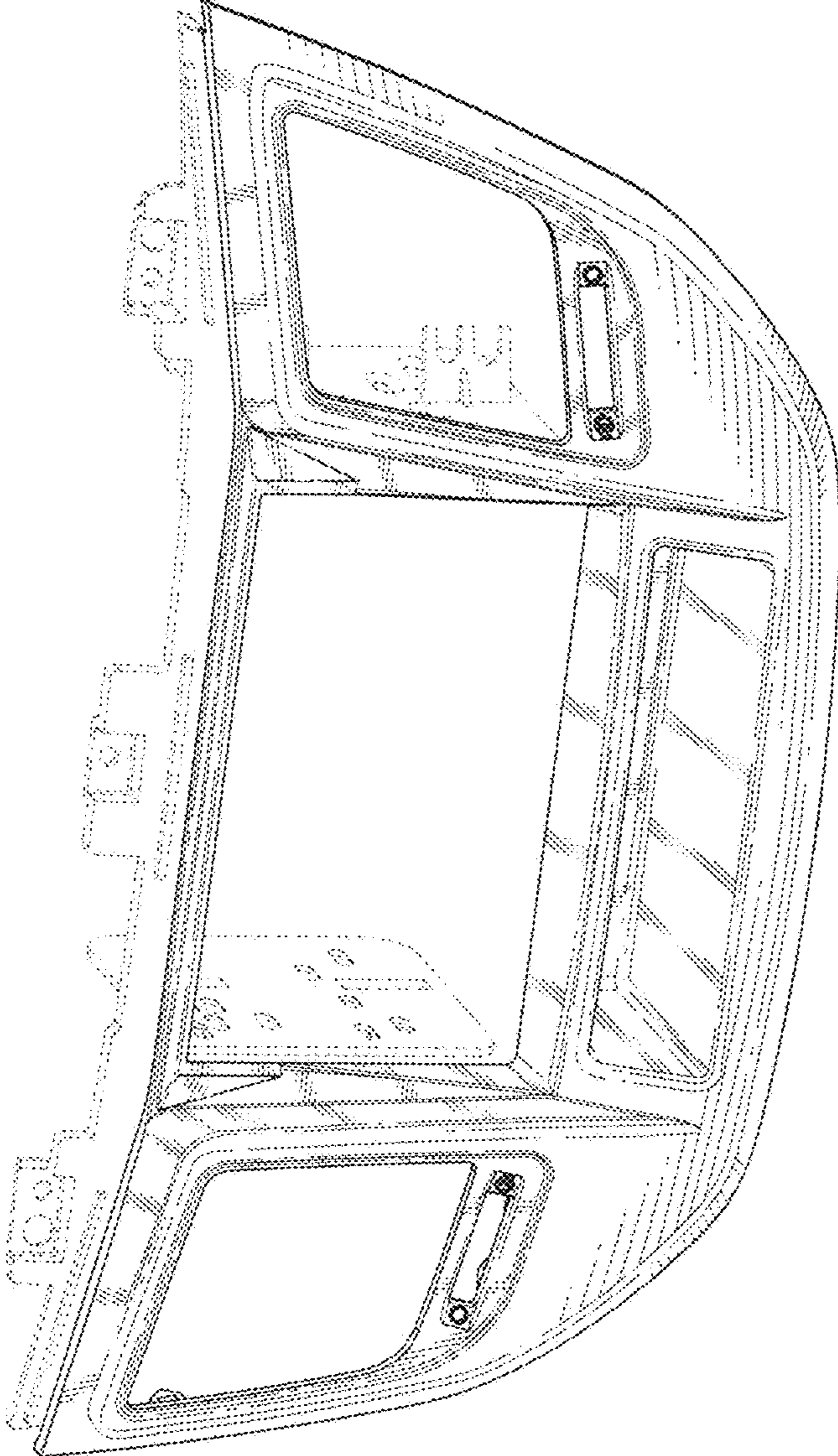


FIG. 1

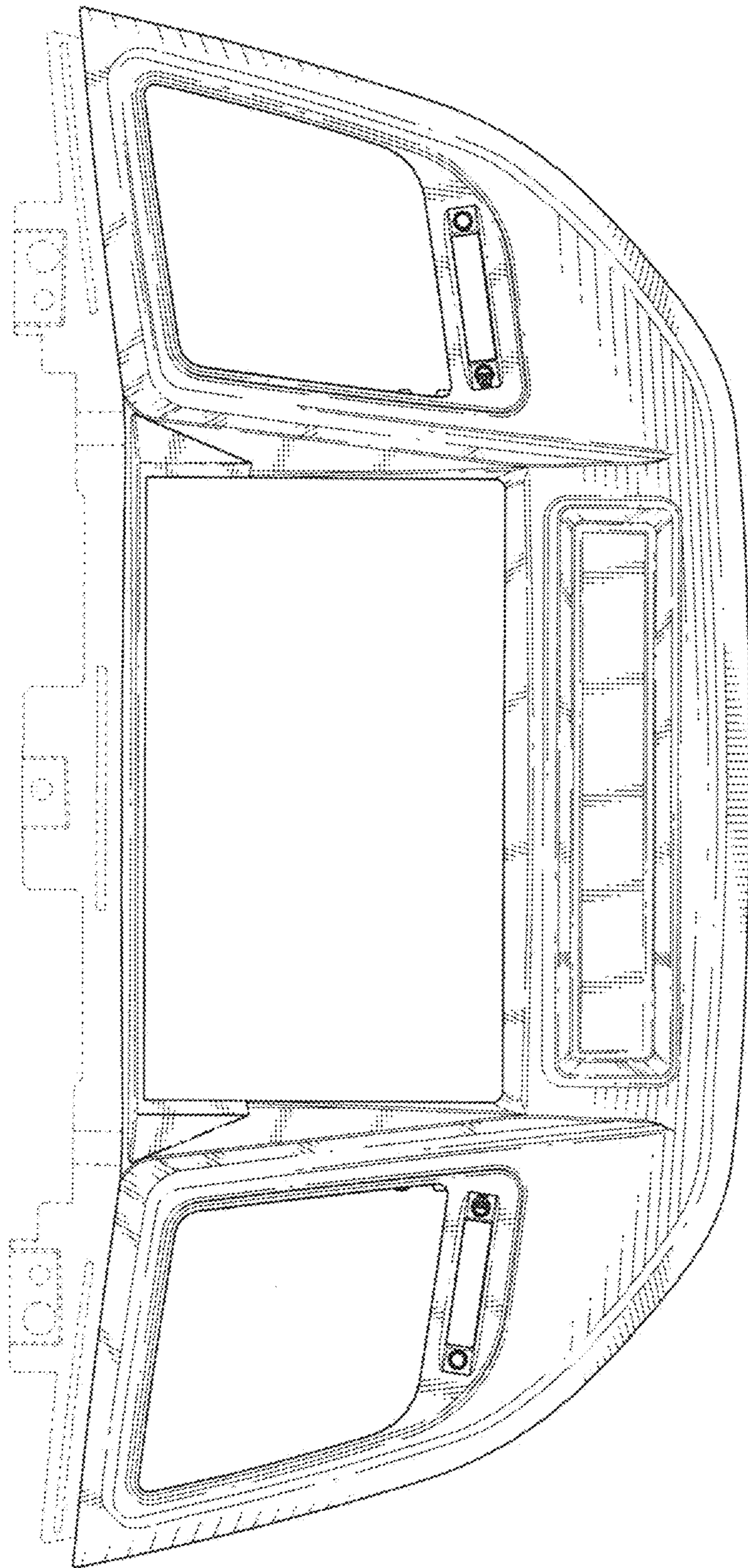


FIG. 2

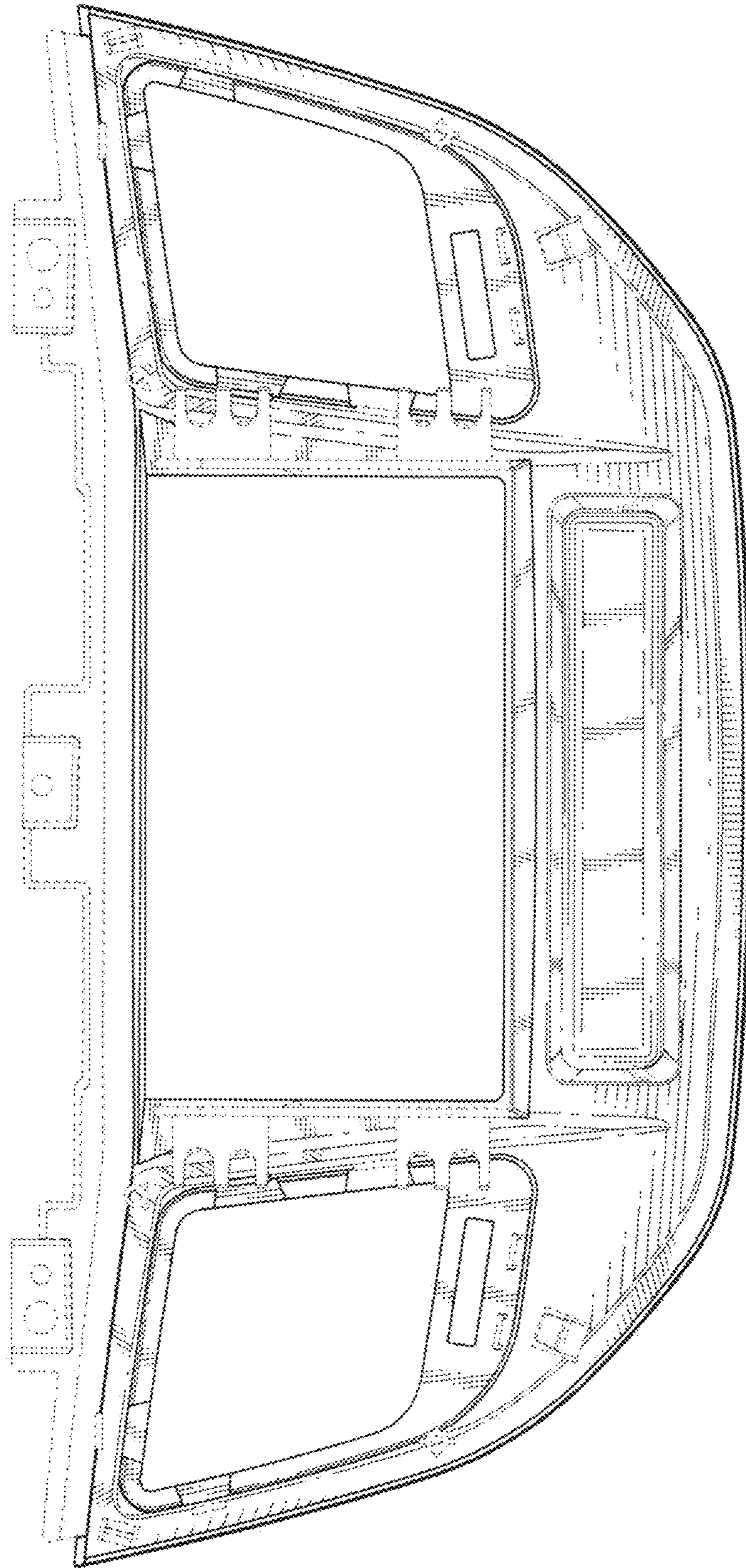


FIG. 3

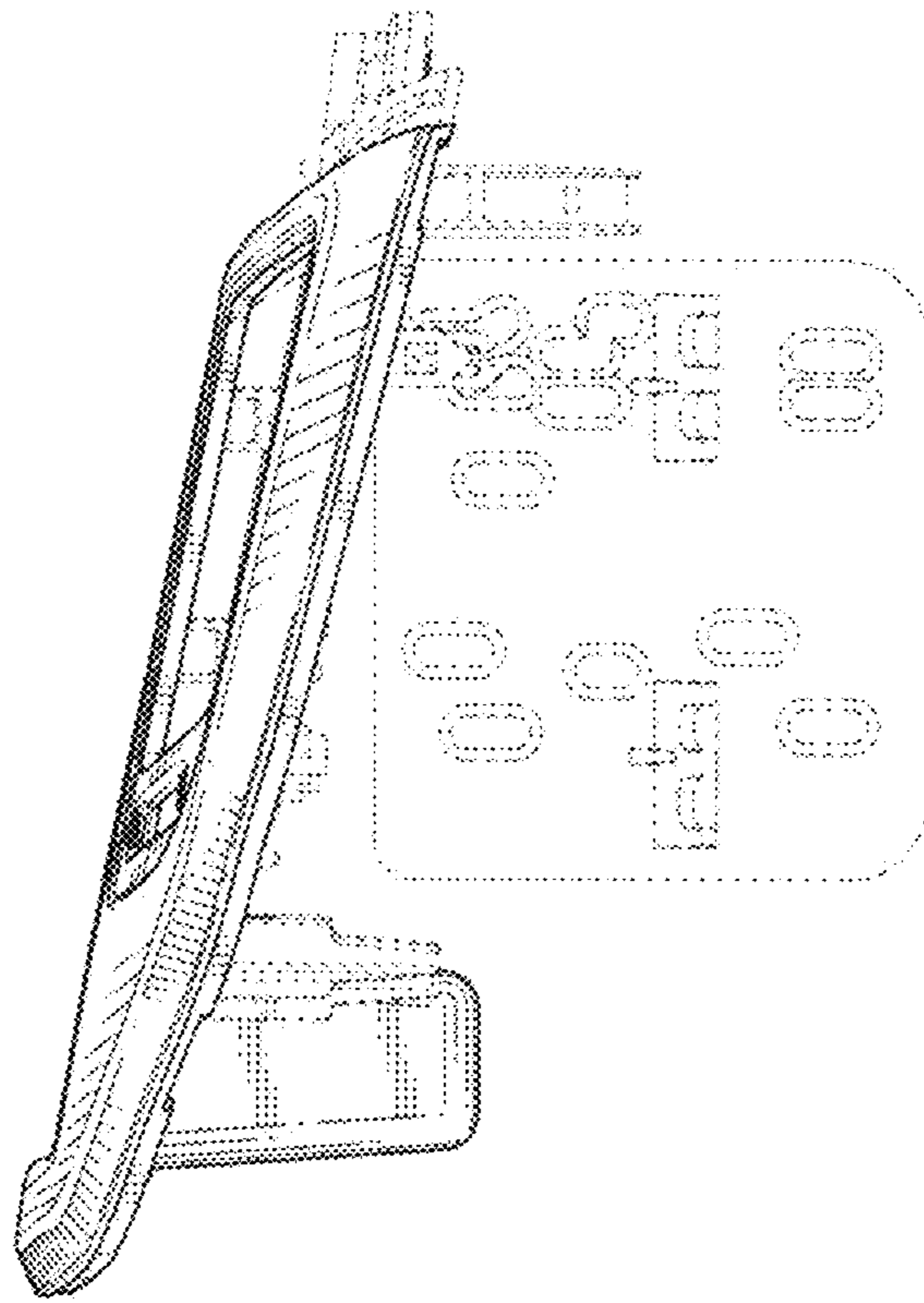


FIG. 4

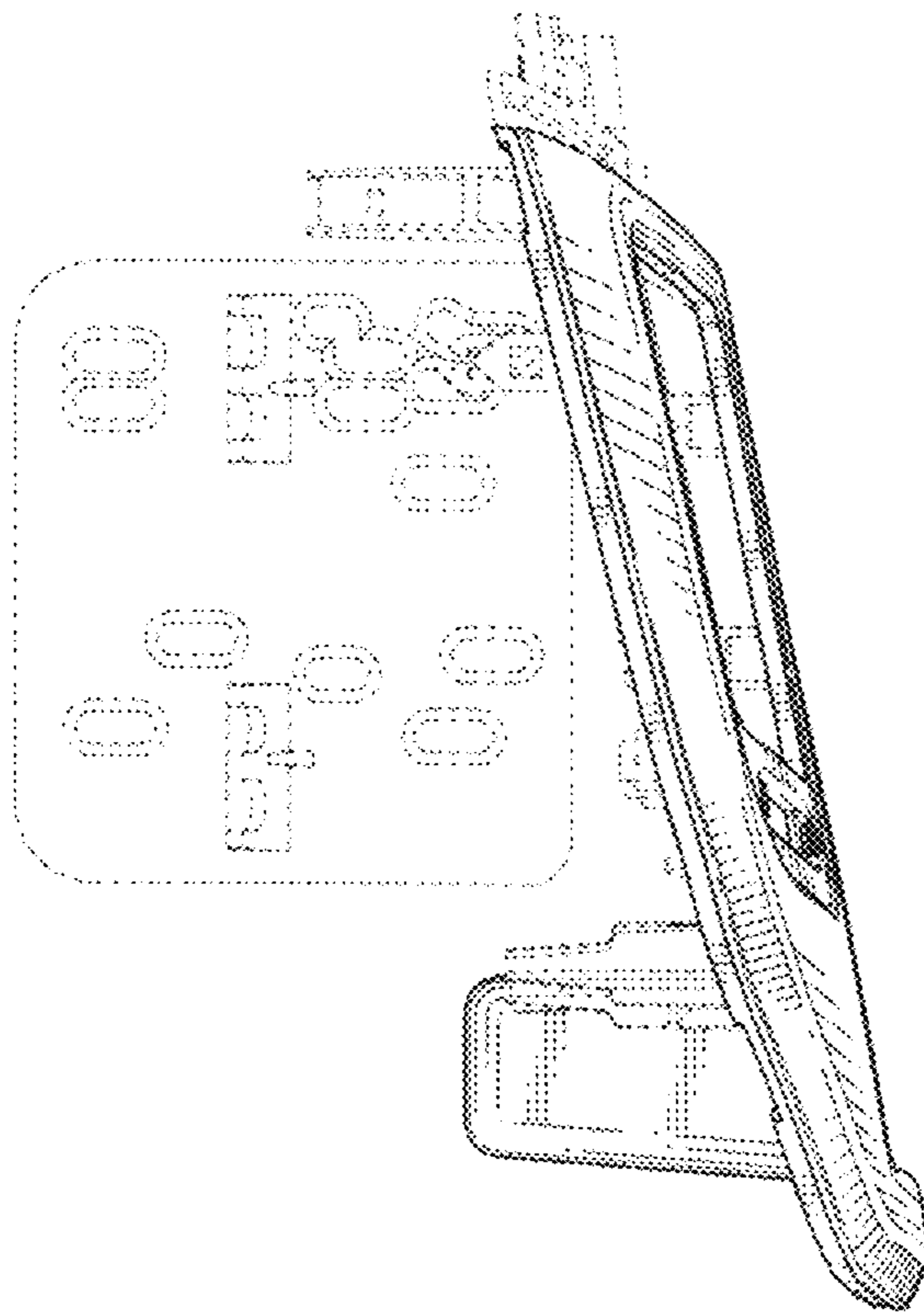


FIG. 5

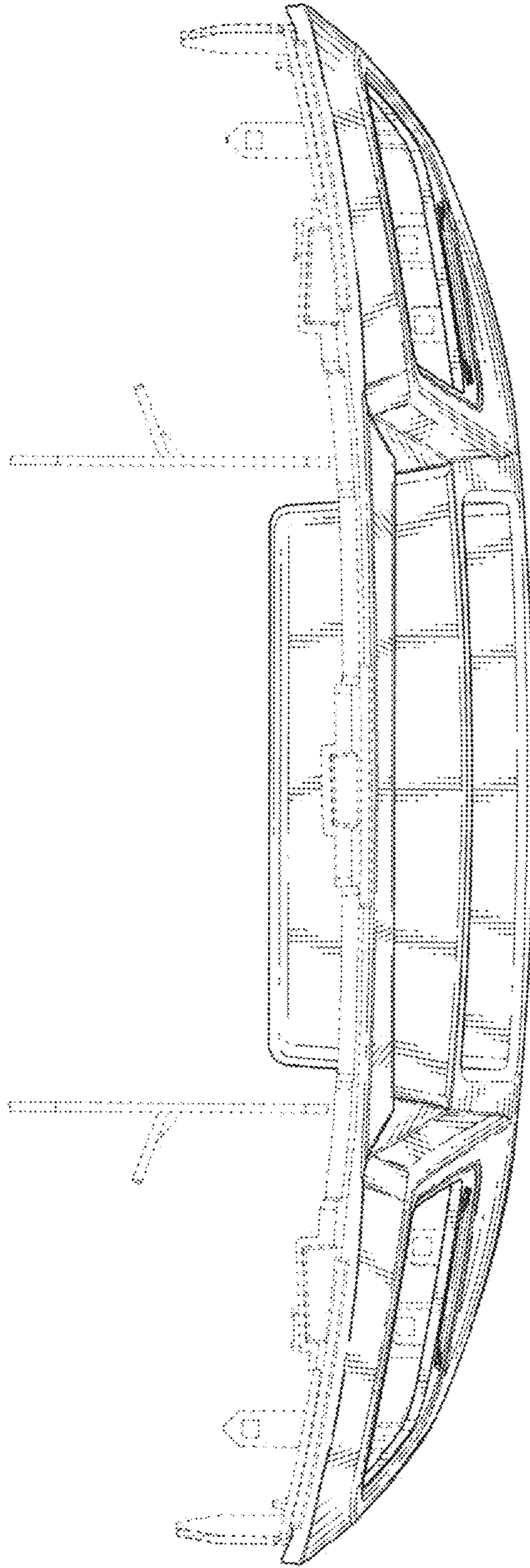


FIG. 6

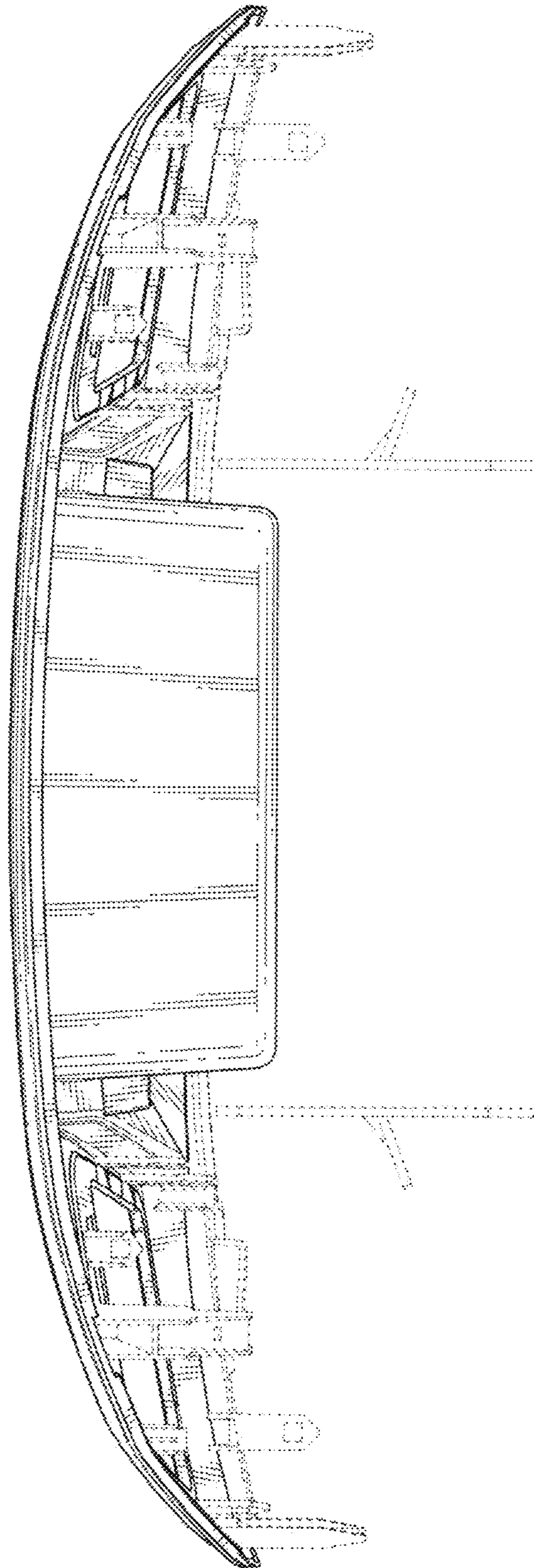


FIG. 7