



US00D789343S

(12) **United States Design Patent**  
**Hawes et al.**

(10) **Patent No.:** **US D789,343 S**  
(45) **Date of Patent:** **\*\* Jun. 13, 2017**

(54) **PHONE CASE WITH CHARGER**  
(71) Applicant: **Altria Client Services LLC**  
(72) Inventors: **Eric Hawes**, Midlothian, VA (US);  
**Terry Bache**, Richmond, VA (US);  
**David Schiff**, Highland Park, NJ (US);  
**Mathieu Turpault**, Pennington, NJ  
(US); **Tom Murray**, Philadelphia, PA  
(US)  
(73) Assignee: **Altria Client Services LLC**,  
Richmond, VA (US)

(\*\*) Term: **14 Years**

(21) Appl. No.: **29/499,019**

(22) Filed: **Aug. 11, 2014**

(51) **LOC (10) Cl.** ..... **14-03**

(52) **U.S. Cl.**  
USPC ..... **D14/250**

(58) **Field of Classification Search**  
USPC ..... D14/238.1, 250, 440, 203.3–203.7, 217,  
D14/240, 248, 251–253, 447, 496;  
D3/201, 218, 247, 269, 273, 301, 303;  
D13/103, 107–108, 119  
CPC ..... H04B 1/3888; H04M 1/0283; H04M  
1/0202; A45C 1/06; A45C 11/00; A45C  
13/02; A45C 2011/002; A45F 2005/026;  
A45F 2200/0525; A45F 2200/0516  
See application file for complete search history.

(56) **References Cited**

**U.S. PATENT DOCUMENTS**

D328,733 S *	8/1992	Seymour .....	D13/103
D349,093 S *	7/1994	Alexandres .....	D13/103
D350,328 S *	9/1994	Alexandres .....	D13/103
D358,128 S *	5/1995	Berry .....	D13/103
D359,267 S *	6/1995	Berry .....	D13/103
D378,366 S *	3/1997	Nagele .....	D13/103

D379,962 S *	6/1997	Nuovo .....	D13/103
D384,327 S *	9/1997	Nakui .....	D13/103
D395,278 S *	6/1998	Nakui .....	D13/103
D398,580 S *	9/1998	Richards .....	D13/119
D400,497 S *	11/1998	Sabag .....	D13/103
D402,257 S *	12/1998	Richards .....	D13/103
D403,265 S *	12/1998	Nagele .....	D13/119
D421,957 S *	3/2000	Waldner .....	D13/103
D425,906 S *	5/2000	Finkbeiner .....	D14/248
D427,563 S *	7/2000	Waldner .....	D13/103
D431,226 S *	9/2000	Frye .....	D13/103
D447,461 S *	9/2001	Heong .....	D13/103
D460,944 S *	7/2002	Ahlgren .....	D13/119
D499,722 S *	12/2004	Widiaman .....	D14/248

(Continued)

*Primary Examiner* — Carla Jobe Wright

(74) *Attorney, Agent, or Firm* — Harness, Dickey &  
Pierce, P.L.C.

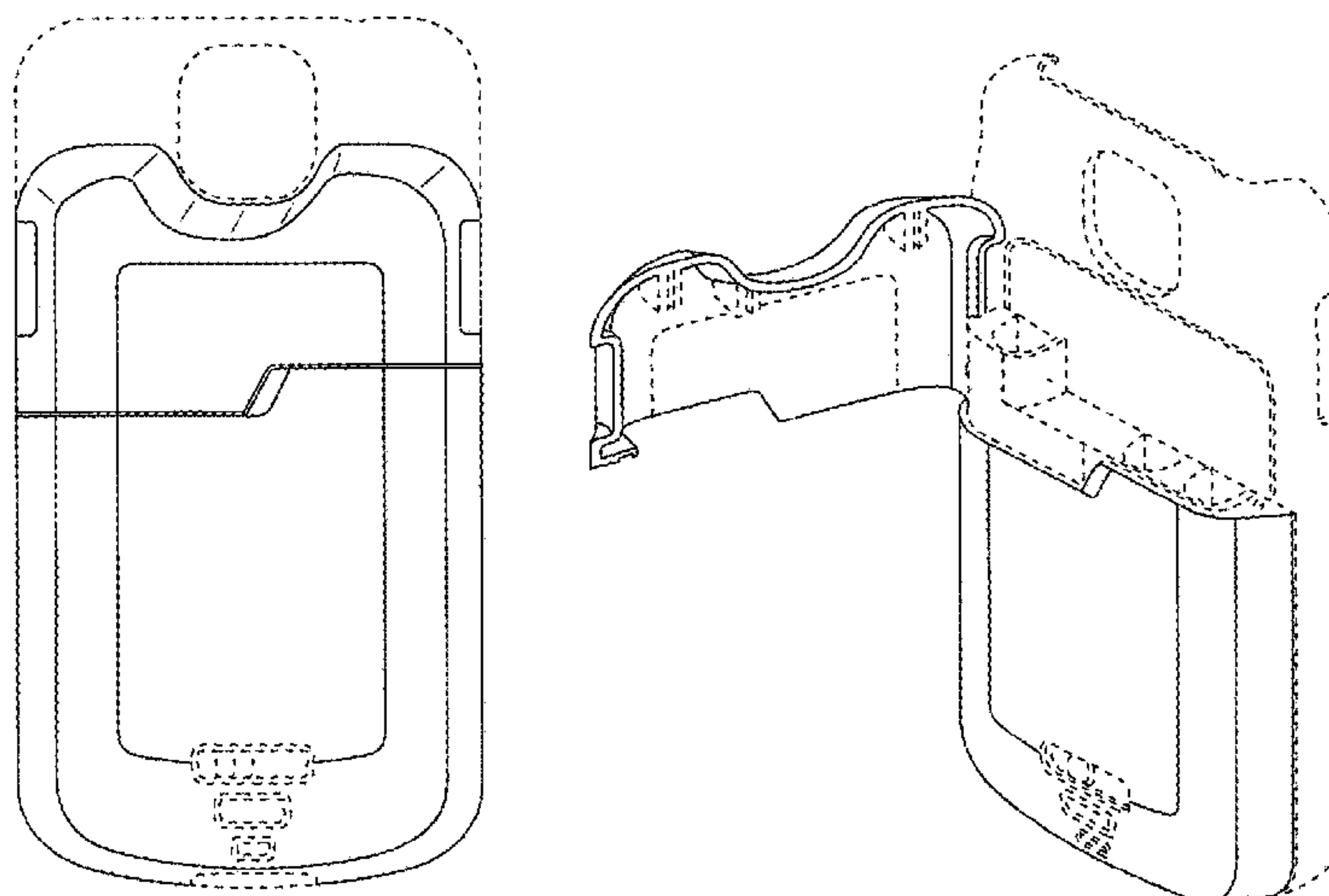
(57) **CLAIM**

The ornamental design for a phone case with charger, as shown and described.

**DESCRIPTION**

FIG. 1 is a rear perspective view of a phone case with charger showing our new design with the charging door in a closed position.  
FIG. 2 is a front elevational view thereof.  
FIG. 3 is a rear elevational view thereof.  
FIG. 4 is a left side elevational view thereof.  
FIG. 5 is a right side elevational view thereof.  
FIG. 6 is a top plan view thereof.  
FIG. 7 is a bottom plan view thereof.  
FIG. 8 is a perspective view thereof with the charging door in an open position; and,  
FIG. 9 is a top plan view thereof with the charging door in an open position.  
The portions of the phone case shown in broken lines are for environmental purposes only and form no part of the claimed design.

**1 Claim, 9 Drawing Sheets**



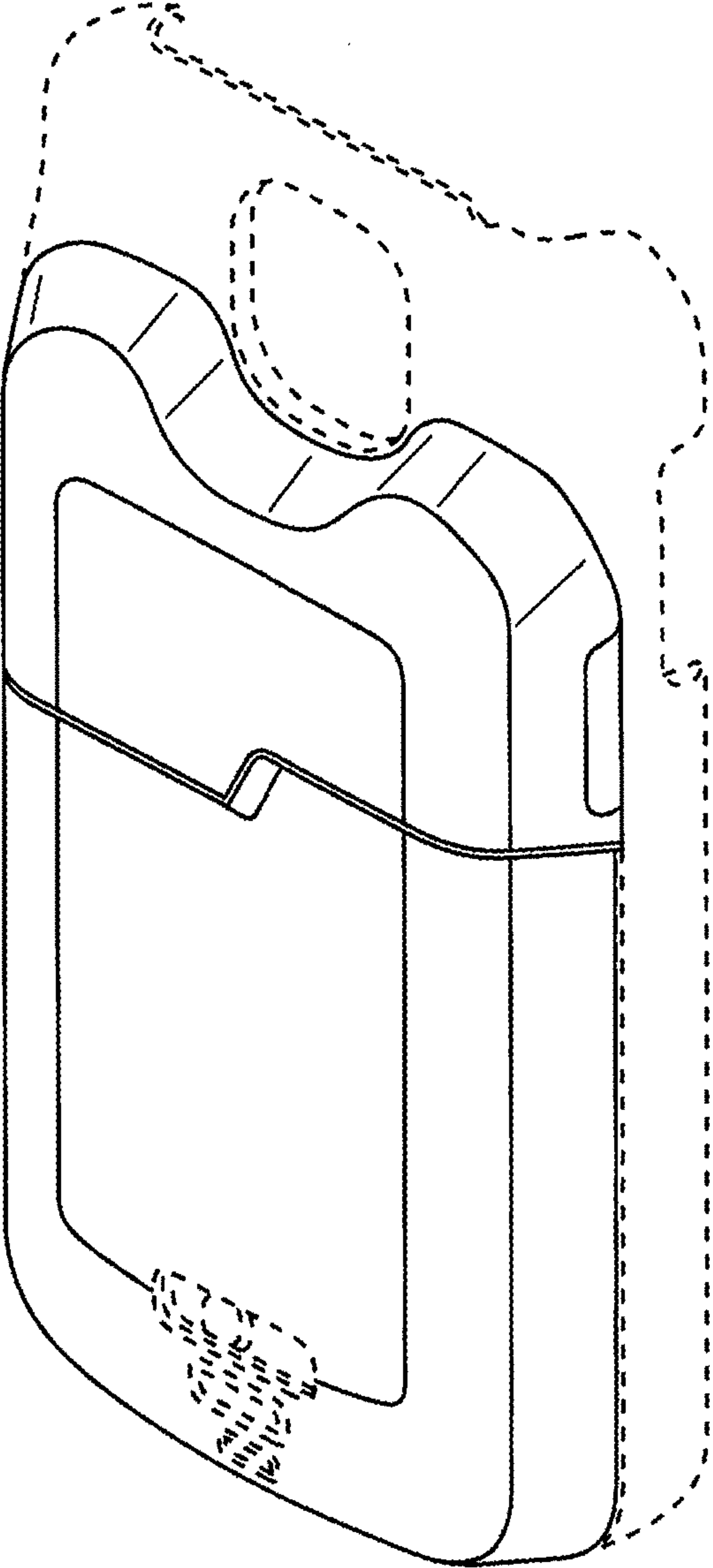
(56)

**References Cited**

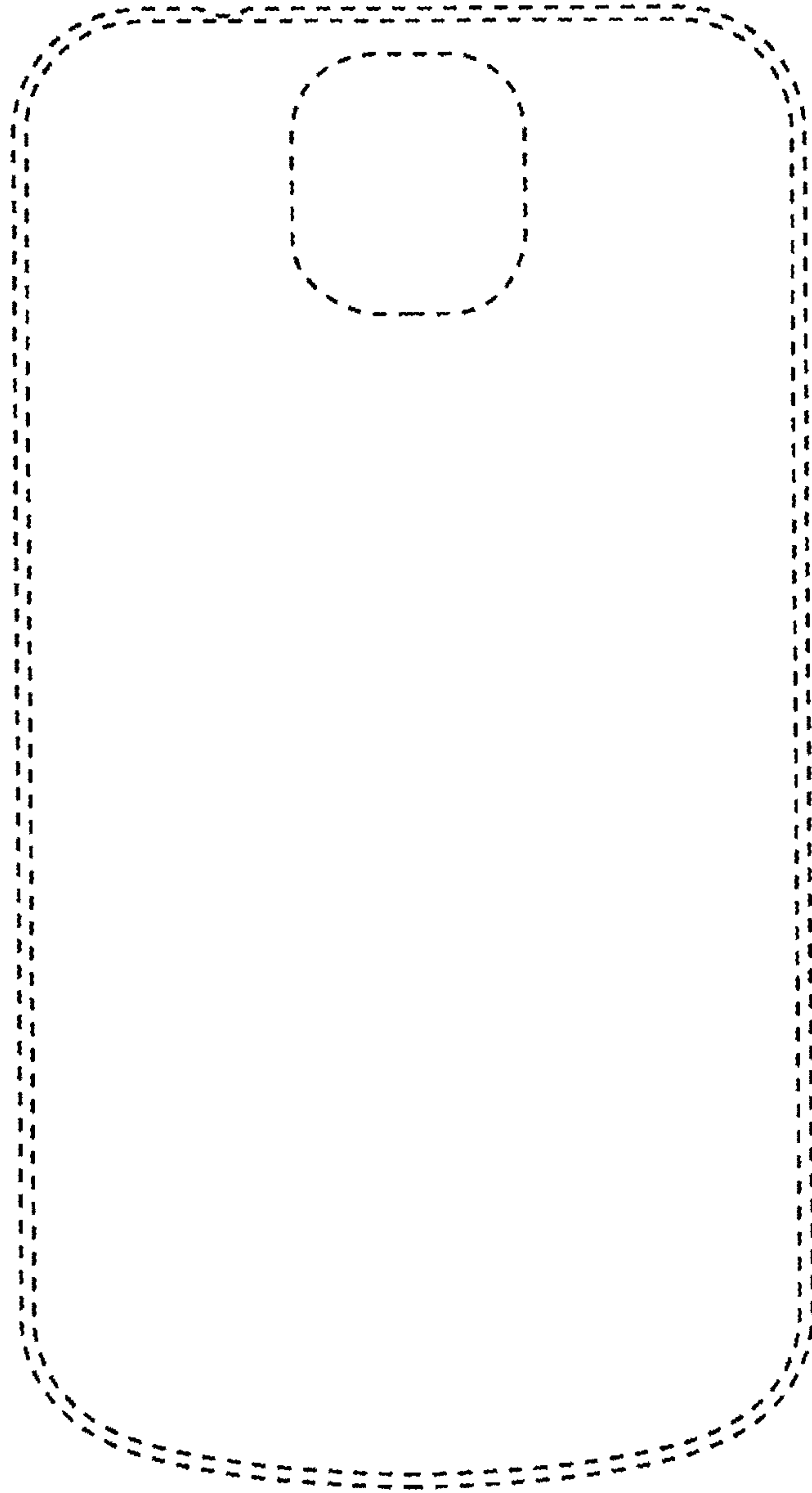
## U.S. PATENT DOCUMENTS

D539,277	S	*	3/2007	Okada	.....	D13/103
D542,286	S	*	5/2007	Taniyama	.....	D13/103
D562,760	S	*	2/2008	Hanks	.....	D13/103
D603,855	S	*	11/2009	Nuovo	.....	D13/103
D621,393	S	*	8/2010	Panahi	.....	D13/103
D623,640	S	*	9/2010	Freeman	.....	D14/250
D624,064	S	*	9/2010	Esposito	.....	D14/250
D654,068	S	*	2/2012	Monaco	.....	D14/250
D662,044	S	*	6/2012	Lemelman	.....	D13/103
D679,684	S	*	4/2013	Baker	.....	D14/250
D686,199	S	*	7/2013	Fahrendorff	.....	D14/250
D688,654	S	*	8/2013	Stevinson	.....	D14/250
D688,655	S	*	8/2013	Rey-Hipolito	.....	D14/250
D698,772	S	*	2/2014	Merenda	.....	D14/250
D703,651	S	*	4/2014	Ehrlich	.....	D14/250
D705,763	S	*	5/2014	Fastman	.....	D14/250
D710,346	S	*	8/2014	Smith	.....	D14/250
D713,396	S	*	9/2014	Tsai	.....	D14/250
D719,950	S	*	12/2014	Smith	.....	D14/250
D720,740	S	*	1/2015	Wicks	.....	D14/250
D723,019	S	*	2/2015	Chan	.....	D14/250
D723,532	S	*	3/2015	Stevinson	.....	D14/250
D728,551	S	*	5/2015	Saeki	.....	D14/250
D730,344	S	*	5/2015	Hemesath	.....	D14/250
D740,268	S	*	10/2015	O'Neill	.....	D14/250
D751,542	S	*	3/2016	Daniel	.....	D14/250
2016/0099592	A1	*	4/2016	Gatta	.....	H02J 7/0042 320/107

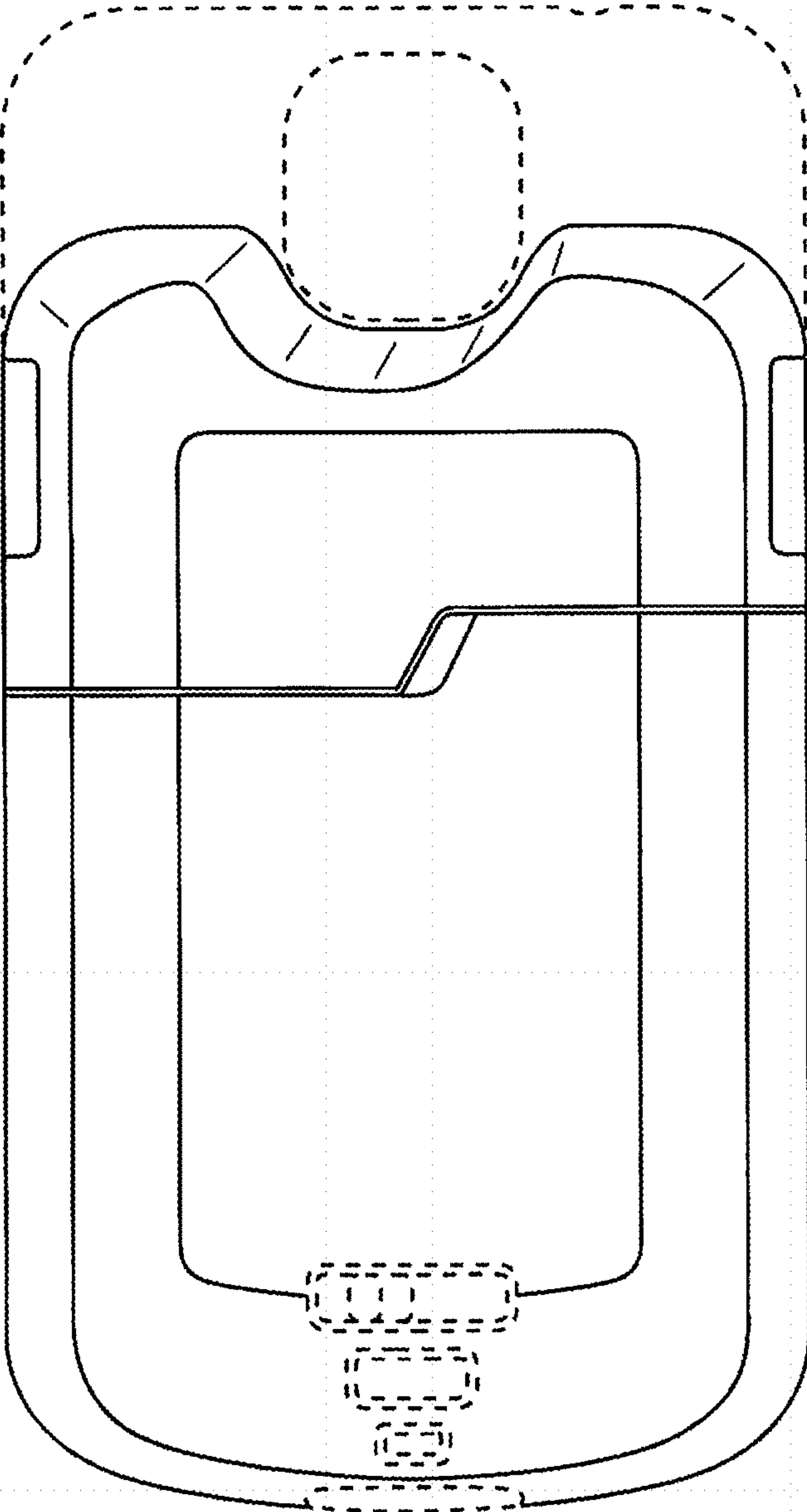
\* cited by examiner



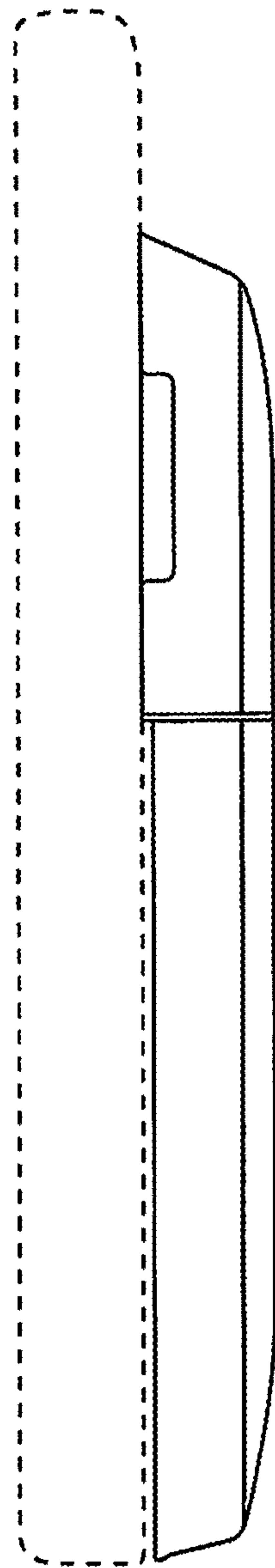
**FIG. 1**



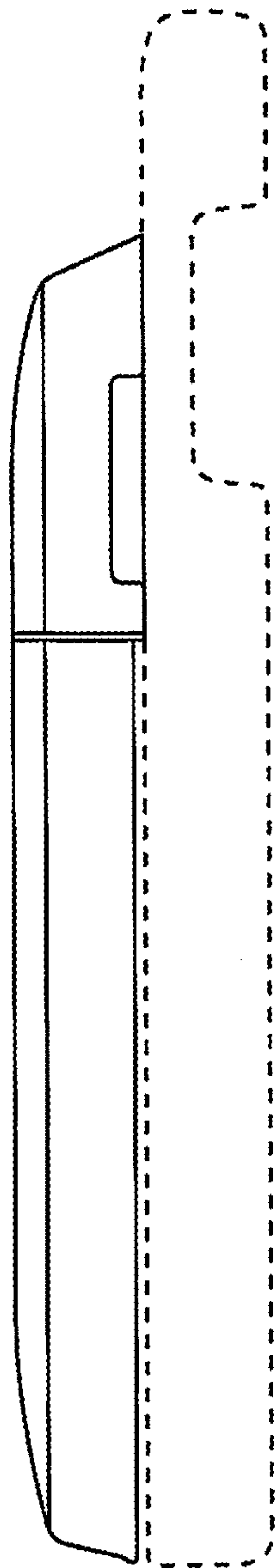
**FIG. 2**



**FIG. 3**

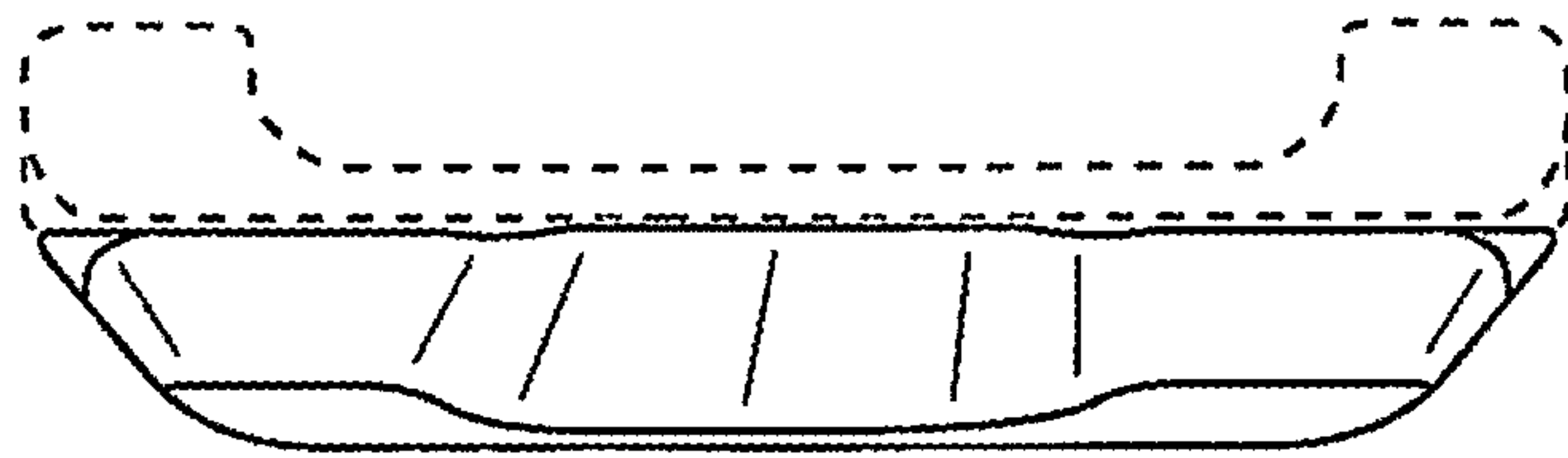


**FIG. 4**



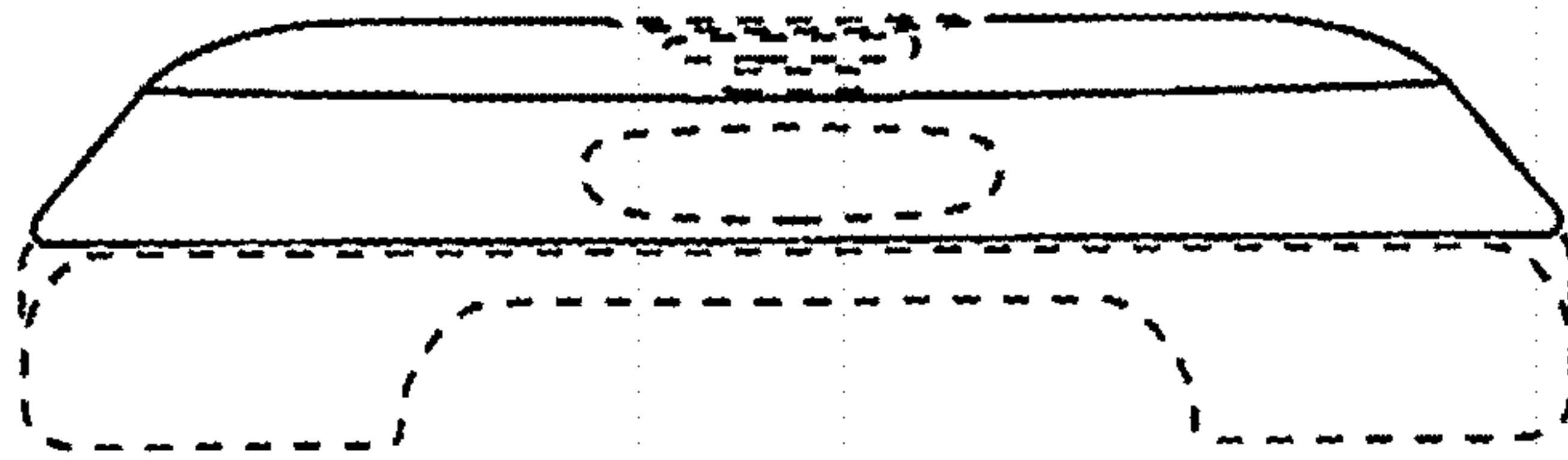
**FIG. 5**



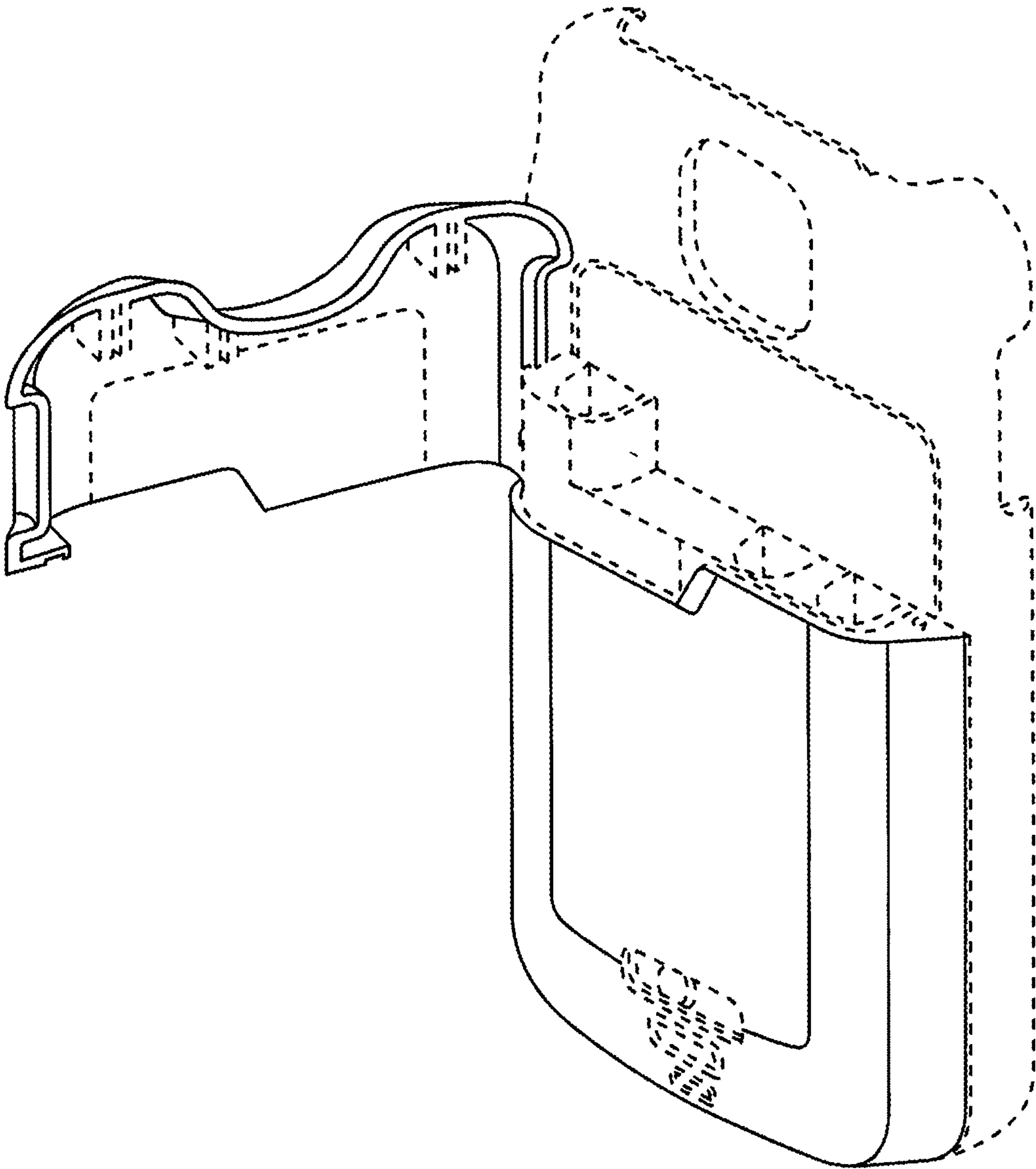


**FIG. 6**

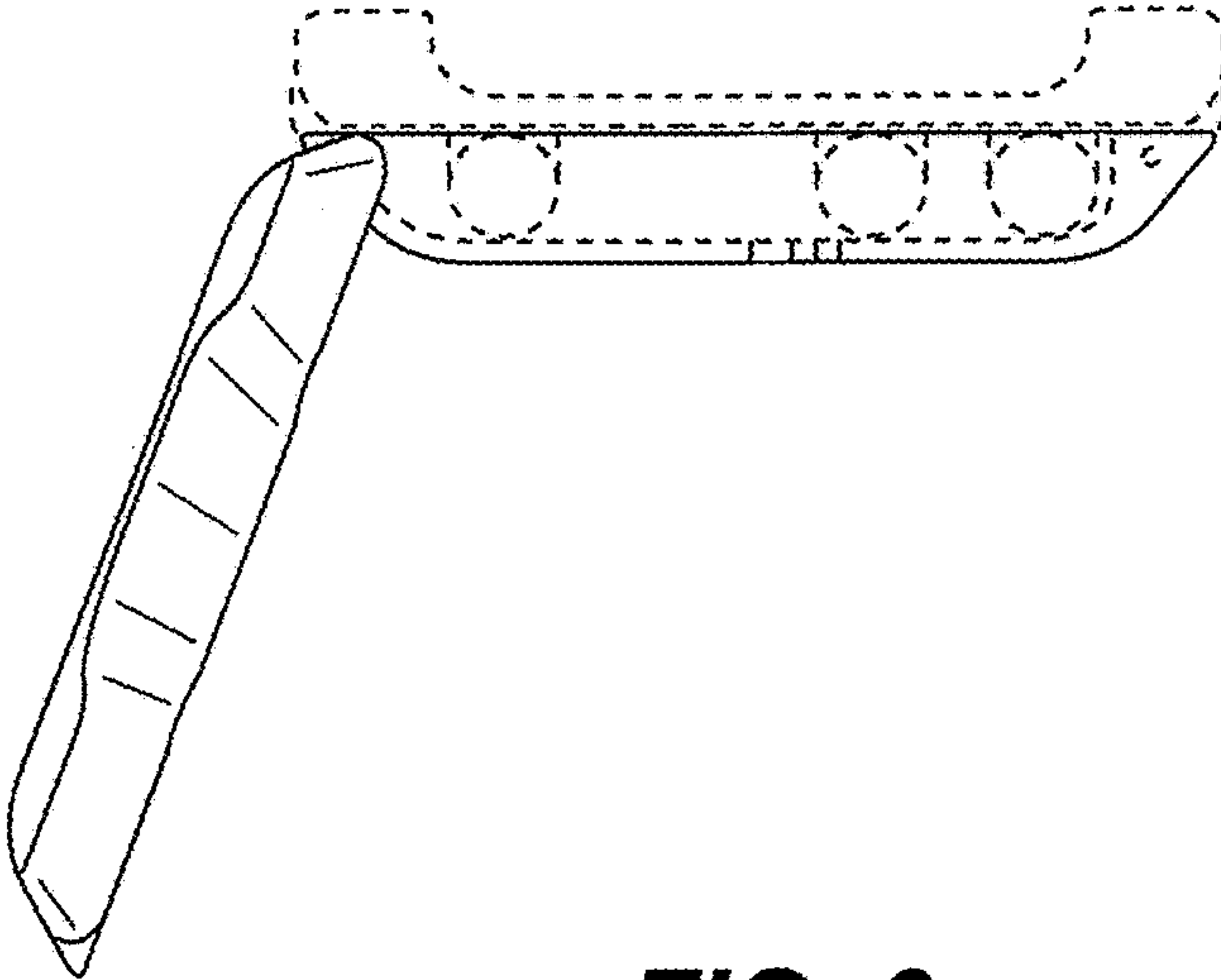




**FIG. 7**



**FIG. 8**



**FIG. 9**