



US00D789341S

(12) **United States Design Patent**
Brown et al.

(10) **Patent No.:** **US D789,341 S**
(45) **Date of Patent:** **** Jun. 13, 2017**

(54) **CASE WITH BUTTONS**

(71) Applicant: **Global Cellular, Inc.**, Alpharetta, GA (US)

(72) Inventors: **Joseph Brown**, Alpharetta, GA (US);
Nagaraja Rao Vyasateja
Jyothigowdanapura, Mysore (IN)

(73) Assignee: **Global Cellular, Inc.**, Alpharetta, GA (US)

(**) Term: **14 Years**

(21) Appl. No.: **29/490,630**

(22) Filed: **May 12, 2014**

(51) **LOC (10) Cl.** **14-01**

(52) **U.S. Cl.**
USPC **D14/250**

(58) **Field of Classification Search**
USPC D14/250–253, 440, 203.3–203.7, 217,
D14/496, 248, 238.1, 240, 447, 230, 247,
D14/341, 345, 346, 439; D3/201, 218,
D3/269, 301, 273, 303, 247, 249;
D13/103, 107–108, 119; D11/178.1;
D19/10; 361/679.56; 379/426, 433.11,
379/455; 455/75.1, 575.8; 190/100;
206/305, 320; 220/4.02; 248/309.1
CPC . A45C 2011/002; A45C 11/00; A45C 13/002;
A45C 2011/003; H04M 1/0283; H04M
1/0202
See application file for complete search history.

(56) **References Cited**

U.S. PATENT DOCUMENTS

D530,680 S * 10/2006 Fox D13/168
D558,740 S * 1/2008 Jaakkola D14/223

D611,959 S * 3/2010 Chia D14/496
D710,828 S * 8/2014 Liu D14/218
D729,210 S * 5/2015 Behar D14/218
D734,302 S * 7/2015 Won D14/218
D754,205 S * 4/2016 Nguyen D14/203.3
D754,206 S * 4/2016 Nguyen D14/203.3
2011/0284407 A1 * 11/2011 Connolly A45C 1/06
206/320
2015/0068935 A1 * 3/2015 Kay A45C 13/36
206/320

* cited by examiner

Primary Examiner — Sandra Snapp

Assistant Examiner — Holly E Thurman

(74) *Attorney, Agent, or Firm* — Kilpatrick Townsend & Stockton LLP

(57) **CLAIM**

The ornamental design for a case with buttons, as shown and described.

DESCRIPTION

FIG. 1 is an isometric view of the case with buttons showing our new design.

FIG. 2 is an enlarged isometric view of the encircled portion shown in FIG. 1.

FIG. 3 is an enlarged left side view thereof.

FIG. 4 is an enlarged front view thereof.

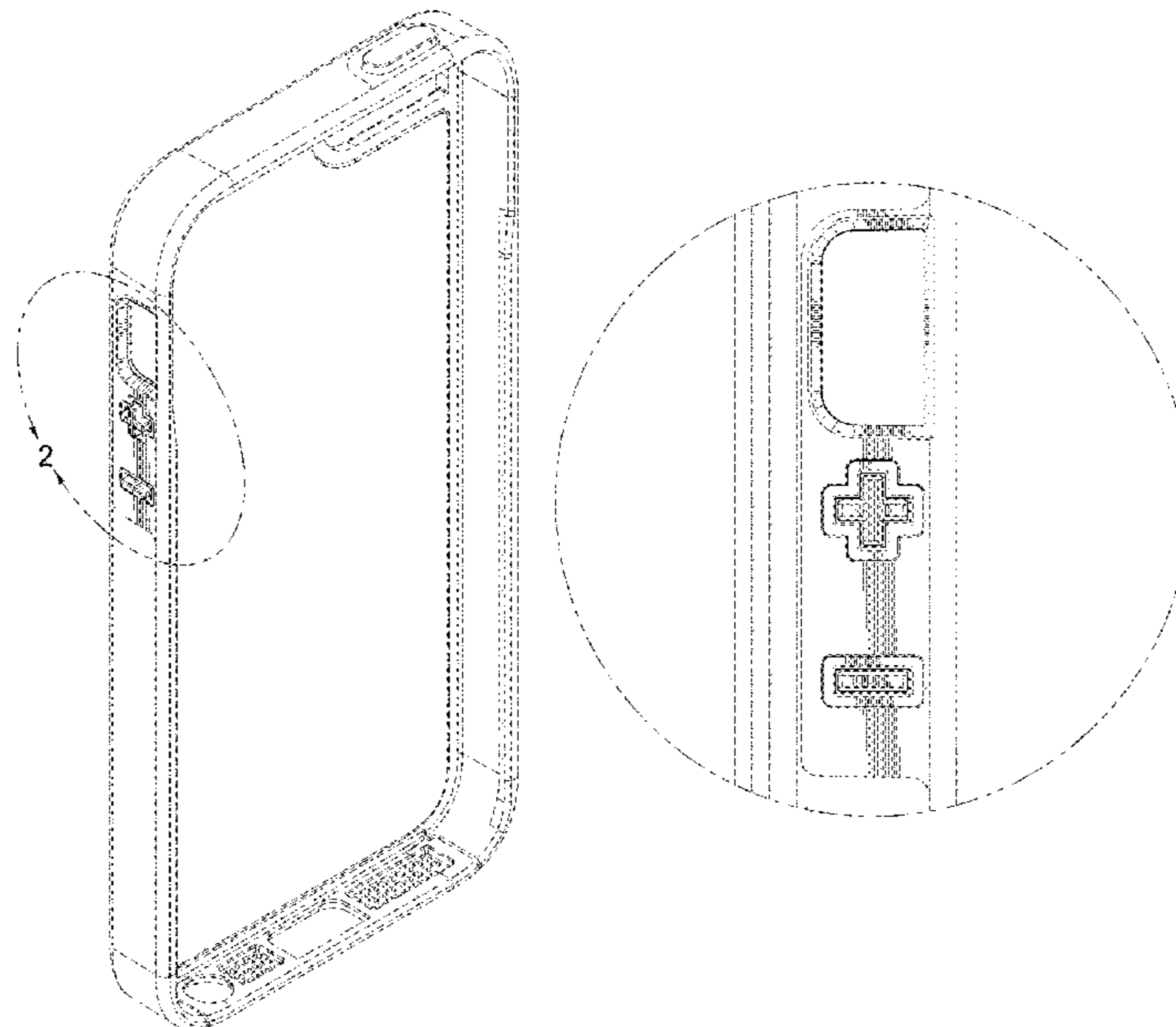
FIG. 5 is an enlarged rear view thereof.

FIG. 6 is an enlarged top view thereof; and,

FIG. 7 is an enlarged bottom view thereof.

The broken lines immediately adjacent shaded surfaces represent boundaries of the claimed design. The dot-dash broken lines enclose portions of the claimed design shown on an enlarged scale. All other broken lines depict unclaimed environmental subject matter. All broken lines form no part of the claimed design.

1 Claim, 5 Drawing Sheets



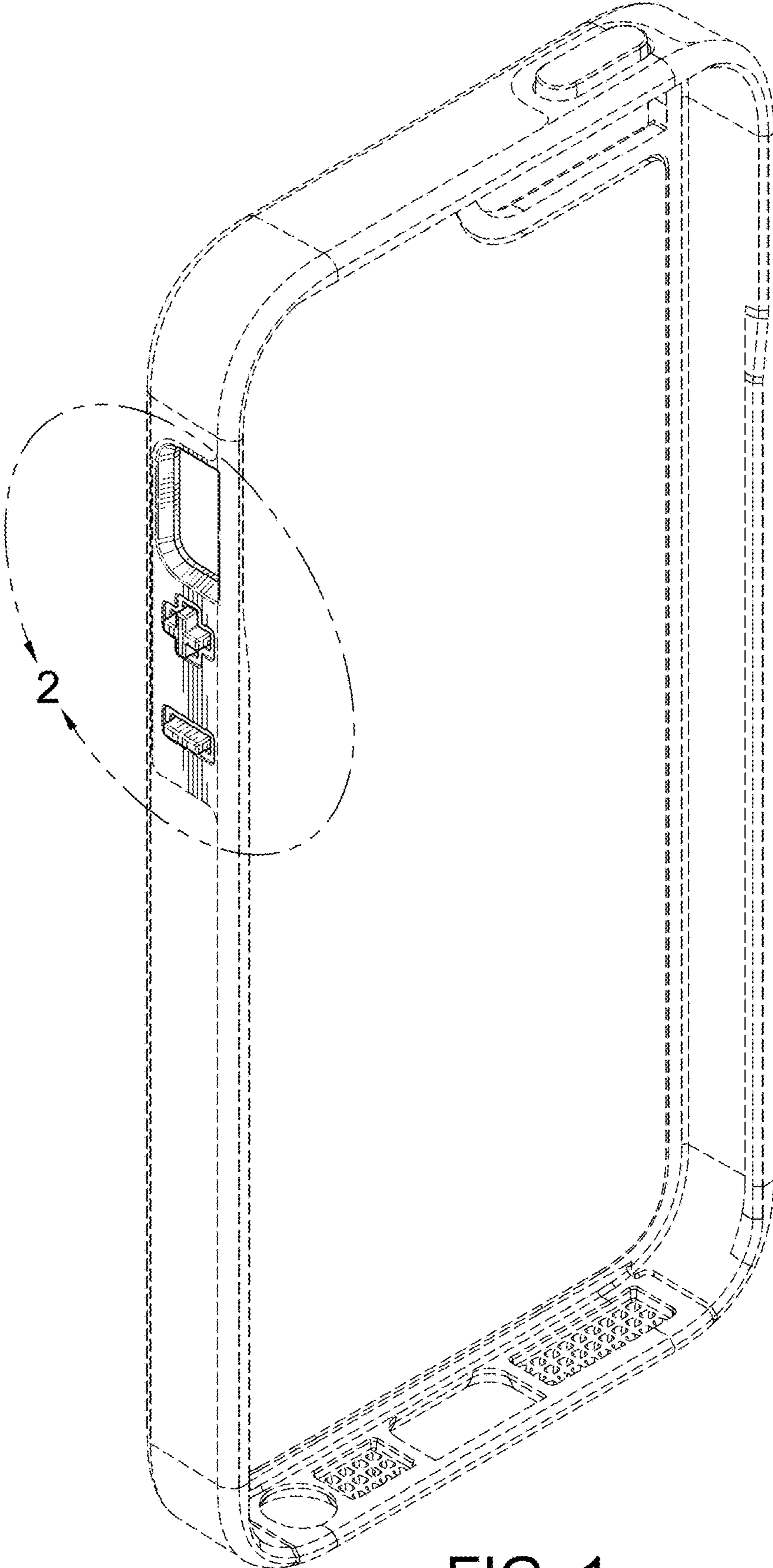


FIG. 1

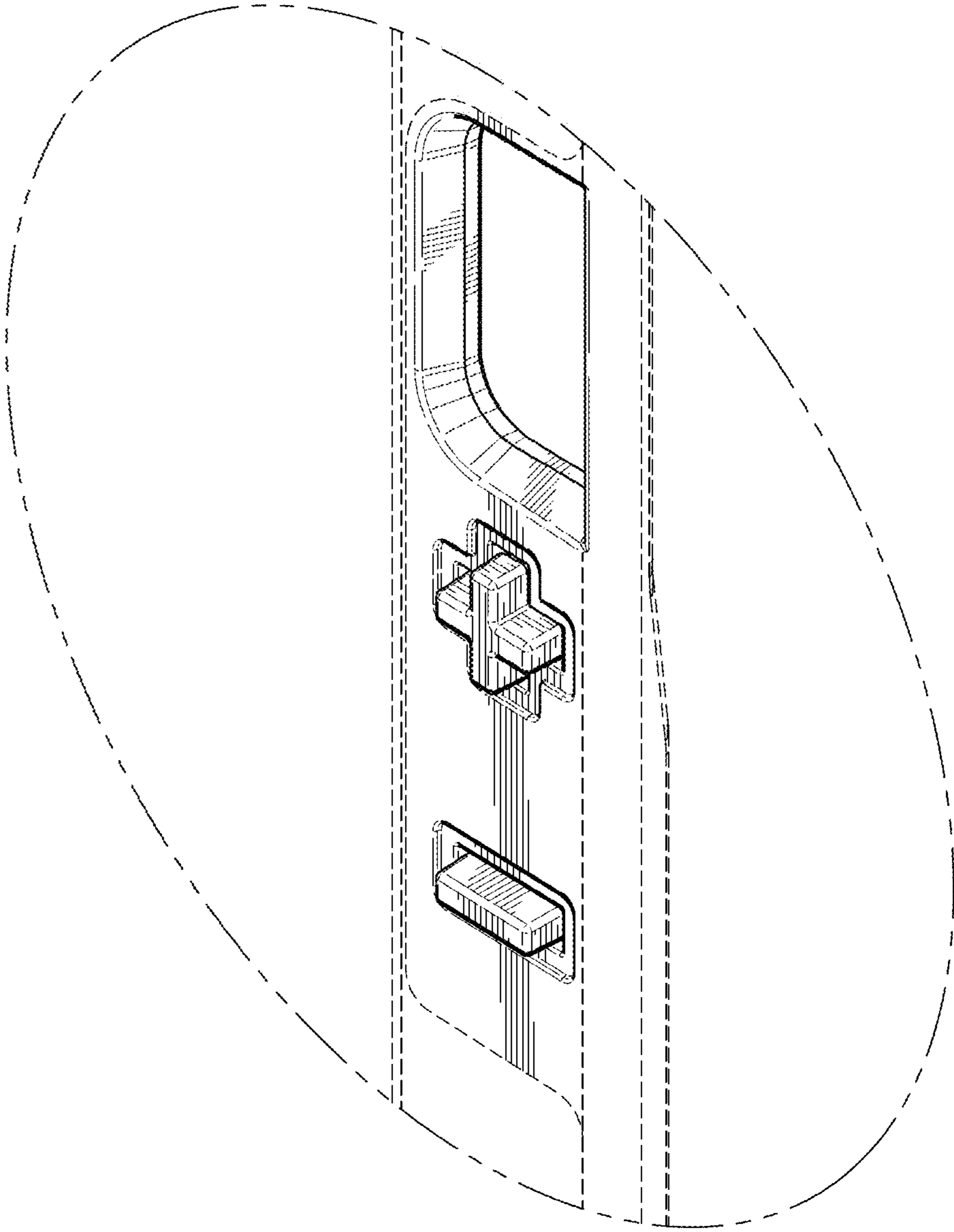


FIG. 2

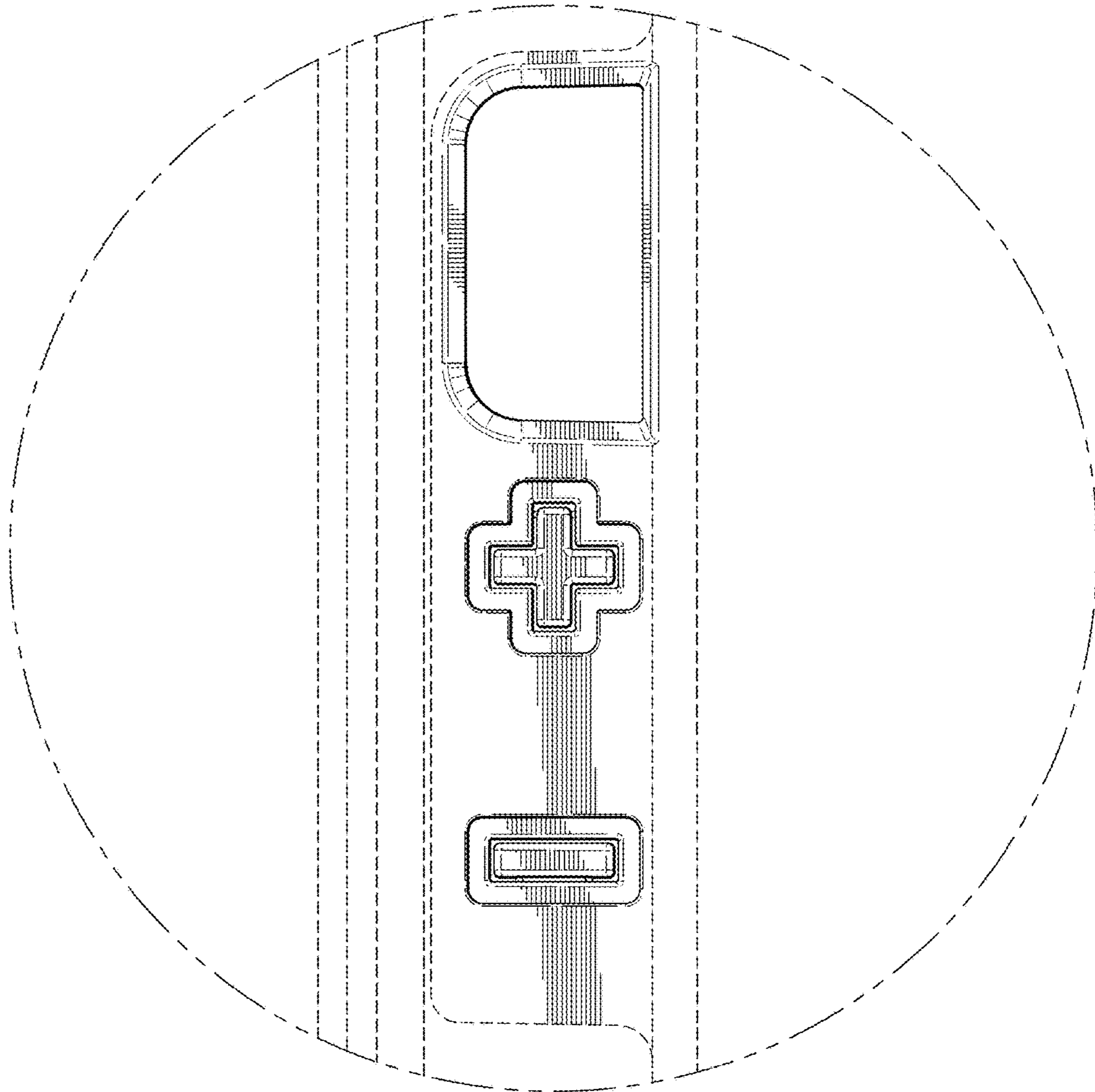


FIG. 3

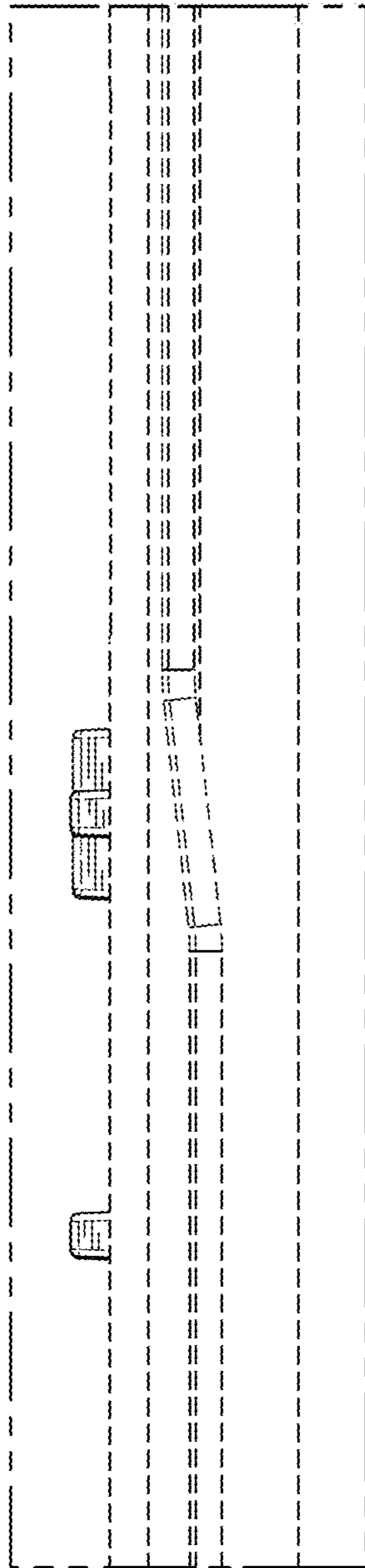


FIG. 4

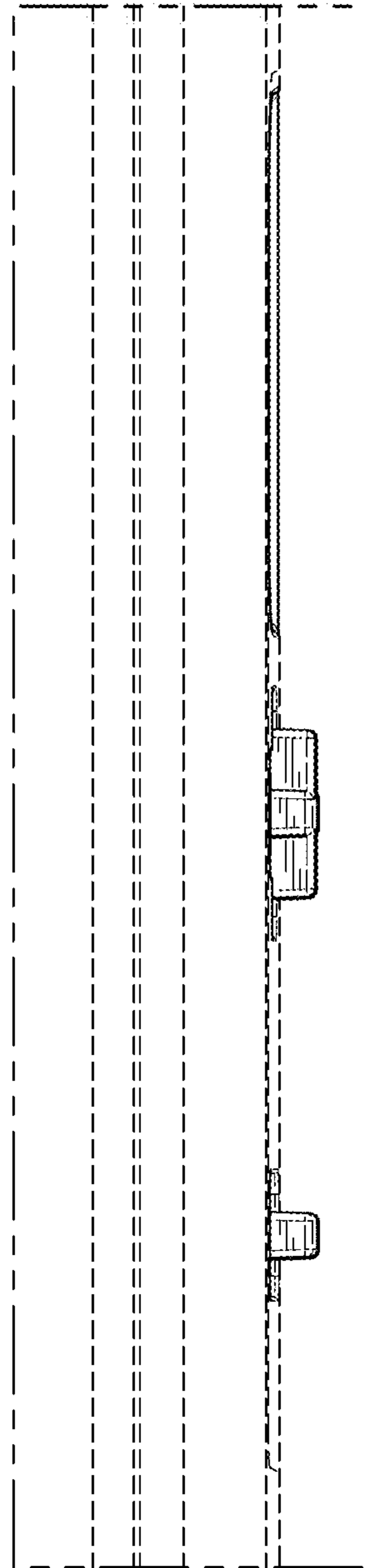


FIG. 5

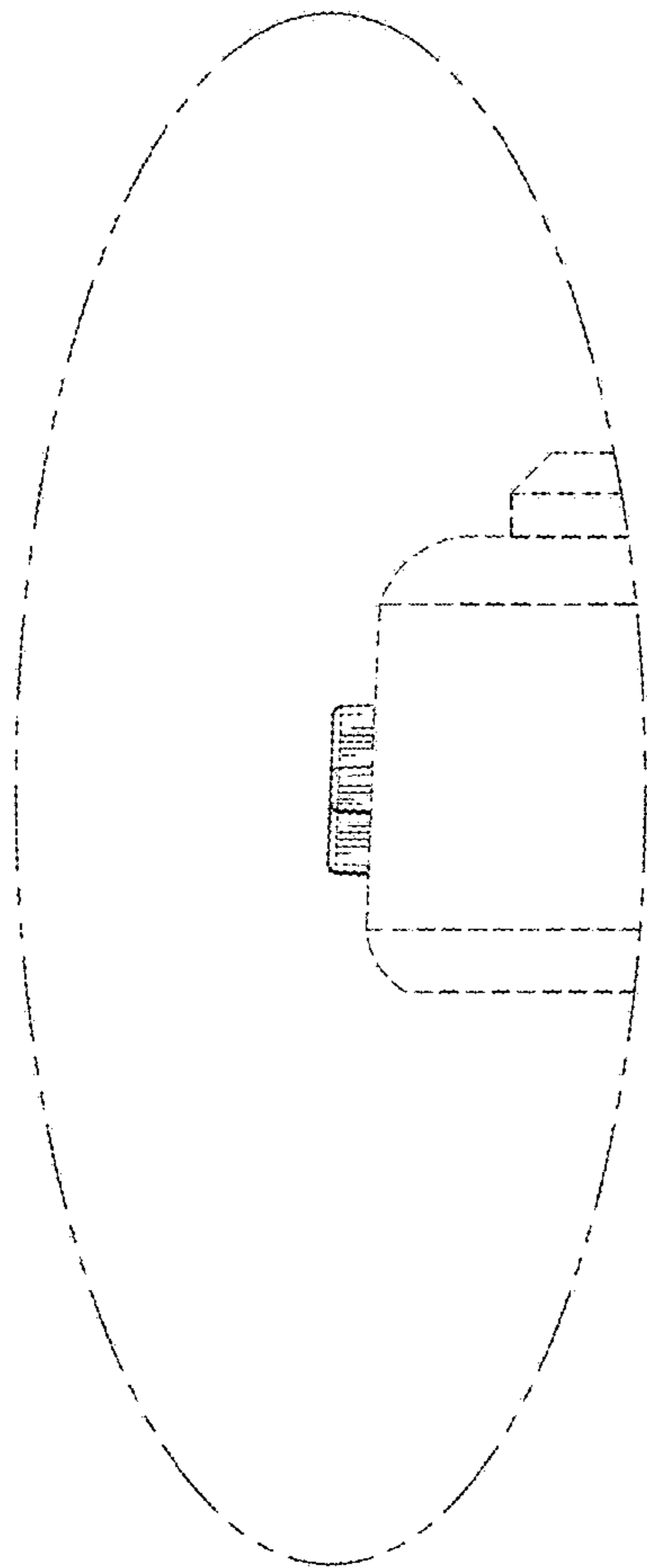


FIG. 6

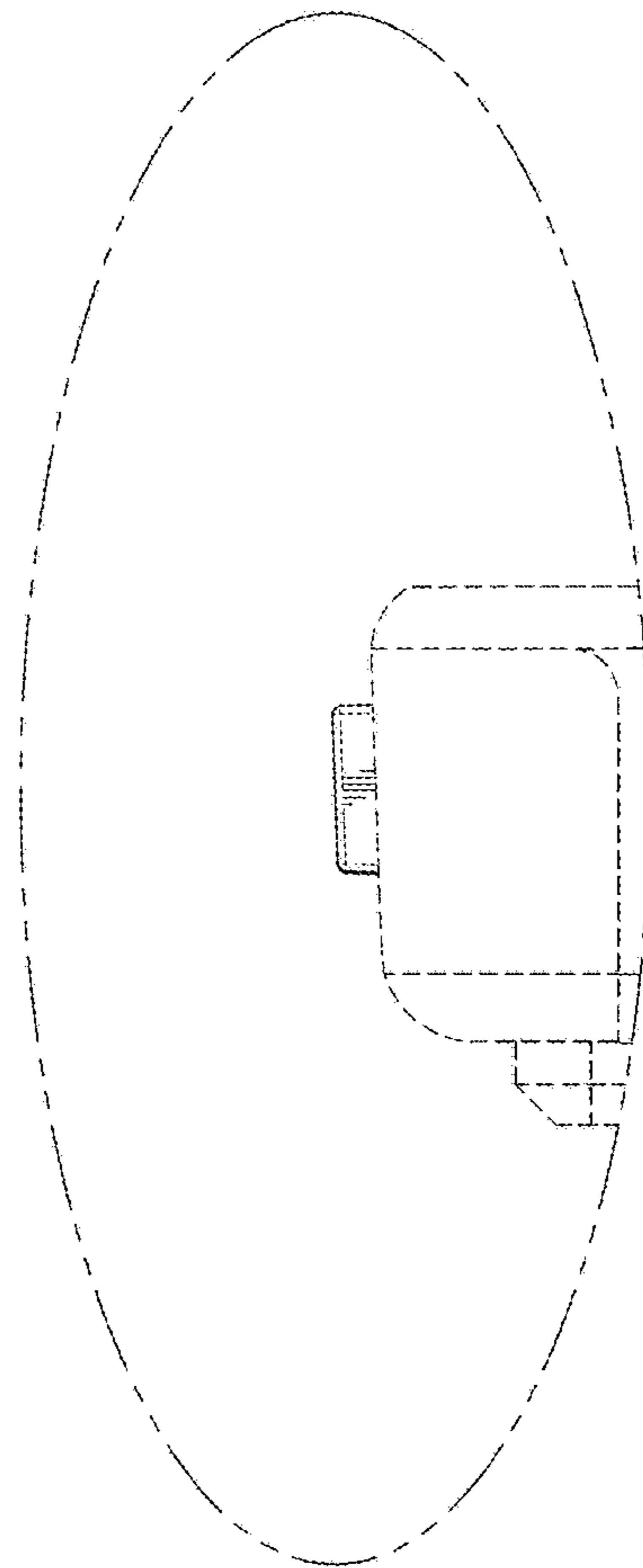


FIG. 7