



US00D789333S

(12) **United States Design Patent**
Kwon

(10) **Patent No.:** **US D789,333 S**
(45) **Date of Patent:** **** Jun. 13, 2017**

(54) **STAND FOR TELEVISION RECEIVER**

D718,751 S * 12/2014 Ann D14/239
D721,049 S * 1/2015 Lee D14/126
D725,661 S * 3/2015 Snyder D14/451

(71) Applicant: **Samsung Electronics Co., Ltd.**,
Suwon-si (KR)

(Continued)

(72) Inventor: **Han-Sol Kwon**, Gwangmyeong (KR)

FOREIGN PATENT DOCUMENTS

(73) Assignee: **Samsung Electronics Co., Ltd.**,
Suwon-si (KR)

CN 2010306666023 6/2011
CN 2013300259811 8/2013

(Continued)

(**) Term: **15 Years**

Primary Examiner — Randall Gholson

(21) Appl. No.: **29/563,825**

(74) *Attorney, Agent, or Firm* — NSIP Law

(22) Filed: **May 9, 2016**

(57) **CLAIM**

I claim the ornamental design for a stand for television receiver, as shown and described.

(30) **Foreign Application Priority Data**

DESCRIPTION

Nov. 12, 2015 (KR) 30-2015-0056883

(51) **LOC (10) Cl.** **14-03**

(52) **U.S. Cl.**

USPC **D14/239**

(58) **Field of Classification Search**

USPC D14/125-134, 239, 371, 136, 374-377,
D14/440, 450, 448, 336, 342, 159;
312/7.2; 348/836, 838, 180, 184, 325,
348/739; 248/917-924, 465; 345/104,
345/133, 156, 168, 87, 173; D21/329,
D21/515, 577, 622, 333, 433, 448, 452,
D21/450, 331, 505; D10/15, 26;
446/484, 175, 356; D6/477, 479, 300;
D24/185; D34/14

CPC ... G06F 1/1601; G06F 1/1643; H05K 5/0004;
H05K 5/0017; H05K 5/02; H05K 5/0217

See application file for complete search history.

FIG. 1 is a front perspective view of a stand for television receiver showing my new design;
FIG. 2 is a front view thereof;
FIG. 3 is a rear view thereof;
FIG. 4 is a left-side view thereof;
FIG. 5 is a right-side view thereof;
FIG. 6 is a top view thereof;
FIG. 7 is a bottom view thereof;
FIG. 8 is a rear perspective view of the stand for television receiver shown in an alternate position;
FIG. 9 is a front perspective view in which a display screen in broken lines is provided to illustrate an example environment.
FIG. 10 is an enlarged view of the encircled portion in FIG. 4; and,
FIG. 11 is an enlarged view of the encircled portion in FIG. 4.

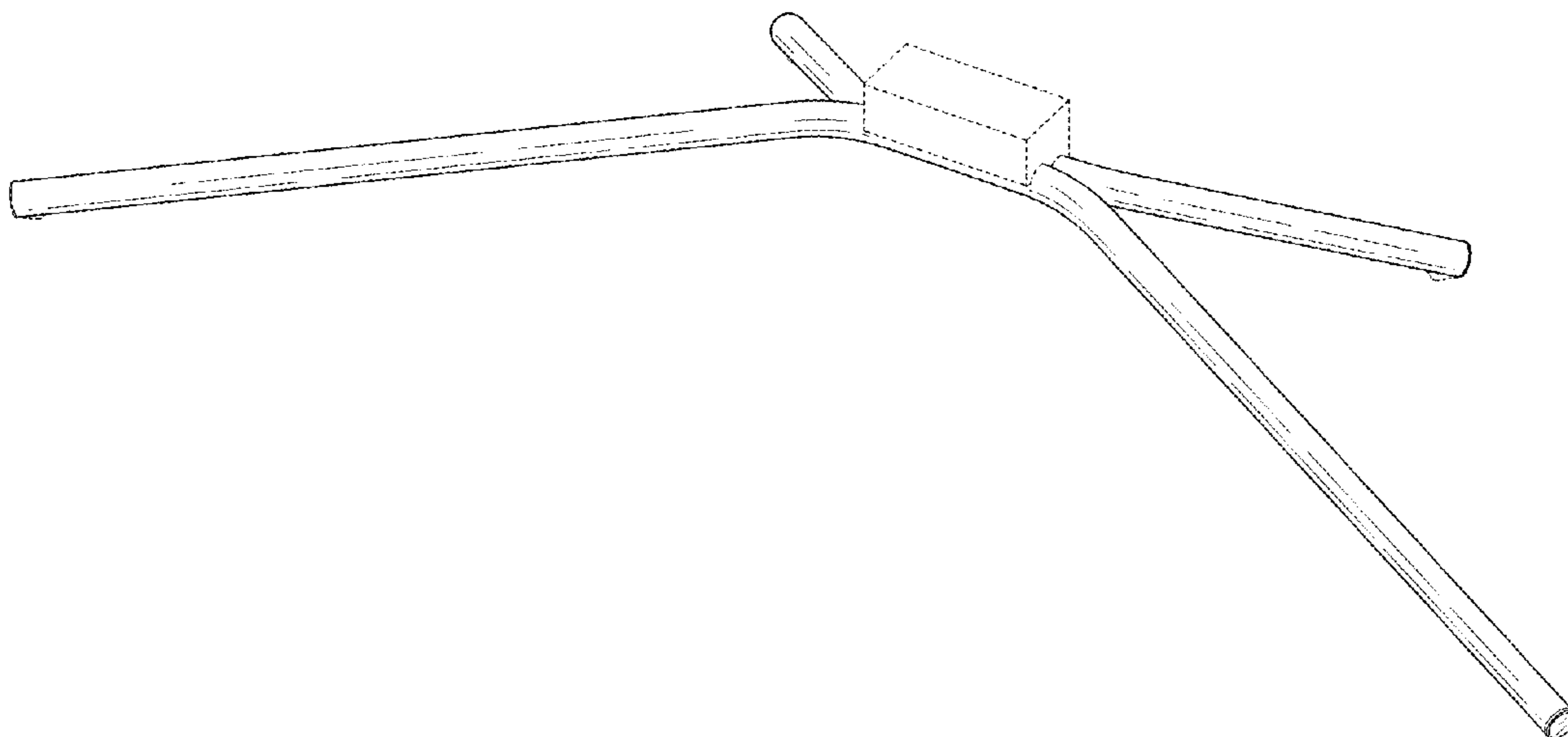
(56) **References Cited**

U.S. PATENT DOCUMENTS

D716,277 S * 10/2014 Kim D14/239
D716,777 S * 11/2014 Kim D14/239
D718,287 S * 11/2014 Lee D14/239

The broken lines in the figures depict environmental subject matter and form no part of the claimed design.
The dot-dash broken lines encircling portions of the claimed design that are illustrated in enlargements form no part of the claimed design.

1 Claim, 7 Drawing Sheets



(56)

References Cited

U.S. PATENT DOCUMENTS

D727,879 S * 4/2015 Lee D14/239
D742,364 S * 11/2015 Reinhertz D14/239
D751,519 S * 3/2016 Ma D14/126

FOREIGN PATENT DOCUMENTS

CN 2013300459752 8/2013
CN 201430396836.9 4/2015
KR 30-2013-0063839 8/2014

* cited by examiner

FIG. 1

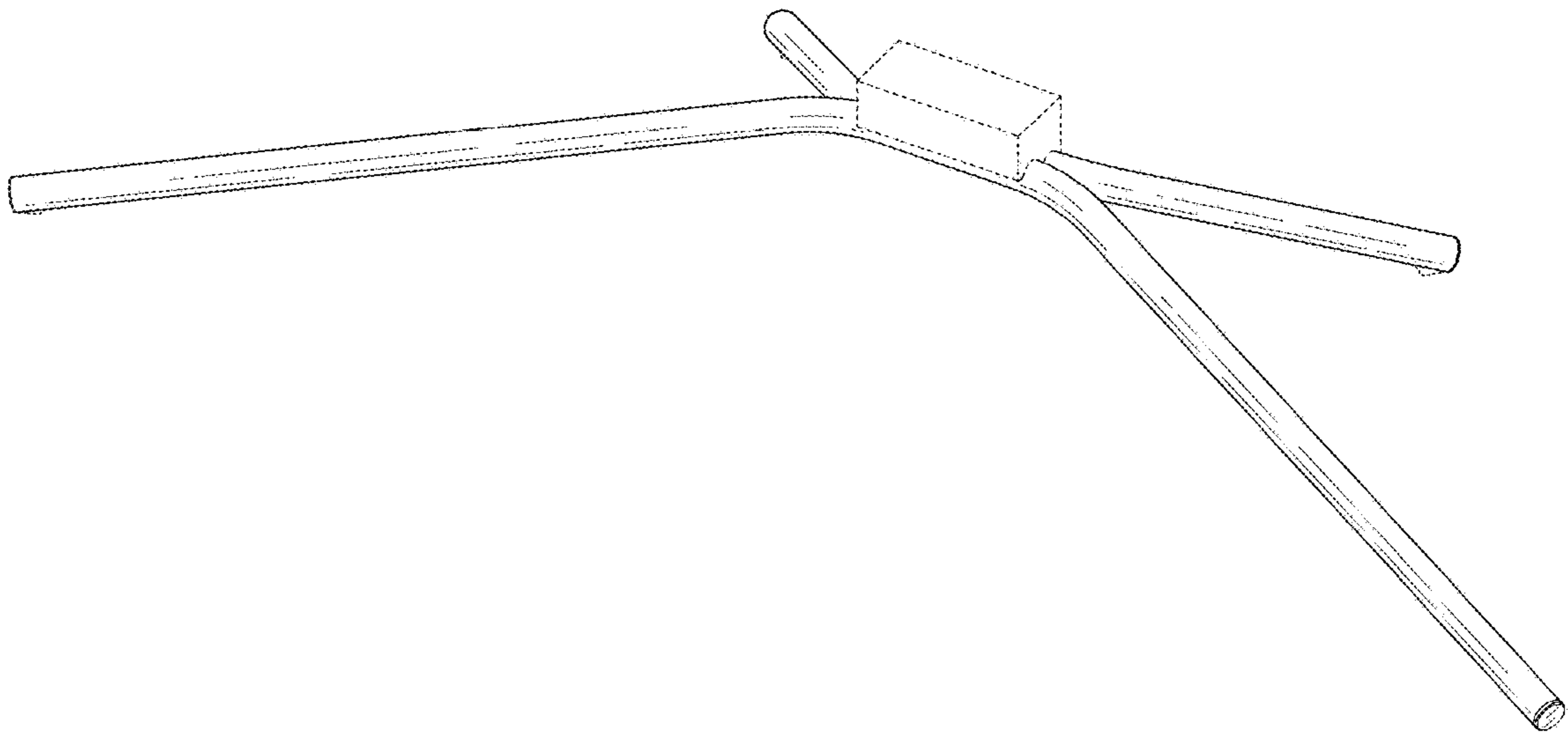


FIG. 2

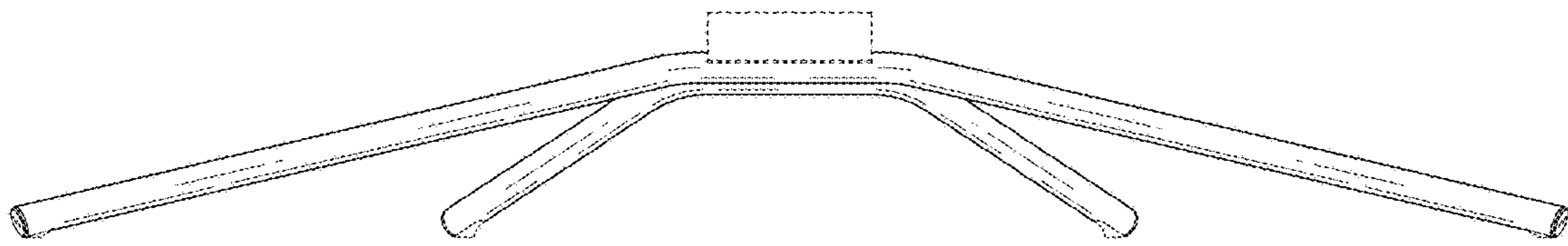


FIG. 3

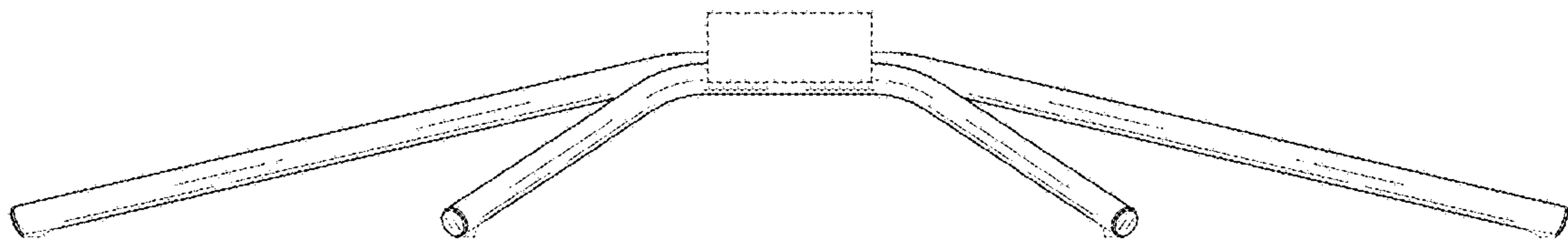


FIG. 4

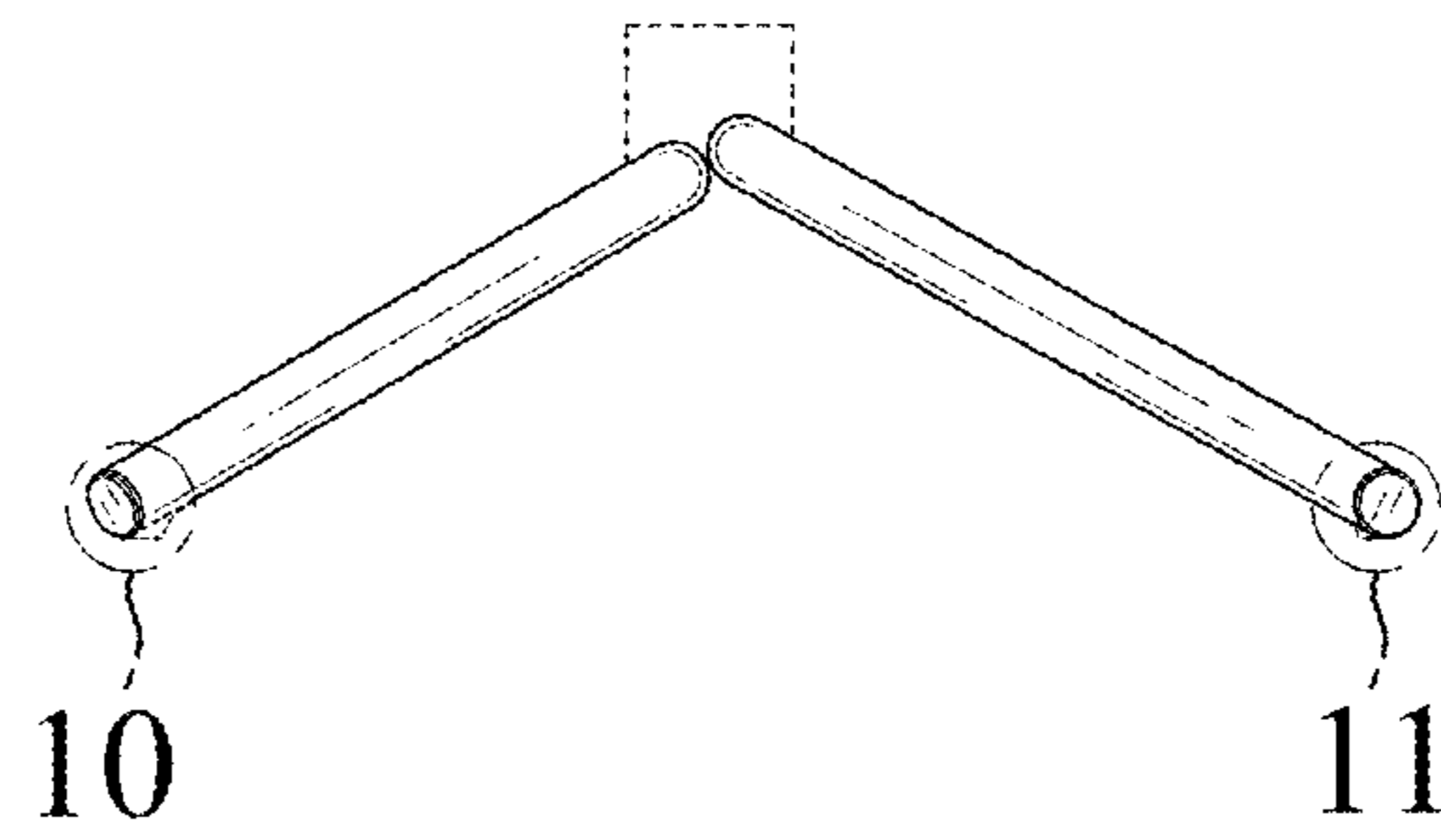


FIG. 5

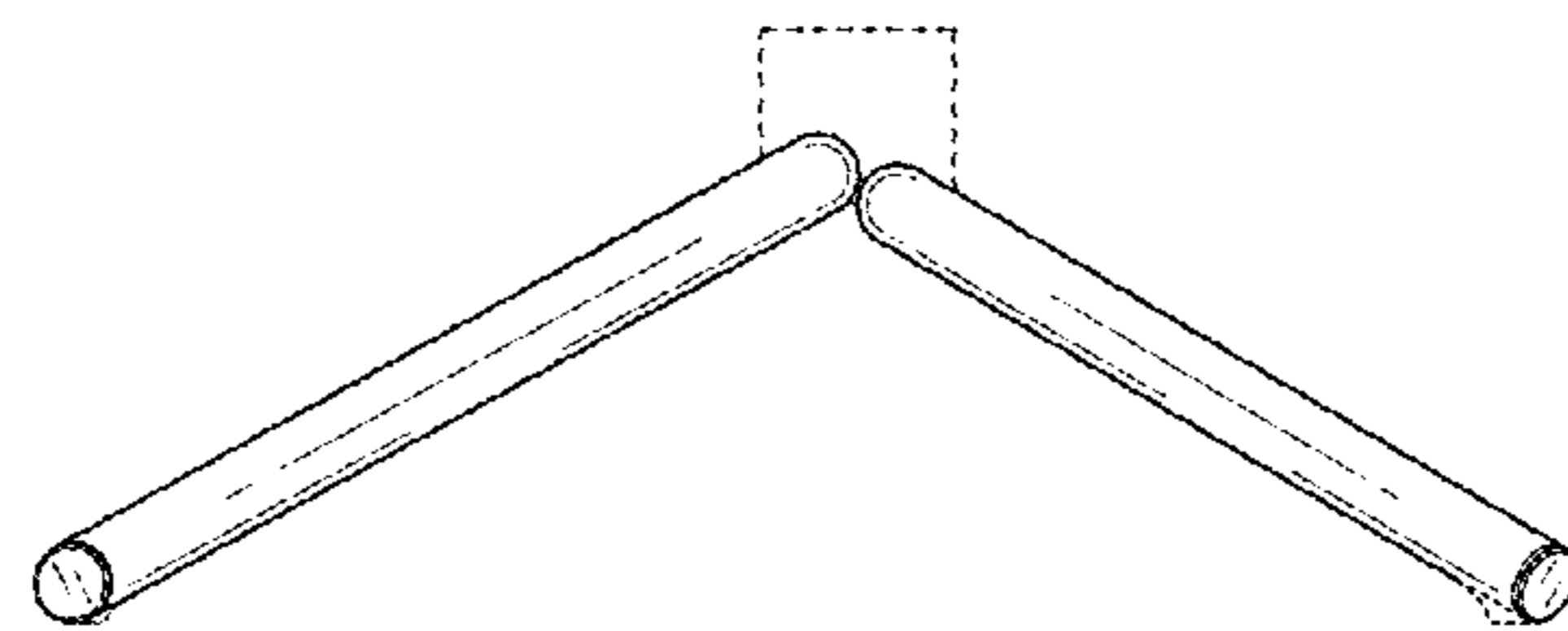


FIG. 6

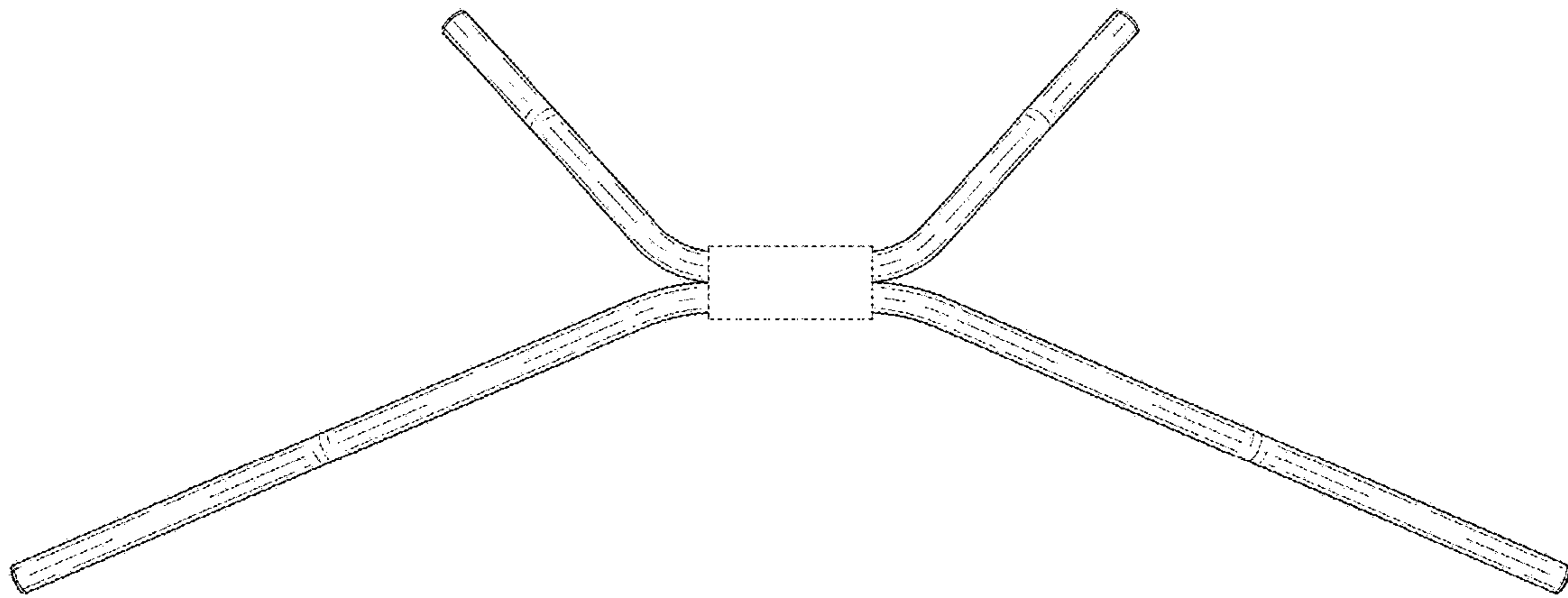


FIG. 7

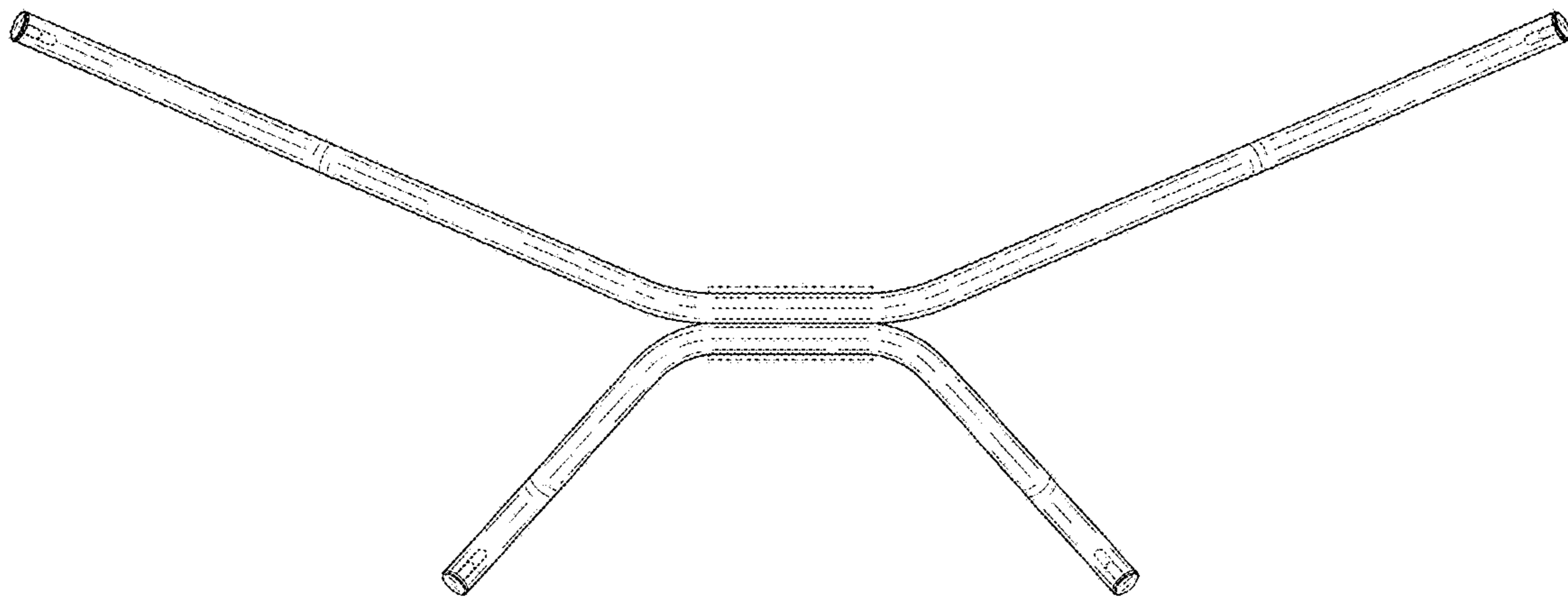


FIG. 8

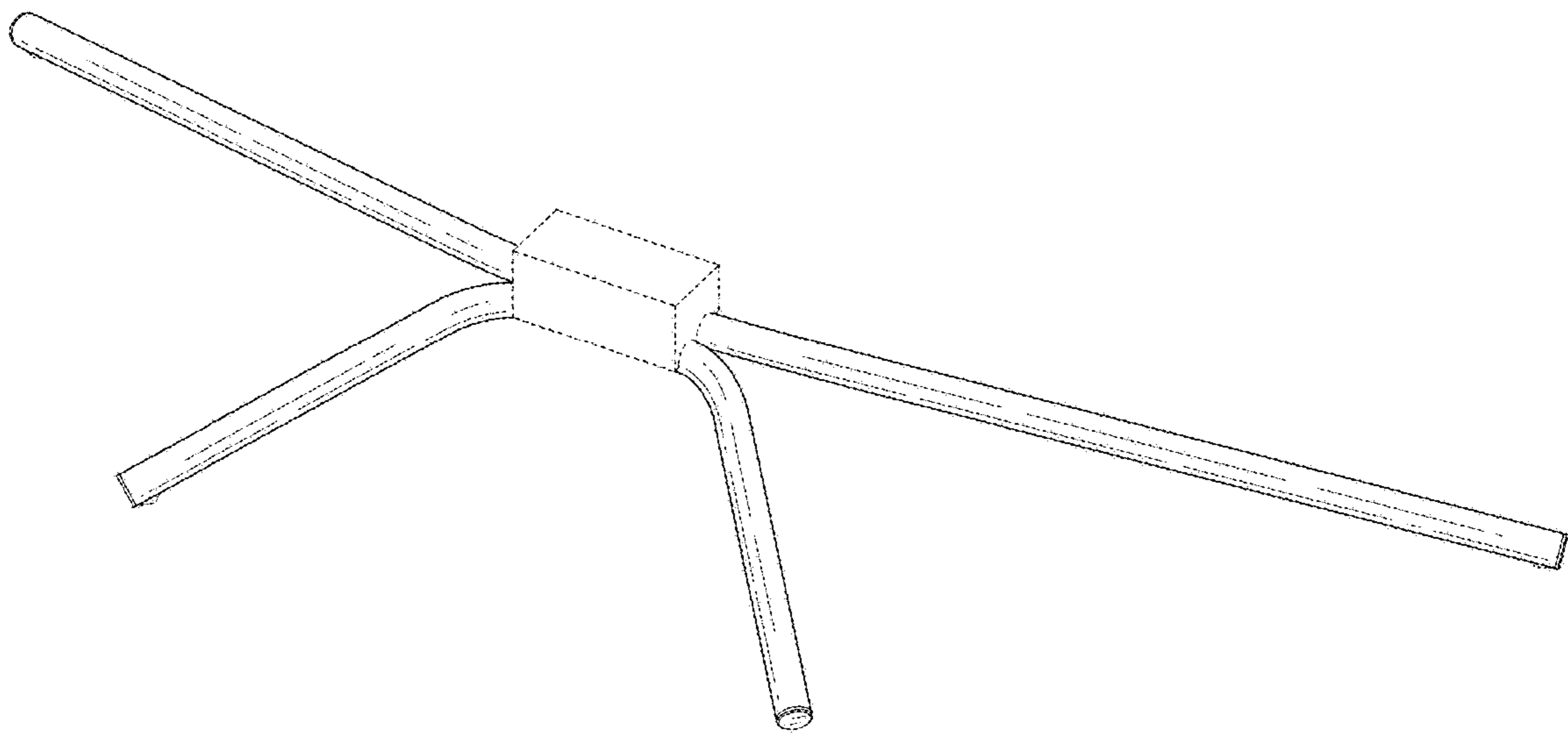


FIG. 9

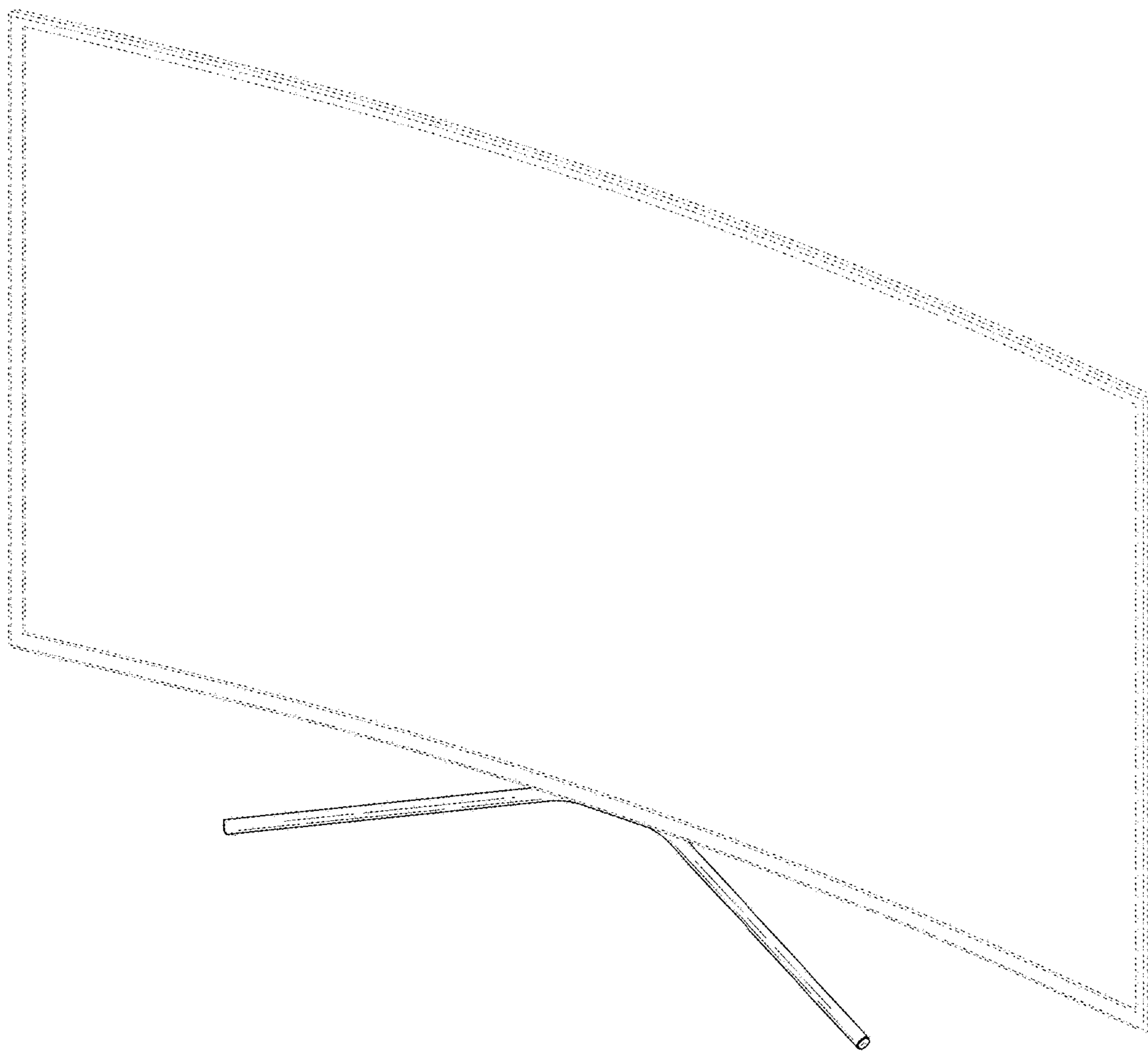


FIG. 10

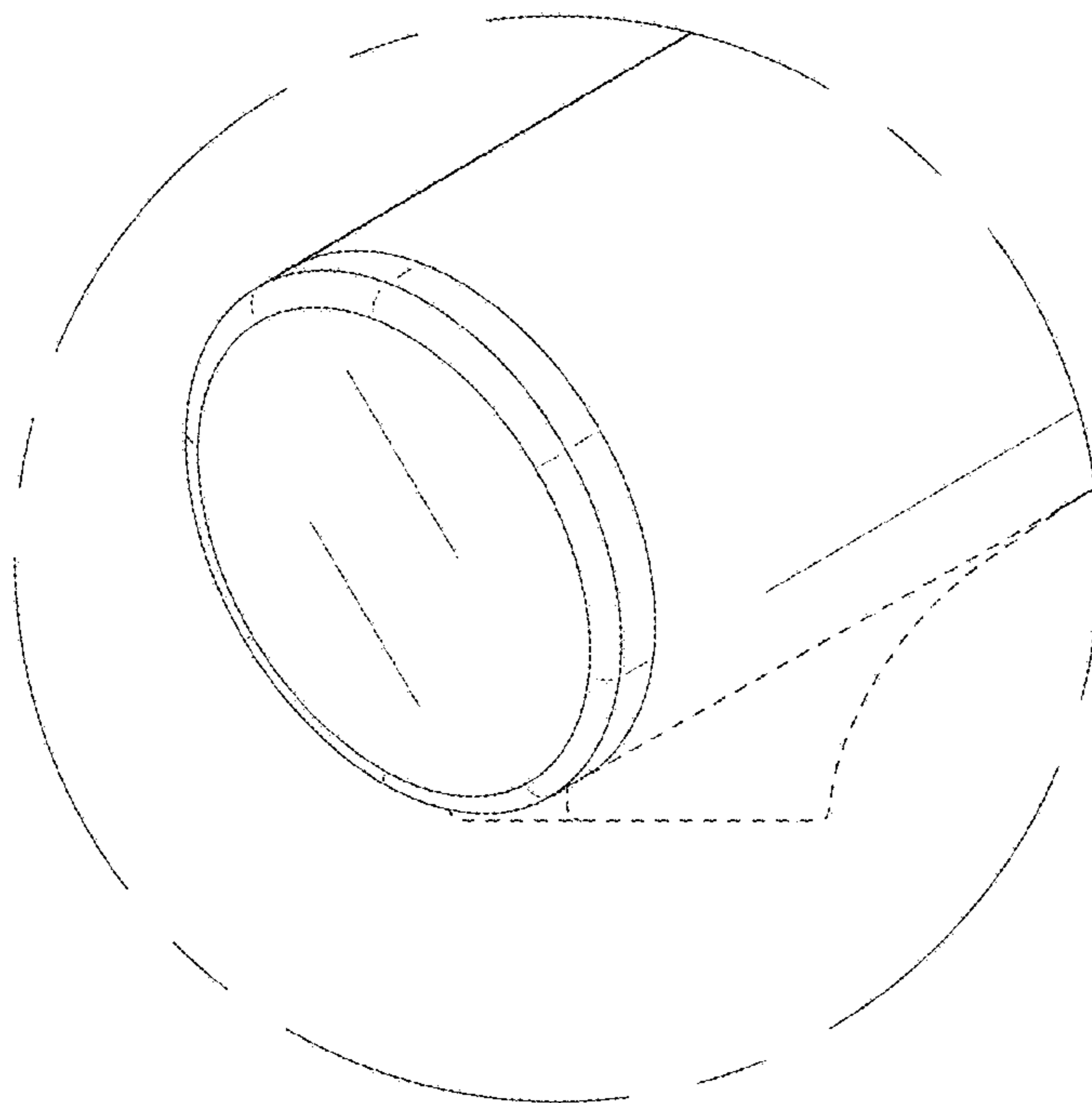


FIG. 11

