



US00D789332S

(12) **United States Design Patent**
Walker et al.

(10) **Patent No.:** **US D789,332 S**
(45) **Date of Patent:** **** Jun. 13, 2017**

- (54) **COLLAPSIBLE ANTENNA**
- (71) Applicant: **Poynting Antennas (PTY) Limited,**
Samrand (ZA)
- (72) Inventors: **Eduard Walker,** Samrand (ZA); **Derek**
Colin Nitch, Samrand (ZA); **Mark**
Pierre Haarhoff, Samrand (ZA);
Andries Petrus Cronje Fourie,
Samrand (ZA)
- (73) Assignee: **Poynting Antennas (Pty) Limited,**
Samrand (ZA)
- (**) Term: **14 Years**
- (21) Appl. No.: **29/510,718**
- (22) Filed: **Dec. 2, 2014**
- (51) **LOC (10) Cl.** **14-03**
- (52) **U.S. Cl.**
USPC **D14/230**
- (58) **Field of Classification Search**
USPC D14/230, 231, 232, 233, 234, 235, 236,
D14/237, 238, 138, 299, 358, 240;
D12/42, 43
CPC H01Q 7/00; H01Q 13/10; H01Q 9/285;
H01Q 9/26; H01Q 19/30; H01Q 19/12;
H01Q 1/38; H01Q 1/36; H01Q 1/42;
H01Q 1/242; H01Q 1/243; H01Q 1/2266;
H01Q 1/20; H01Q 1/08; H01Q 1/1235;
H01Q 15/161; H01Q 15/162
See application file for complete search history.

- 4,295,143 A * 10/1981 Winegard H01Q 15/162
343/840
- 4,764,779 A * 8/1988 Sato H01Q 15/161
343/897
- 5,657,030 A * 8/1997 Peck H01Q 11/06
343/733

(Continued)

OTHER PUBLICATIONS

Poyntingcommercial.com. "DigiAnt Brochure Jan. 2015."
Retrieved Jan. 10, 2017. (http://www.poyntingcommercial.com/upload/brochure_files/20150309083433_DigiAnt_Brochure_Jan2015.pdf).*

(Continued)

Primary Examiner — Karen S Acker
Assistant Examiner — Jerry Hsu
(74) *Attorney, Agent, or Firm* — David J. Pitman;
Fulwider Patton LLP

(57) **CLAIM**

The ornamental design for a collapsible antenna, as shown and described.

DESCRIPTION

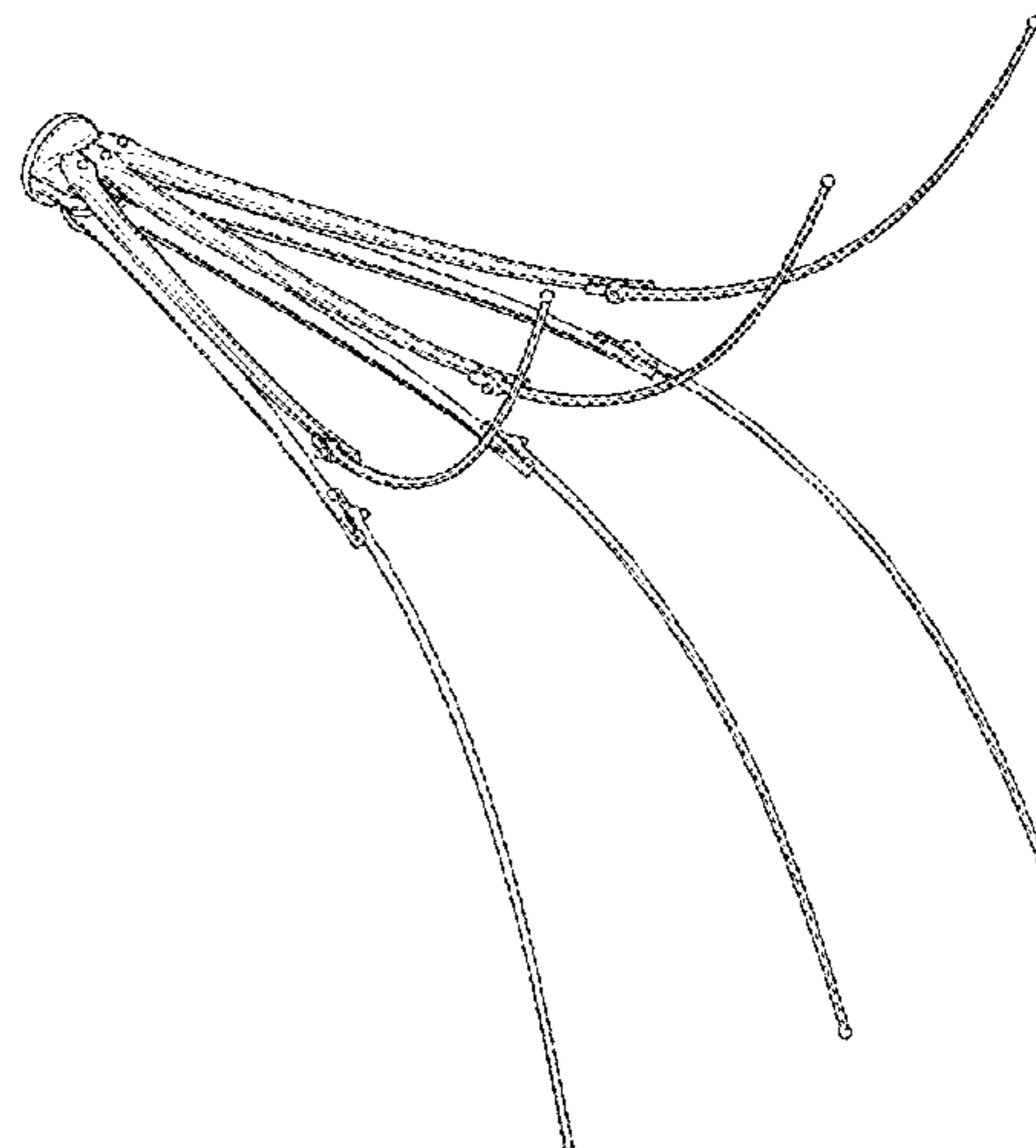
FIG. 1 is a perspective view of my new design shown in a first expanded condition;
FIG. 2 is a front view thereof;
FIG. 3 is a rear view thereof;
FIG. 4 is a right side view thereof;
FIG. 5 is a left side view thereof;
FIG. 6 is a top view thereof;
FIG. 7 is a bottom view thereof;
FIG. 8 is a perspective view of my new design shown in a second collapsed condition;
FIG. 9 is a front view thereof;
FIG. 10 is a rear view thereof;
FIG. 11 is a right view thereof;
FIG. 12 is a left view thereof;
FIG. 13 is a top view thereof; and,
FIG. 14 is a bottom view thereof.

1 Claim, 7 Drawing Sheets

(56) **References Cited**

U.S. PATENT DOCUMENTS

- 3,587,104 A * 6/1971 Budrow H01Q 1/1235
343/704
- D238,430 S * 1/1976 Lanson D14/235
- 4,047,182 A * 9/1977 Faren H01Q 1/20
174/42



(56)

References Cited

U.S. PATENT DOCUMENTS

D480,388 S * 10/2003 Spelman D14/230
D664,127 S * 7/2012 Yang D14/230
2011/0221646 A1* 9/2011 Dresel H01Q 1/08
343/792.5
2011/0248894 A1* 10/2011 Crowley H01Q 1/08
343/702

OTHER PUBLICATIONS

Ujuh.co.za. "Poynting prepares for the digital television market."
Published Feb. 20, 2014. Retrieved Jan. 10, 2017. (<http://www.ujuh.co.za/poyntingpreparesforthedigitaltelevisionmarket/>).*

* cited by examiner

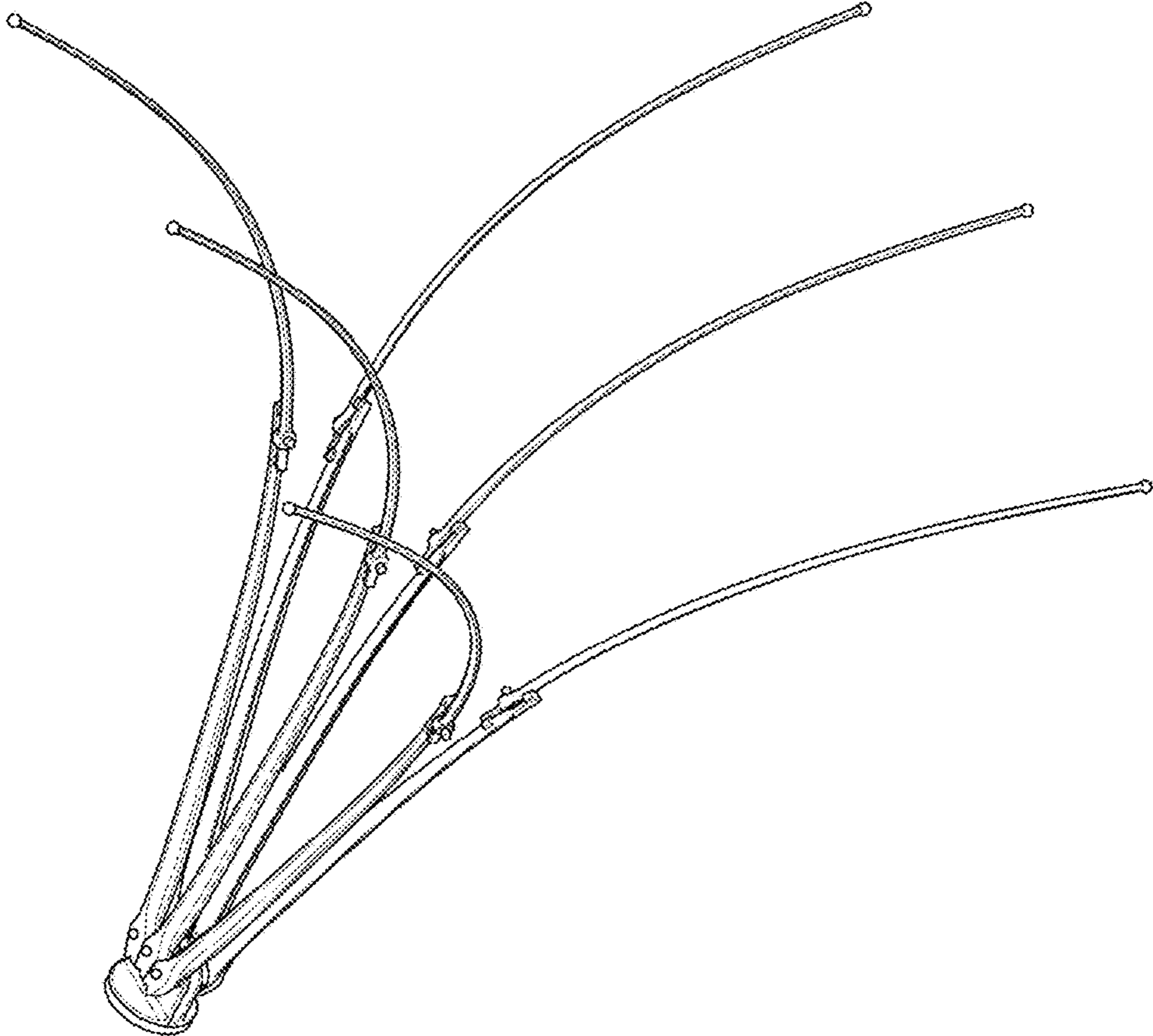


FIG. 1

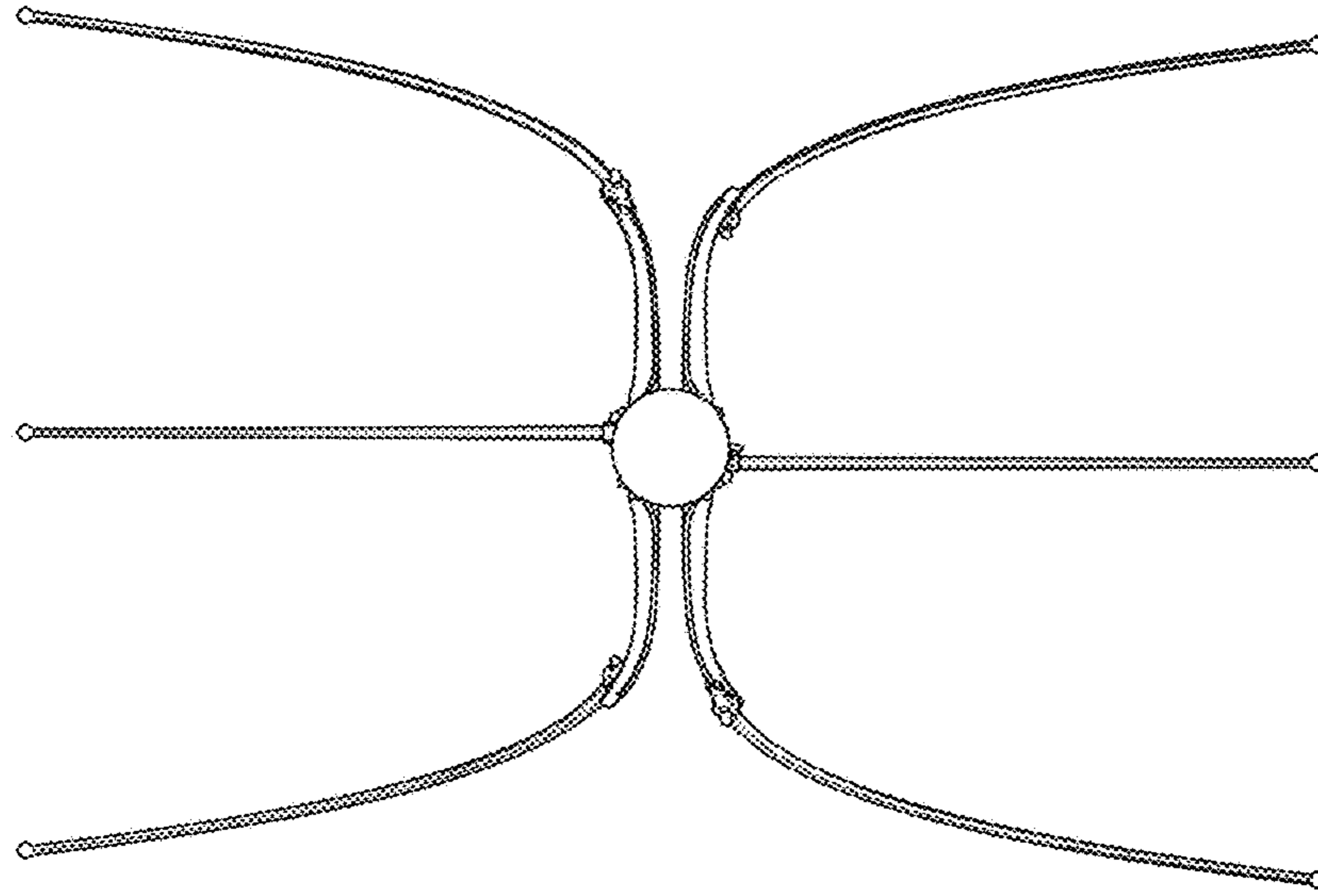


FIG. 3

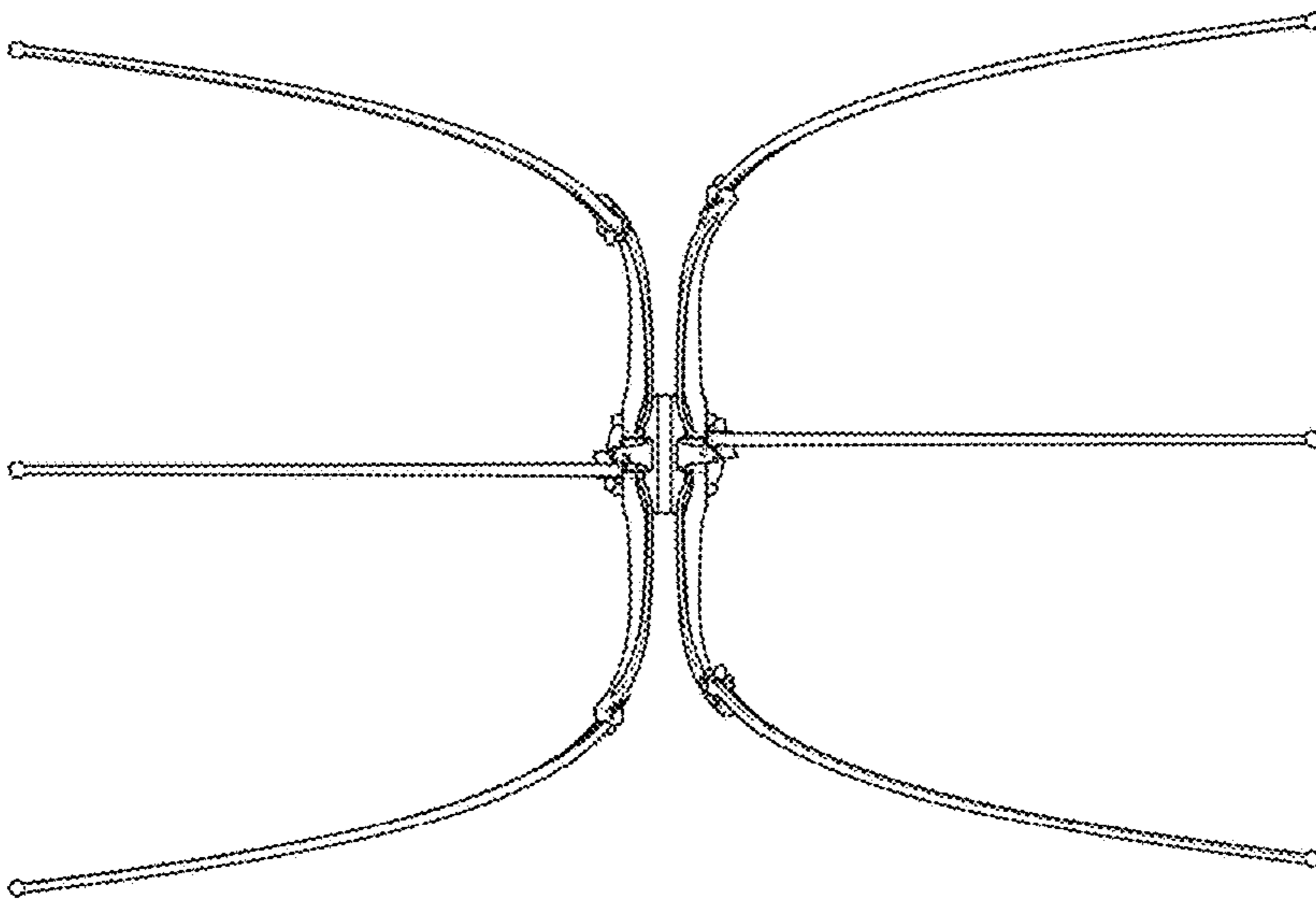


FIG. 2

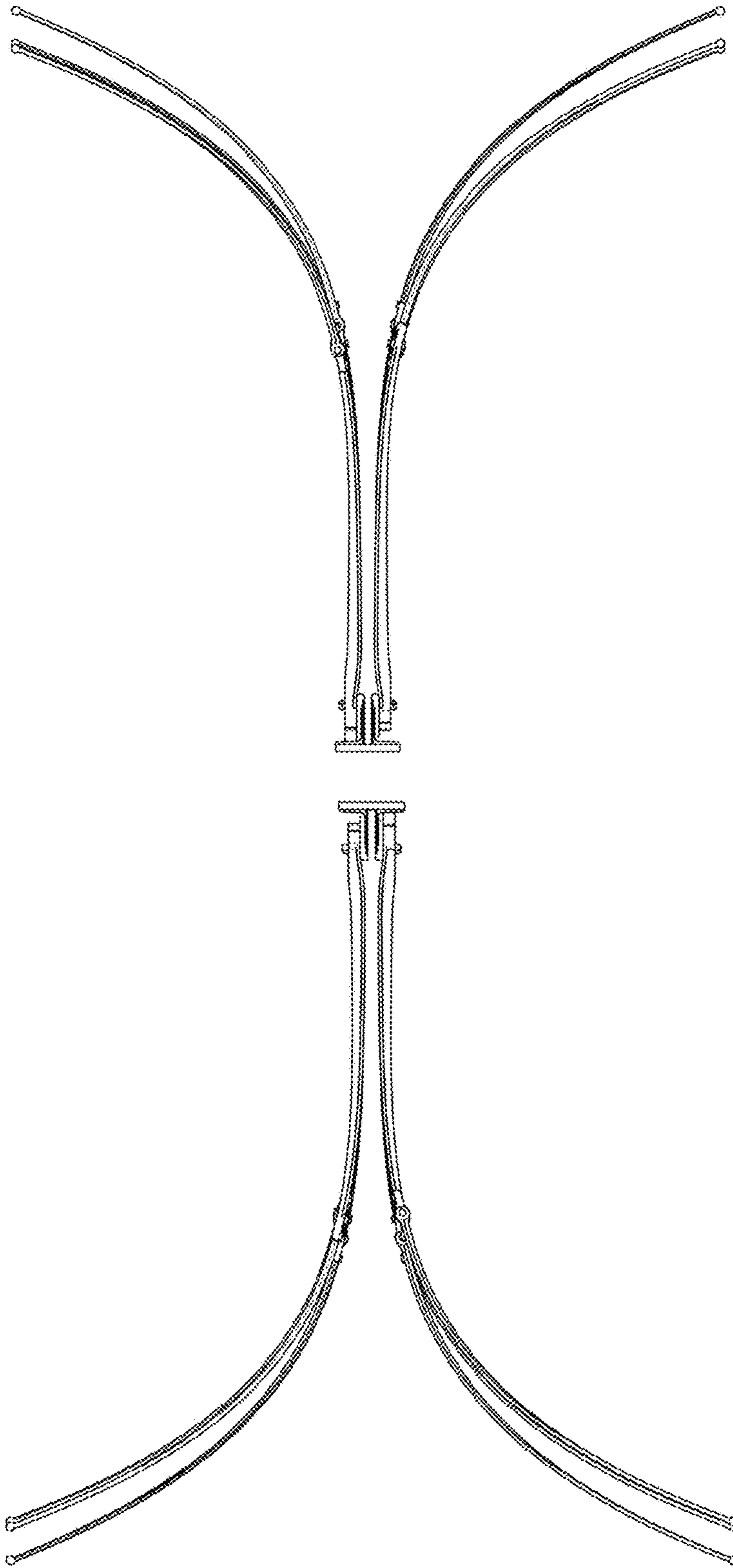


FIG. 5

FIG. 4

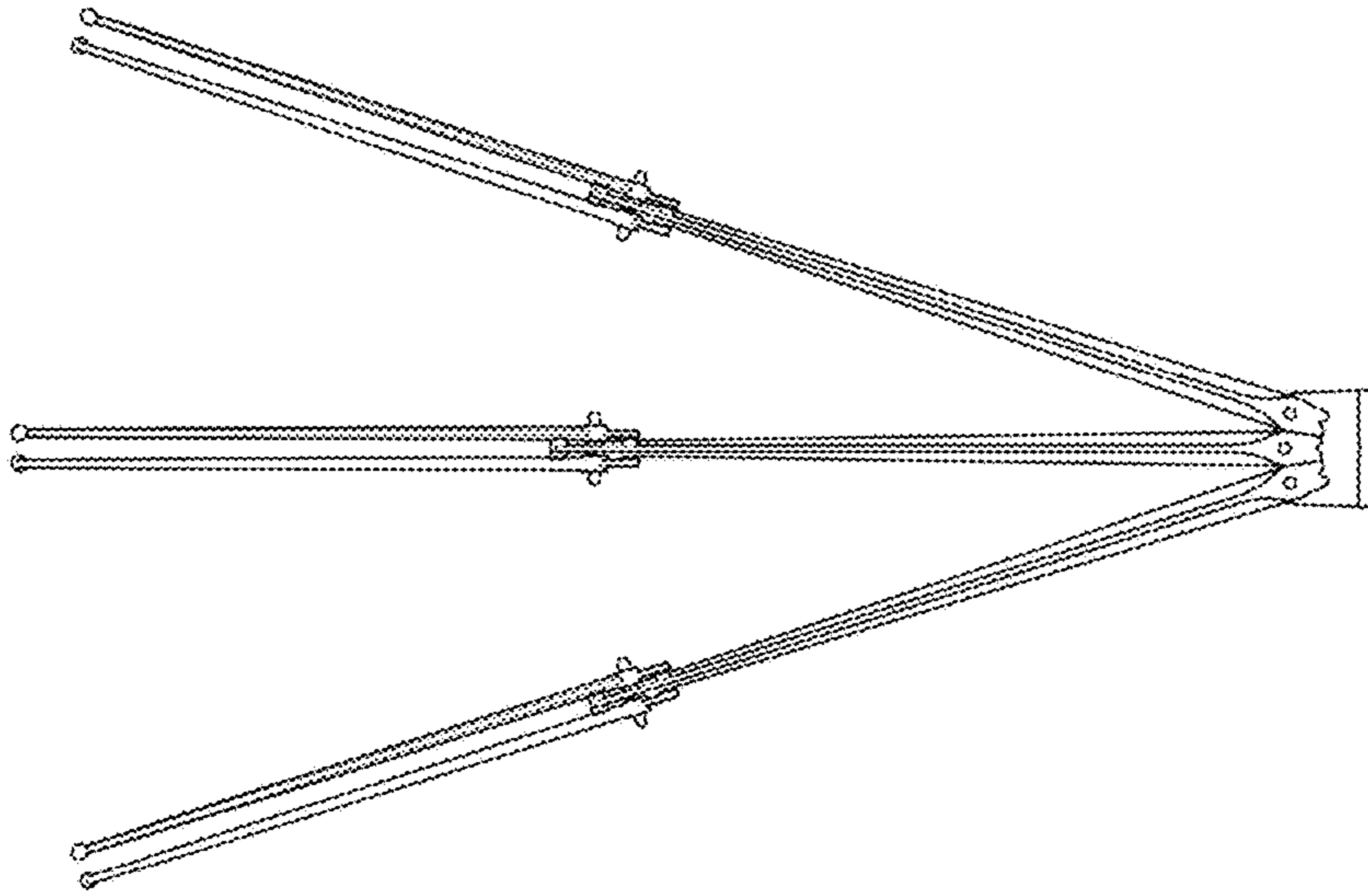


FIG. 7

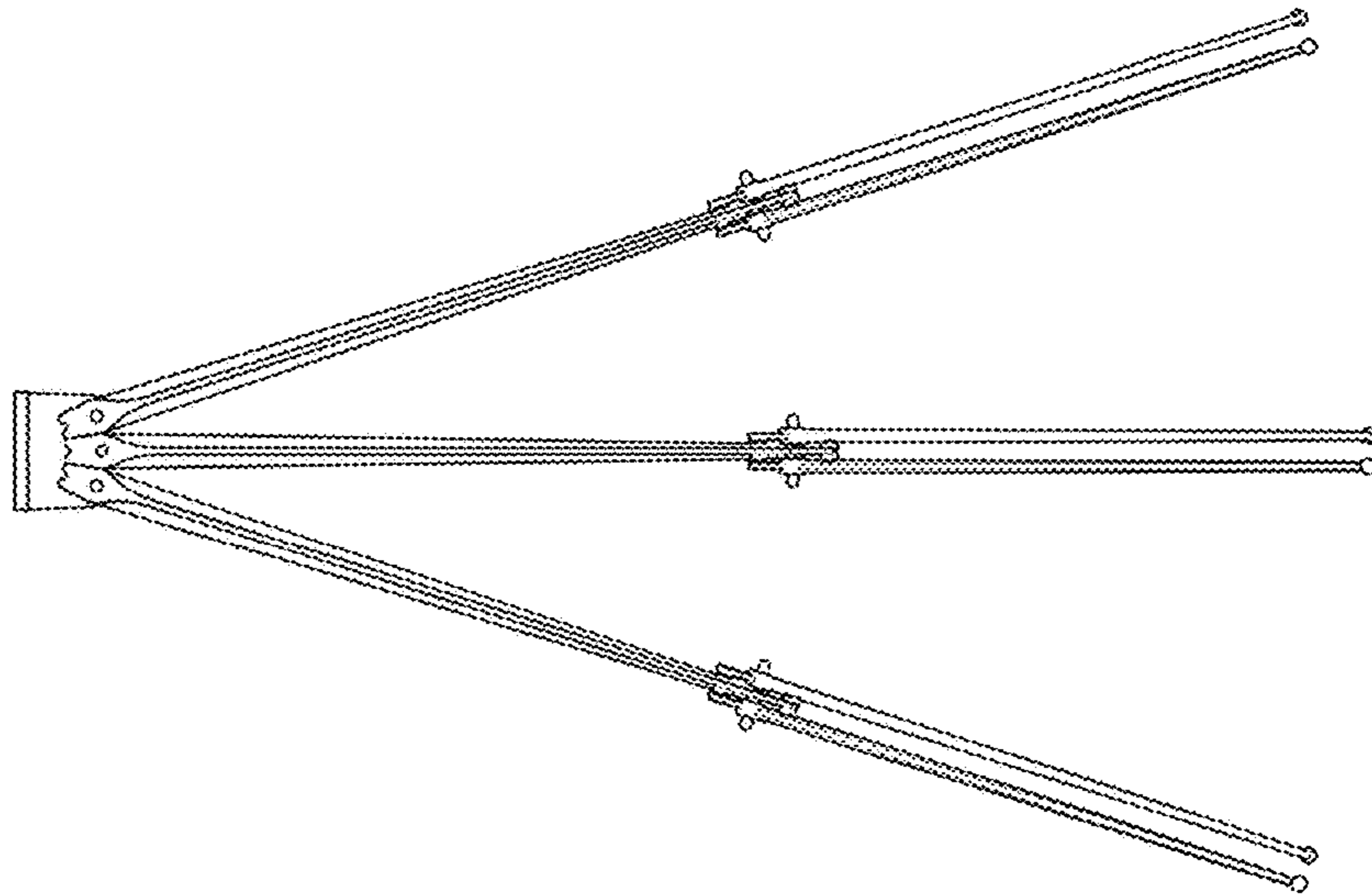


FIG. 6

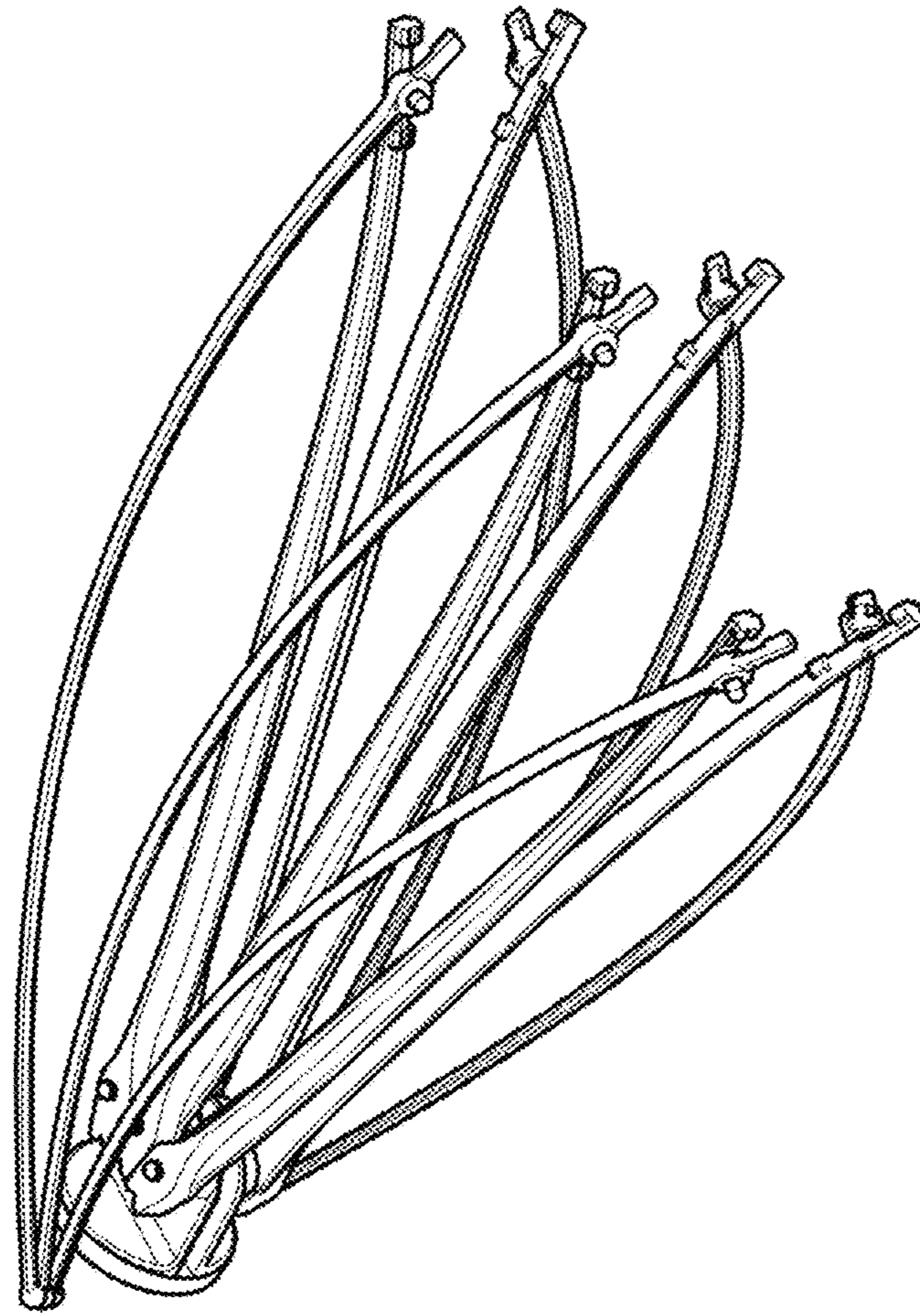


FIG. 8

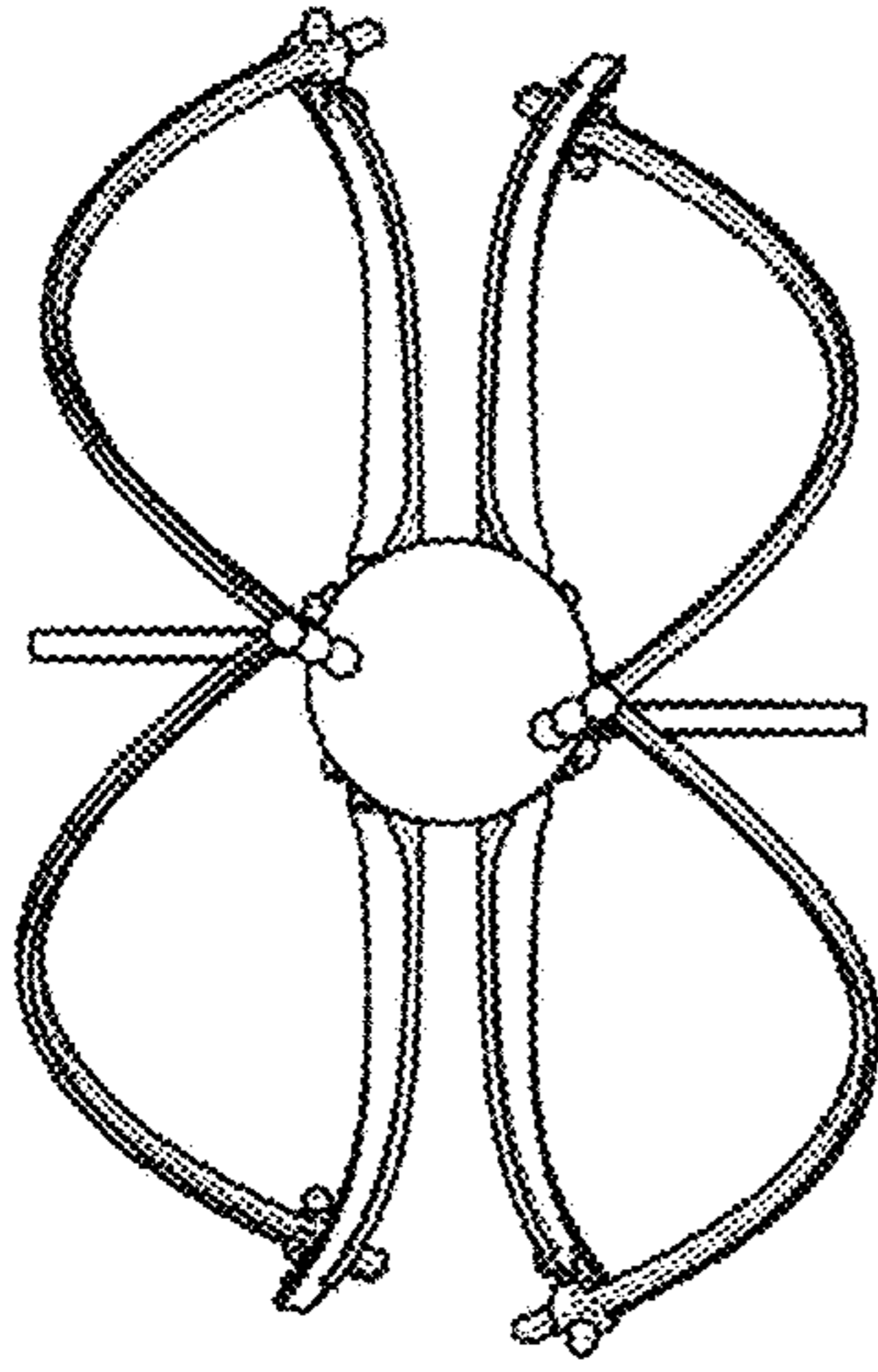


FIG. 9

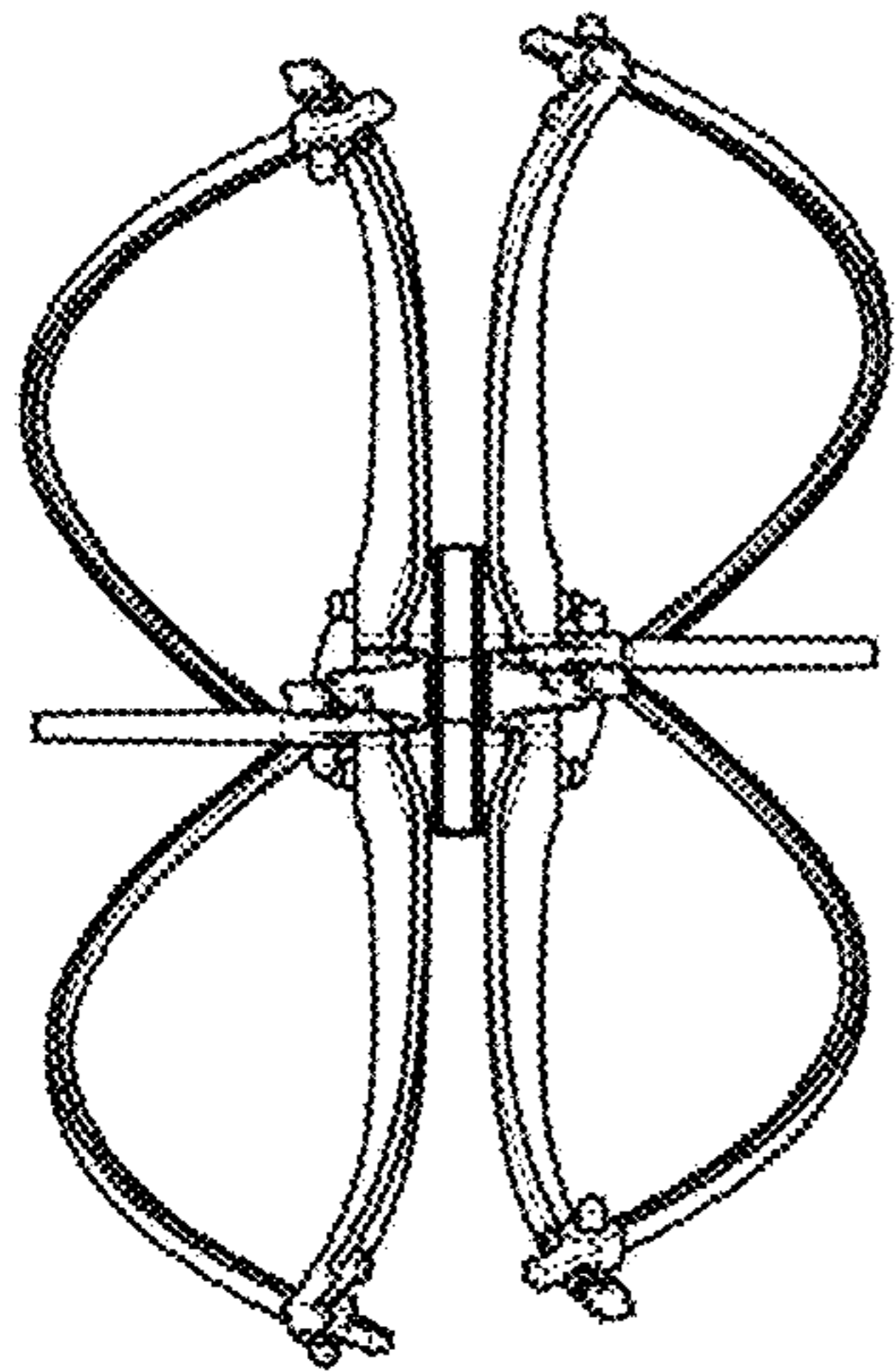


FIG. 10

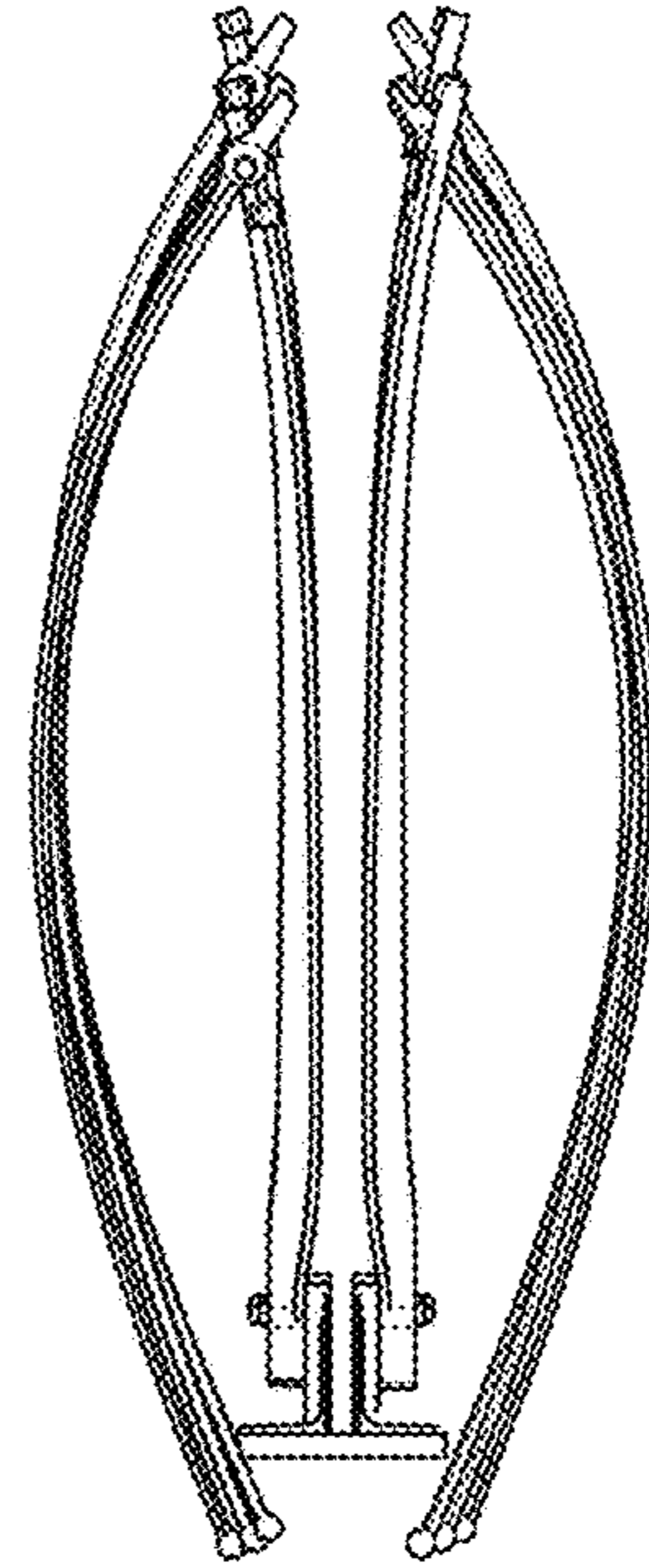


FIG. 11

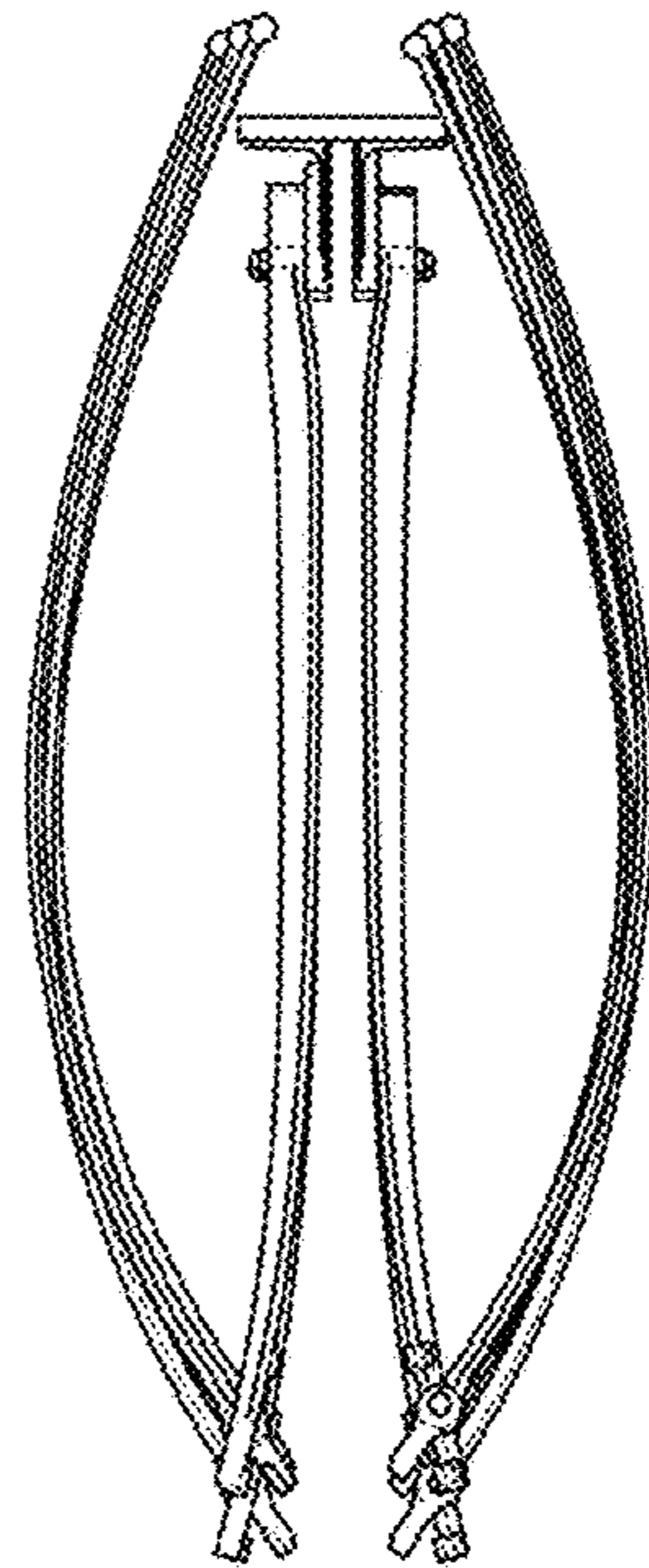


FIG. 12

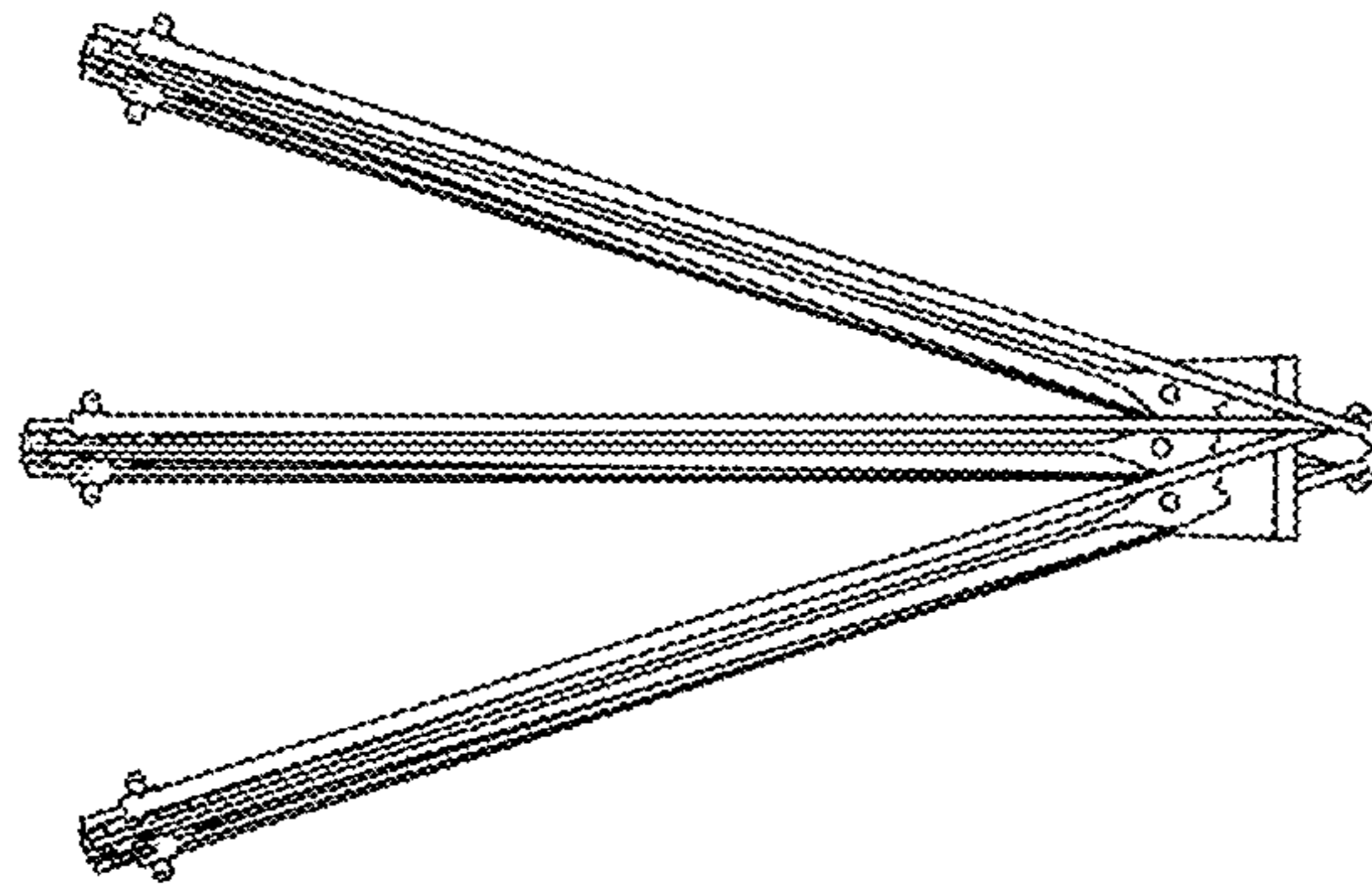


FIG. 14

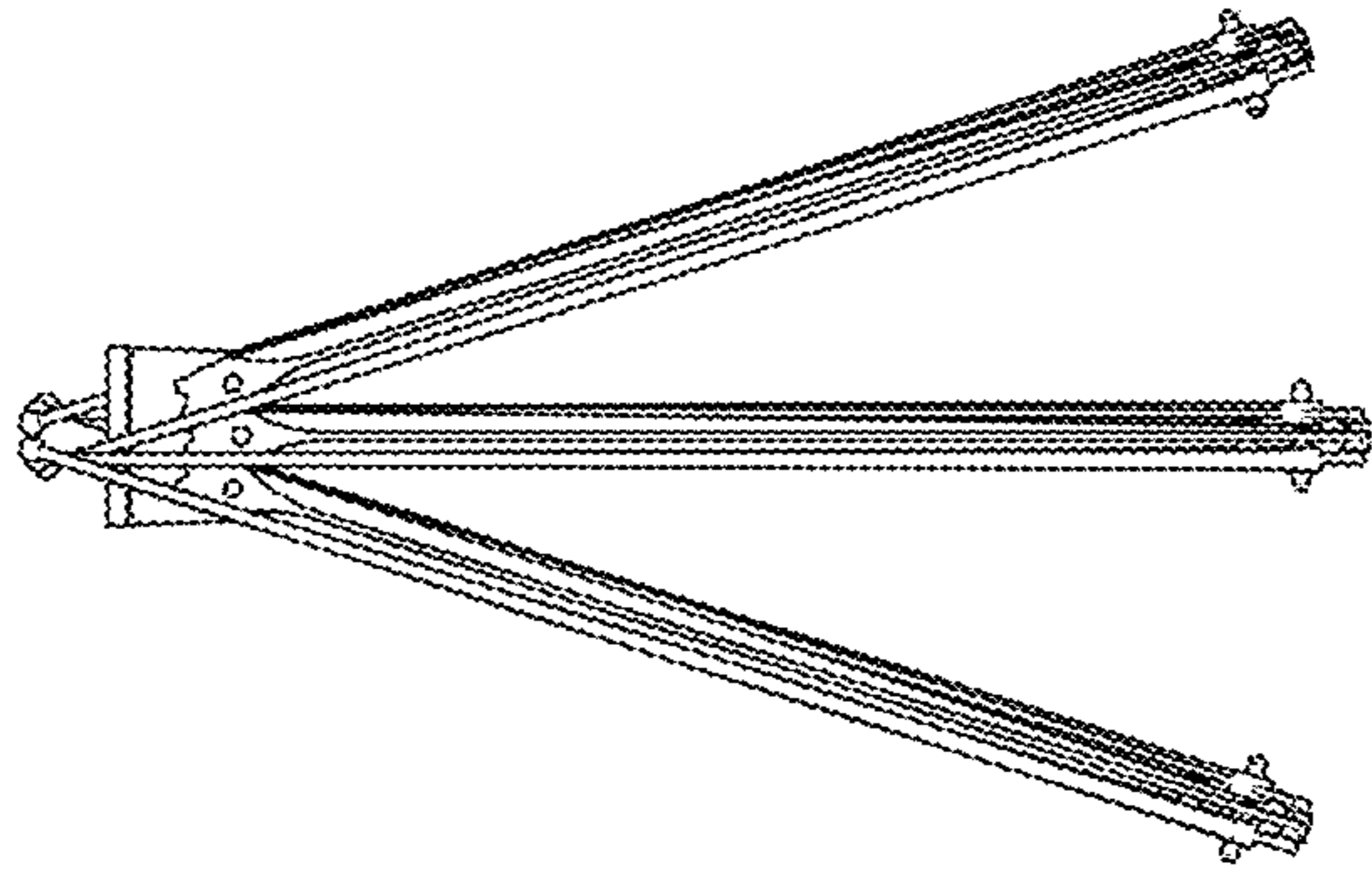


FIG. 13