



US00D789330S

(12) **United States Design Patent**
Katopis

(10) **Patent No.:** **US D789,330 S**

(45) **Date of Patent:** **** Jun. 13, 2017**

(54) **EARBUD**

(71) Applicant: **Chris J. Katopis**, Washington, DC
(US)

(72) Inventor: **Chris J. Katopis**, Washington, DC
(US)

(**) Term: **15 Years**

(21) Appl. No.: **29/557,206**

(22) Filed: **Mar. 7, 2016**

(51) **LOC (10) Cl.** **14-01**

(52) **U.S. Cl.**

USPC **D14/223**

(58) **Field of Classification Search**

USPC D14/223, 206; D24/174; 181/129, 130,
181/135; 379/430, 431; 128/864-867;
381/322-324, 330, 312, 151, 380, 381;
600/559

CPC H04R 1/10; H04R 1/1016; H04R 1/1058;
H04R 25/00; H04R 1/1033

See application file for complete search history.

(56) **References Cited**

U.S. PATENT DOCUMENTS

D168,902 S *	2/1953	Mundt	D8/311
D195,508 S *	6/1963	McCabe	D13/137.1
D231,317 S *	4/1974	Ludwick	D8/312
D328,559 S *	8/1992	Wilson	D8/312
D463,789 S *	10/2002	DeKalb	D14/223
D463,790 S *	10/2002	Beraut	D14/205
D467,907 S *	12/2002	Marion	D14/223
6,731,772 B1 *	5/2004	Byun	H04R 1/12 181/130
6,810,987 B1 *	11/2004	DeKalb	H04R 1/105 181/129
D510,337 S *	10/2005	Tages	D14/205
D523,846 S *	6/2006	Lee	D14/205
D562,808 S *	2/2008	Gwee	D14/223
D566,687 S *	4/2008	Duarte	D14/205

D568,291 S *	5/2008	Andre	D14/205
D572,241 S *	7/2008	Gwee	D14/223
D585,429 S *	1/2009	Dean	D14/223
D587,677 S *	3/2009	Andre	D14/205
D589,491 S *	3/2009	Andre	D14/205
D591,732 S *	5/2009	Burton	D14/205
D601,134 S *	9/2009	Elabidi	D14/223
D617,316 S *	6/2010	Elabidi	D14/223
D618,209 S *	6/2010	Andre	D14/205
D618,210 S *	6/2010	Andre	D14/205
D619,566 S *	7/2010	Yu	D14/223
D636,756 S *	4/2011	Fahrendorff	D14/205
D641,010 S *	7/2011	Kwon	D14/223

(Continued)

OTHER PUBLICATIONS

“Etymotic Research ER-4(R) micorPro(R)—Earphones,” www.atymotic.com, [retrieved Mar. 4, 2016] <URL: http://www.atymotic.com/consumer/earphones/er4.html>.

(Continued)

Primary Examiner — Paula Greene

(74) *Attorney, Agent, or Firm* — Chris J. Katopis

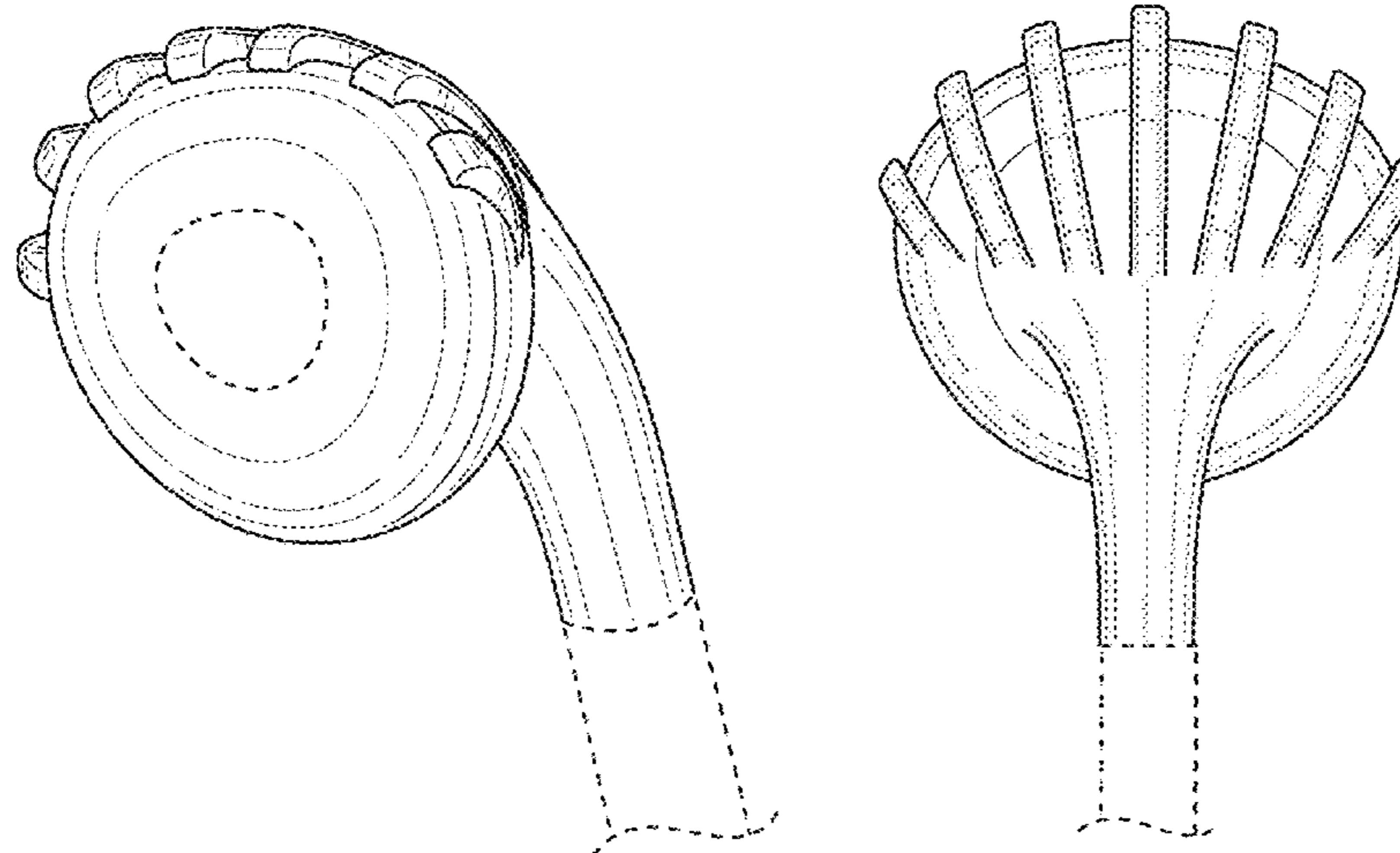
(57) **CLAIM**

The ornamental design for an earbud, as shown and described.

DESCRIPTION

FIG. 1 is a front perspective view of an earbud, showing the new design;
FIG. 2 is a front view thereof;
FIG. 3 is a back view thereof;
FIG. 4 is a side view thereof;
FIG. 5 is the opposite side view thereof;
FIG. 6 is a top view thereof; and,
FIG. 7 is a bottom view thereof.
In all figures, the broken lines represent environmental subject matter that forms no part of the claimed design.

1 Claim, 7 Drawing Sheets



(56)

References Cited

U.S. PATENT DOCUMENTS

D643,415	S	8/2011	Vasquez	
D647,081	S	10/2011	Kwon	
D653,235	S	1/2012	McManigal	
D656,481	S *	3/2012	McManigal D14/205
D658,157	S	4/2012	McManigal	
D660,291	S	5/2012	Thomas et al.	
D662,079	S *	6/2012	Fahrendorff D14/205
8,208,661	B2 *	6/2012	Jiang H04R 23/002 381/111
D666,169	S	8/2012	Tucker et al.	
D666,996	S	9/2012	Hardi et al.	
D674,271	S	1/2013	Rodwin	
D687,418	S	8/2013	Godfrey	
D689,472	S *	9/2013	Erdel D14/223
D695,721	S *	12/2013	Thompson D14/223
D695,722	S *	12/2013	Thompson D14/223
D700,905	S	3/2014	Pavitsich	
D707,201	S	6/2014	Arjomand	
D712,874	S	9/2014	Gauger, Jr. et al.	
D715,272	S	10/2014	Burton	
D716,771	S	11/2014	Burgett et al.	
D729,764	S	5/2015	Arjomand	
D739,851	S	9/2015	Donohue, II et al.	
D744,456	S	12/2015	Pedersen	
D745,863	S	12/2015	Hardi	
2013/0083956	A1 *	4/2013	Hayashida H04R 1/10 381/380

OTHER PUBLICATIONS

“Burton Technologies LLC,” www.burtontechusa.com, [retrieved Mar. 4, 2016] <URL: <http://www.burtontechusa.com/>>.

* cited by examiner

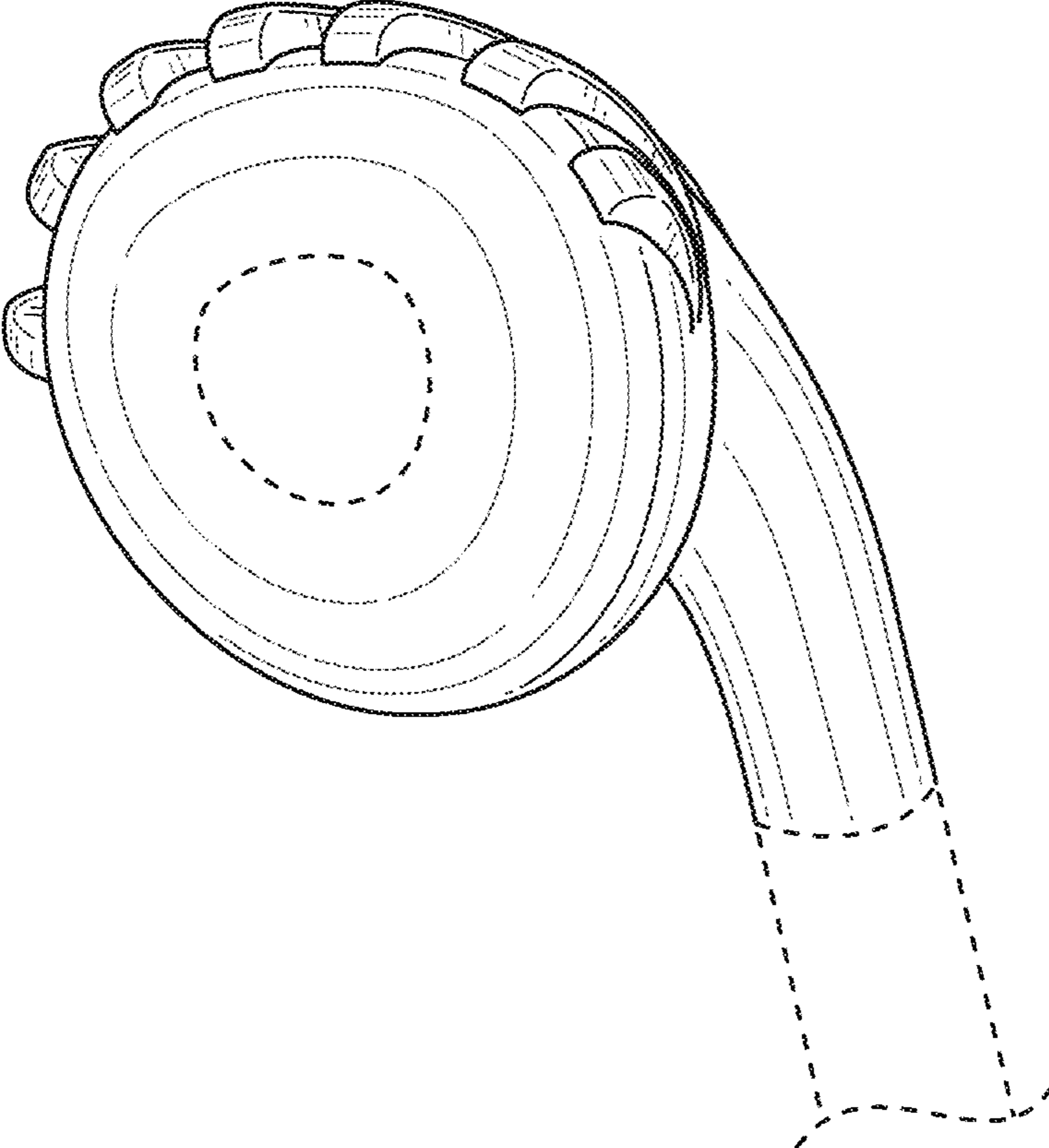


FIG. 1

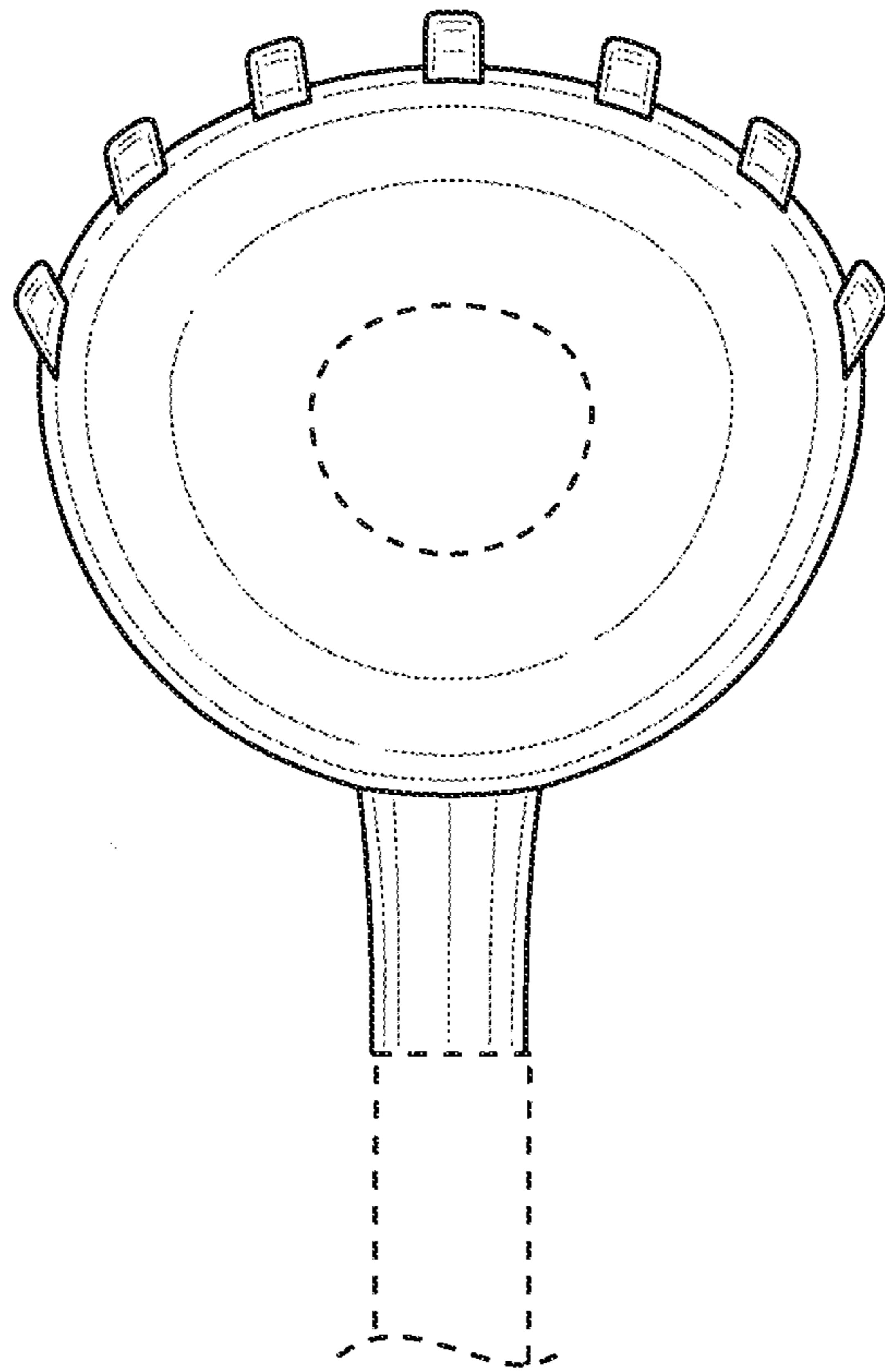


FIG. 2

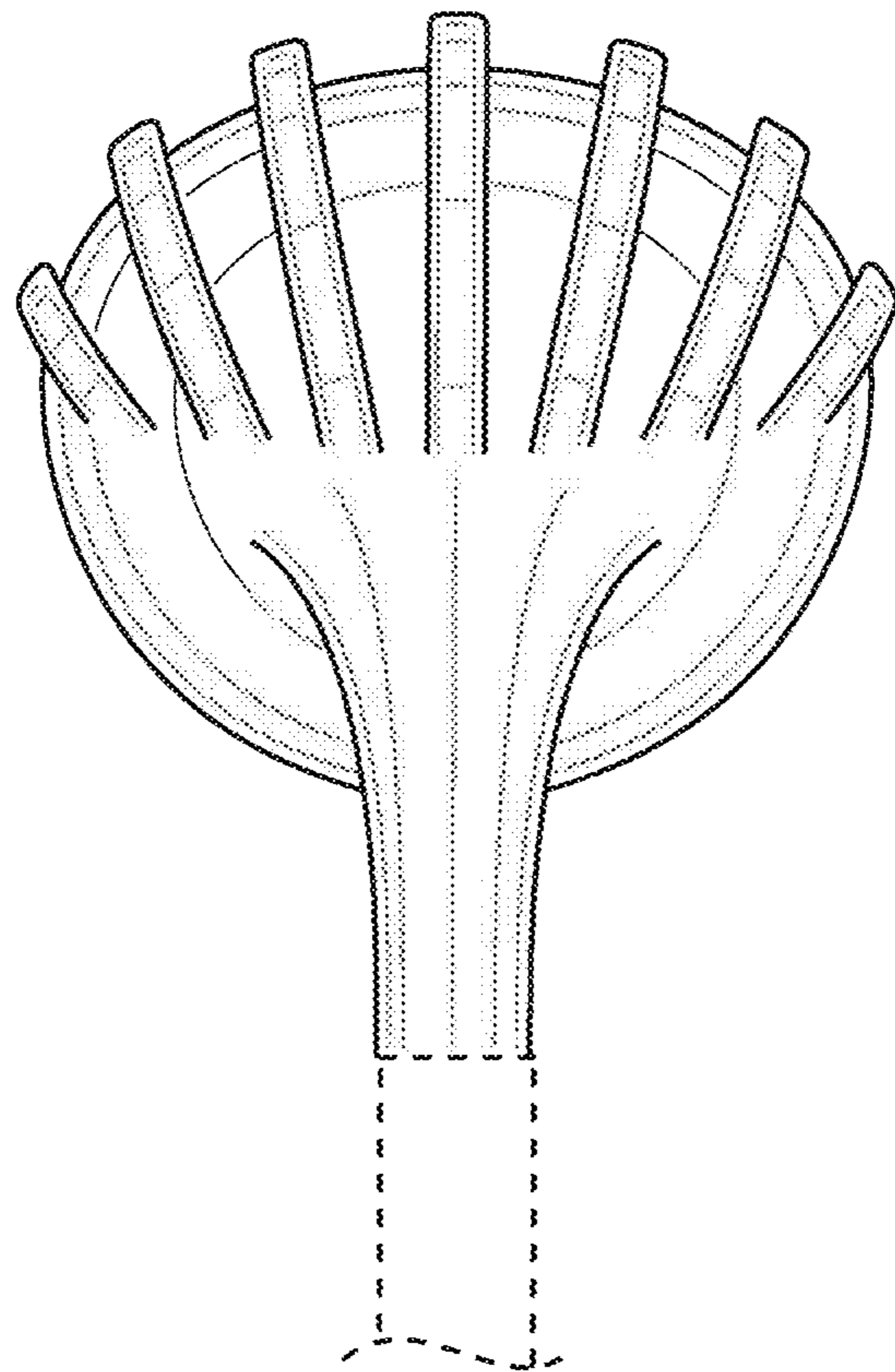


FIG. 3

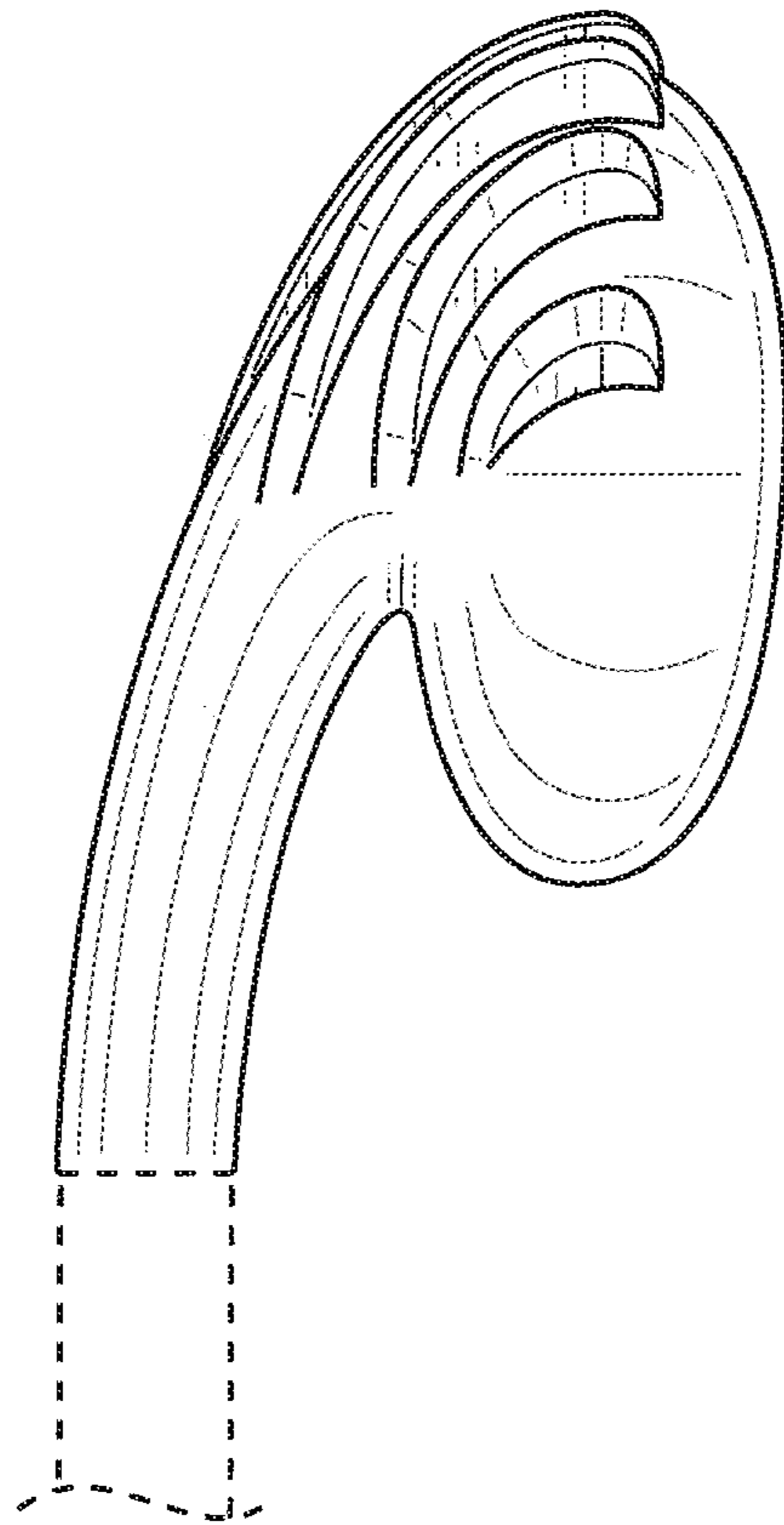


FIG. 4

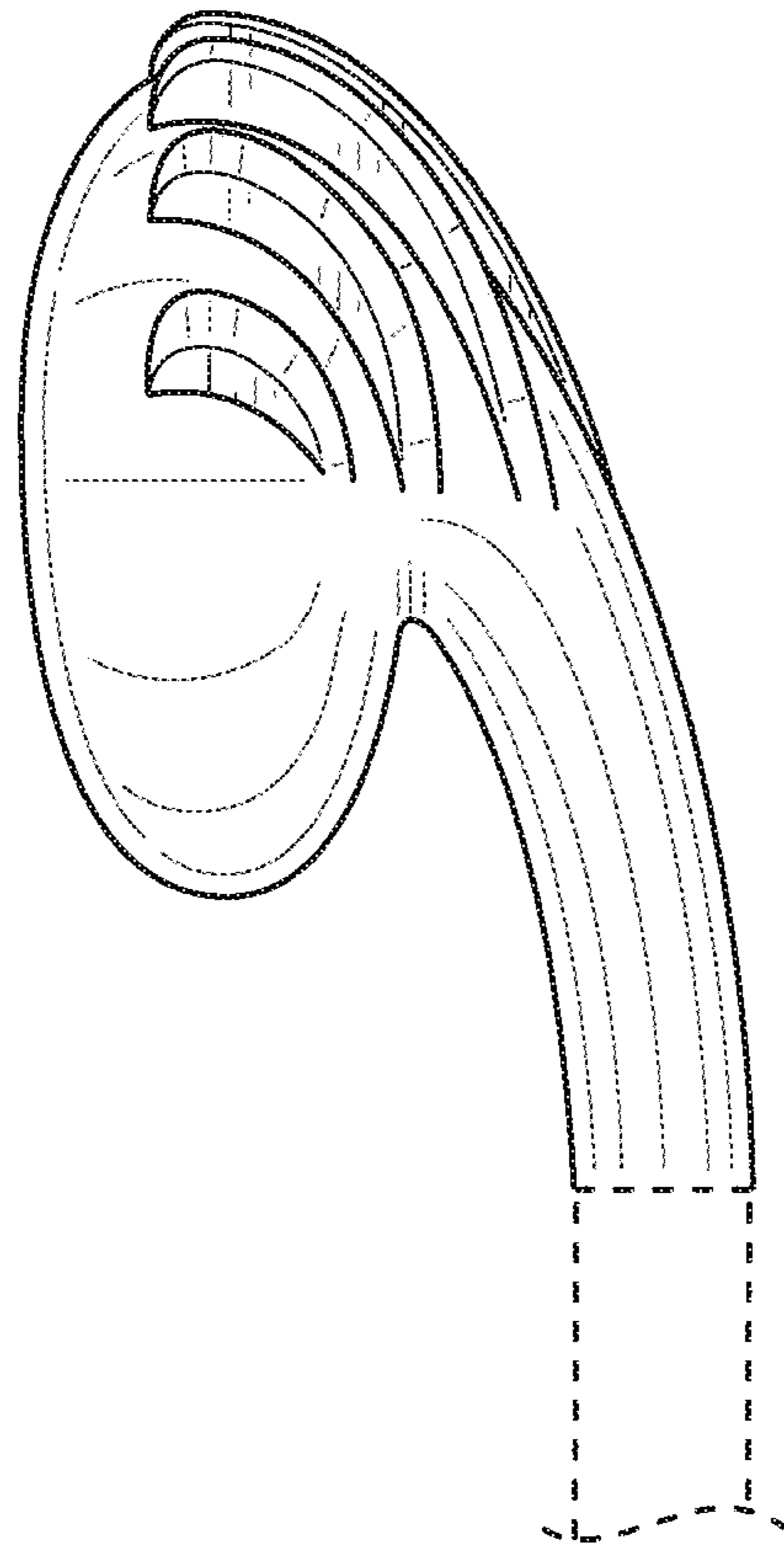


FIG. 5

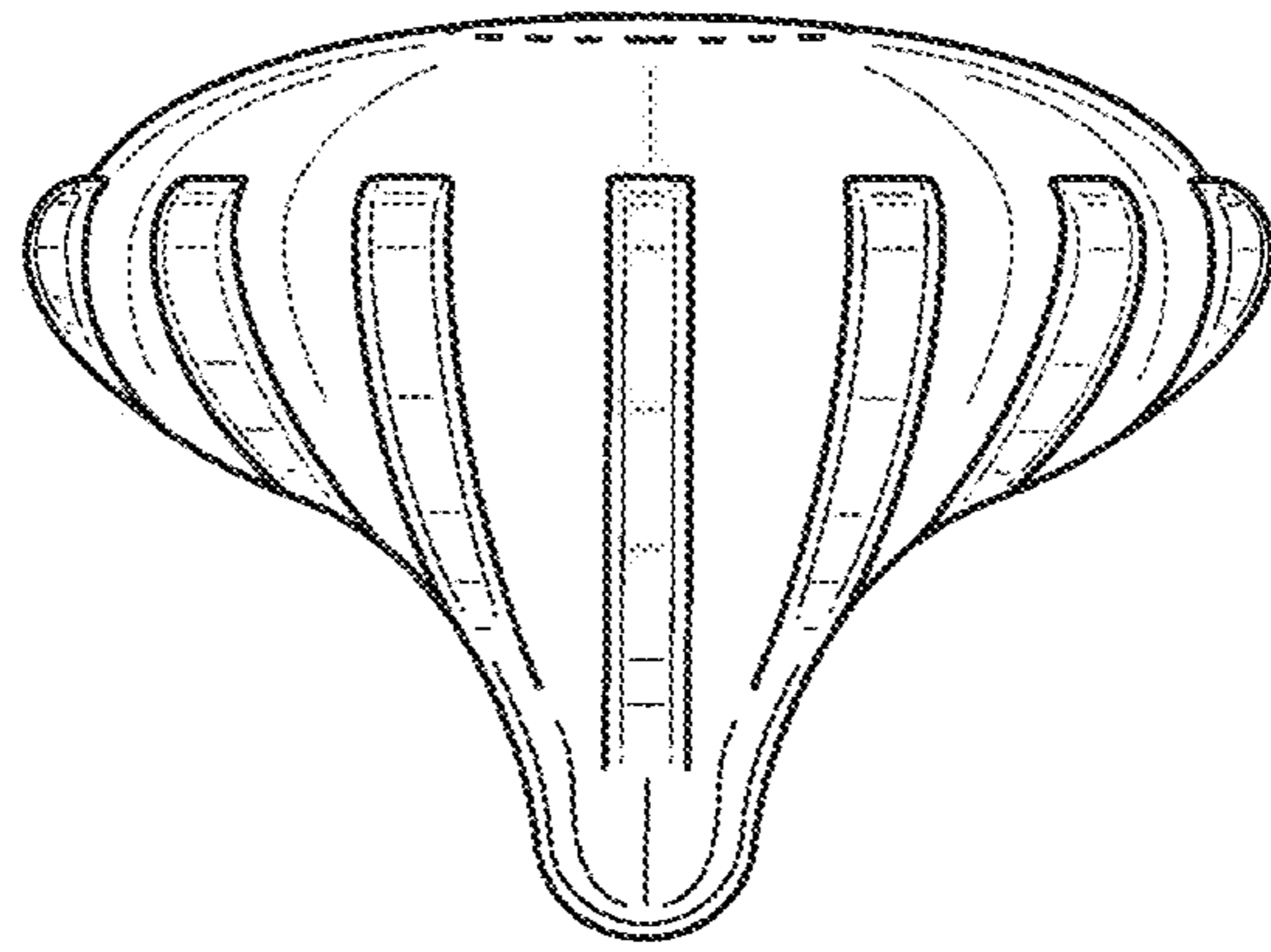


FIG. 6

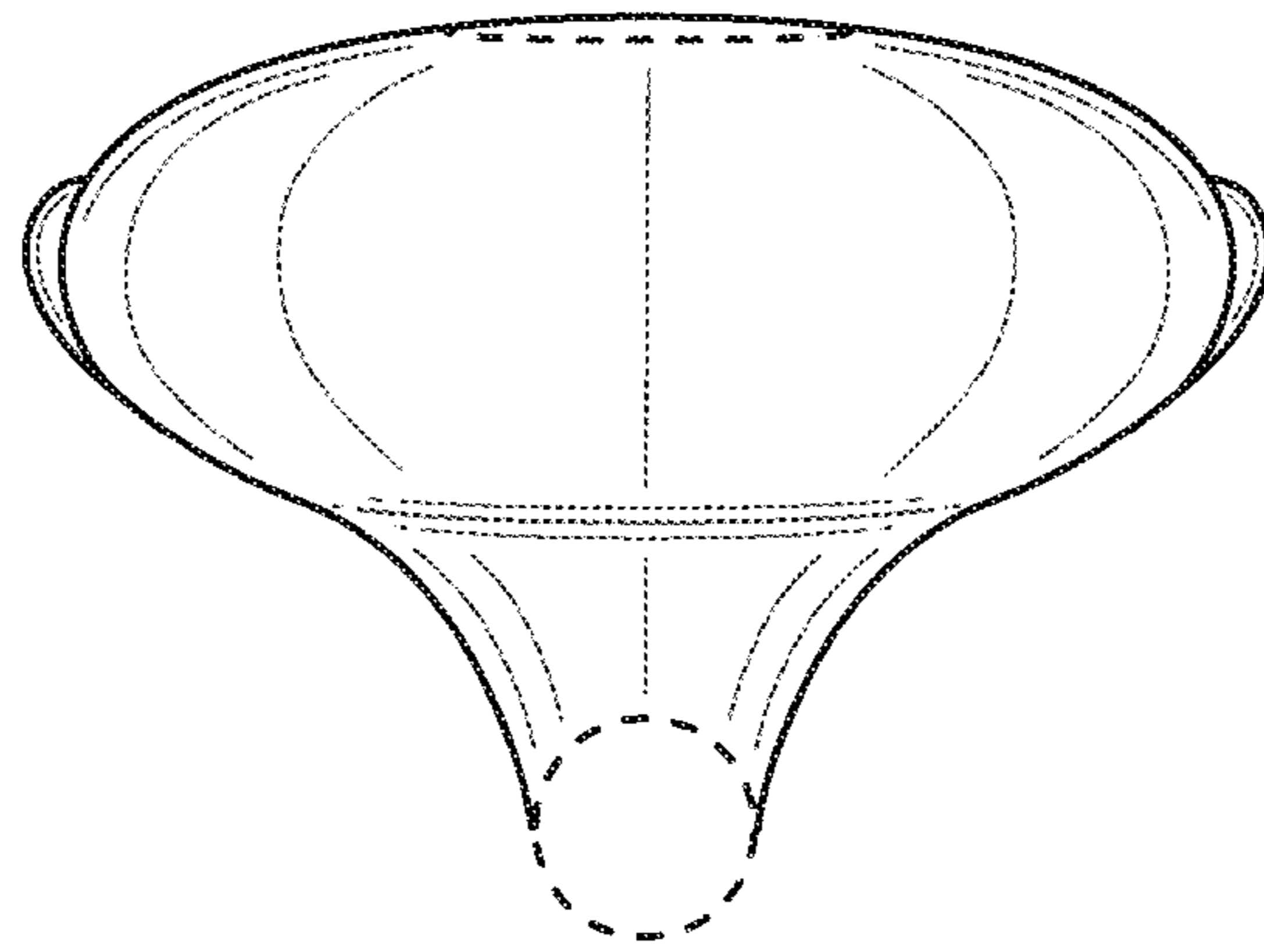


FIG. 7