



US00D789329S

(12) **United States Design Patent**
Tse

(10) **Patent No.:** **US D789,329 S**
(45) **Date of Patent:** **** Jun. 13, 2017**

(54) **BLUETOOTH SPEAKER**

(71) Applicant: **Kin Man Tse, N.T. (HK)**

(72) Inventor: **Kin Man Tse, N.T. (HK)**

(73) Assignee: **PLATFORM2 INTERNATIONAL LIMITED, N.T. (HK)**

(**) Term: **15 Years**

(21) Appl. No.: **29/547,052**

(22) Filed: **Dec. 1, 2015**

(51) **LOC (10) Cl.** **14-01**

(52) **U.S. Cl.**

USPC **D14/212; D14/204**

(58) **Field of Classification Search**

USPC D14/168, 188, 194, 195, 196, 204, 210,
D14/211, 212, 213, 214, 215, 216
CPC B60R 11/0217; G06F 1/1688; G10K 9/22;
G10K 11/004; H03F 1/327; H04M 1/03;
H04M 1/035; H04N 5/642; H04N
21/4852; H04S 3/00; H04S 7/30; H04R
1/02; H04R 1/06; H04R 1/021; H04R
1/025; H04R 1/026; H04R 1/028; H04R
1/105; H04R 1/323; H04R 1/403; H04R
1/2803; H04R 1/2834; H04R 5/02; H04R
7/20; H04R 9/06; H04R 9/025; H04R
2201/021; H04R 2400/00; H04R 2400/07;
H04R 2499/11; H04R 2499/13; H04R
2499/15

See application file for complete search history.

(56) **References Cited**

U.S. PATENT DOCUMENTS

D382,369 S * 8/1997 Yang D28/85
D501,841 S * 2/2005 Hsu D14/168

D573,134 S * 7/2008 Milks D14/214
D594,845 S * 6/2009 Skurdal D10/2
D653,652 S * 2/2012 Kroyer D14/214
D723,515 S * 3/2015 Ang D14/204
D726,685 S * 4/2015 Cheng D14/212
D743,936 S * 11/2015 Cloarec D14/210
D771,592 S * 11/2016 Cloarec D14/212

OTHER PUBLICATIONS

Fenix Wireless Bluetooth Speaker, announced Mar. 11, 2015 [online], [site visited Feb. 3, 2017]. Available from internet, URL: <<https://www.amazon.com/Fenix-Water-Resistant-Black-Triangle-Speaker/dp/B00TZ63MIC>>.*
Triangular Bluetooth Speakers, announced Oct. 11, 2015 [online], [site visited Feb. 3, 2017]. Available from internet, URL: <<http://www.trendhunter.com/trends/muo>>.*

* cited by examiner

Primary Examiner — Keli L Hill
Assistant Examiner — Karra S Johnson

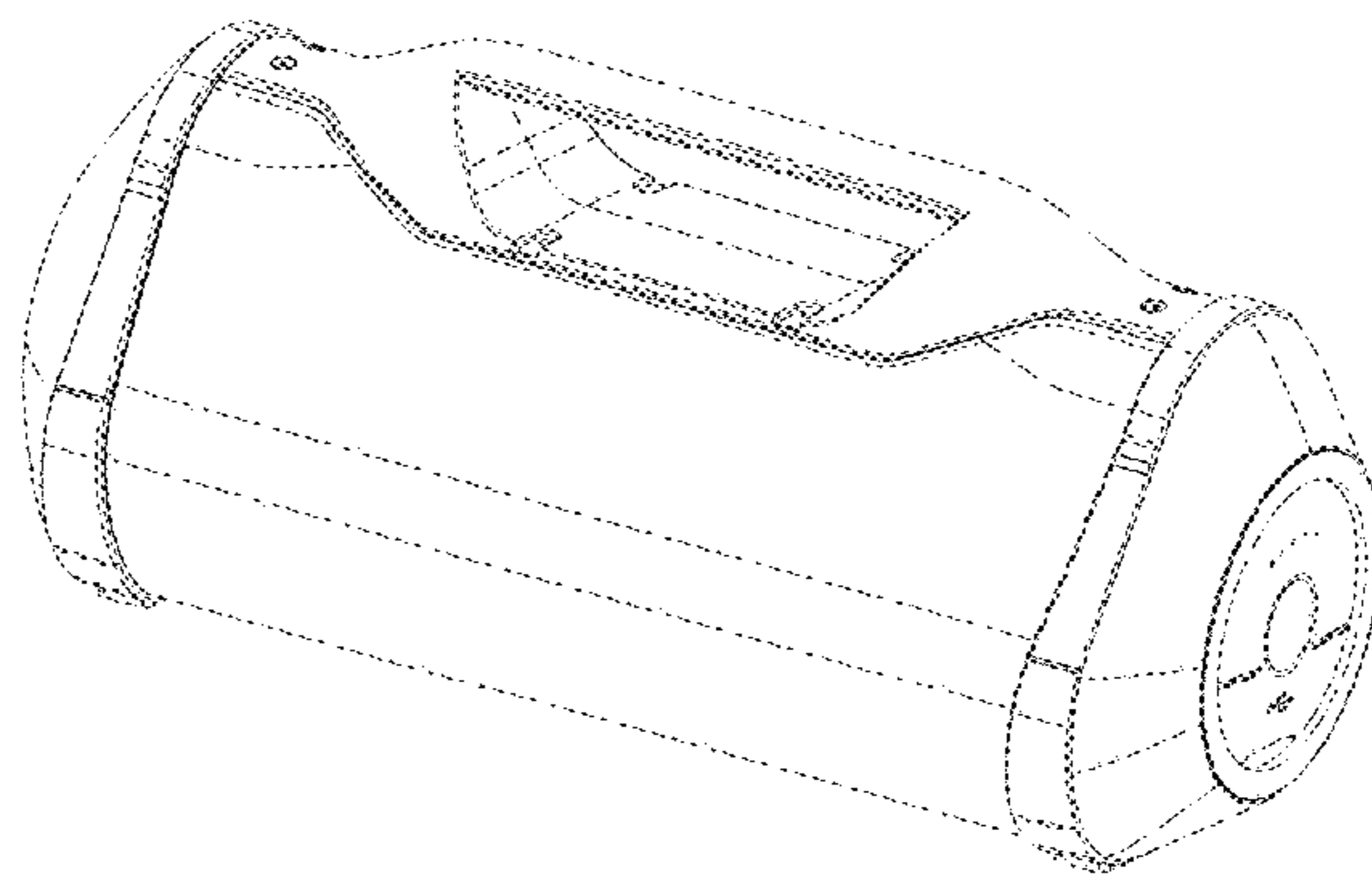
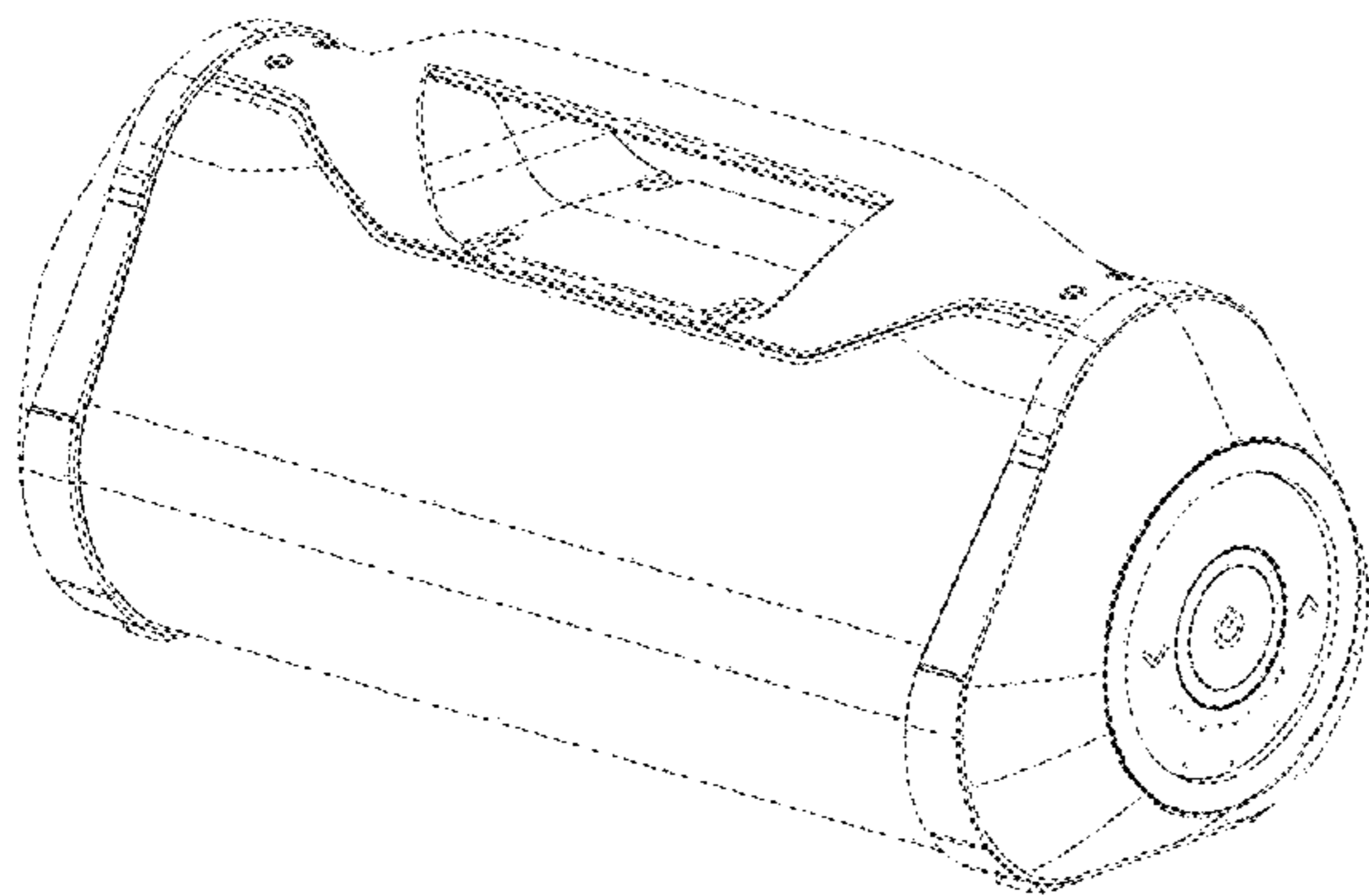
(57) **CLAIM**

The ornamental design for a bluetooth speaker, as shown.

DESCRIPTION

FIG. 1 is a front elevational view of a bluetooth speaker showing my new design;
FIG. 2 is a rear elevational view thereof;
FIG. 3 is a left side view thereof;
FIG. 4 is a right side view thereof;
FIG. 5 is atop plan view thereof;
FIG. 6 is a bottom plan view thereof;
FIG. 7 is a perspective view thereof; and,
FIG. 8 is another perspective view thereof.

1 Claim, 4 Drawing Sheets



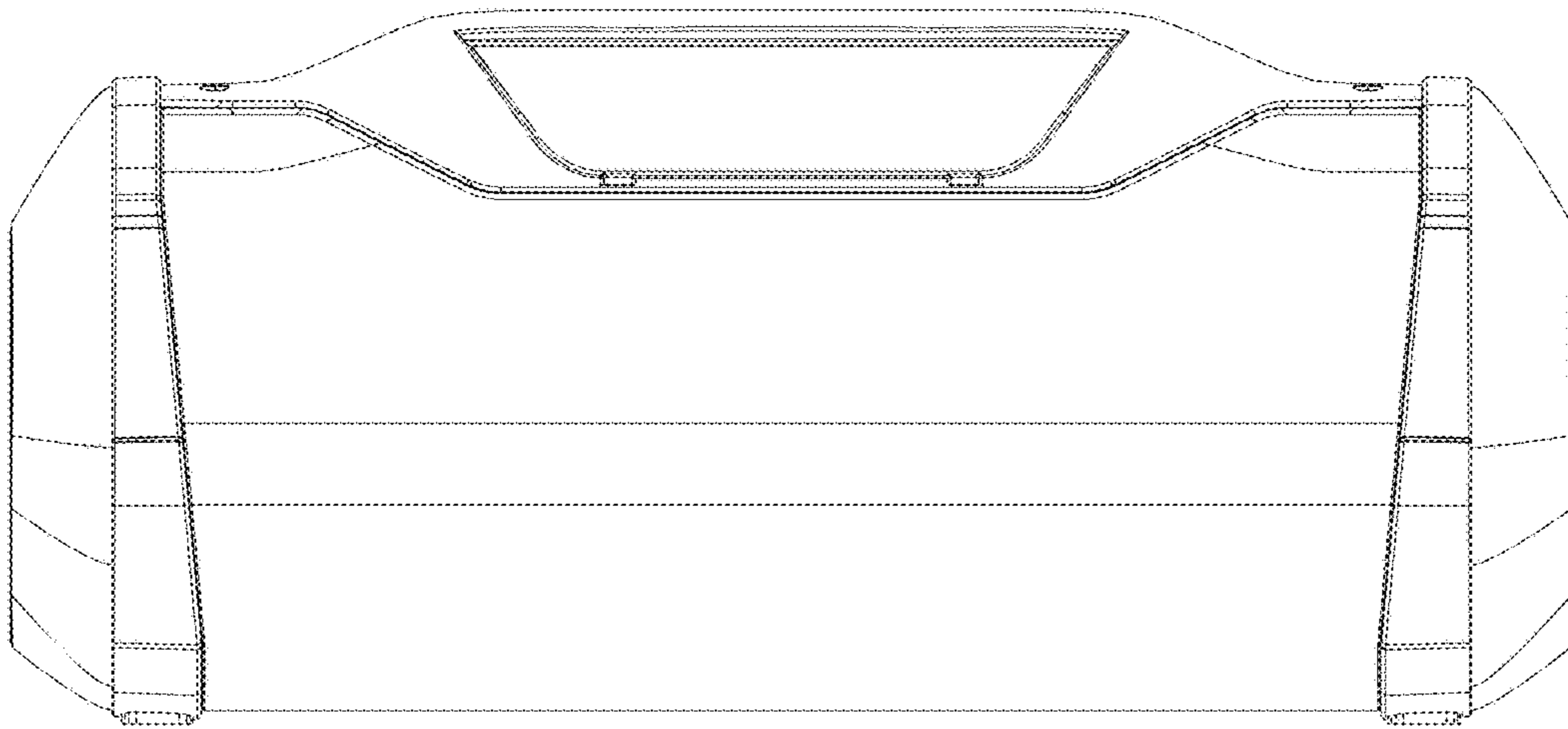


FIG. 1

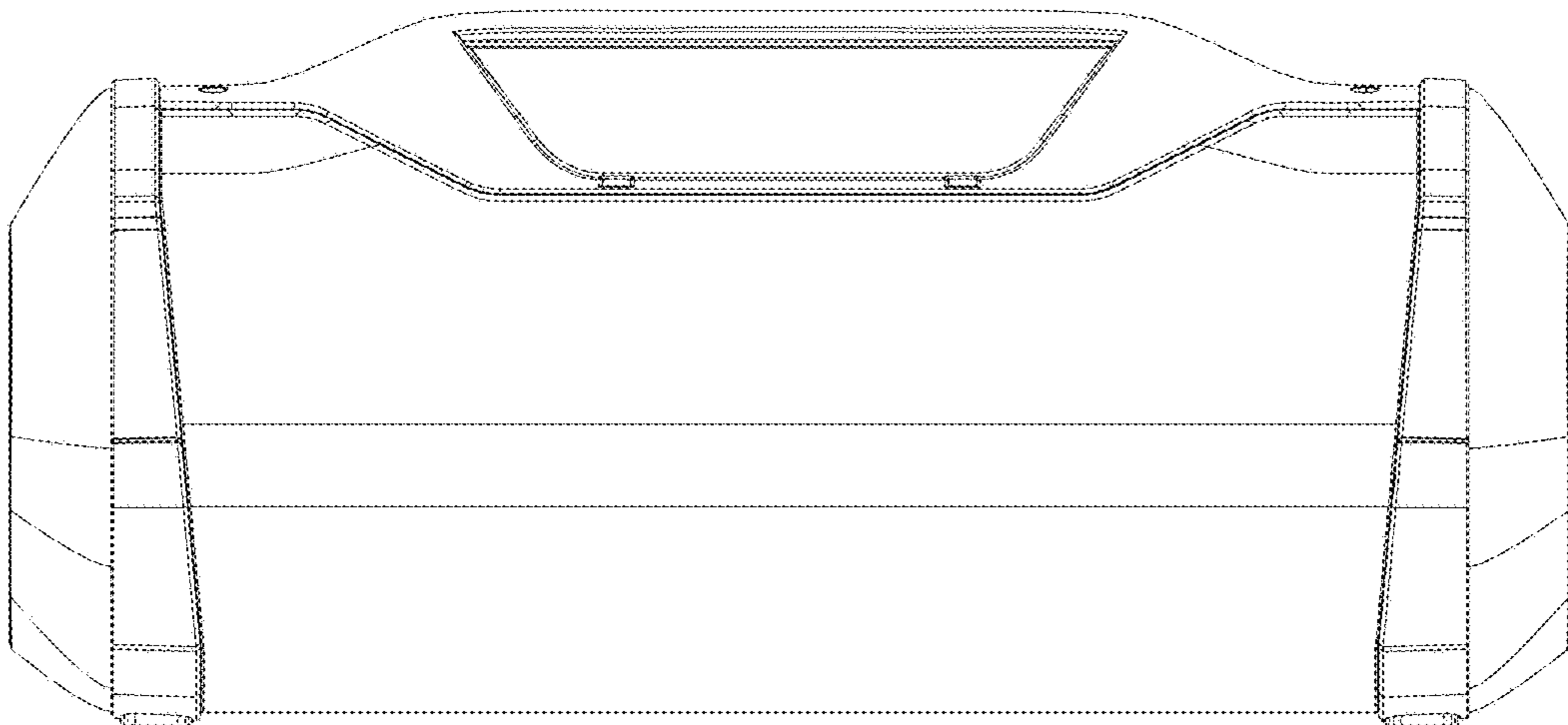


FIG. 2

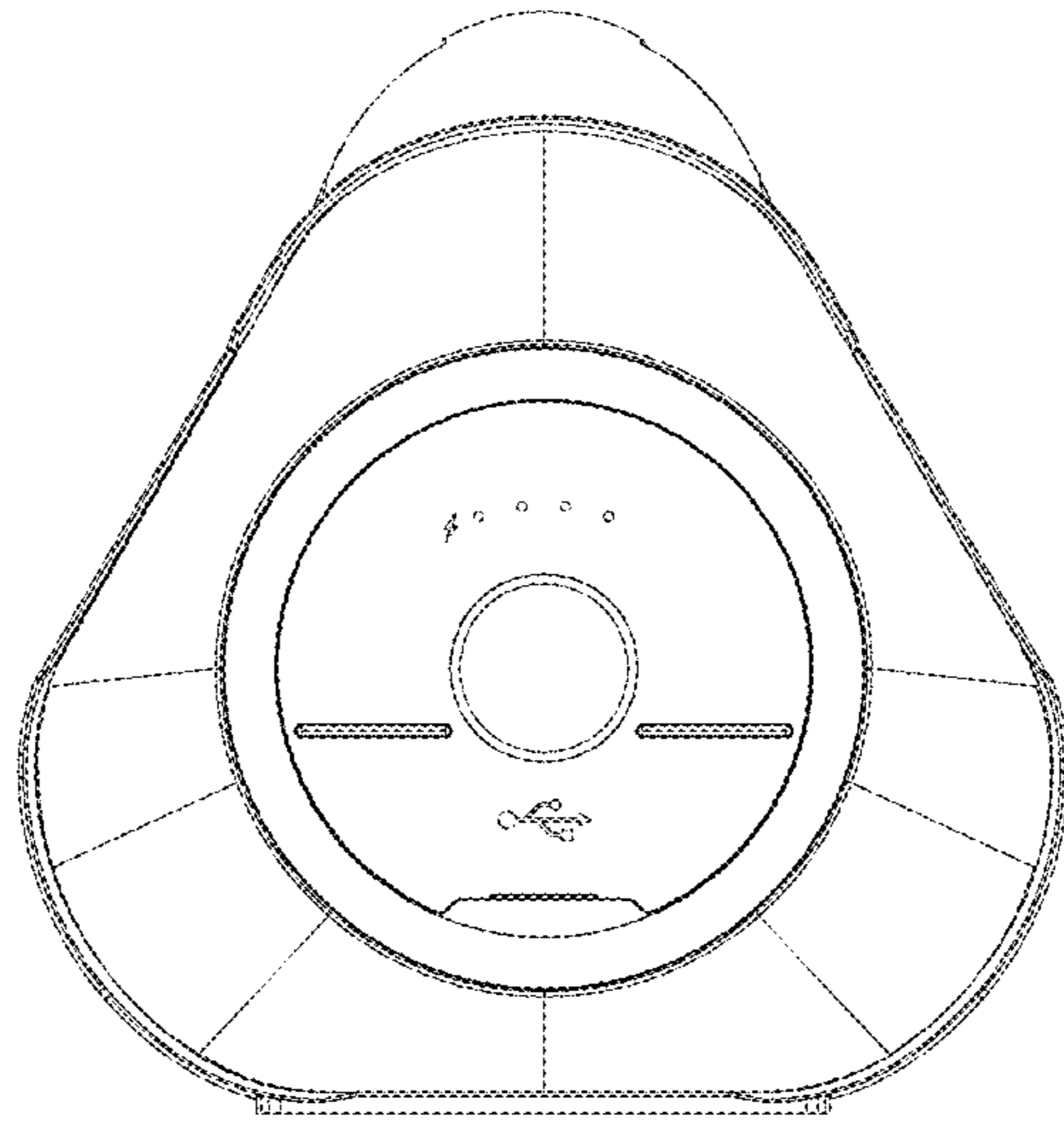


FIG. 3

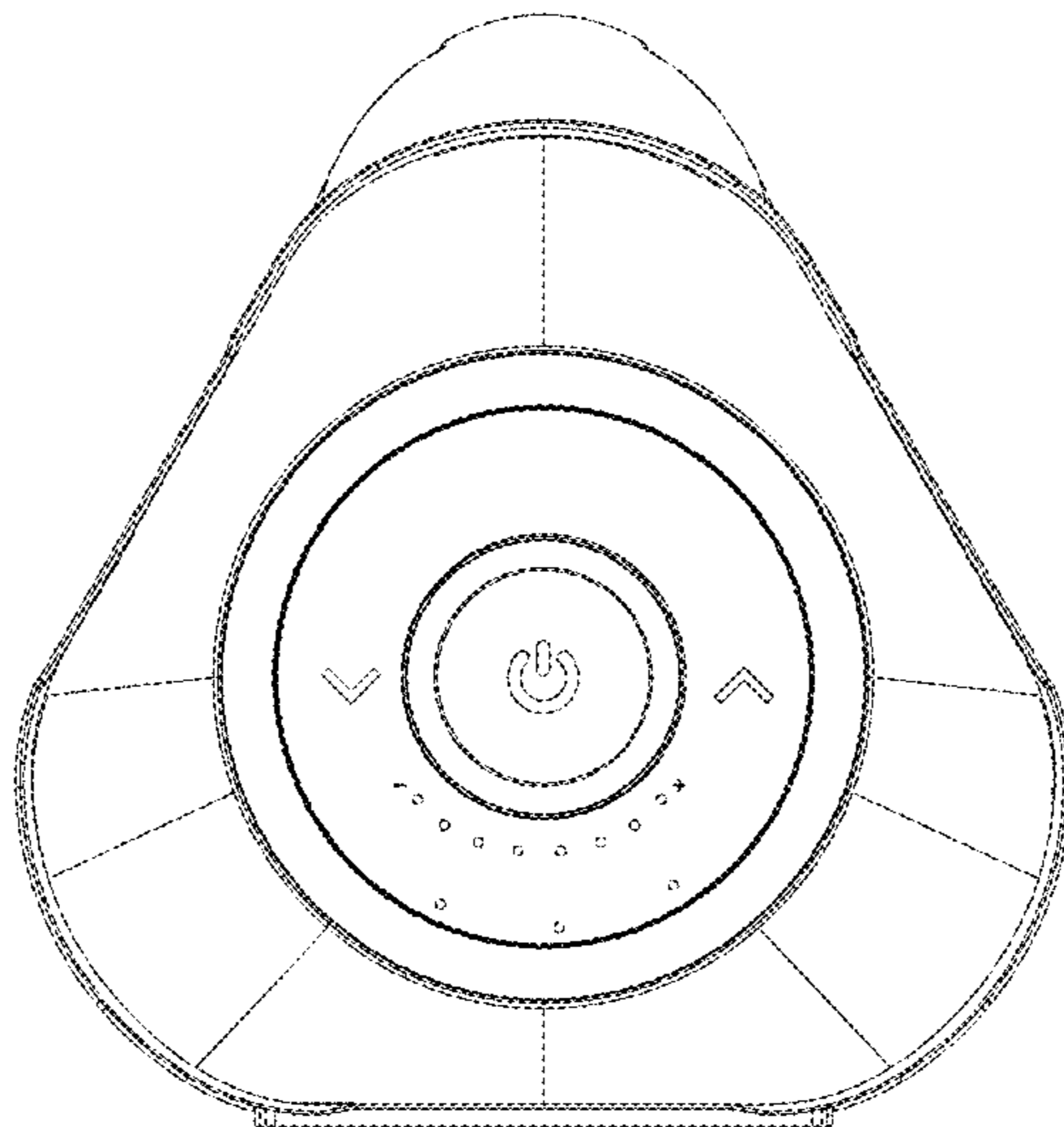


FIG. 4

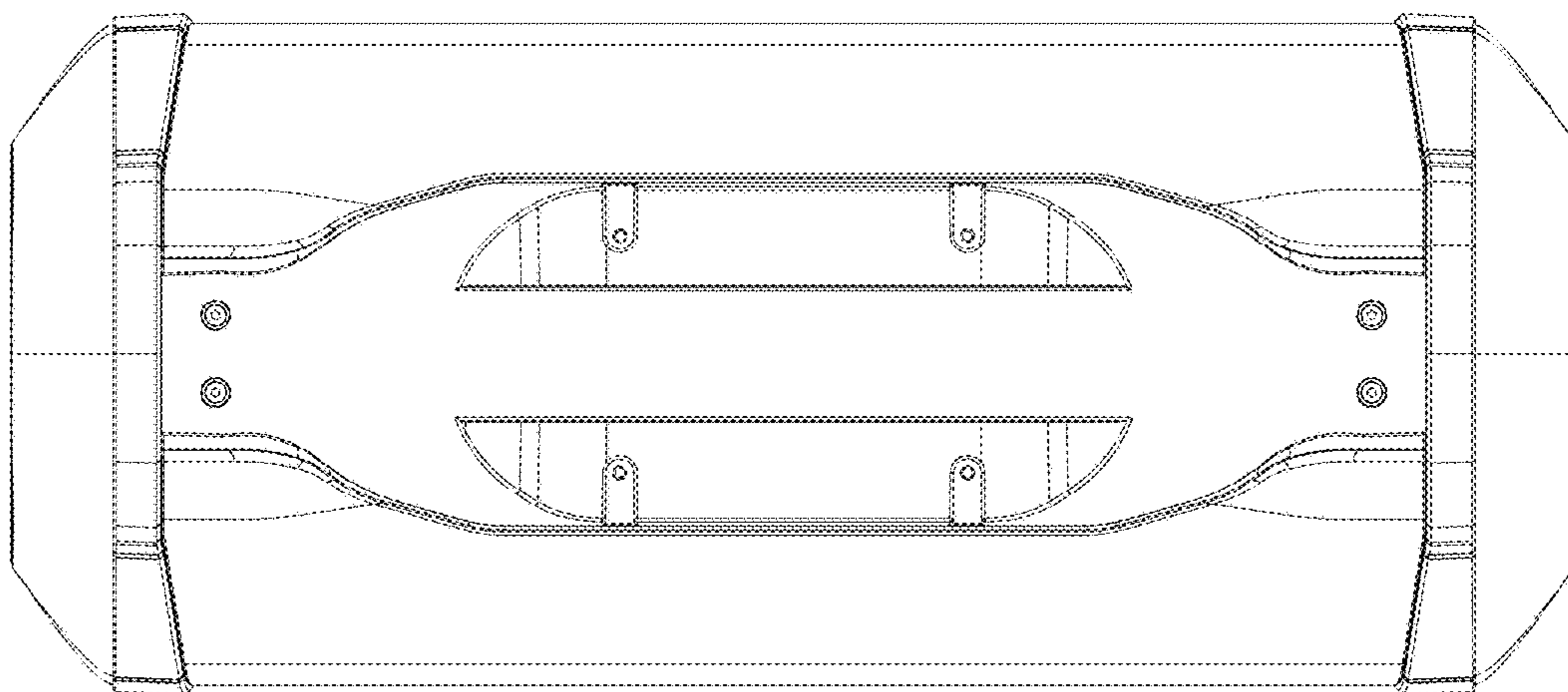


FIG. 5



FIG. 6

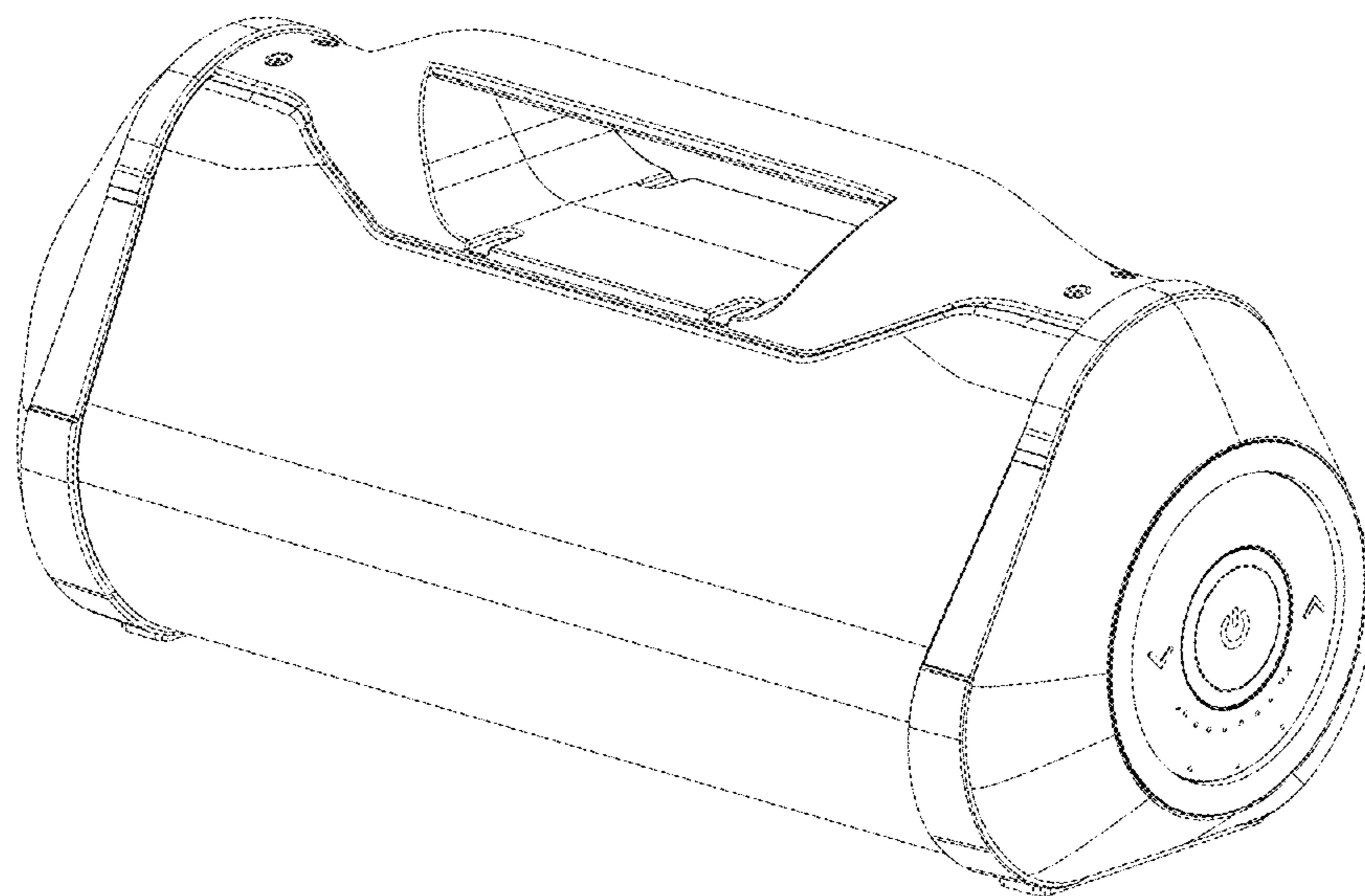


FIG. 7

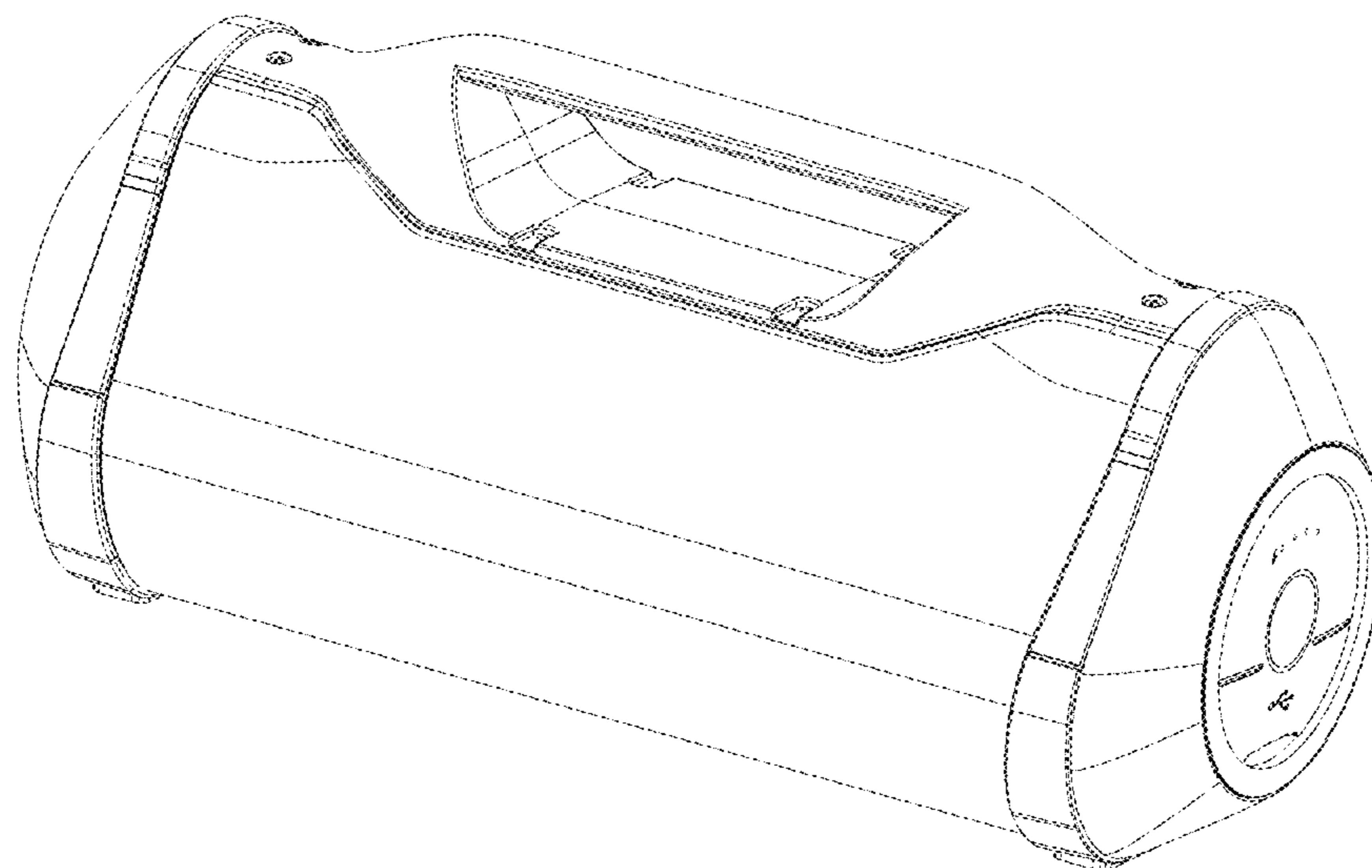


FIG. 8