



US00D789327S

(12) **United States Design Patent**  
**Miyake et al.**

(10) **Patent No.:** **US D789,327 S**  
(45) **Date of Patent:** **\*\* Jun. 13, 2017**

(54) **EARPHONE**

(71) Applicant: **Sony Corporation**, Tokyo (JP)

(72) Inventors: **Ryo Miyake**, Tokyo (JP); **Shogo Yashiro**, Tokyo (JP); **Jun Katsumata**, Shizuoka (JP); **Kok Keong Lim**, The Strategy Singapore (SG)

(73) Assignee: **SONY CORPORATION**, Tokyo (JP)

(\*\*) Term: **14 Years**

(21) Appl. No.: **29/519,237**

(22) Filed: **Mar. 3, 2015**

**Related U.S. Application Data**

(63) Continuation-in-part of application No. 29/483,330, filed on Feb. 27, 2014, now Pat. No. Des. 729,776.

(30) **Foreign Application Priority Data**

Aug. 29, 2013 (JP) ..... D2013-019941  
Aug. 29, 2013 (JP) ..... D2013-019942  
(Continued)

(51) **LOC (10) Cl.** ..... **14-01**

(52) **U.S. Cl.**  
USPC ..... **D14/205**

(58) **Field of Classification Search**  
USPC ..... D14/205, 223, 188, 192; D29/112;  
2/209; 181/129, 130, 135; 379/430, 431;  
(Continued)

(56) **References Cited**

**U.S. PATENT DOCUMENTS**

D106,823 S 11/1937 Sears  
D135,674 S 5/1943 Williams et al.  
(Continued)

**FOREIGN PATENT DOCUMENTS**

CN 302578398 S 9/2013  
JP D1404725 S 1/2011

(Continued)

**OTHER PUBLICATIONS**

Website, PCMAG.com, "Harmon Kardon Soho Wireless," <http://www.pcmag.com/article2/0,2817,2475370,00.asp>, posted Feb. 6, 2015.

(Continued)

*Primary Examiner* — Paula Greene

(74) *Attorney, Agent, or Firm* — Michael Best and Friedrich LLP

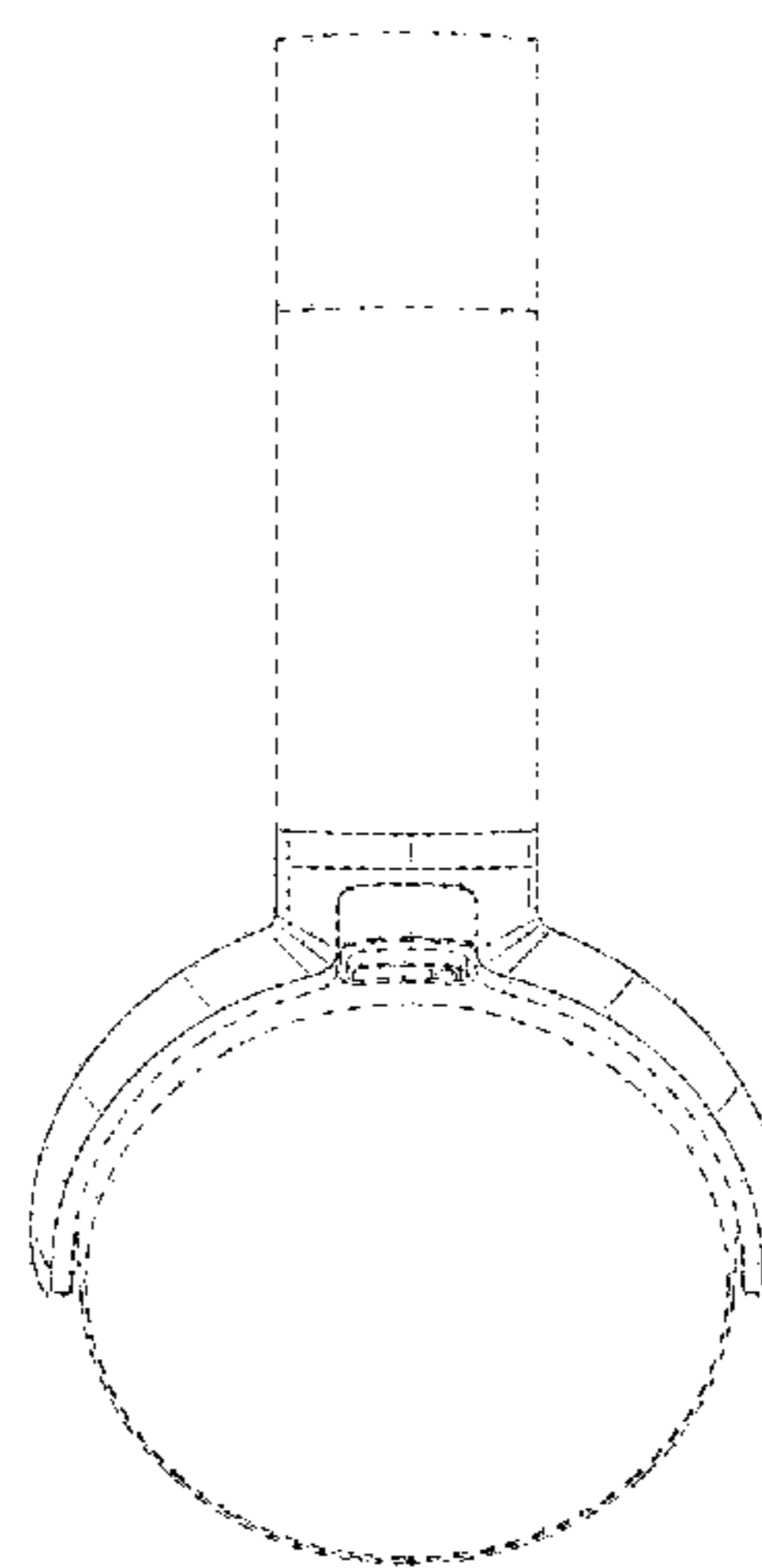
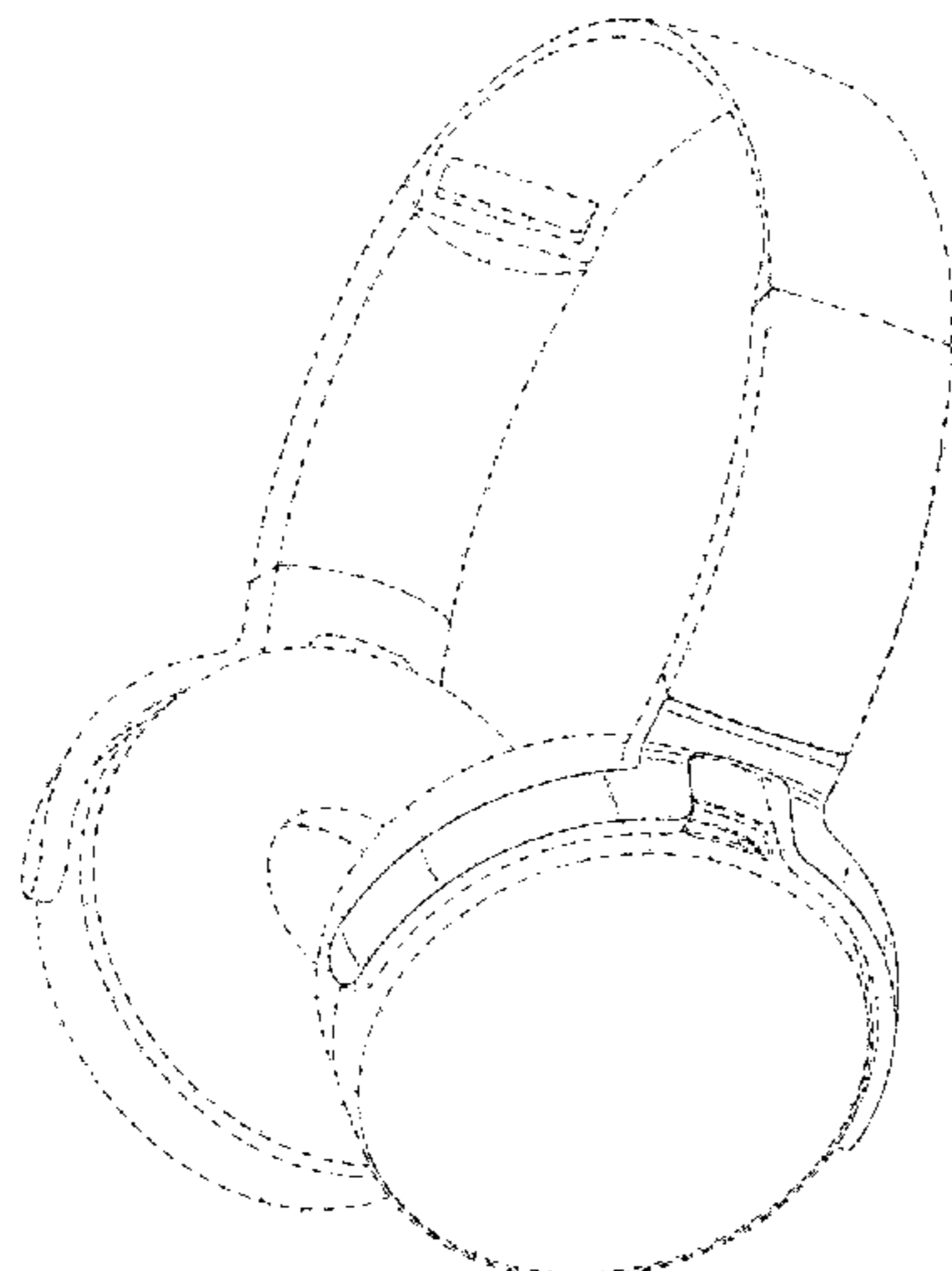
(57) **CLAIM**

The ornamental design for an earphone, as shown and described.

**DESCRIPTION**

FIG. 1 is a front, top, right perspective view of a first embodiment of a headphone showing our new design; FIG. 2 is a front, bottom, right perspective view thereof; FIG. 3 is a front elevational view thereof; FIG. 4 is a rear elevational view thereof; FIG. 5 is a right side elevational view thereof; and FIG. 6 is a top plan view thereof. FIG. 7 is a front, top, right perspective view of a second embodiment of a headphone showing our new design; FIG. 8 is a front, bottom, right perspective view thereof; FIG. 9 is a front elevational view thereof; FIG. 10 is a rear elevational view thereof; FIG. 11 is a right side elevational view thereof; and FIG. 12 is a top plan view thereof. FIG. 13 is a front, top, right perspective view of a third embodiment of a headphone showing our new design; FIG. 14 is a rear, bottom, right perspective view thereof; FIG. 15 is a front elevational view thereof; FIG. 16 is a rear elevational view thereof; FIG. 17 is a right side elevational view thereof; and, FIG. 18 is a top plan view thereof.

**1 Claim, 18 Drawing Sheets**



(30) Foreign Application Priority Data

Aug. 29, 2013 (JP) ..... D2013-019943  
 Aug. 30, 2013 (CN) ..... 2013 3 0418953  
 Sep. 3, 2014 (CN) ..... 2014 3 0324792  
 Dec. 9, 2014 (CN) ..... 2014 3 0511146  
 Dec. 26, 2014 (JP) ..... D2014-029472  
 Dec. 26, 2014 (JP) ..... D2014-029473  
 Dec. 26, 2014 (JP) ..... D2014-029474  
 Dec. 26, 2014 (JP) ..... D2014-029475  
 Dec. 26, 2014 (JP) ..... D2014-029476

(58) Field of Classification Search

USPC ..... 381/380, 381, 374; 455/90.3, 575.1;  
 63/33, 23, 26; 54/3, 46.1, 77  
 CPC ..... H04R 25/00  
 See application file for complete search history.

(56) References Cited

U.S. PATENT DOCUMENTS

D206,228 S 11/1966 Strzalkawski  
 D206,718 S 1/1967 Barry  
 D208,784 S 10/1967 Sanzone  
 D262,019 S \* 11/1981 Upshaw ..... D14/205  
 D340,932 S \* 11/1993 Yan ..... D14/249  
 D353,379 S \* 12/1994 Nakamura ..... D14/223  
 D432,522 S \* 10/2000 Kieltyka ..... D14/214  
 6,195,441 B1 \* 2/2001 Ito ..... H04R 5/0335  
 381/370  
 D468,301 S 1/2003 Fushimi  
 D508,484 S \* 8/2005 Okada ..... D14/205  
 D511,156 S \* 11/2005 Eroma ..... D14/205  
 D524,794 S 7/2006 Kim  
 7,089,042 B2 \* 8/2006 Bodley ..... H04M 1/05  
 381/104  
 D529,612 S 10/2006 Feeley et al.  
 D554,109 S \* 10/2007 Ledbetter ..... D14/223  
 D564,098 S 3/2008 Lockenwitz  
 D564,495 S 3/2008 Sasaki  
 D567,217 S 4/2008 Kamo et al.  
 D584,715 S \* 1/2009 Brennwald ..... D14/205  
 D587,247 S 2/2009 Densho  
 D587,248 S 2/2009 Densho  
 D587,249 S 2/2009 Densho  
 D587,681 S 3/2009 Yanai  
 D591,263 S \* 4/2009 Shimizu ..... D14/205  
 D593,995 S \* 6/2009 Shimizu ..... D14/205  
 7,551,748 B2 6/2009 Kamo et al.  
 D597,084 S \* 7/2009 Gondo ..... D14/223  
 D598,431 S 8/2009 Densho  
 D600,674 S \* 9/2009 Brennwald ..... D14/205  
 D605,636 S 12/2009 Yang  
 D605,769 S 12/2009 Sjursen et al.  
 D610,129 S 2/2010 Densho et al.  
 D619,561 S \* 7/2010 Yang ..... D14/205  
 D625,704 S \* 10/2010 Cheng ..... D14/205  
 D625,705 S \* 10/2010 Ohori ..... D14/205  
 D631,470 S 1/2011 Yoneyama et al.  
 D632,668 S \* 2/2011 Brunner ..... D14/205  
 D635,960 S \* 4/2011 Gondo ..... D14/223  
 D647,877 S \* 11/2011 Son ..... D14/206  
 D651,764 S \* 1/2012 Gresko ..... D29/112

8,098,872 B2 \* 1/2012 Chang ..... H04R 1/1075  
 381/370  
 D657,344 S \* 4/2012 Brunner ..... D14/205  
 D657,347 S \* 4/2012 Chung ..... D14/206  
 D670,274 S 11/2012 Katsumata et al.  
 D673,136 S \* 12/2012 Kelly ..... D14/205  
 D673,520 S \* 1/2013 Tan ..... D14/205  
 D674,767 S \* 1/2013 Brunner ..... D14/205  
 D675,595 S \* 2/2013 Cho ..... D14/205  
 D677,243 S \* 3/2013 Kitayama ..... D14/205  
 D678,860 S \* 3/2013 Hagelin ..... D14/205  
 8,391,533 B2 3/2013 Sim et al.  
 D679,682 S 4/2013 Shimizu et al.  
 D680,102 S 4/2013 Chen  
 D682,257 S 5/2013 Zheng et al.  
 D683,329 S \* 5/2013 Hagelin ..... D14/205  
 D684,141 S \* 6/2013 Takamoto ..... D14/205  
 D689,843 S \* 9/2013 Lee ..... D14/205  
 D691,109 S \* 10/2013 Hardi ..... D14/205  
 D695,261 S \* 12/2013 Katsumata ..... D14/205  
 D699,702 S \* 2/2014 Chen ..... D14/205  
 D702,668 S 4/2014 Narita et al.  
 D704,161 S \* 5/2014 Morimoto ..... D14/205  
 D704,674 S \* 5/2014 Shimizu ..... D14/205  
 D704,675 S \* 5/2014 Choteau ..... D14/205  
 D705,757 S 5/2014 Yashiro  
 D706,241 S \* 6/2014 Szymanski ..... D14/205  
 D707,657 S 6/2014 Burt et al.  
 D710,334 S 8/2014 Yang  
 D711,858 S 8/2014 Yang  
 D713,384 S \* 9/2014 McNamara ..... D14/205  
 D715,775 S 10/2014 Rueskov  
 D718,649 S \* 12/2014 Harel-Klein ..... D11/40  
 D719,476 S \* 12/2014 Harel-Klein ..... D11/79  
 D719,550 S 12/2014 Yang  
 D729,776 S \* 5/2015 Miyake ..... D14/205  
 D734,297 S \* 7/2015 Sasaki ..... D14/205  
 D736,185 S \* 8/2015 Yaegashi ..... D14/223  
 D738,851 S \* 9/2015 Sawada ..... D14/206  
 D741,550 S \* 10/2015 Edwardsson ..... D29/112  
 D747,702 S \* 1/2016 Breines ..... D14/223  
 D765,055 S \* 8/2016 Hsieh ..... D14/205  
 D767,531 S \* 9/2016 Szymanski ..... D14/205  
 D768,110 S \* 10/2016 Suzuki ..... D14/205  
 2007/0189570 A1 8/2007 Matsuo et al.

FOREIGN PATENT DOCUMENTS

JP D1437170 S 4/2012  
 JP D1452156 S 10/2012

OTHER PUBLICATIONS

Website, Amazon.com, "Panasonic RP-HC500 Noise-Canceling Headphones," <http://www.amazon.com/Panasonic-RP-HC500-Noise-Canceling-Discontinued-Manufacturer/dp/B000OKH6ZI>, product originally available Oct. 2, 2001.  
 Website, Oh My Gadget!, "Phillips introduced a 'city' headphones SHL5705 and SHL5505," <http://omgdgt.com/2014/02/philips-introduced-a-city-headphones-shl5705-and-shl5505/>, posted Feb. 11, 2014.  
 Office Action issued in Japanese Application No. D2014-029476, dated May 7, 2015.

\* cited by examiner

FIG.1

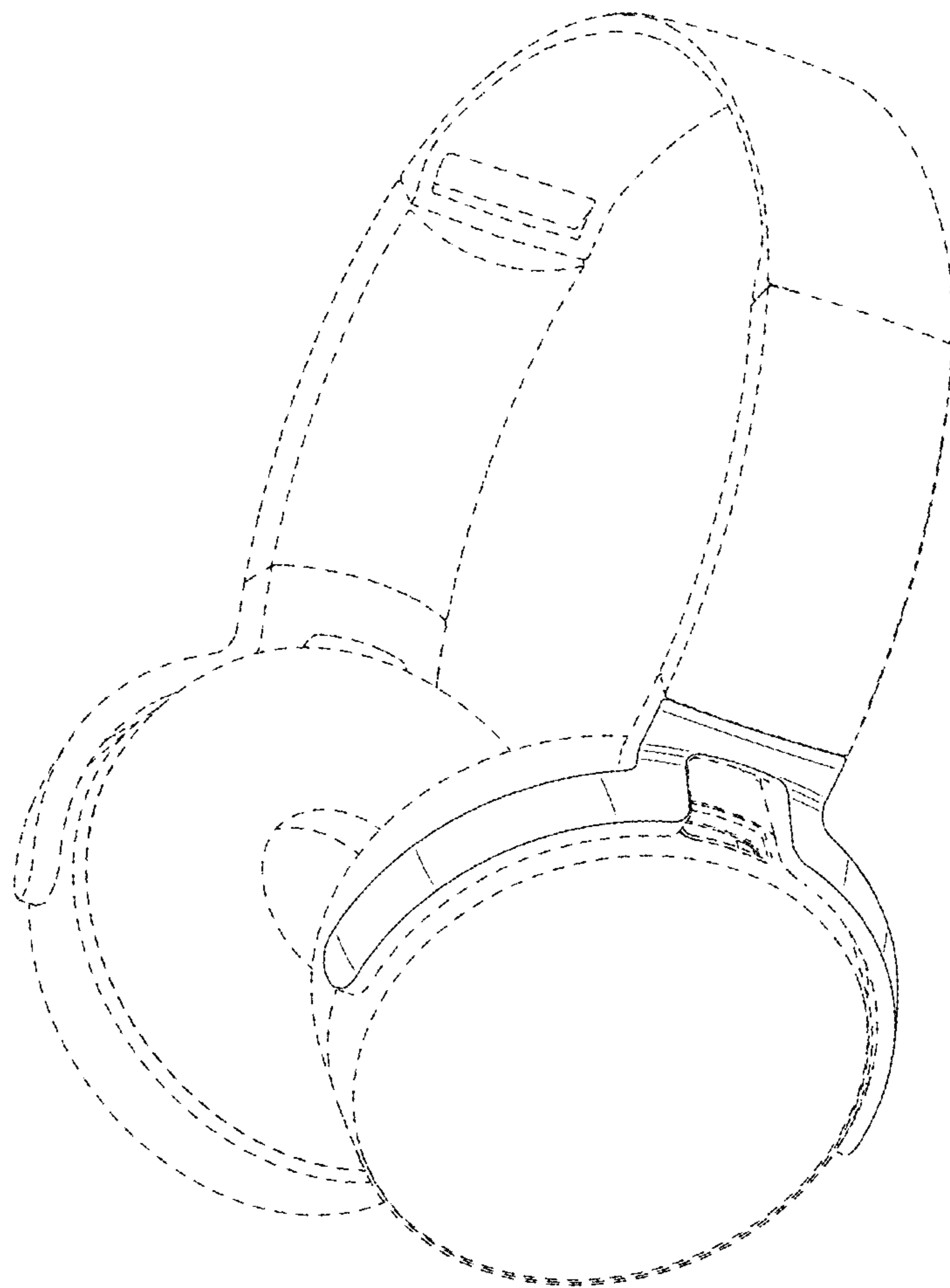


FIG.2

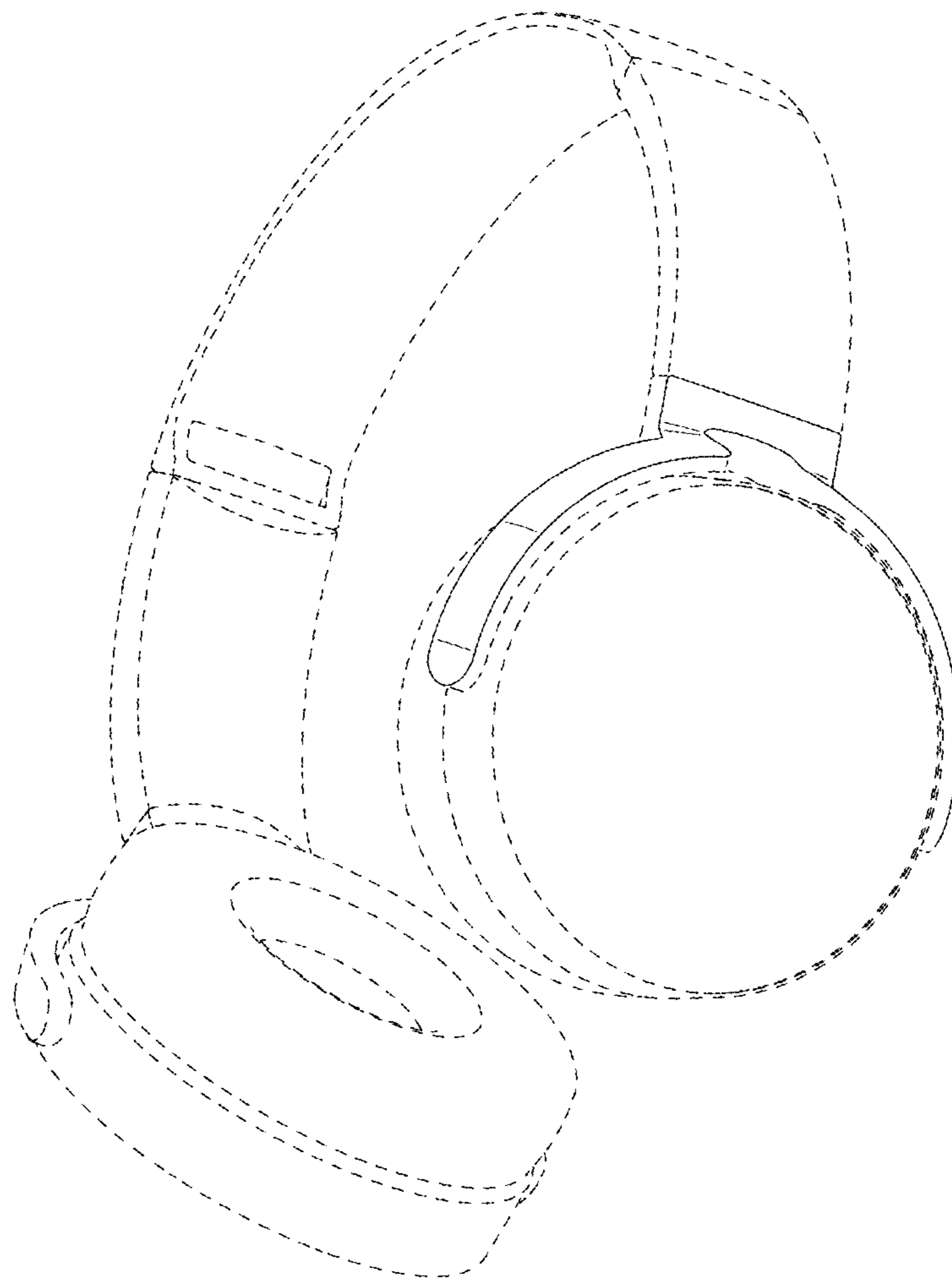


FIG.3

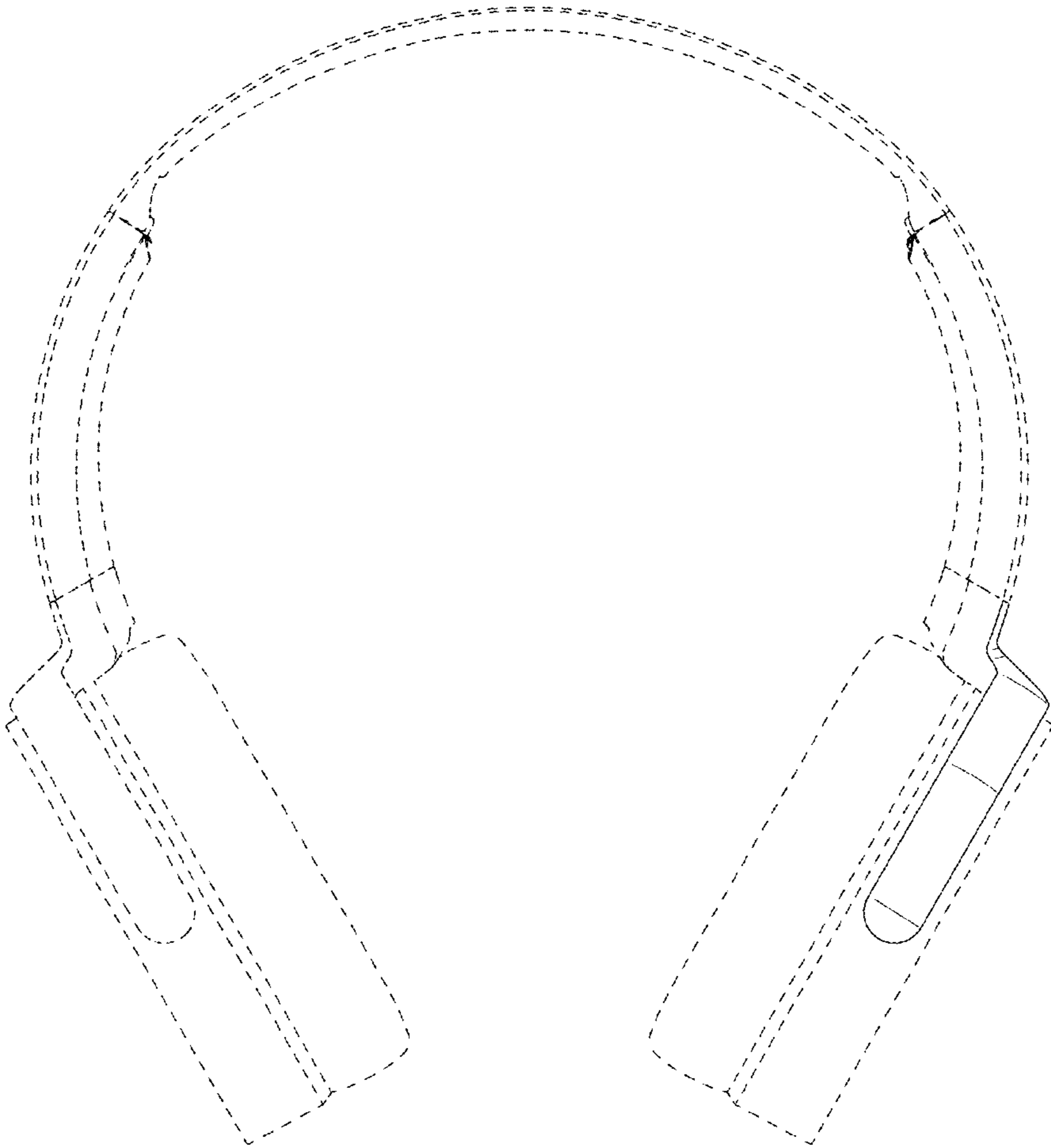


FIG.4

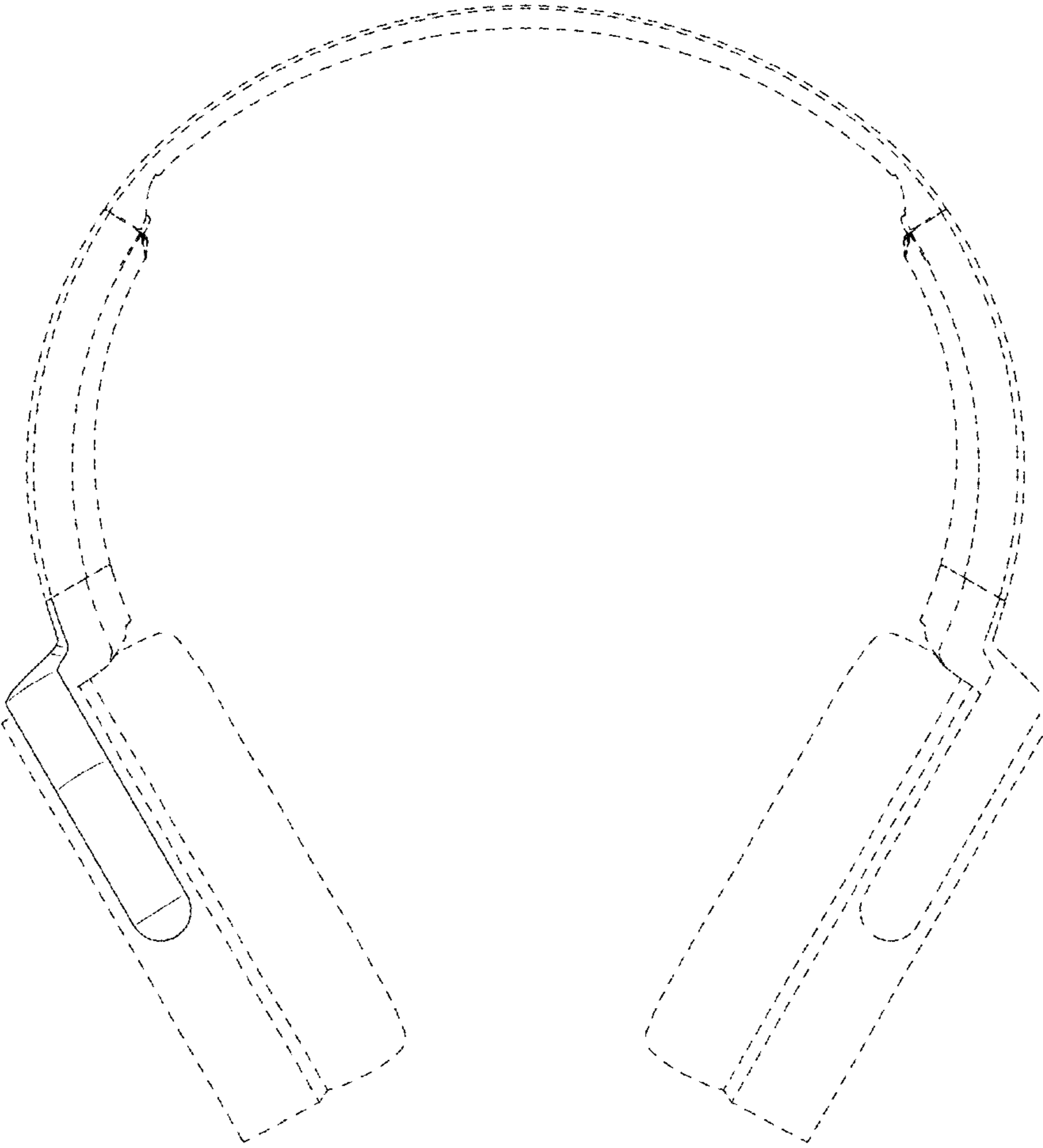


FIG.5

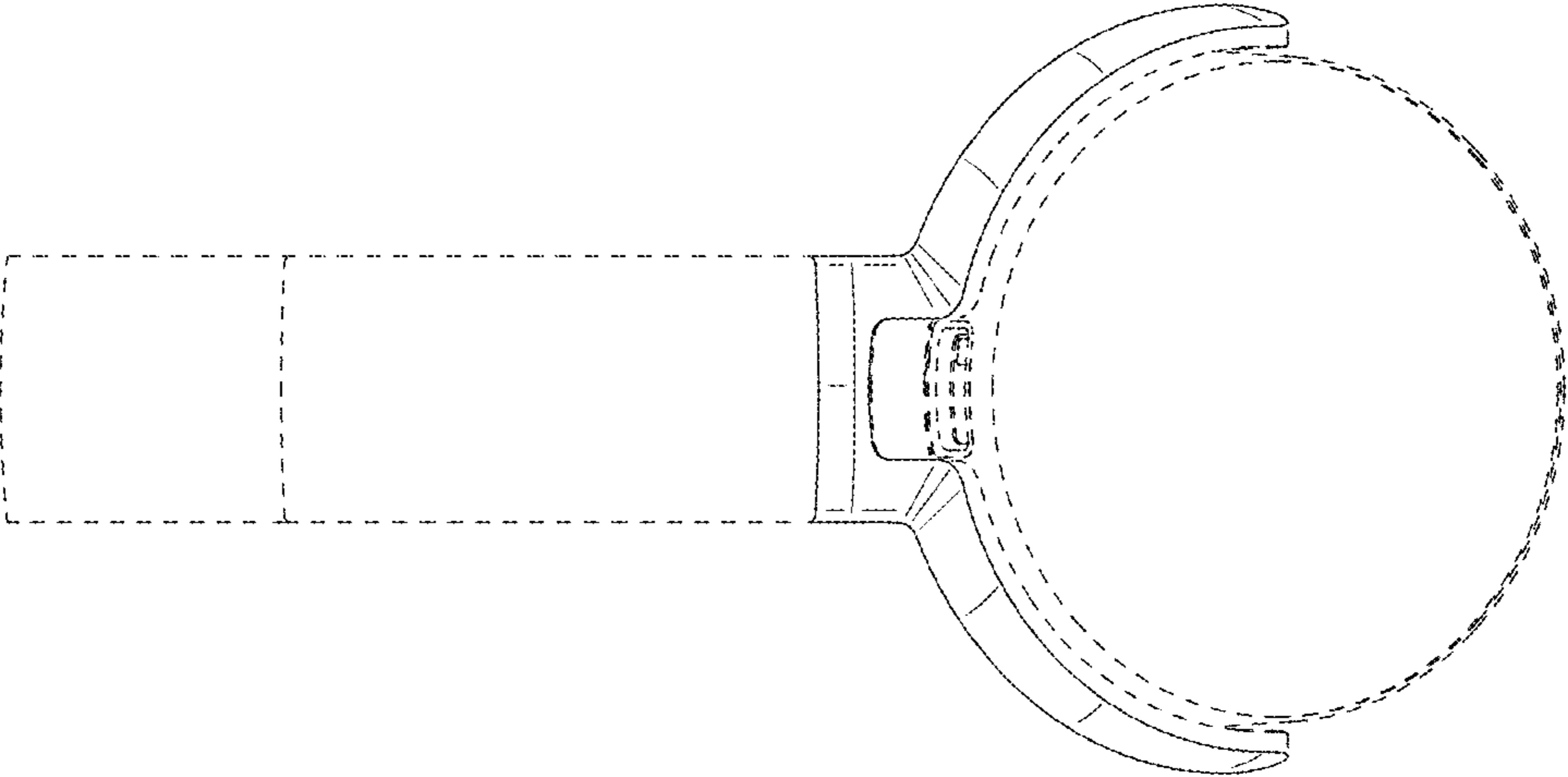


FIG.6

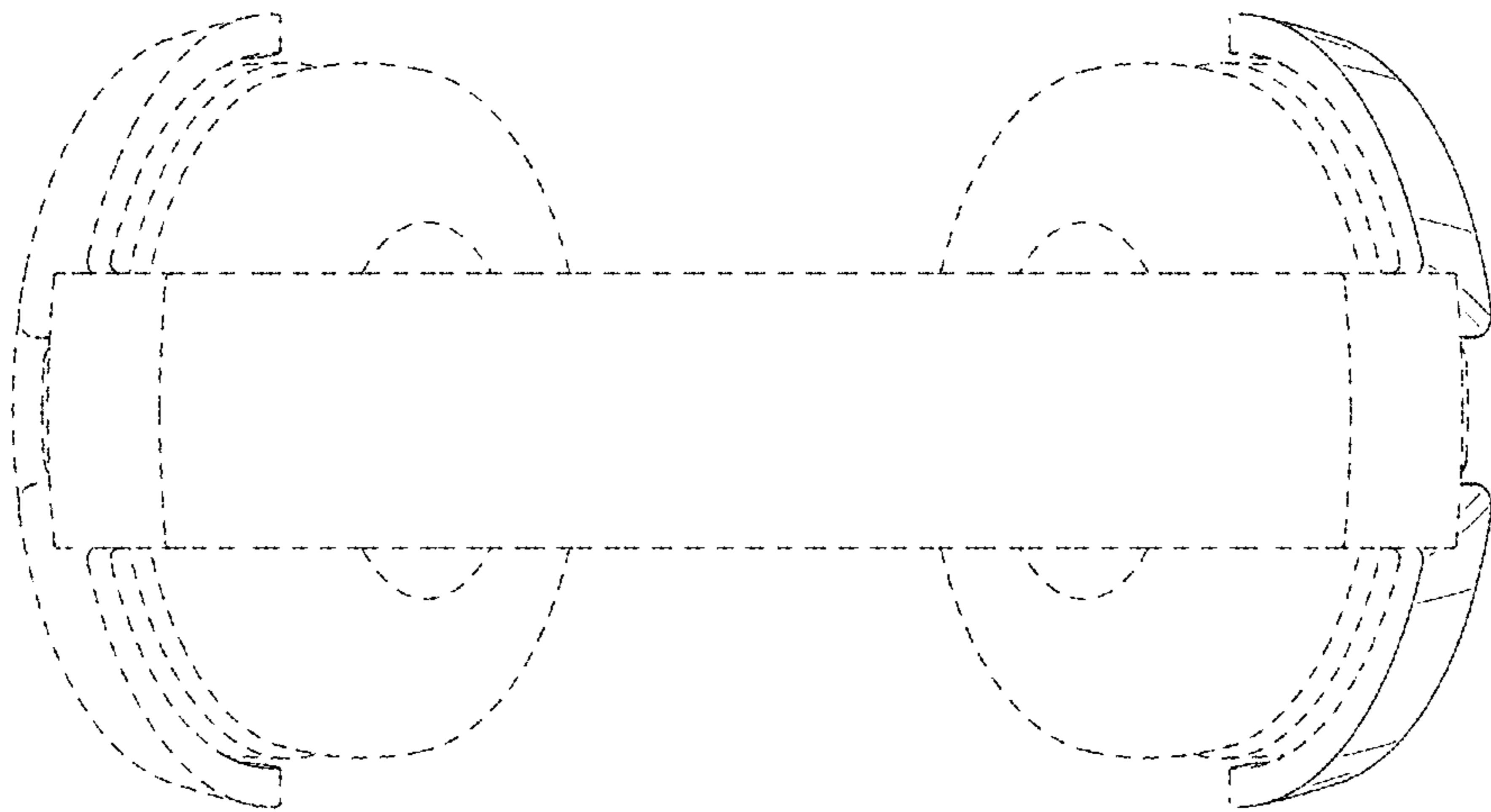




FIG.7

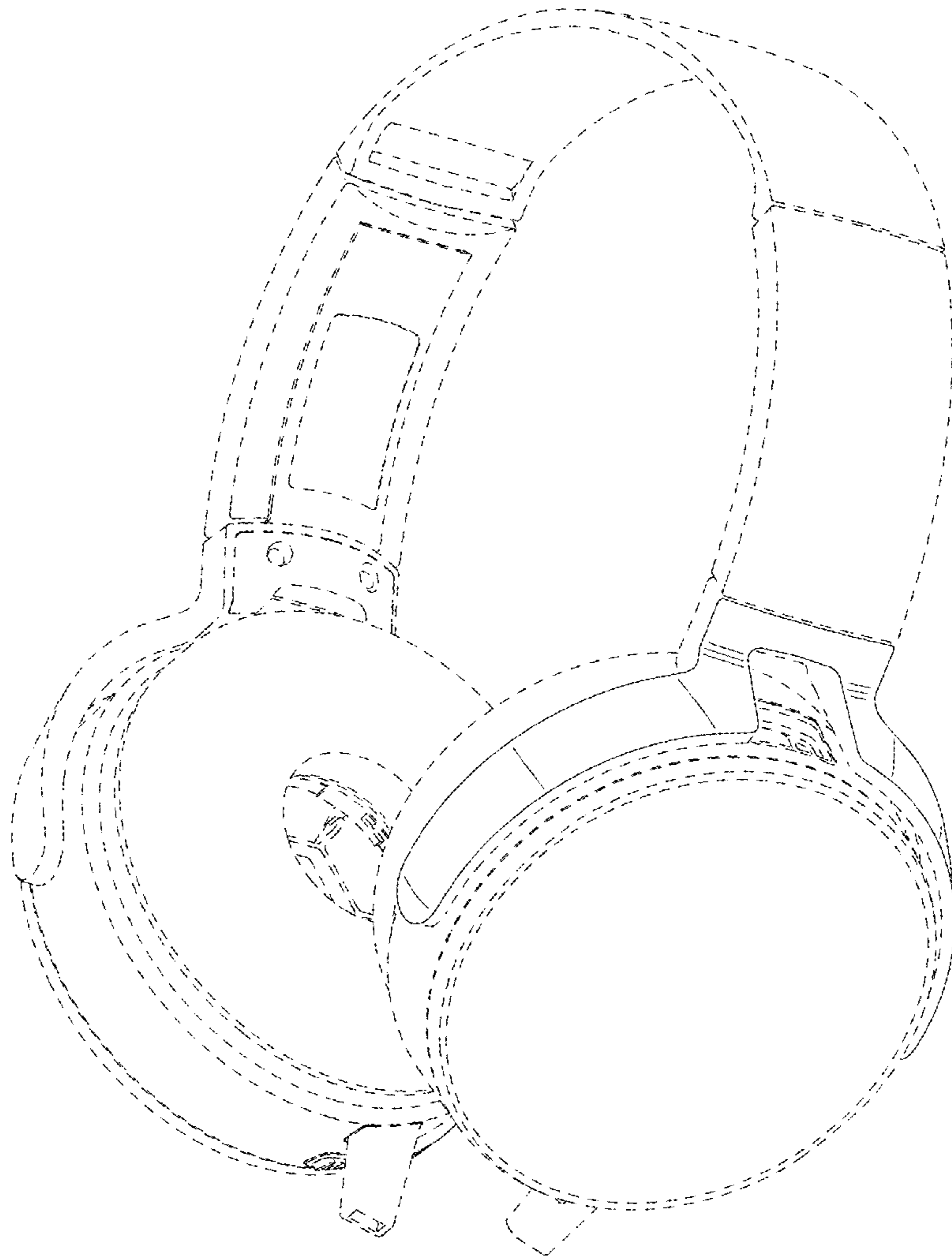


FIG.8

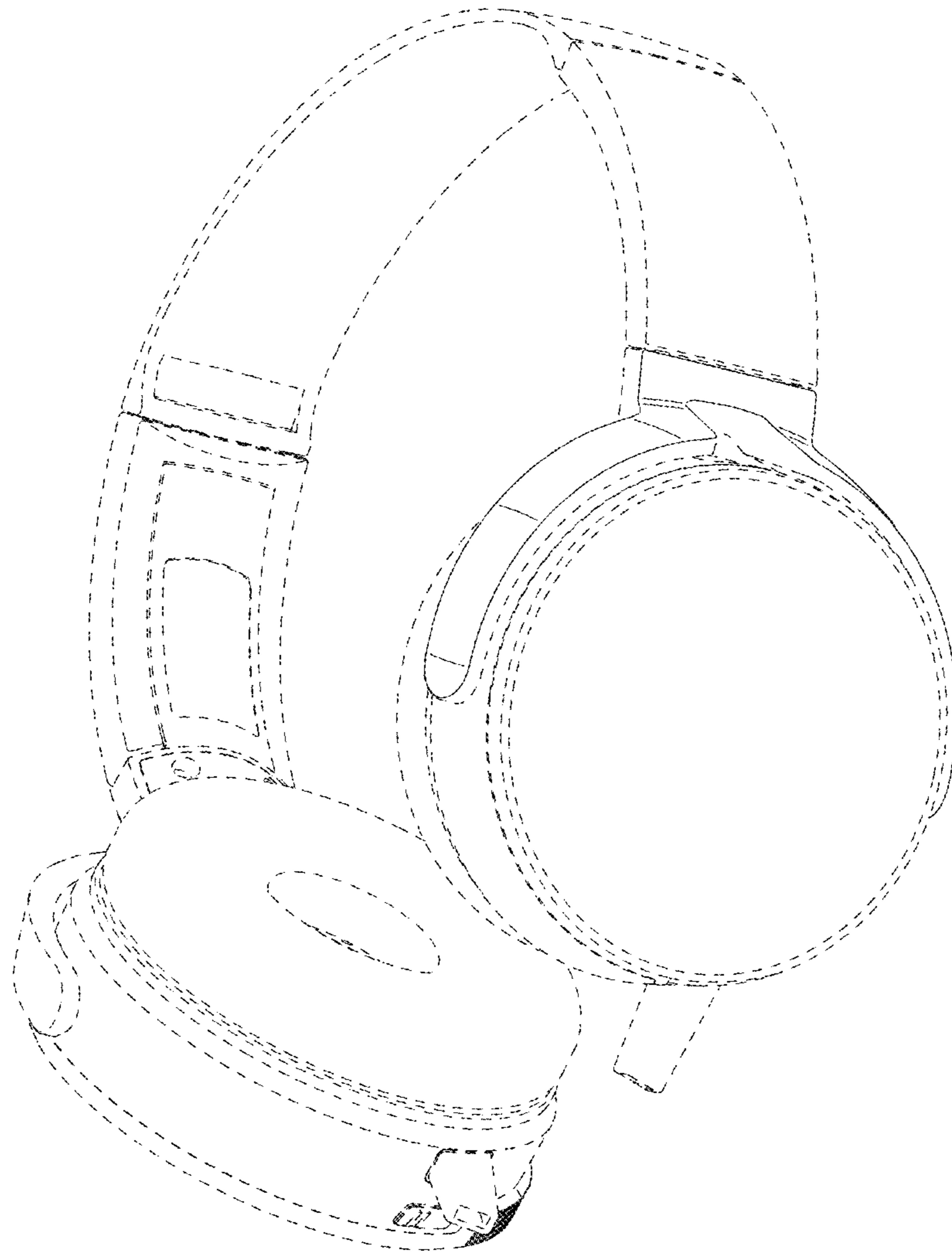


FIG.9



FIG.10

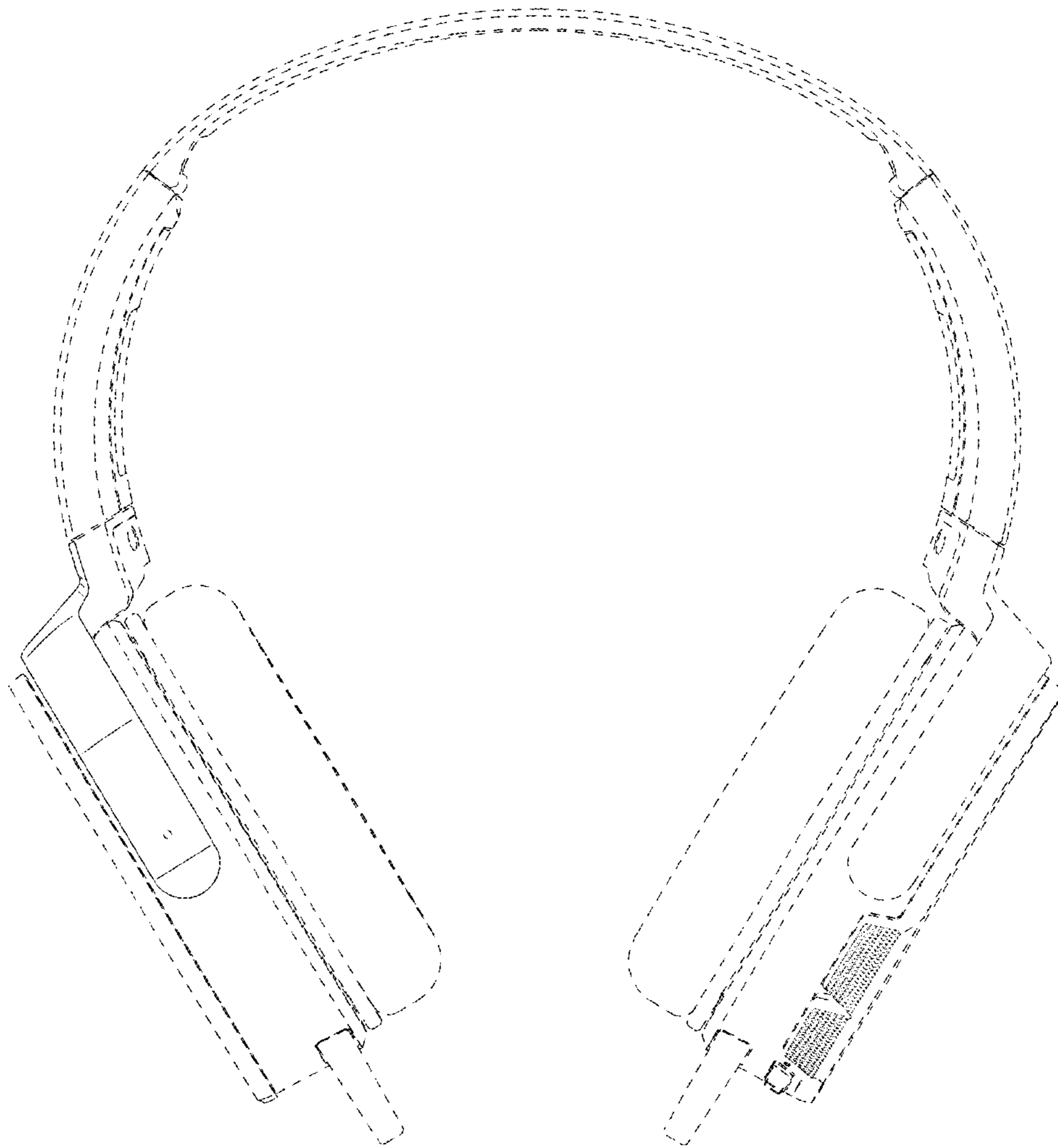


FIG.11

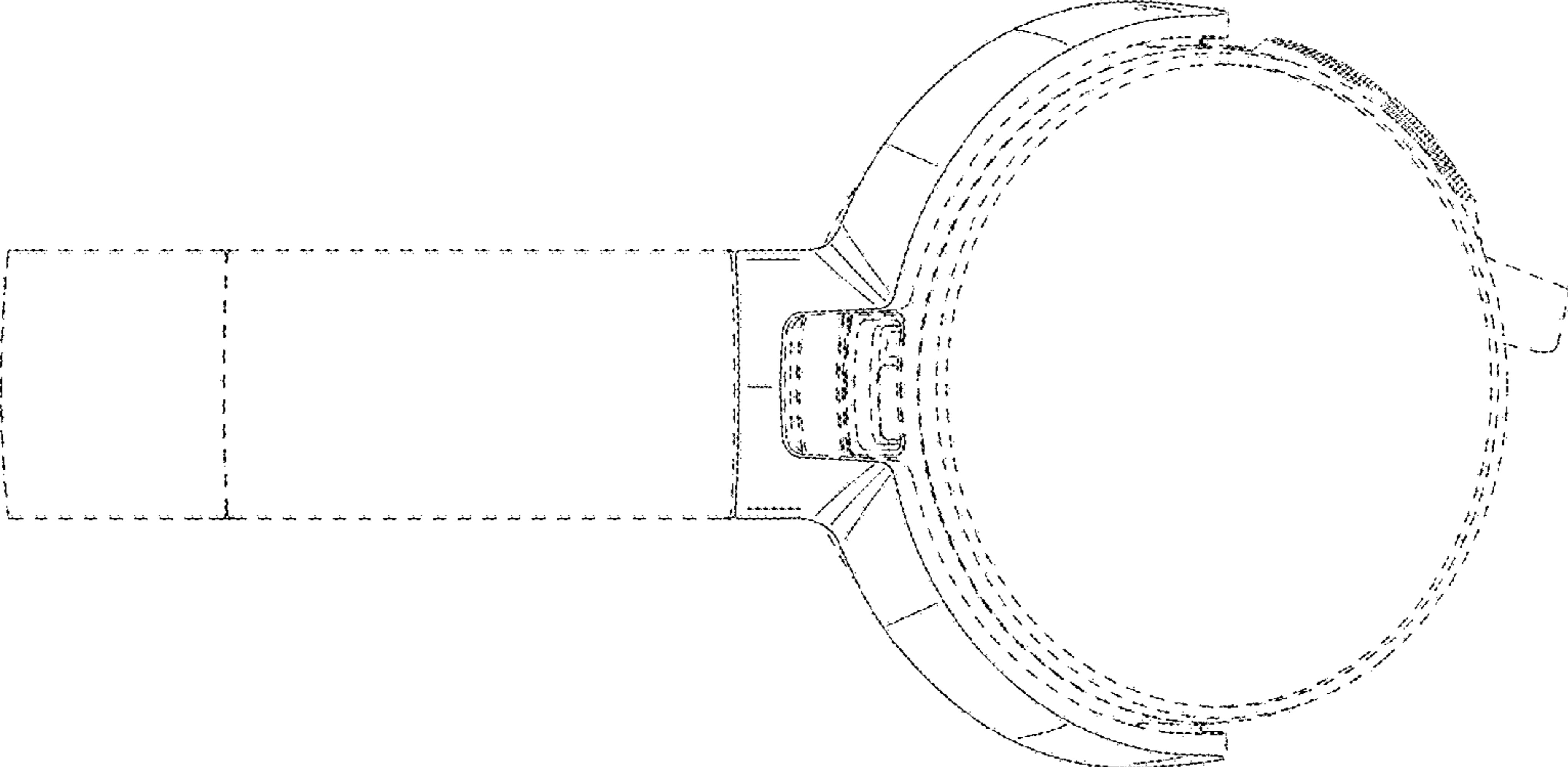


FIG.12

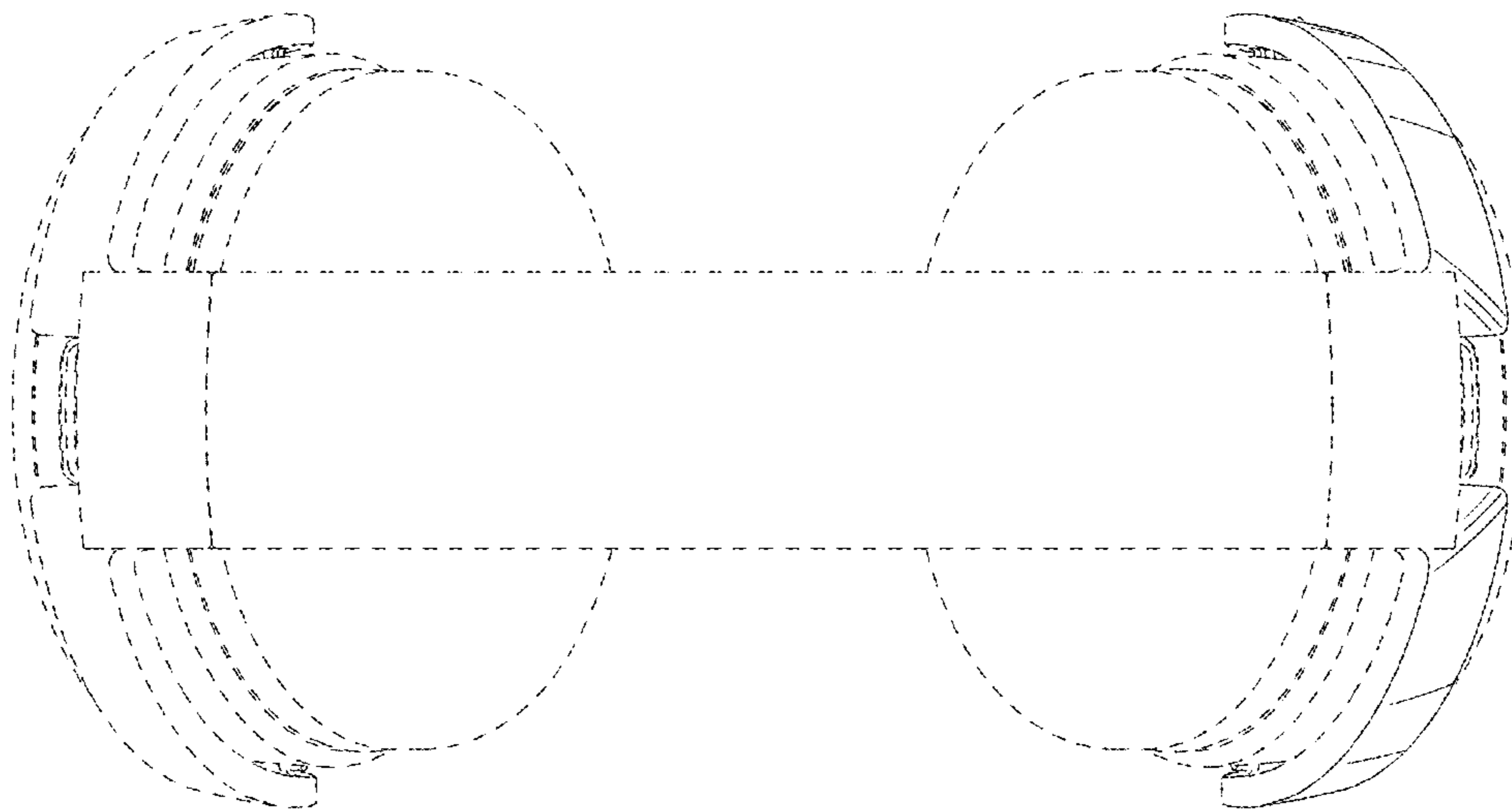


FIG.13

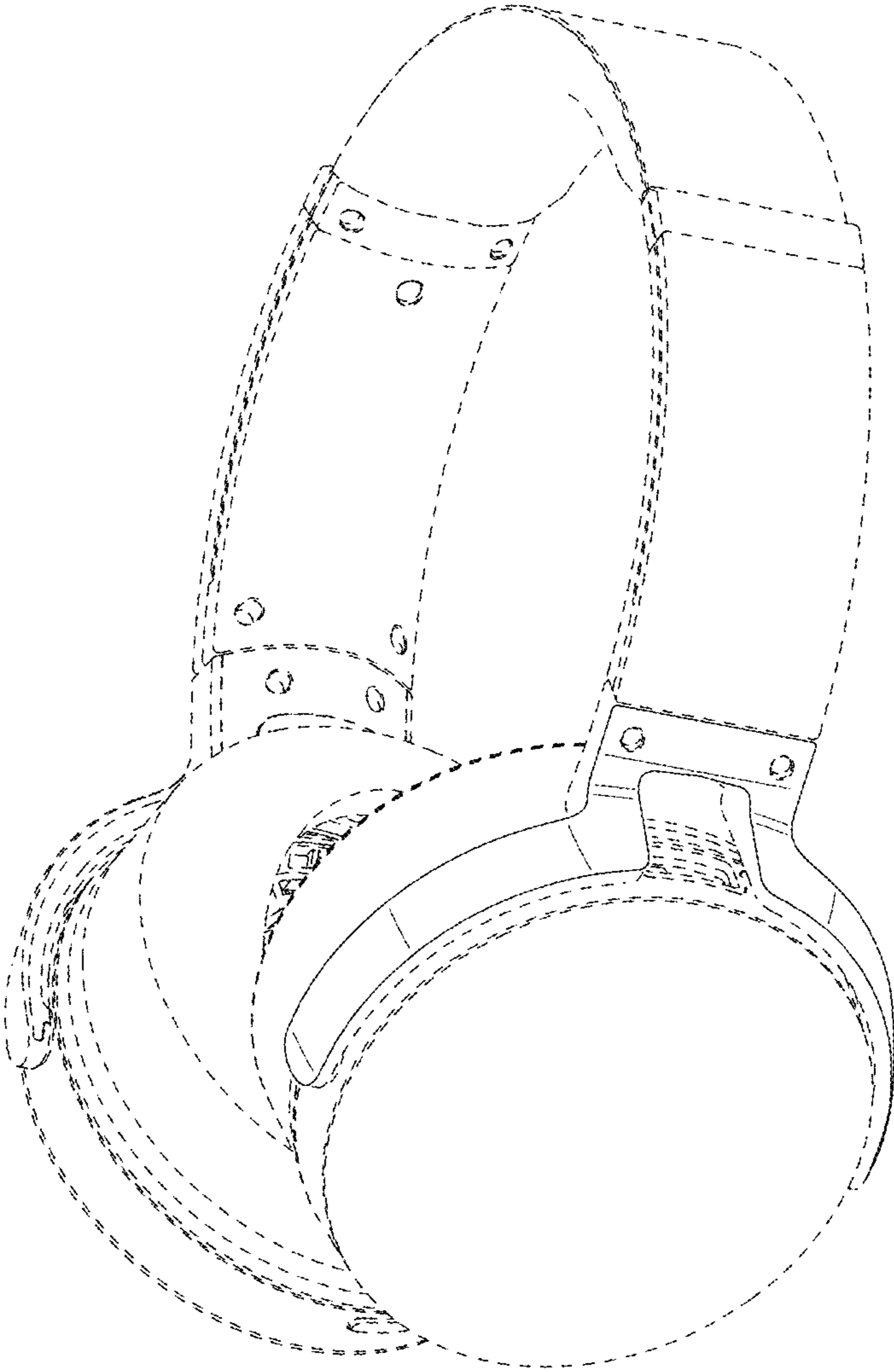


FIG.14

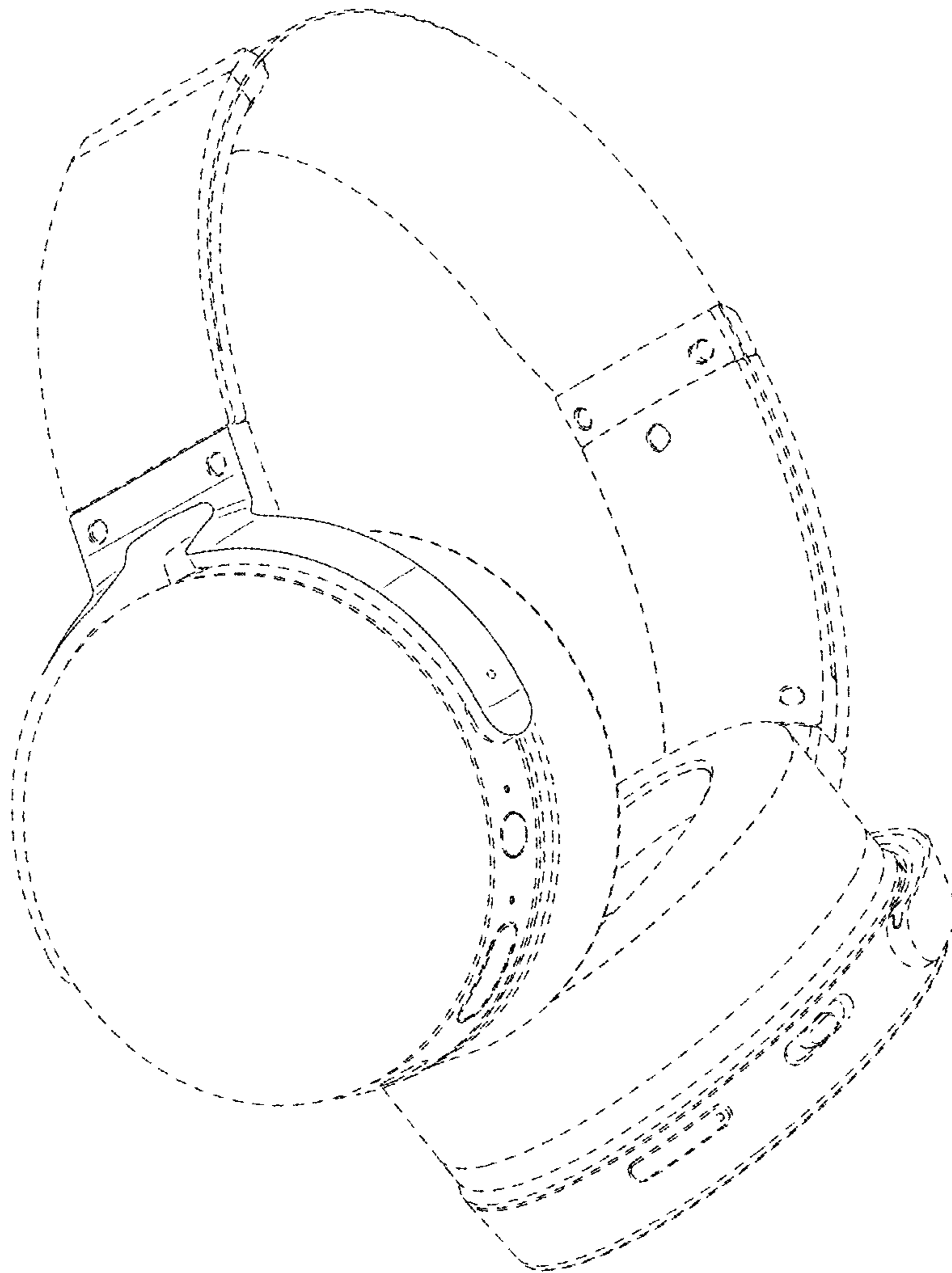




FIG.15

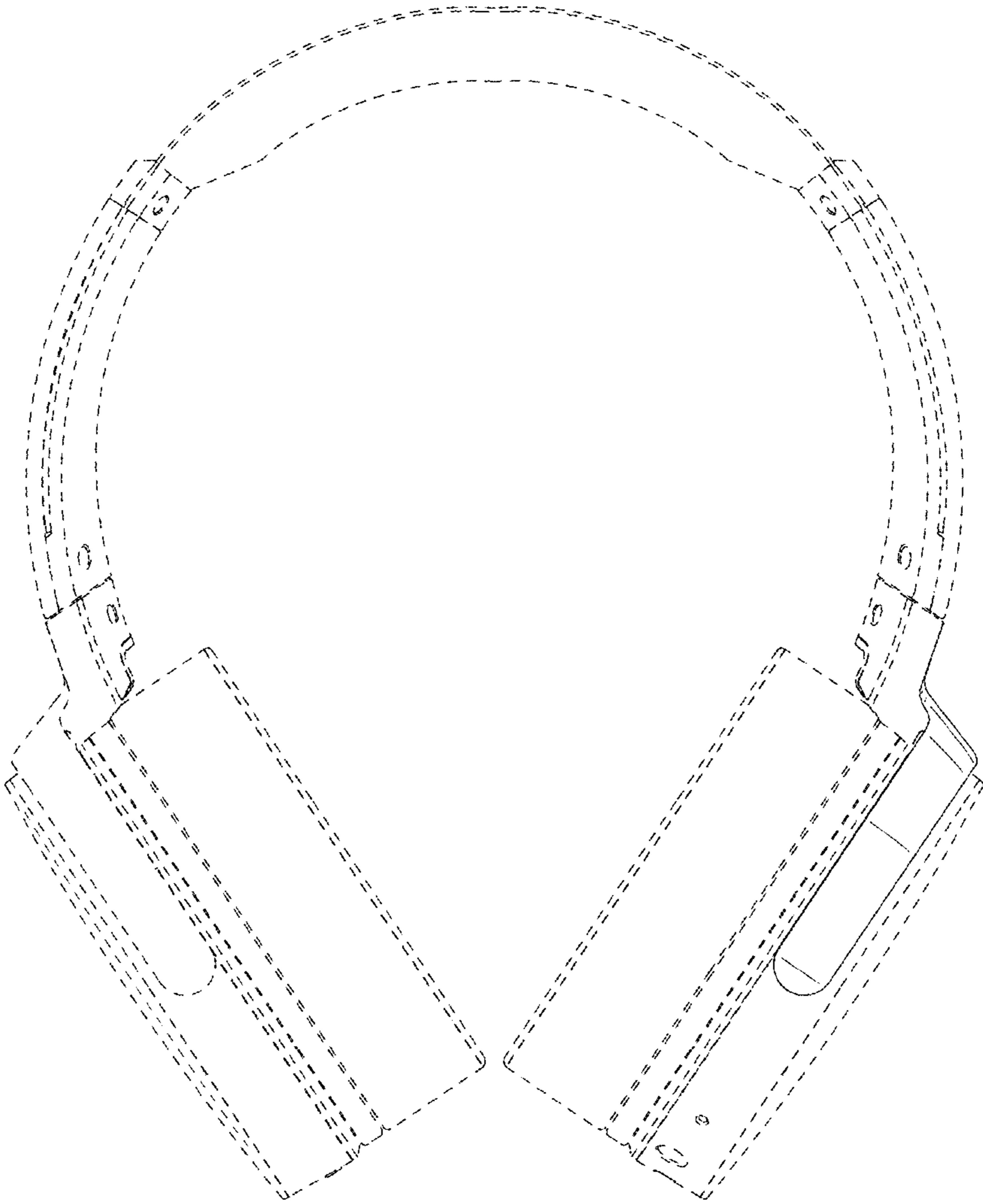


FIG.16

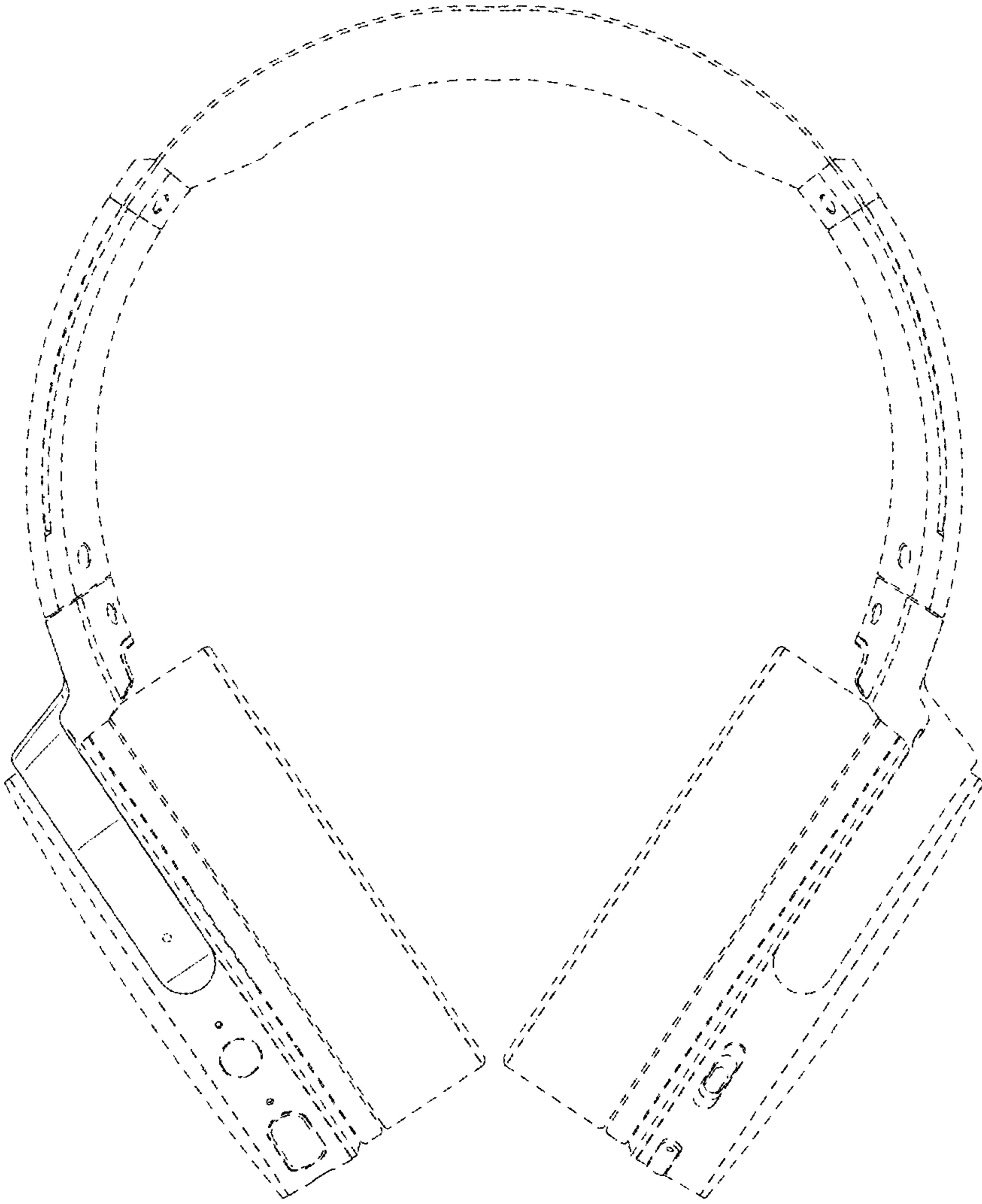


FIG.17

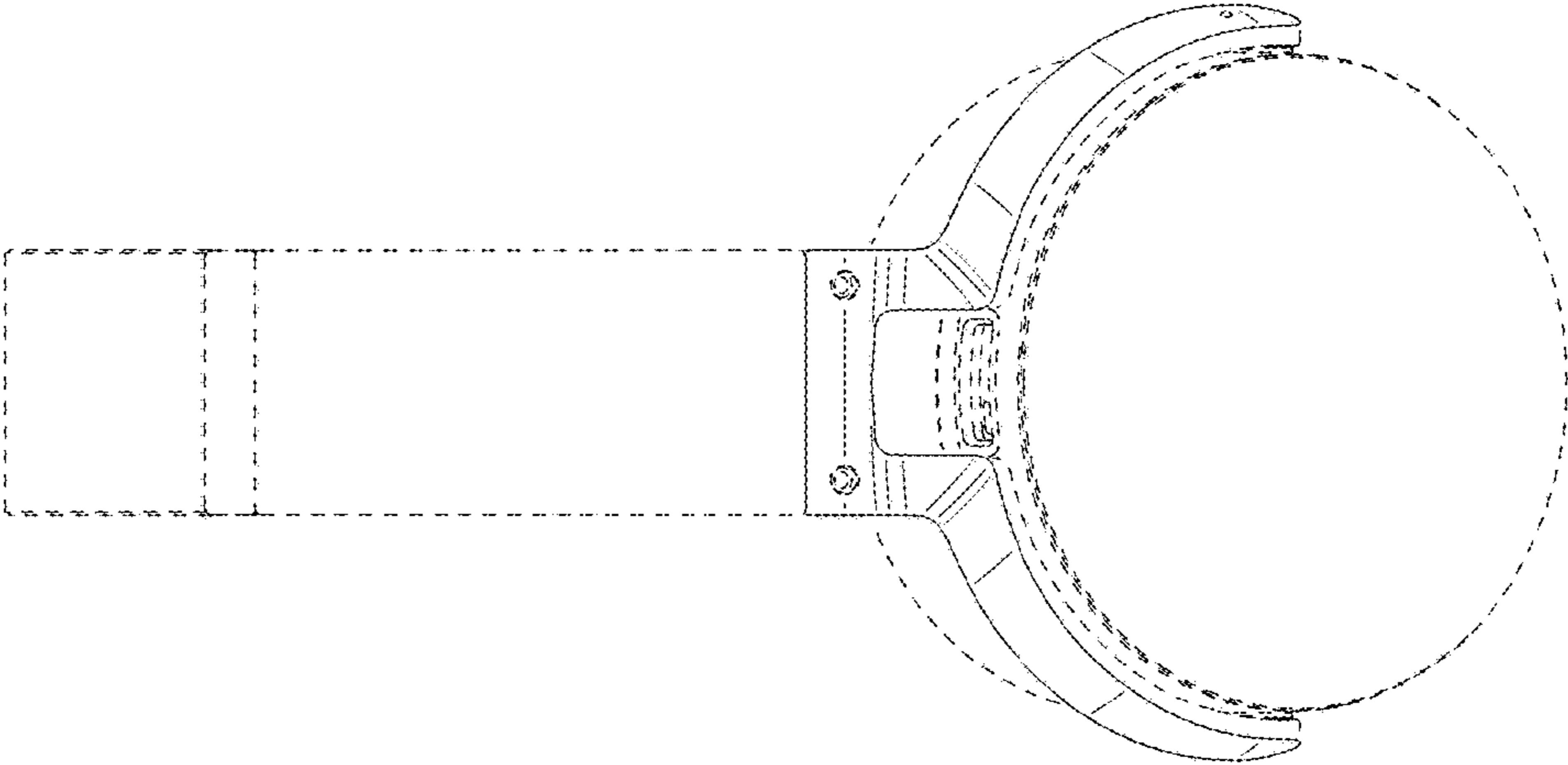


FIG.18

