



US00D789325S

(12) **United States Design Patent**
Huang et al.

(10) **Patent No.:** **US D789,325 S**
(45) **Date of Patent:** **** Jun. 13, 2017**

- (54) **MEDIA DISPLAY DEVICE**
- (71) Applicant: **JET OPTOELECTRONICS CO., LTD.**, Taipei (TW)
- (72) Inventors: **Terry Hsiao-Yang Huang**, Taipei (TW); **Michael Tai-Hao Wen**, Taipei (TW)
- (73) Assignee: **JET OPTOELECTRONICS CO., LTD.**, Taipei (TW)
- (**) Term: **15 Years**
- (21) Appl. No.: **29/562,490**
- (22) Filed: **Apr. 26, 2016**
- (51) **LOC (10) Cl.** **14-03**
- (52) **U.S. Cl.**
USPC **D14/203.4; D21/330; D21/333**
- (58) **Field of Classification Search**
USPC D21/324-333, 369, 385; 273/148 B, 273/148 R, 461; D14/495, 338, 339, 348, D14/356, 432, 433, 471, 474, 137, 160, D14/168, 188-181, 219, 265, 257, 509, D14/510, 183, 184; 345/156-161, 1.1; 455/344-351; 369/6-12; 463/1, 29-35, 463/46, 47; 16/321, 337; 248/176.1, 248/915, 921; 285/188, 231-234, 304, 285/330
CPC G06F 1/00; G06F 1/1633; G06F 1/1613; G05F 1/16; H05K 5/00; A63F 9/00
See application file for complete search history.

- 6,512,497 B1 * 1/2003 Kondo G06F 3/147 345/1.1
- D493,463 S * 7/2004 Takahashi D14/345
- 6,900,981 B2 * 5/2005 Kuivas E05D 3/122 248/920
- 7,151,911 B2 * 12/2006 Matsumoto H04M 1/0212 348/135
- 7,233,319 B2 * 6/2007 Johnson G06F 1/1616 345/166
- D577,018 S * 9/2008 Lin D14/345
- D588,126 S * 3/2009 Chiang D14/345
- D614,183 S * 4/2010 Mason D14/345
- D716,800 S * 11/2014 Lee D14/345
- 9,078,338 B2 * 7/2015 Ohtaka H05K 7/00
- D749,571 S * 2/2016 Park D14/203.4

* cited by examiner

Primary Examiner — Prabhakar Deshmukh
(74) *Attorney, Agent, or Firm* — Li & Cai Intellectual Property (USA) Office

(57) **CLAIM**

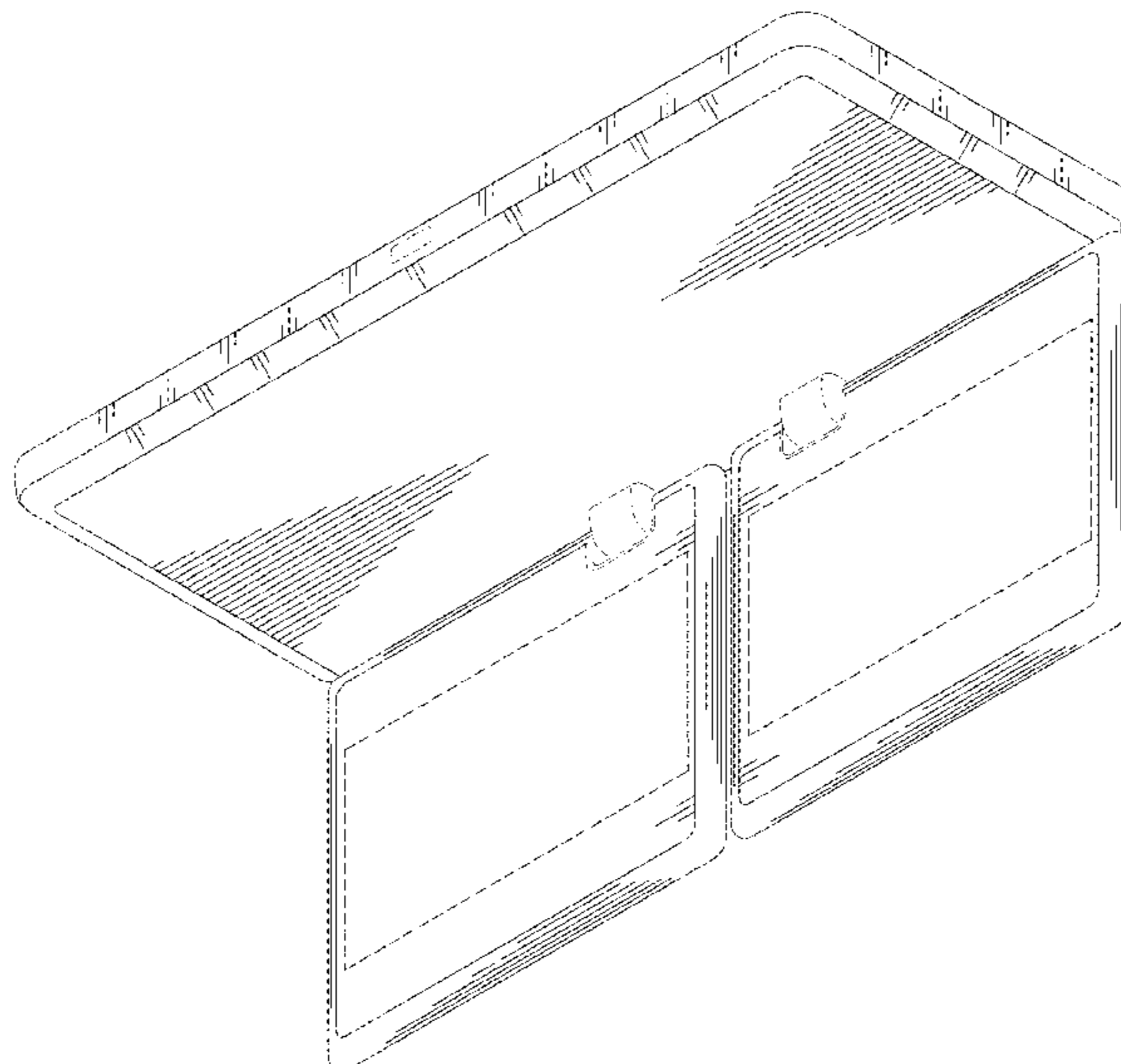
The ornamental design for a “media display device,” as shown and described.

DESCRIPTION

FIG. 1 is a perspective view of a media display device showing our new design;
FIG. 2 is a front view thereof;
FIG. 3 is a rear view thereof;
FIG. 4 is a left side view thereof;
FIG. 5 is a right side view thereof;
FIG. 6 is a top view thereof;
FIG. 7 is a bottom view thereof; and,
FIG. 8 is a perspective view viewed showing a usage status of the media display device.
The broken line showing of the environment is for illustrative purposes only and forms no part of the claimed design.

1 Claim, 8 Drawing Sheets

- (56) **References Cited**
U.S. PATENT DOCUMENTS
5,898,600 A * 4/1999 Isashi G06F 1/1618 345/169
D412,900 S * 8/1999 Utsugi D14/132



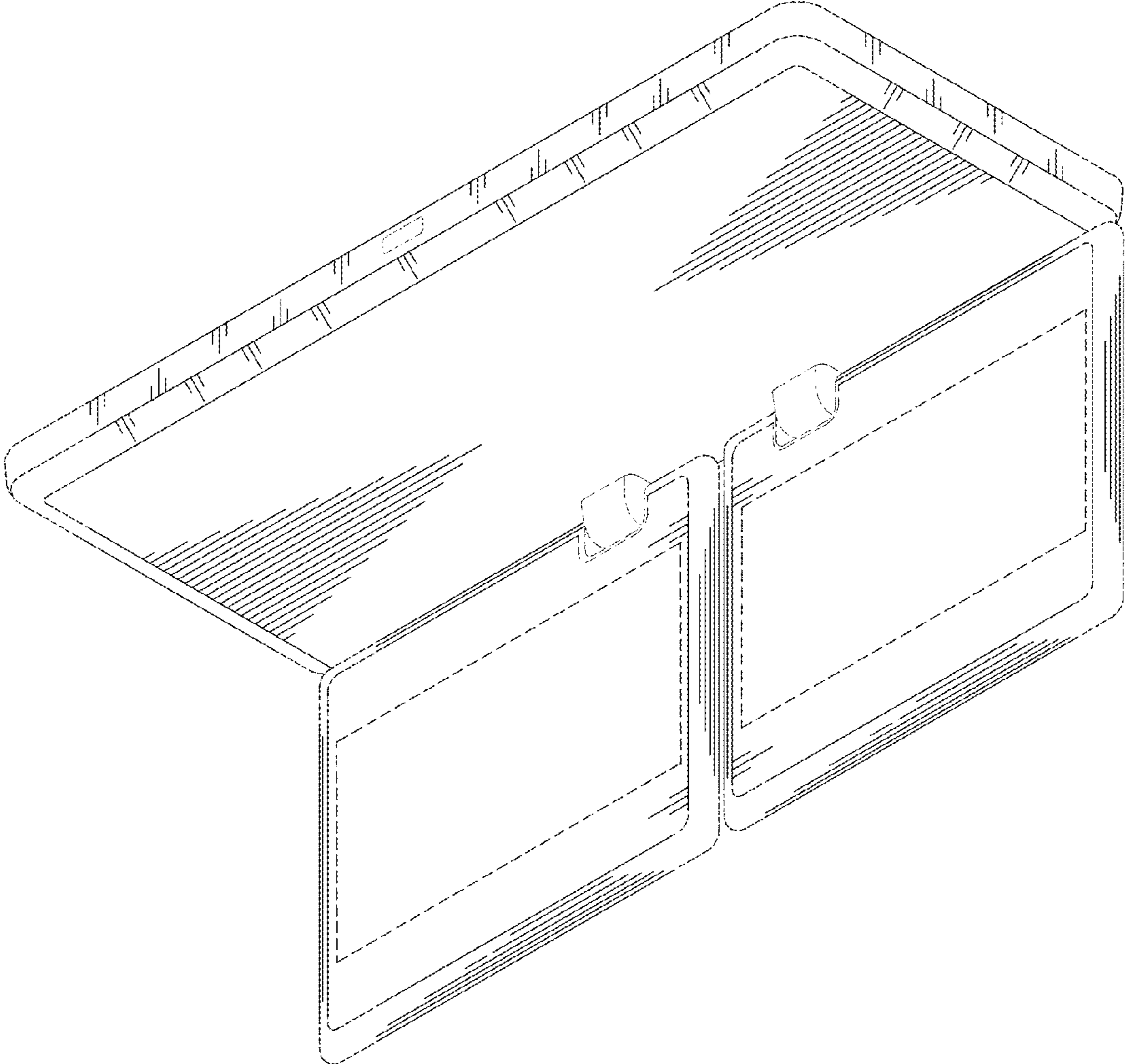


FIG.1

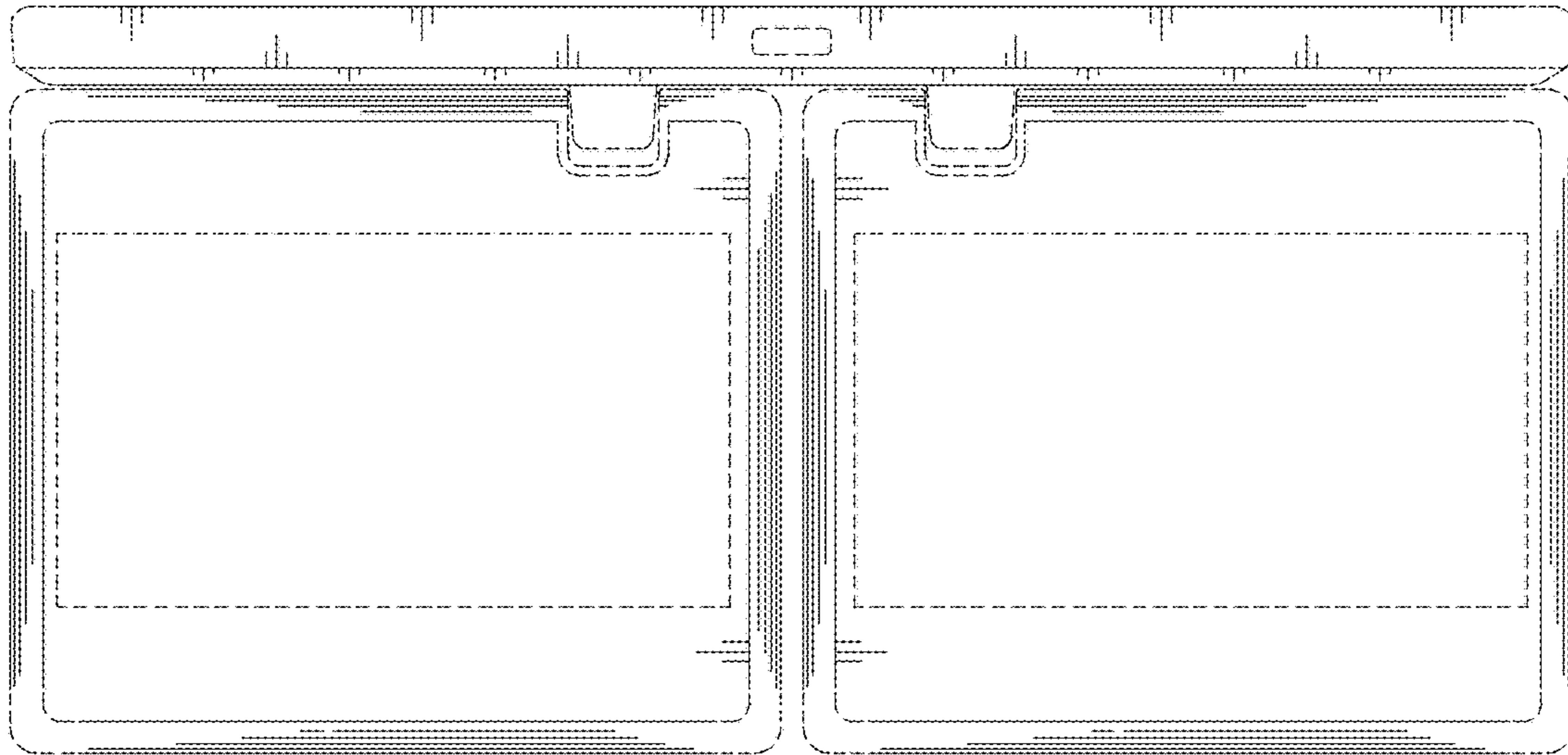


FIG.2

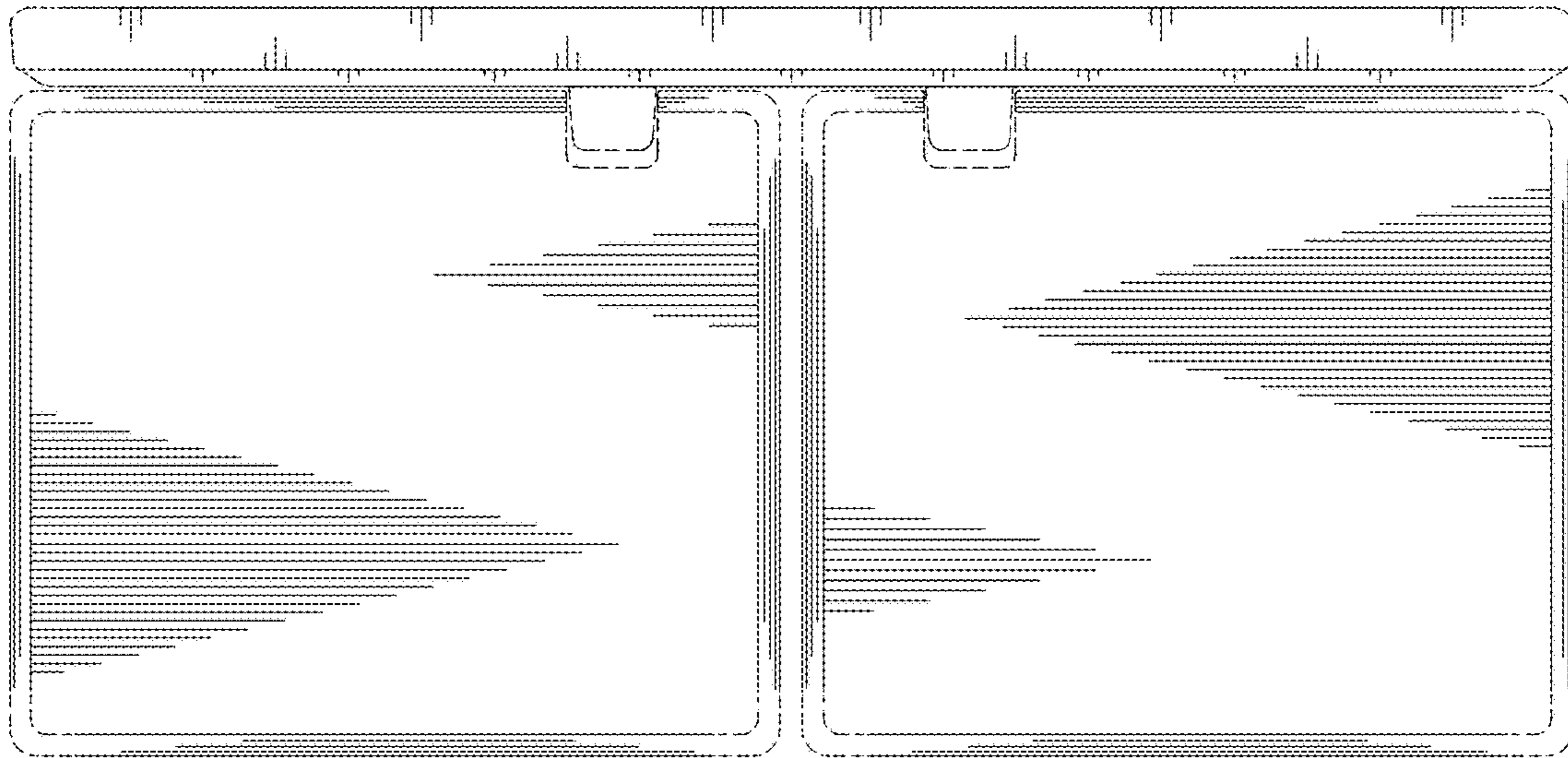


FIG.3

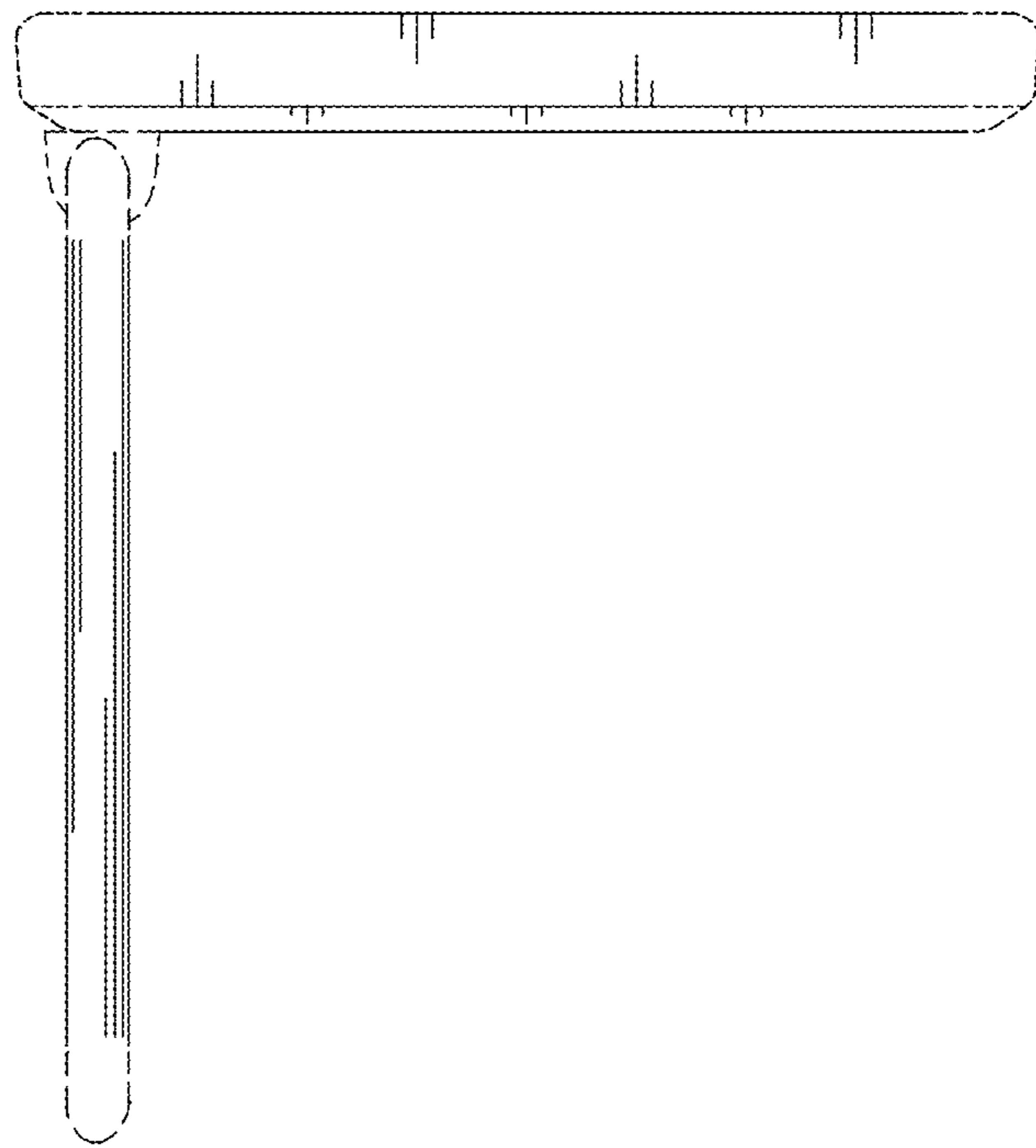


FIG.4

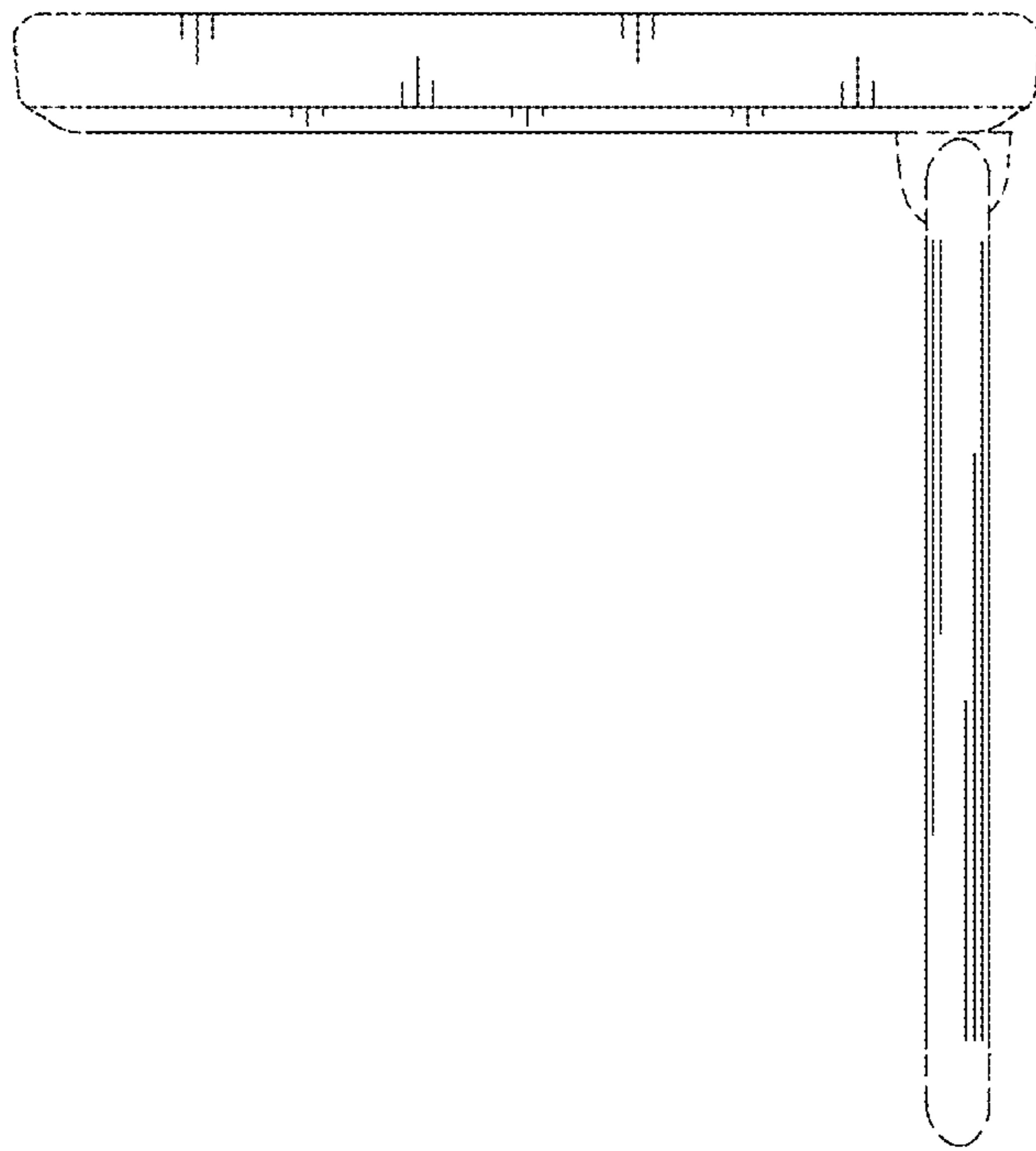


FIG.5

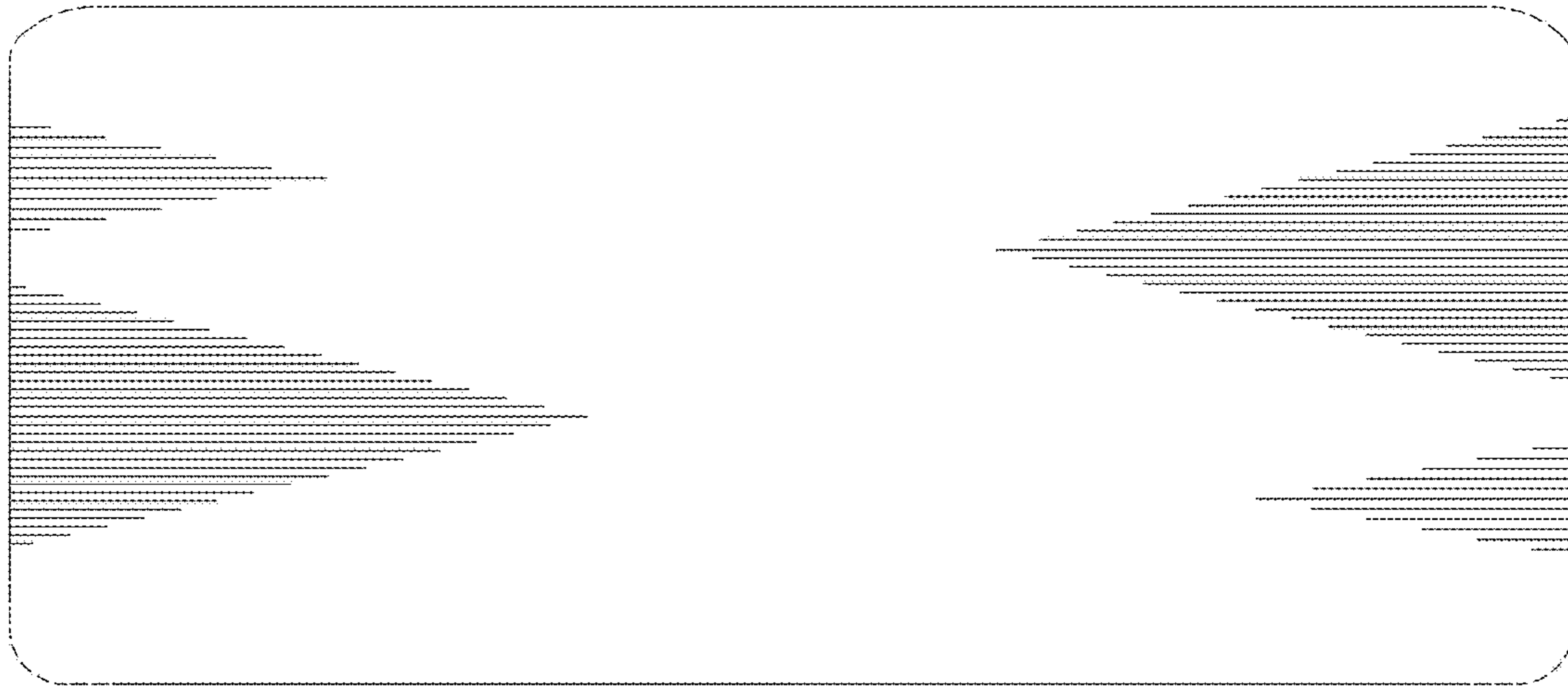


FIG.6

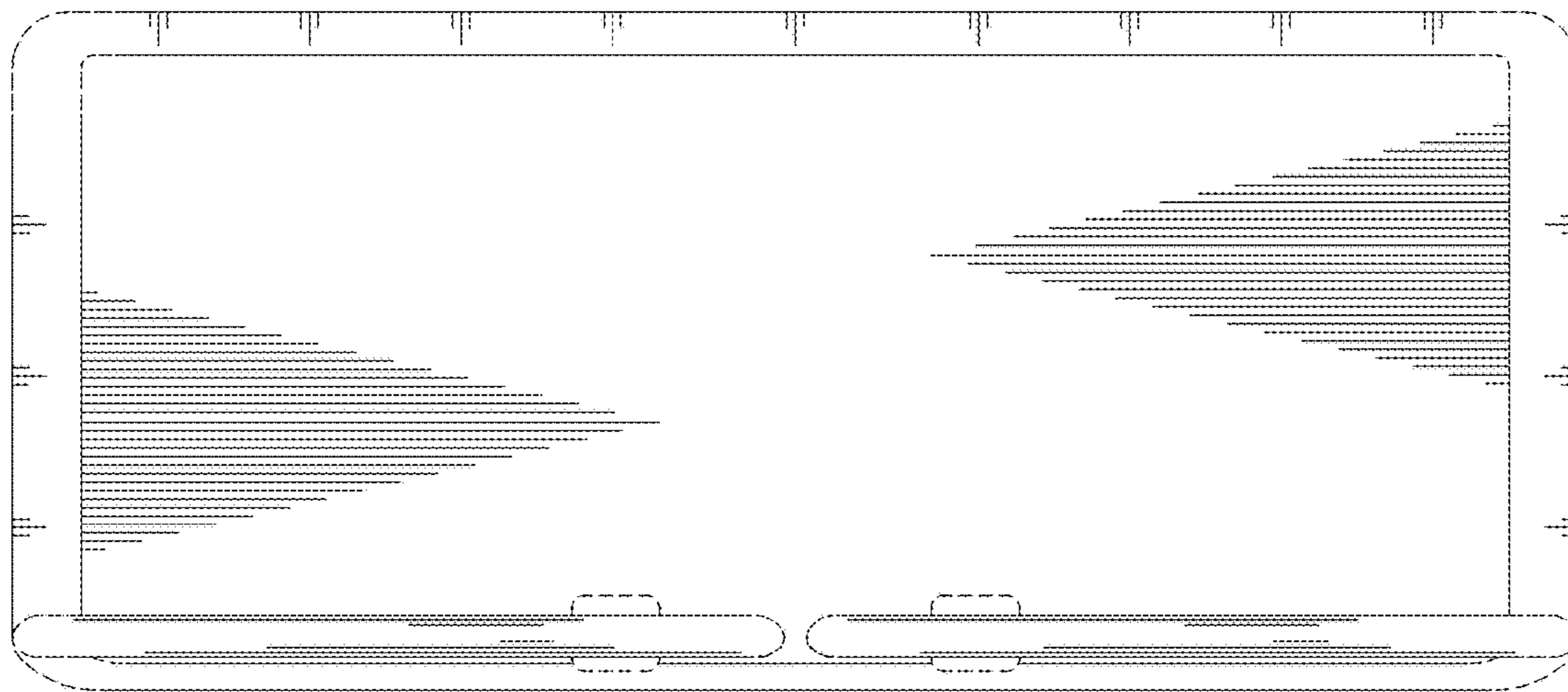


FIG. 7

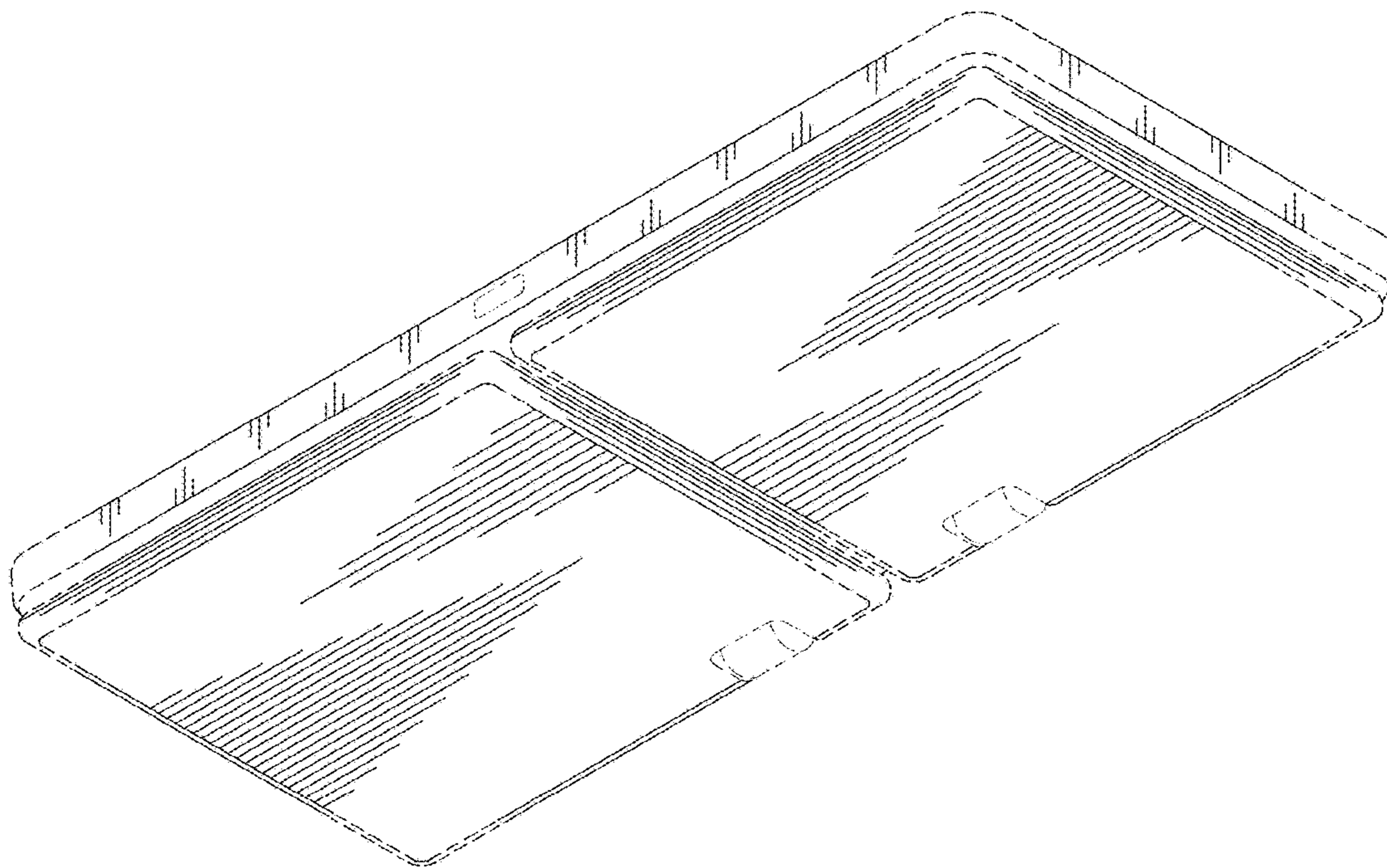


FIG.8