



US00D789324S

(12) **United States Design Patent**  
**Kwon et al.**

(10) **Patent No.:** **US D789,324 S**

(45) **Date of Patent:** **\*\* Jun. 13, 2017**

(54) **AUDIO**

(71) Applicant: **LG ELECTRONICS INC.**, Seoul (KR)

(72) Inventors: **A Reum Kwon**, Seoul (KR); **Woosuk Park**, Seoul (KR); **Yunhwan Sung**, Seoul (KR); **Gangho Woo**, Seoul (KR)

(73) Assignee: **LG Electronics Inc.**, Seoul (KR)

(\*\*) Term: **15 Years**

(21) Appl. No.: **29/561,994**

(22) Filed: **Apr. 21, 2016**

(30) **Foreign Application Priority Data**

Oct. 21, 2015 (KR) ..... 30-2015-0053104

(51) **LOC (10) Cl.** ..... **14-03**

(52) **U.S. Cl.**  
USPC ..... **D14/188**

(58) **Field of Classification Search**

USPC ..... D14/162, 167-169, 175, 179, 188,  
D14/194-198, 217, 257, 265, 299, 496

CPC ..... H04M 1/67; H04M 2250/12; H04N 7/15;  
G06K 9/00013; G06K 9/00026; G06K  
9/00919; G08B 13/1427; G08B 21/023

See application file for complete search history.

(56) **References Cited**

**U.S. PATENT DOCUMENTS**

D435,833 S \* 1/2001 Ito ..... D13/164  
D488,078 S \* 4/2004 Nakajima ..... D10/43

D553,608 S \* 10/2007 Williamson ..... D14/127  
D665,778 S \* 8/2012 Langlois ..... D14/217  
D678,249 S \* 3/2013 Kuramoto ..... D14/217  
D689,486 S \* 9/2013 O'Donnell ..... D14/217  
D715,265 S \* 10/2014 Kuramoto ..... D14/217  
D715,771 S \* 10/2014 Funayama ..... D14/217  
D765,619 S \* 9/2016 Kuramoto ..... D14/217  
D771,594 S \* 11/2016 Hong ..... D14/217

\* cited by examiner

*Primary Examiner* — Keli L Hill

(74) *Attorney, Agent, or Firm* — Birch, Stewart, Kolasch & Birch, LLP

(57) **CLAIM**

The ornamental design for an audio, as shown and described.

**DESCRIPTION**

FIG. 1 is a front, right side, perspective view of an audio showing our new design;

FIG. 2 is a front view thereof;

FIG. 3 is a rear view thereof;

FIG. 4 is a left side view thereof;

FIG. 5 is a right side view thereof;

FIG. 6 is a top view thereof; and,

FIG. 7 is a bottom view.

The broken lines shown are included for the purpose of illustrating portions of the audio that form no part of the claim.

**1 Claim, 5 Drawing Sheets**

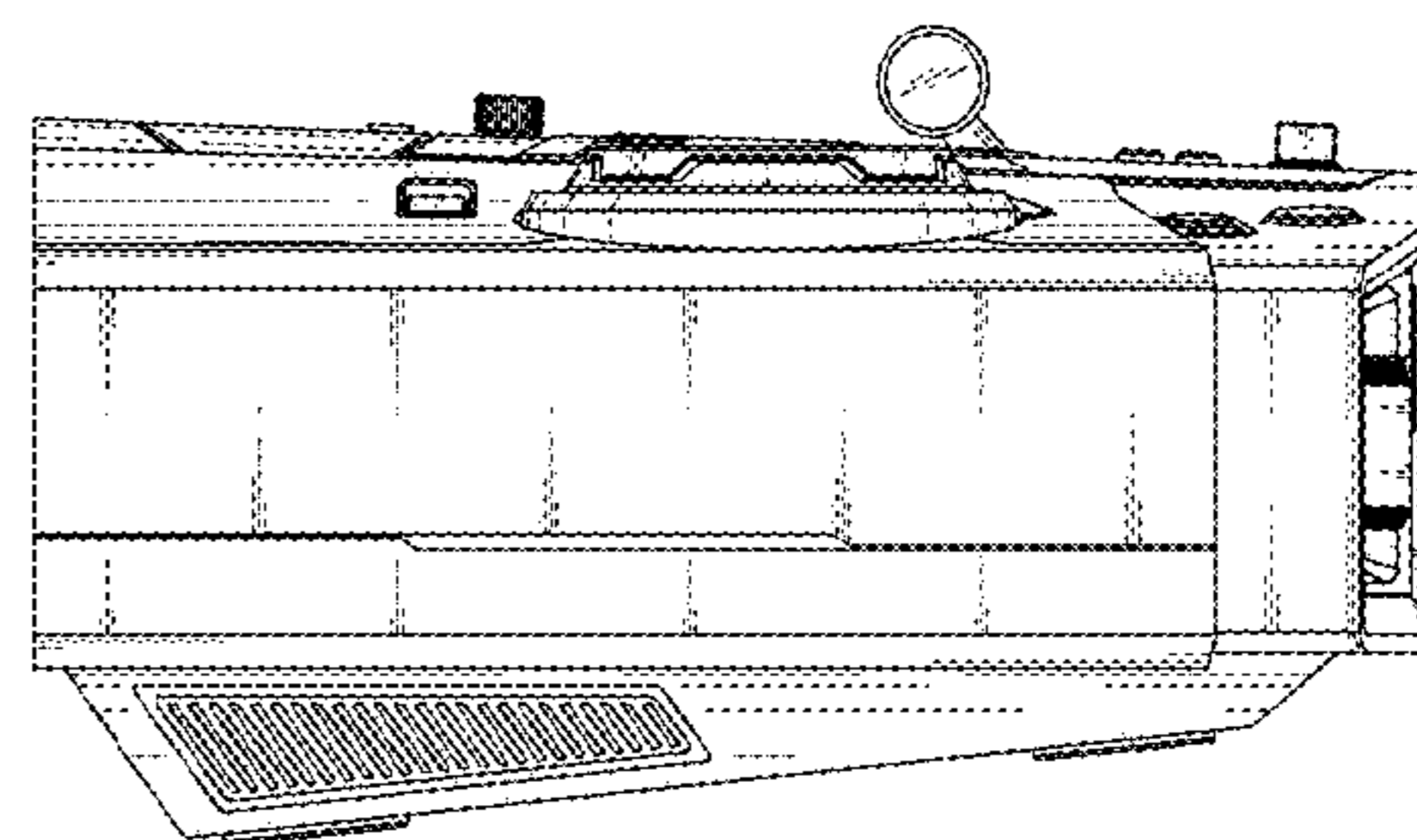
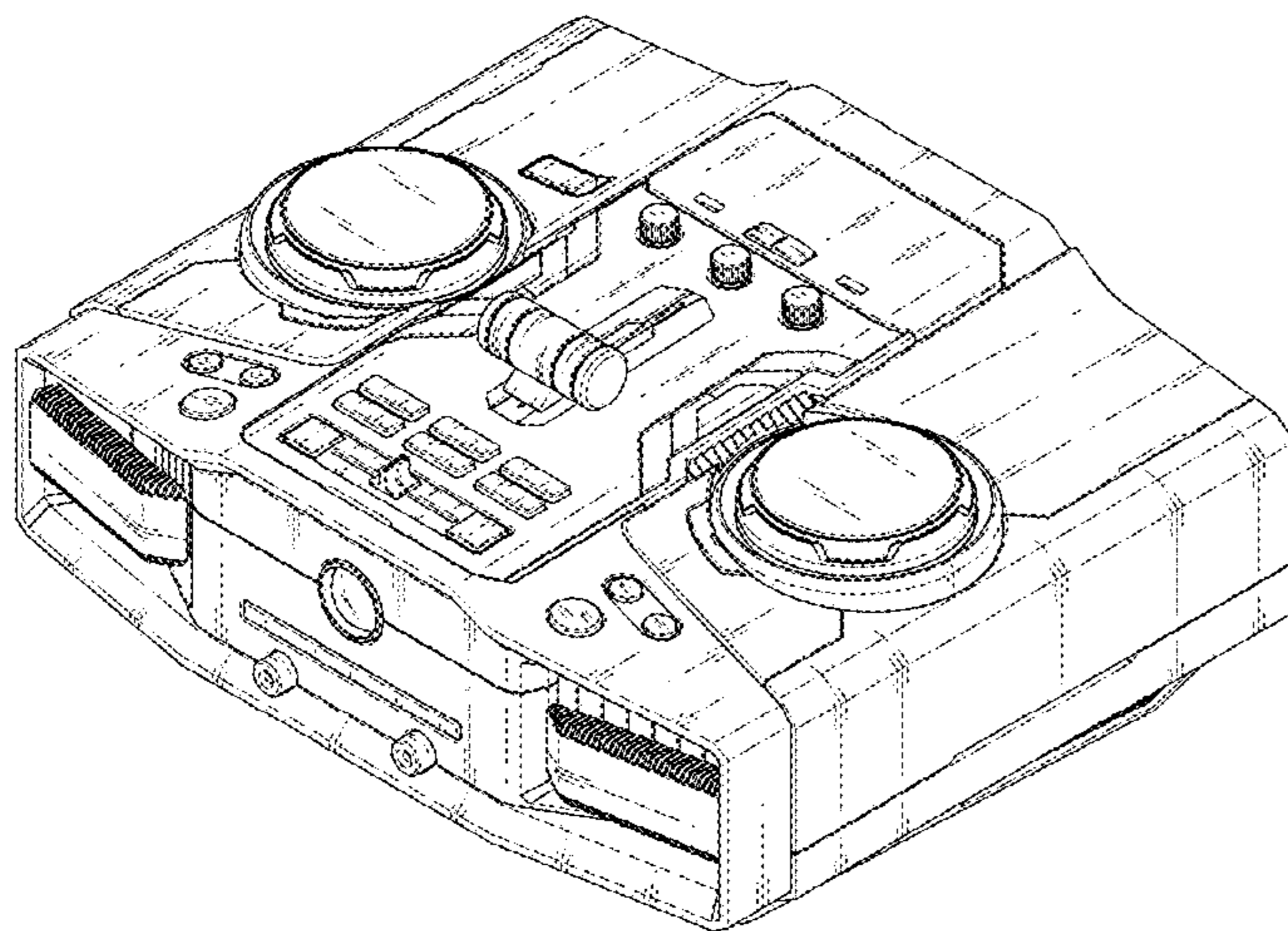


FIG. 1

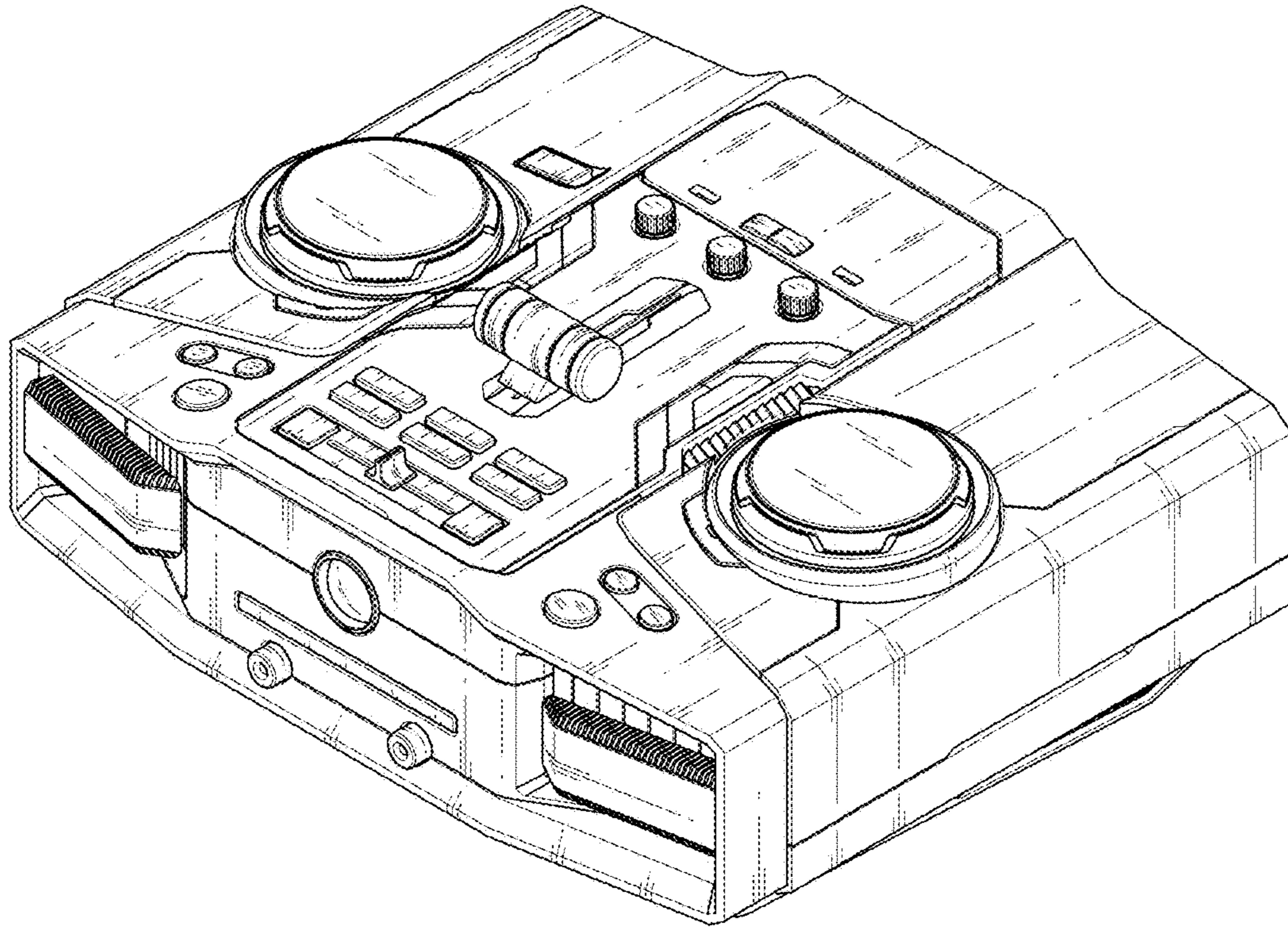


FIG. 2

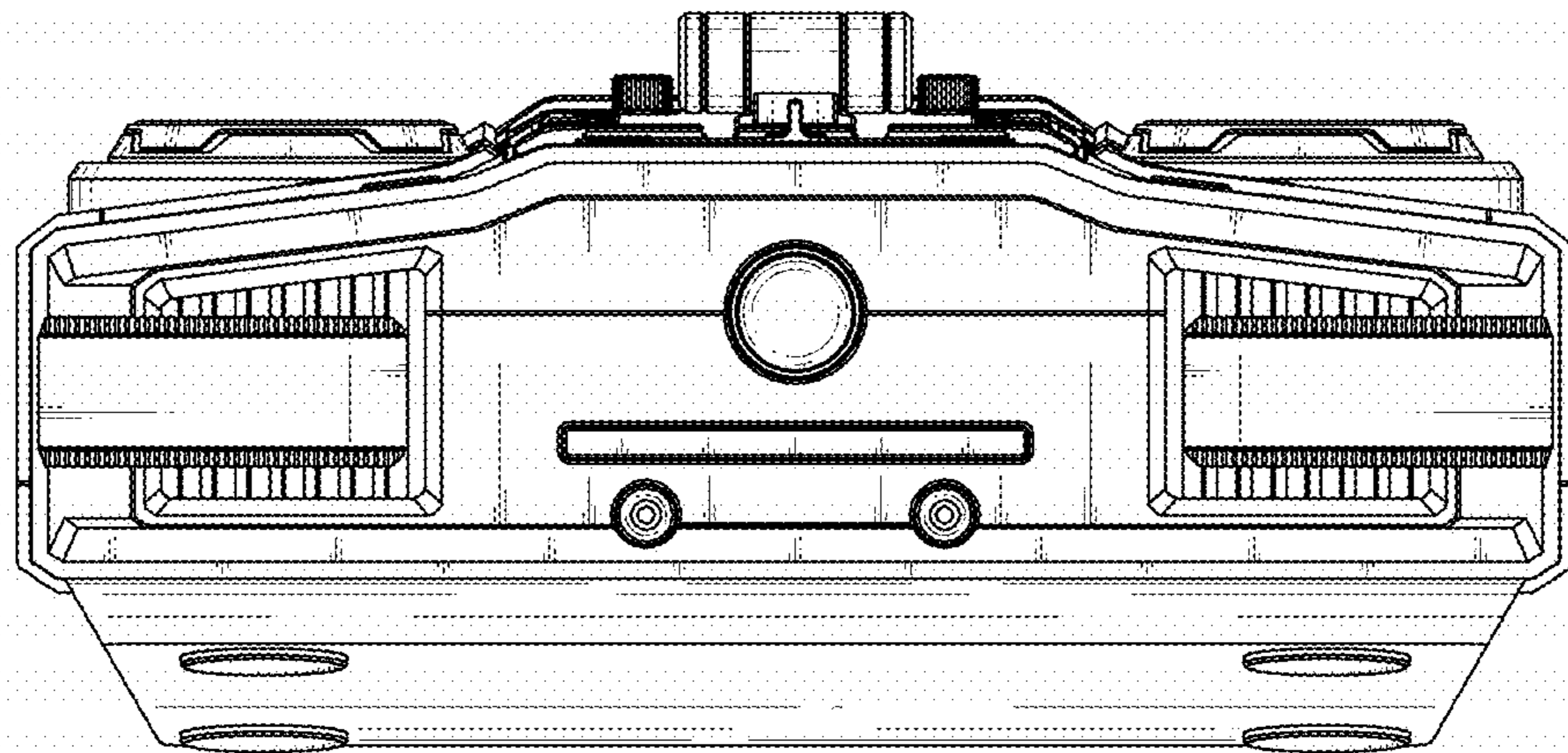


FIG. 3

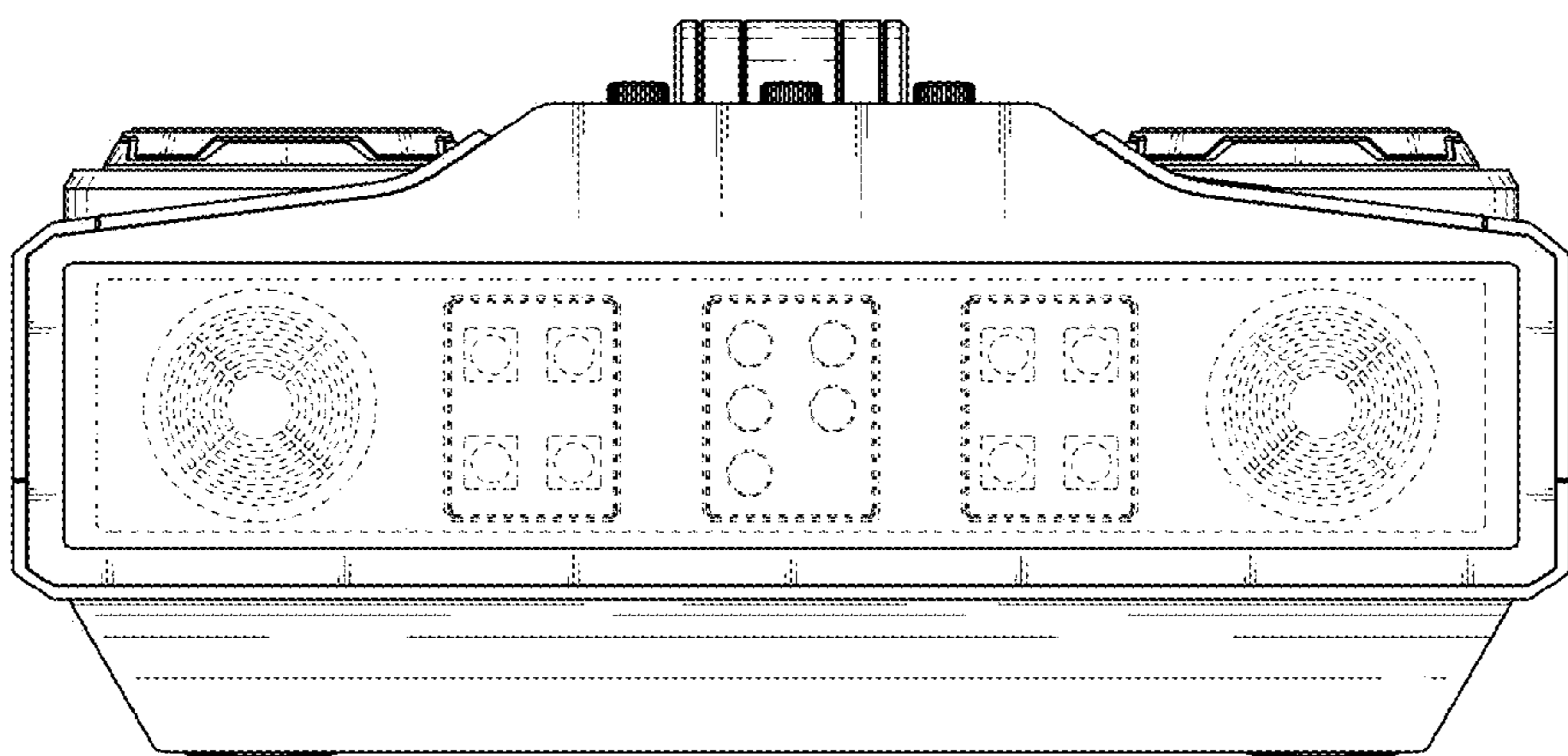


FIG. 4

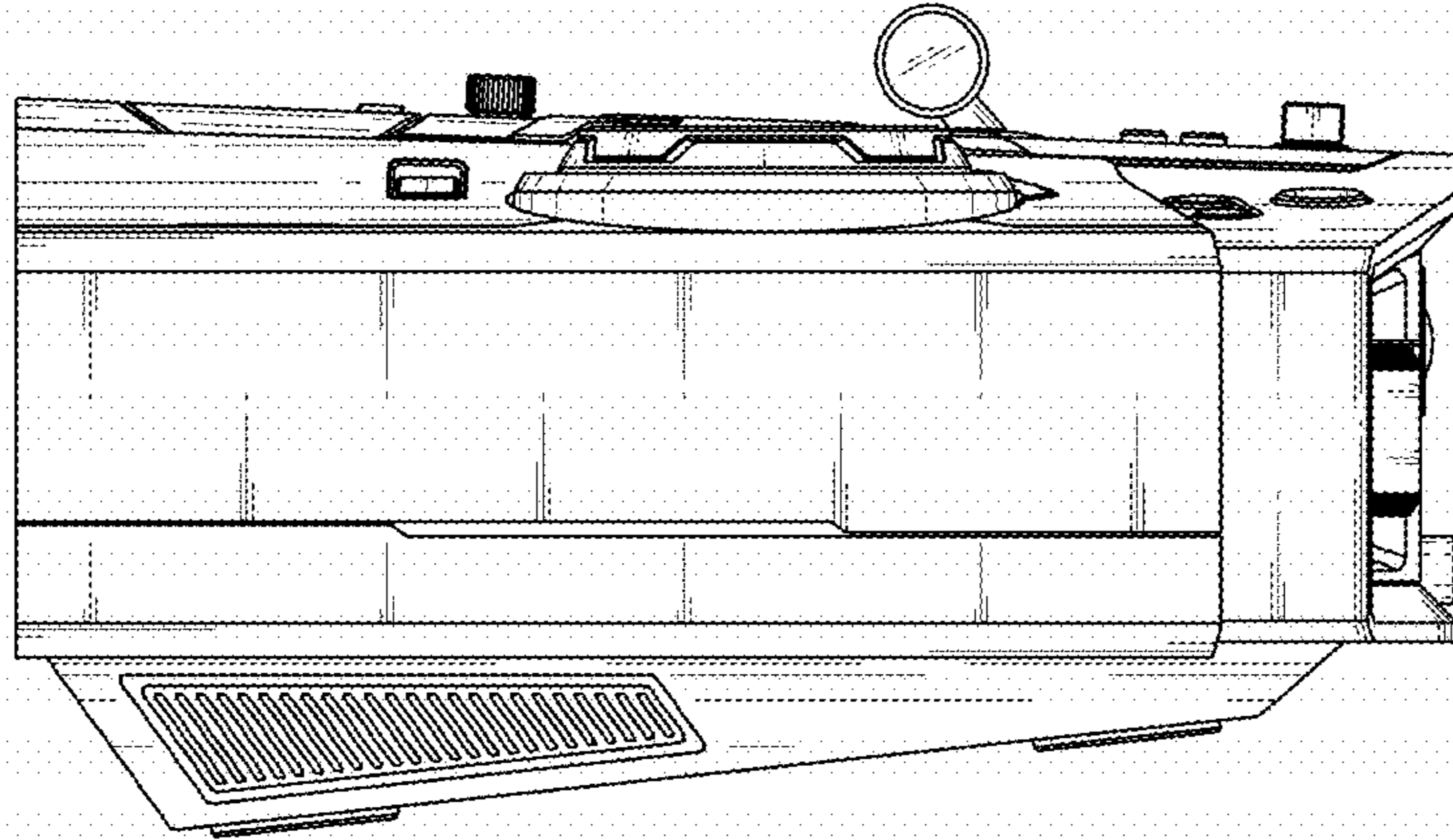


FIG. 5

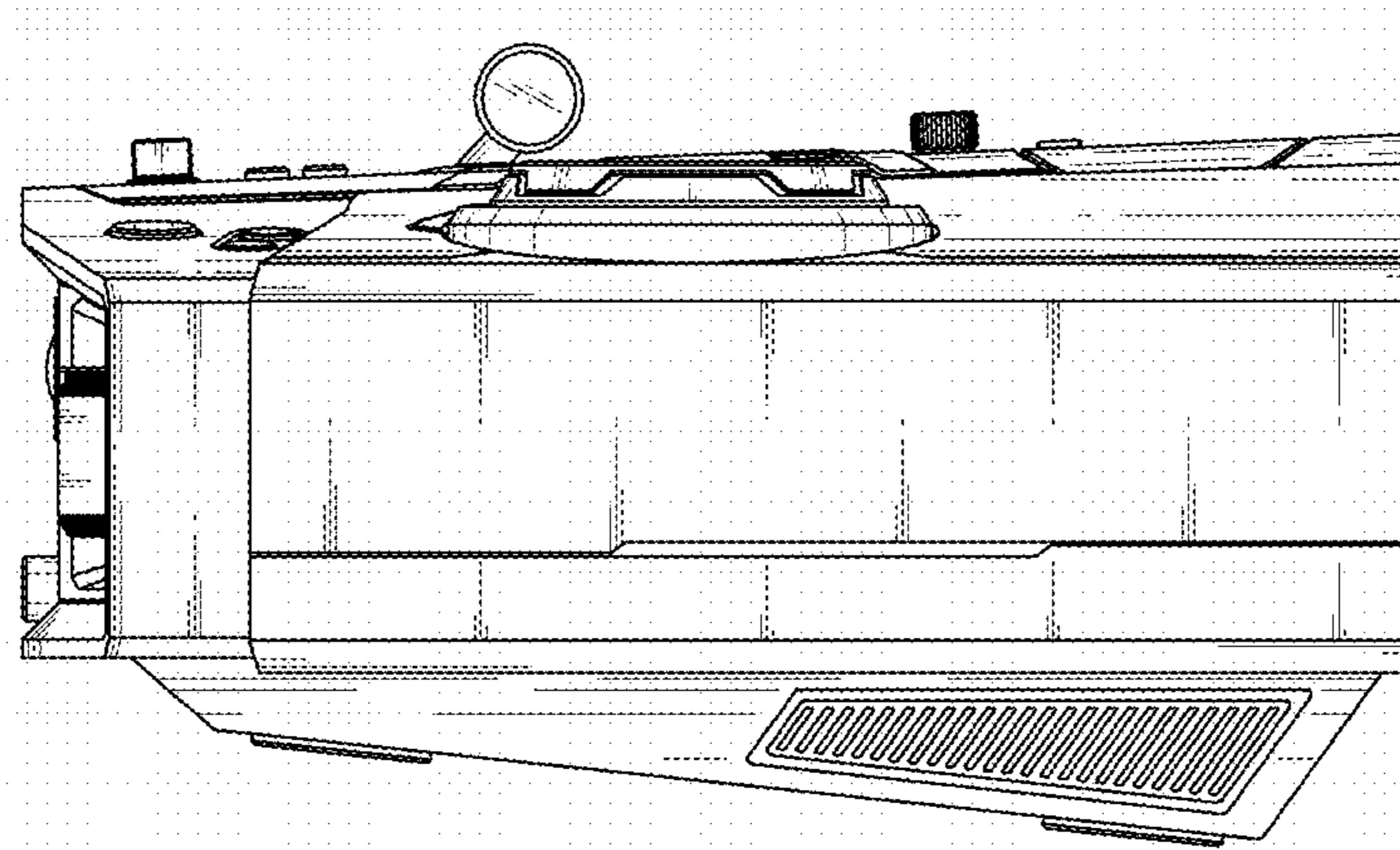


FIG. 6

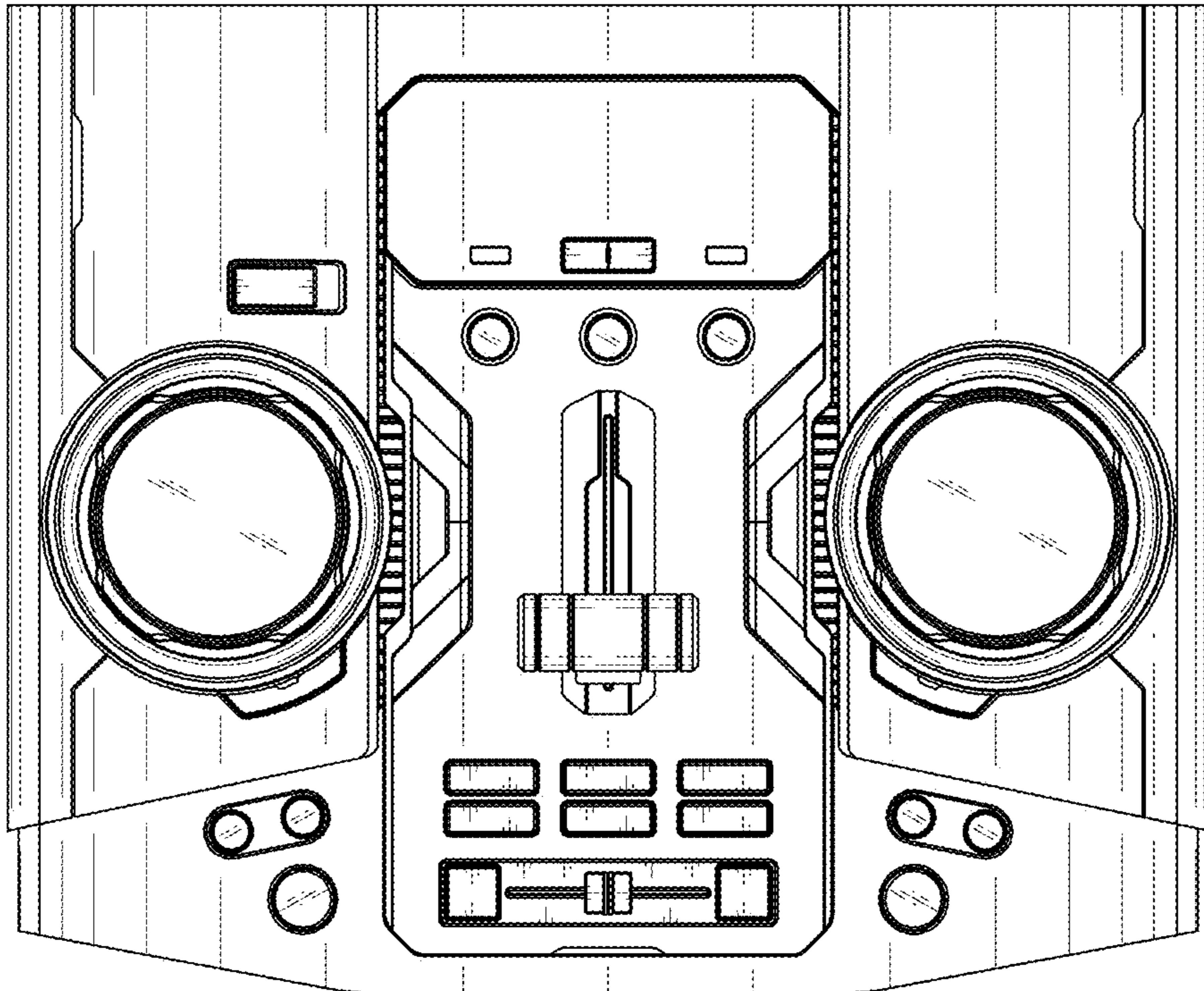


FIG. 7

