



US00D789323S

(12) **United States Design Patent**  
**Mackiewicz et al.**

(10) **Patent No.:** **US D789,323 S**  
(45) **Date of Patent:** **\*\* Jun. 13, 2017**

- (54) **PORTABLE LOUDSPEAKER** 7,038,906 B2 \* 5/2006 Hubbard ..... F16M 11/046  
312/223.1
- (71) Applicant: **Harman International Industries, Incorporated**, Northridge, CA (US) D584,716 S \* 1/2009 Ahlgren ..... D14/214  
D597,075 S \* 7/2009 Irii ..... D14/214  
7,751,703 B2 \* 7/2010 Tanabe ..... G03B 17/02  
396/535
- (72) Inventors: **Damian Mackiewicz**, Shenzhen (CN); D636,373 S \* 4/2011 Miu ..... D10/2  
**Alexander Demin**, Shenzhen (CN); 8,371,709 B2 \* 2/2013 Cheng ..... B60N 3/14  
**Hyungwoo Yoon**, Shenzhen (CN) 219/267
- (73) Assignee: **Harman International Industries, Incorporated**, Northridge, CA (US) D685,346 S \* 7/2013 Szymanski ..... D14/214  
8,714,347 B2 \* 5/2014 Mongan ..... H04B 1/3877  
206/45.24
- (\*\*) Term: **15 Years** 8,880,129 B2 \* 11/2014 Lee ..... H04M 1/0249  
361/679.01

(Continued)

(21) Appl. No.: **29/558,582**

*Primary Examiner* — Prabhakar Deshmukh

(22) Filed: **Mar. 18, 2016**

(74) *Attorney, Agent, or Firm* — Plumsea Law Group, LLC

**Related U.S. Application Data**

(63) Continuation of application No. 29/496,291, filed on Jul. 11, 2014, now Pat. No. Des. 754,092.

(51) **LOC (10) Cl.** ..... **14-03**

(52) **U.S. Cl.**

USPC ..... **D14/172**; D14/217; D14/221

(58) **Field of Classification Search**

USPC ..... D14/204, 204.1, 210–216, 172, 221, D14/224.1, 223; 181/143, 144, 147, 148, 181/150–153, 157, 198, 199, 155; 381/300–306, 332, 333, 336, 345, 381/361–364, 82, 150; 455/575.1, 575.8, 455/90.3, 349

CPC ..... H04R 1/02; H04R 1/023; H04R 1/025; H04R 1/026; H04R 2400/00

See application file for complete search history.

(56) **References Cited**

**U.S. PATENT DOCUMENTS**

5,261,122 A \* 11/1993 Otsuki ..... A45F 5/02  
224/670

5,943,520 A \* 8/1999 Komatsuzaki ..... G03B 17/04  
396/177

(57) **CLAIM**

The ornamental design for a portable loudspeaker, as shown and described.

**DESCRIPTION**

FIG. 1 is a perspective view of a portable loudspeaker showing my new design;

FIG. 2 is a front elevational view thereof;

FIG. 3 is a top plan view thereof;

FIG. 4 is a bottom plan view thereof;

FIG. 5 is a side elevational view of one side thereof;

FIG. 6 is a side elevational view of the opposite side thereof;

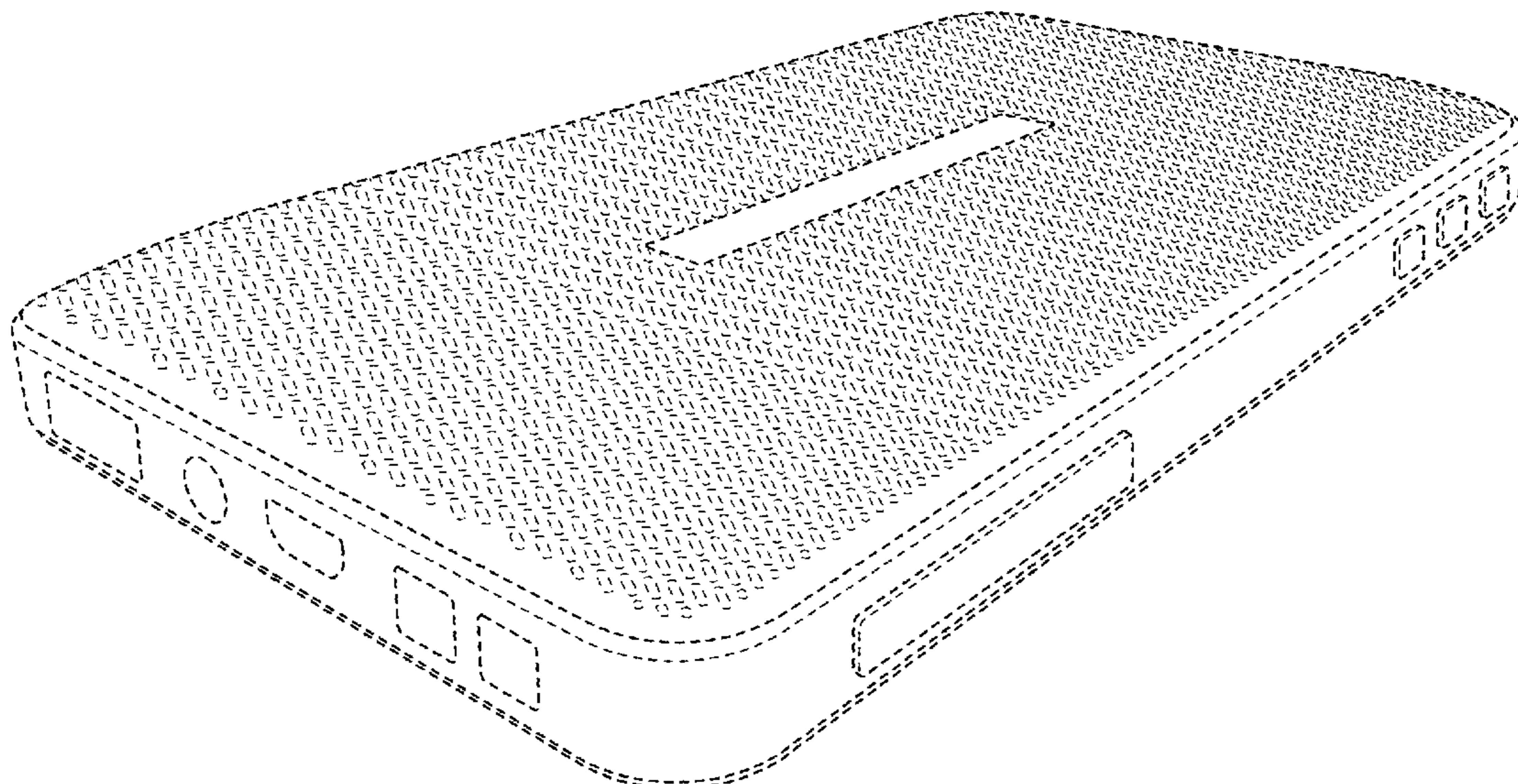
FIG. 7 is a rear elevational view thereof;

FIG. 8 is a rear perspective view thereof showing the stand in a retracted position flush with the rear face; and,

FIG. 9 is a rear perspective view thereof showing the stand in an extended position.

The broken lines illustrate environment and forms no part of the claimed design.

**1 Claim, 8 Drawing Sheets**



(56)

**References Cited**

U.S. PATENT DOCUMENTS

9,023,514 B2 \* 5/2015 Tatehata ..... H01M 2/0215  
429/162  
9,049,505 B2 \* 6/2015 Wang ..... H04R 1/02

\* cited by examiner

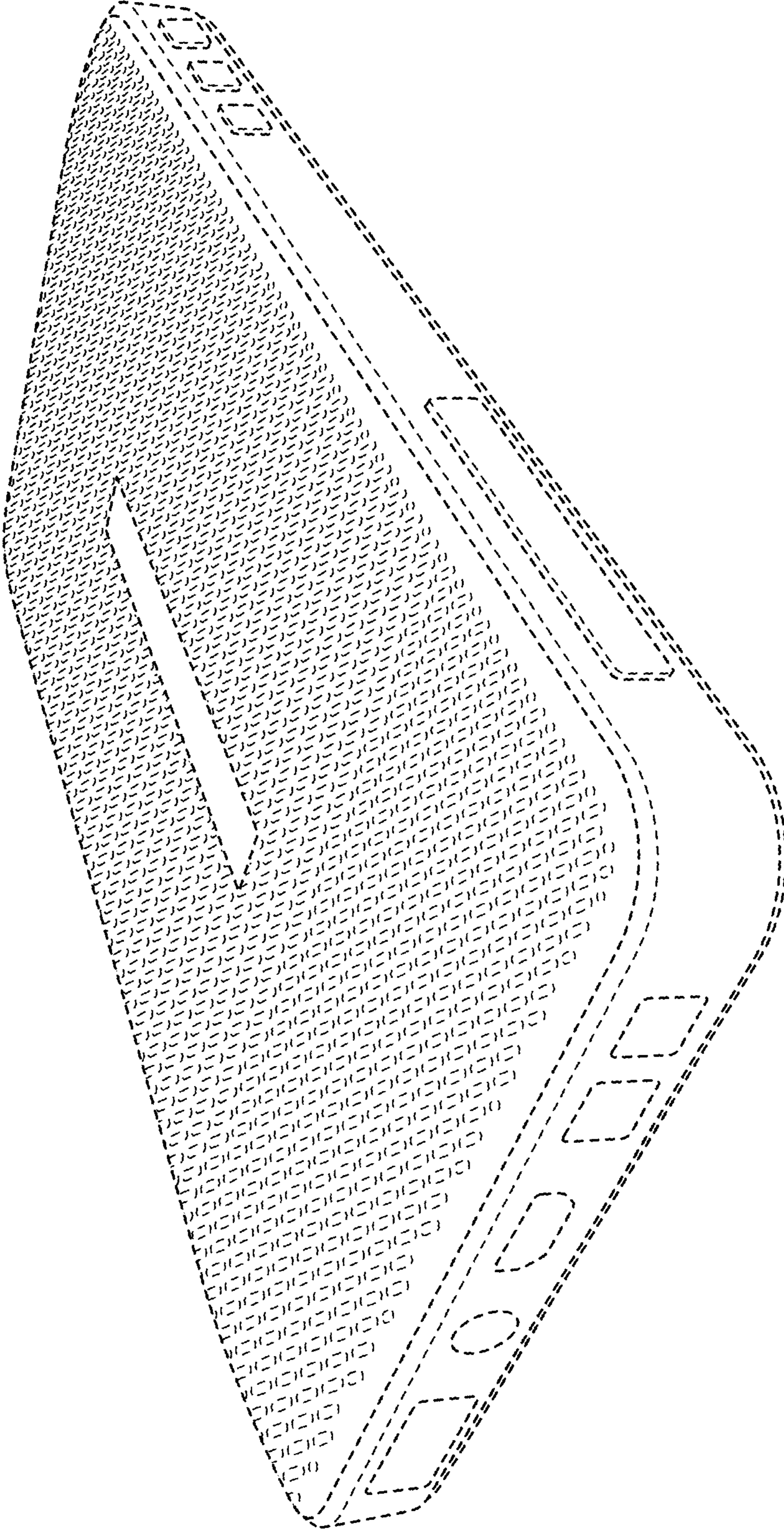
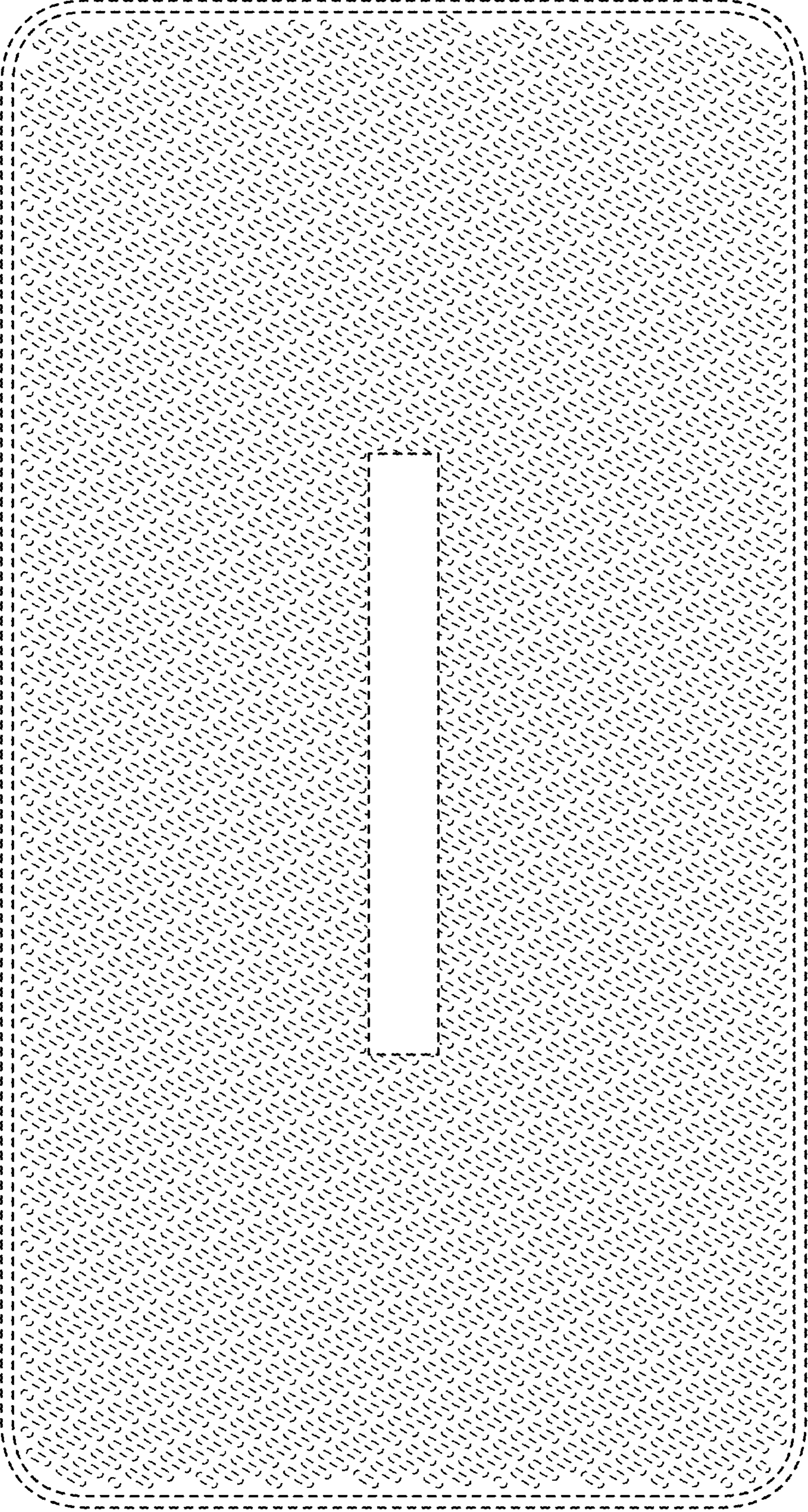
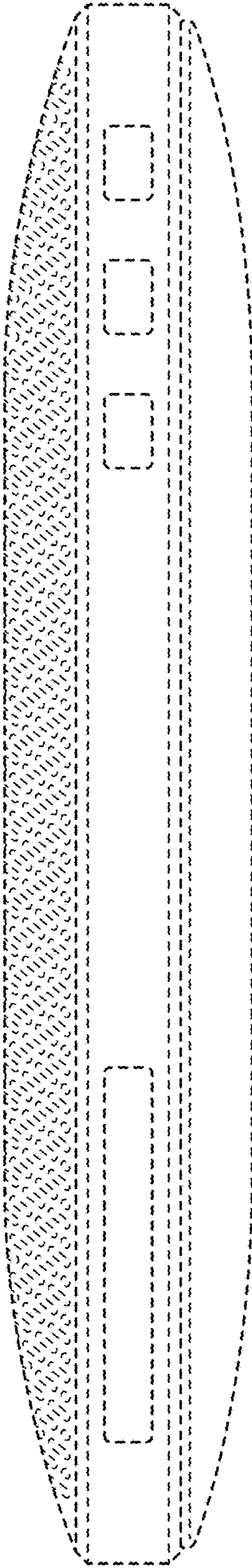


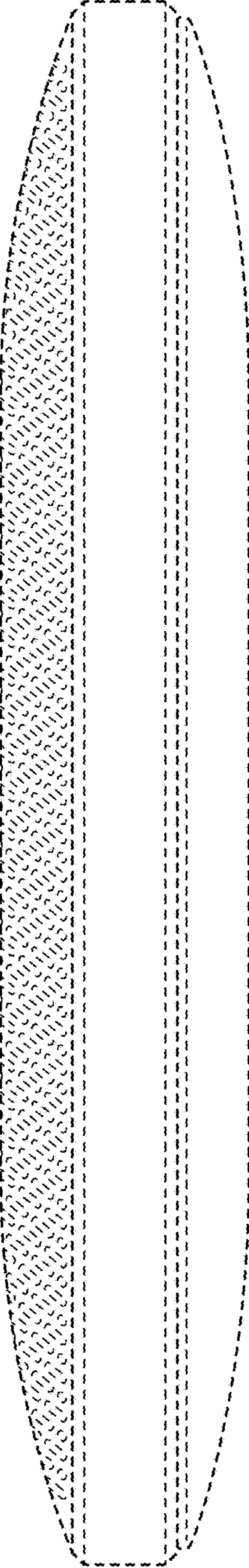
FIG. 1



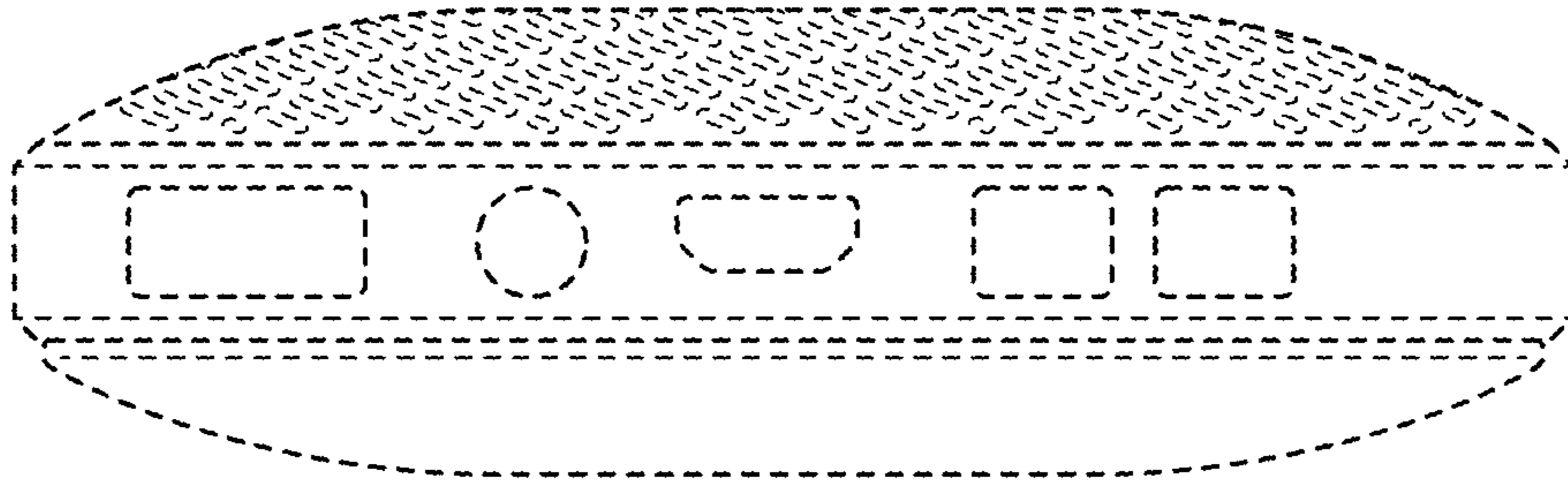
**FIG. 2**



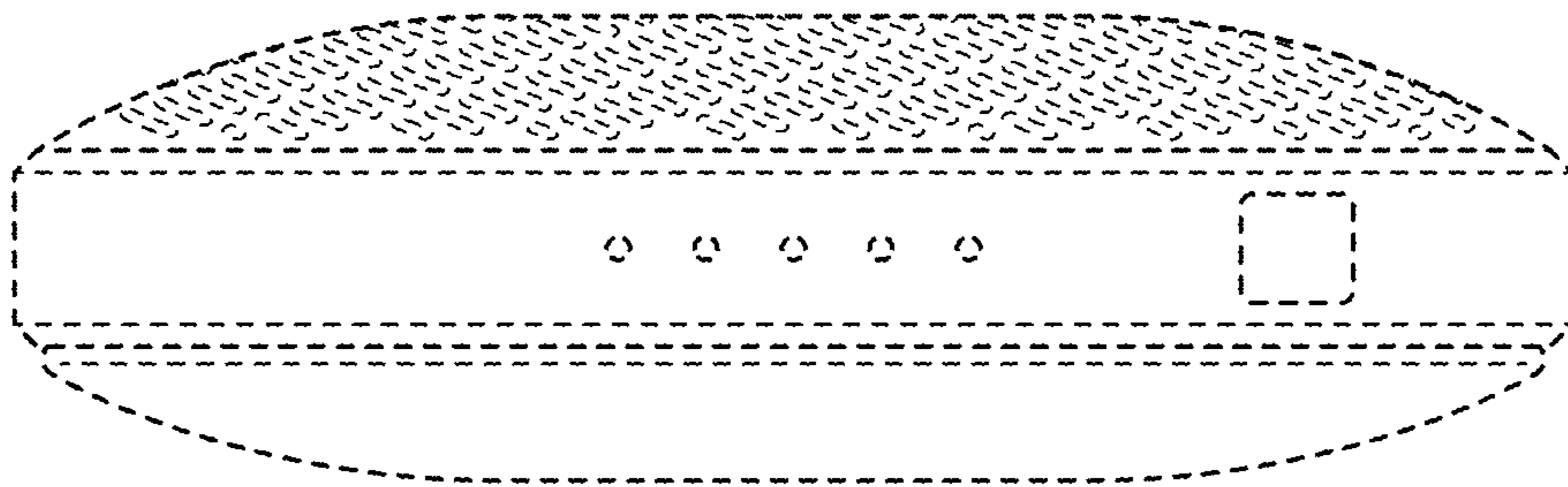
**FIG. 3**



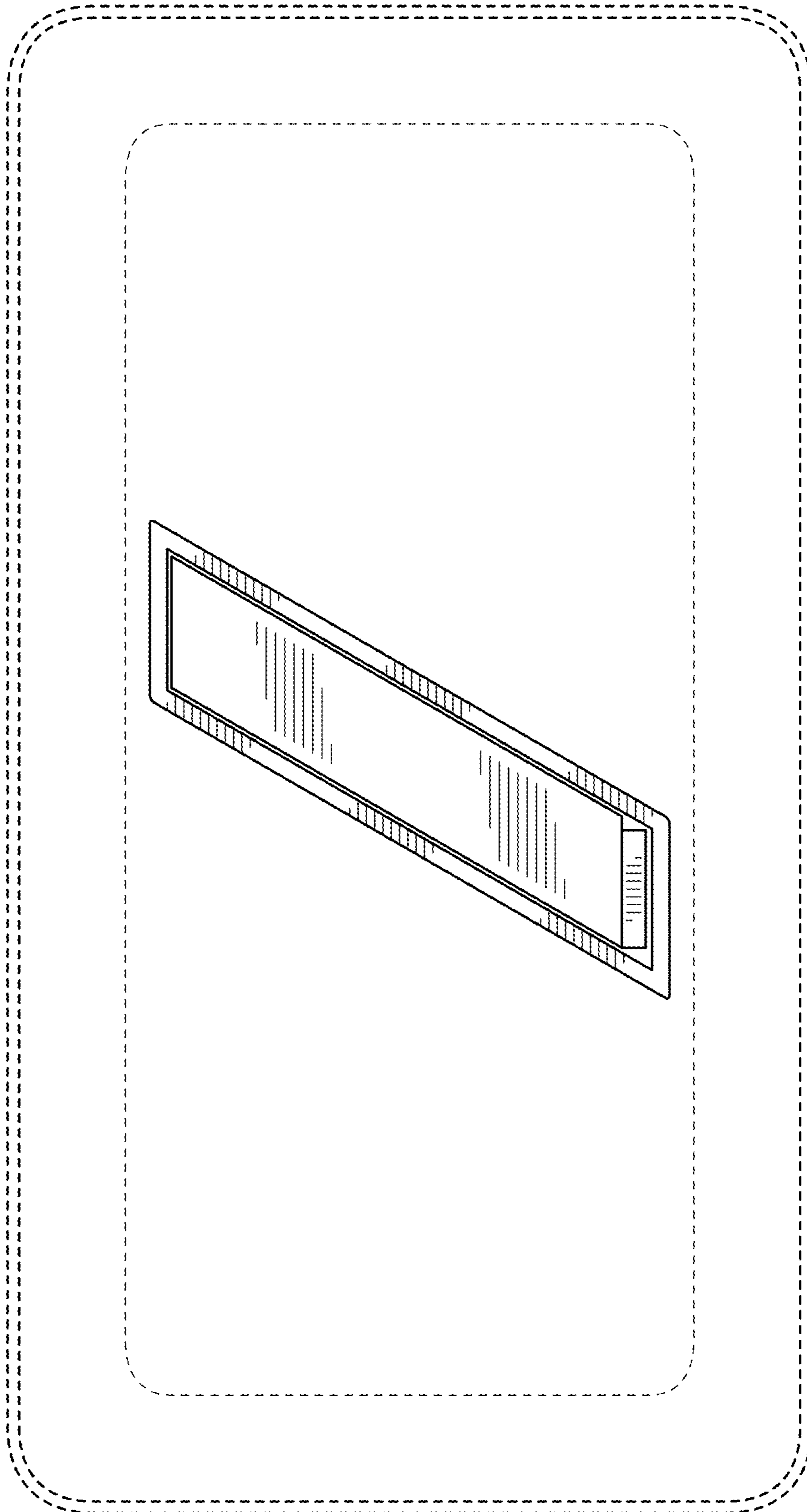
**FIG. 4**



**FIG. 5**



**FIG. 6**



**FIG. 7**



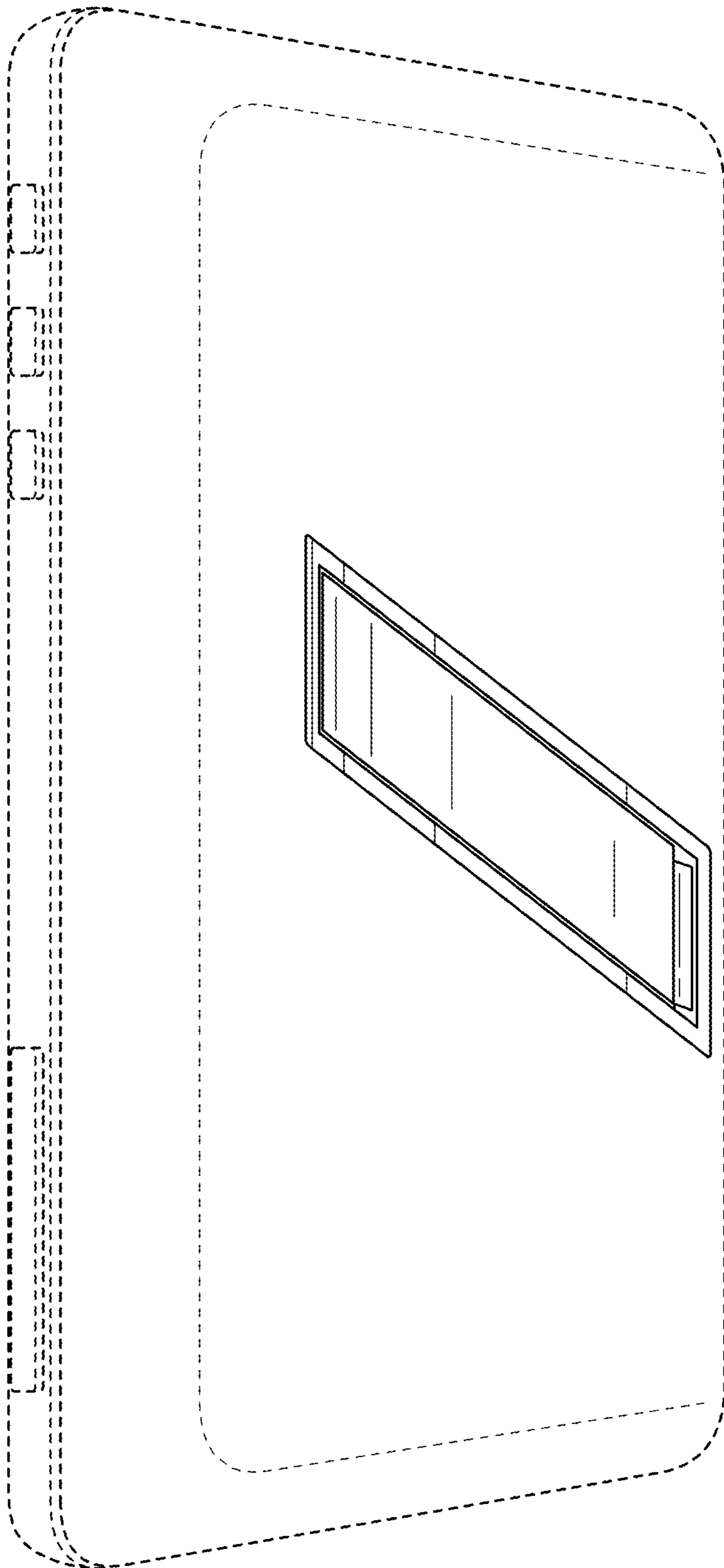


FIG. 8

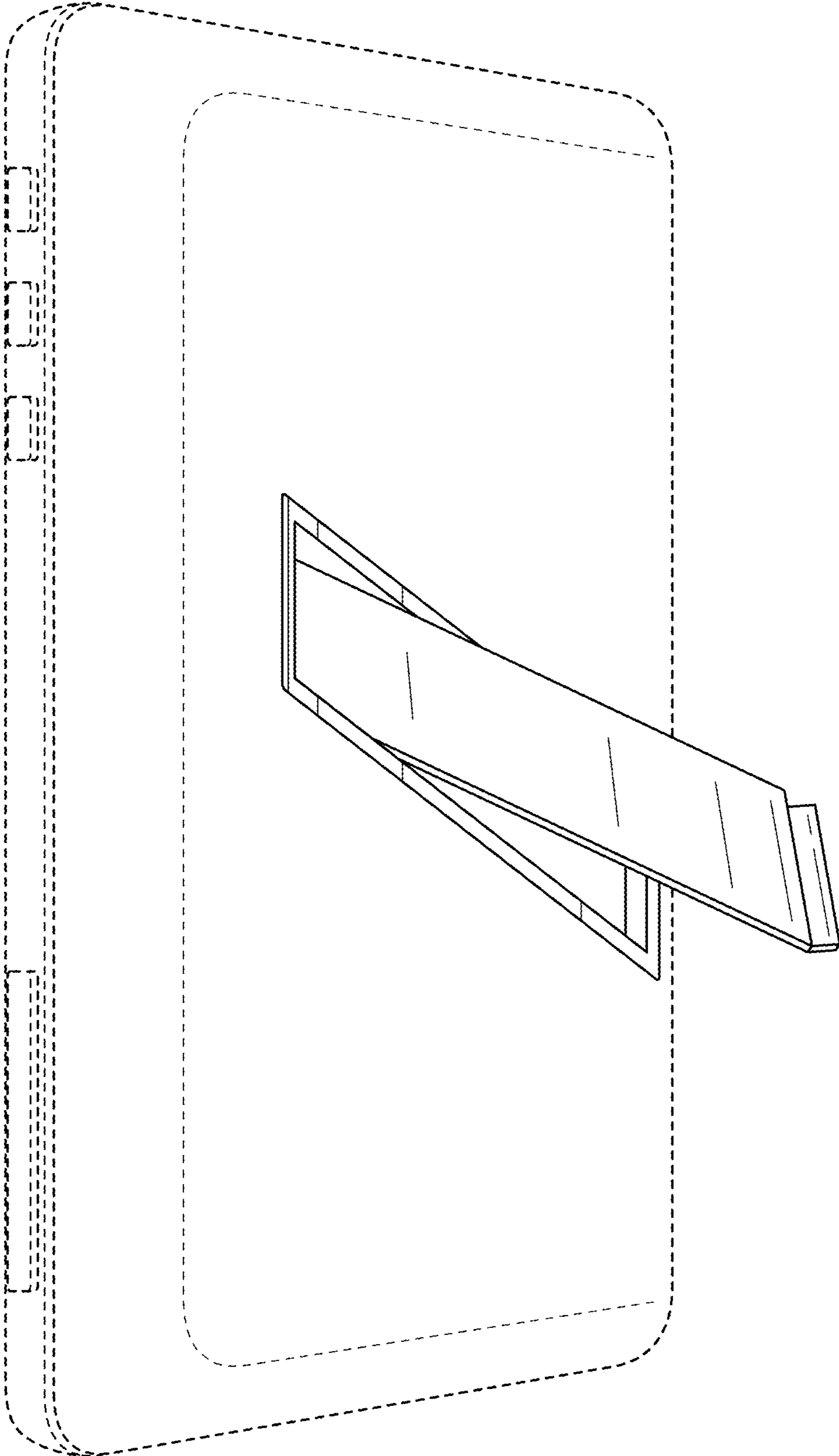


FIG. 9