



US00D789319S

(12) **United States Design Patent** (10) **Patent No.:** **US D789,319 S**
Schwarz et al. (45) **Date of Patent:** **** Jun. 13, 2017**

(54) **KEY MODULE**
 (71) Applicant: **Unify GmbH & Co. KG**, Munich (DE)
 (72) Inventors: **Dieter Schwarz**, Munich (DE); **Bram Van Krieken**, Munich (DE)
 (73) Assignee: **Unify GmbH & Co. KG**, Munich (DE)
 (**) Term: **15 Years**
 (21) Appl. No.: **29/537,317**

D296,784 S 7/1988 Yamagishi
 D297,325 S * 8/1988 Engstrom D14/149
 D298,939 S 12/1988 Morikawa
 D299,646 S * 1/1989 Stierwalt D14/151
 D300,926 S 5/1989 Morikawa et al.
 D306,027 S * 2/1990 Gagnon D14/140.9
 D307,009 S 4/1990 Boykiw
 D310,076 S * 8/1990 Kido D14/151
 D313,235 S 12/1990 Kido et al.
 D326,649 S * 6/1992 Joffe D14/142
 D328,295 S 7/1992 Gagnon
 D330,028 S 10/1992 Gagnon

(Continued)

(22) Filed: **Aug. 25, 2015**
 (30) **Foreign Application Priority Data**

Feb. 27, 2015 (DE) 40 2015 000 398

(51) **LOC (10) Cl.** **14-03**
 (52) **U.S. Cl.**
 USPC **D14/140.9**

(58) **Field of Classification Search**
 USPC ... D14/140, 140.1, 140.7, 140.8, 141.2, 142,
 D14/147, 148, 149, 151, 150, 158, 159,
 D14/188, 217, 240, 243, 247, 248, 251,
 D14/299, 329; D13/164, 184
 CPC H04M 1/00; H04M 1/003; H04M 1/02;
 H04M 1/03; H04M 1/04; H04M 1/0202;
 H04M 1/06; H04M 1/0625; H04M 1/08;
 H04M 1/22; H04M 1/23; H04M 1/52;
 H04M 1/6033; H04M 1/6041; H04M
 9/002; H04M 9/003; H04M 9/005; H04M
 9/006; H04M 9/007
 See application file for complete search history.

(56) **References Cited**
 U.S. PATENT DOCUMENTS
 D279,185 S 6/1985 Felix et al.
 D279,674 S 7/1985 Harley
 D285,072 S * 8/1986 Hill D14/151
 D287,723 S * 1/1987 Kido D14/140.11
 D295,514 S 5/1988 Inaba

OTHER PUBLICATIONS

OpenScape Keymodul CP600 front view. wiki.unify.com. (online)
 2 pgs. Uploaded Apr. 21, 2016 [retrieved on Oct. 21, 2016]
http://wiki.unify.com/index.php?title=File:OpenScape_Keymodul_CP600_front_view.png&printable=yes.*

(Continued)

Primary Examiner — Susan Bennett Hattan
Assistant Examiner — Marie Fast Horse
 (74) *Attorney, Agent, or Firm* — Buchanan Ingersoll & Rooney PC

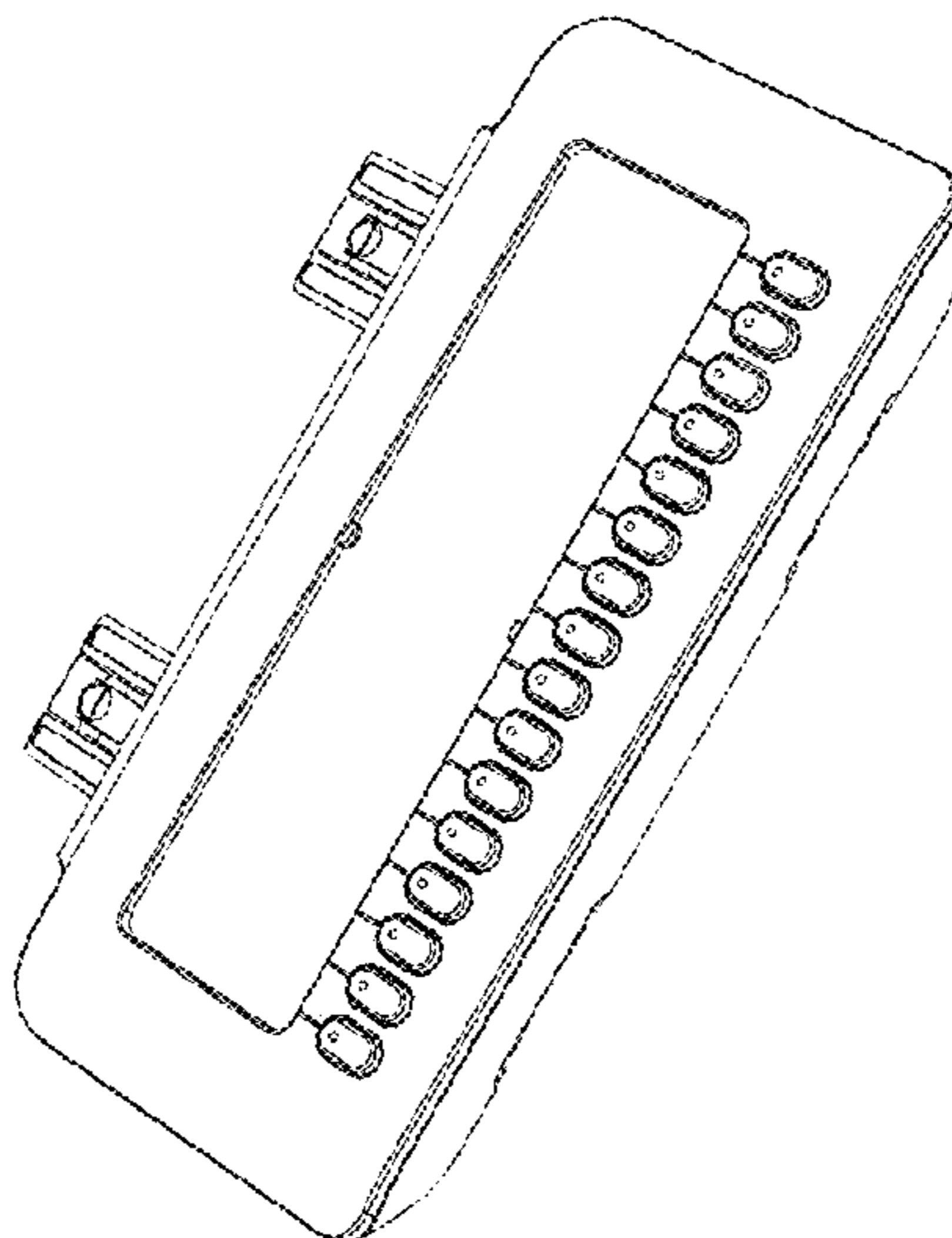
(57) **CLAIM**

The ornamental design for a key module, as shown and described.

DESCRIPTION

FIG. 1 is a perspective view of our key module;
 FIG. 2 is a front view thereof;
 FIG. 3 is a rear view thereof;
 FIG. 4 is a left side view thereof;
 FIG. 5 is a right side view thereof;
 FIG. 6 is a top view thereof; and,
 FIG. 7 is a bottom view thereof.
 Features of the key module shown in broken line in FIG. 3 form no part of the claimed design.

1 Claim, 7 Drawing Sheets



(56)

References Cited

U.S. PATENT DOCUMENTS

D332,786 S 1/1993 Gagnon
 5,187,743 A 2/1993 Gumb et al.
 D340,057 S * 10/1993 Wetzel D14/140.9
 D340,715 S * 10/1993 Desbarats D14/151
 D374,674 S 10/1996 Elkins et al.
 D375,496 S * 11/1996 Jensen D14/150
 D387,063 S 12/1997 Hillenmayer et al.
 D413,332 S * 8/1999 Delhaes D14/140.8
 D417,222 S * 11/1999 Johnson D14/140.9
 D428,000 S * 7/2000 Takayama D14/140.9
 D442,158 S * 5/2001 Isonaga D13/108
 D457,867 S * 5/2002 Rath D14/147
 D472,236 S * 3/2003 Schramm D14/144
 D482,679 S * 11/2003 Hillenmayer D14/140.9
 D557,693 S 12/2007 Kim
 D558,192 S 12/2007 Daly et al.
 D573,974 S * 7/2008 Liu D14/140.8
 D583,353 S * 12/2008 Brown D14/140.8
 D591,276 S * 4/2009 Takada D14/240
 D597,057 S 7/2009 Sheppard
 D597,058 S 7/2009 Sheppard
 D598,002 S 8/2009 Sheppard et al.
 D613,263 S 4/2010 Haberl et al.
 D634,295 S * 3/2011 Turnbull D14/140.8

7,940,906 B2 * 5/2011 Basart H04M 1/2535
 379/142.12
 D681,027 S 4/2013 Fuxen
 D723,501 S * 3/2015 Jeon D14/140.8
 D729,789 S 5/2015 Jeon et al.
 D739,373 S * 9/2015 Hillenmayer D14/144
 D754,118 S 4/2016 Leung
 2005/0069126 A1 3/2005 Xue

OTHER PUBLICATIONS

OpenScape Keymodul CP400 front view. wiki.unify.com. (online)
 2 pgs. Uploaded Apr. 21, 2016 [retrieved on Oct. 21, 2016]
[http://wiki.unify.com/index.php?title=File:OpenScape_](http://wiki.unify.com/index.php?title=File:OpenScape_Keymodul_CP400_front_view.png&printable=yes.*)
[Keymodul_CP400_front_view.png&printable=yes.*](http://wiki.unify.com/index.php?title=File:OpenScape_Keymodul_CP400_front_view.png&printable=yes.*)
 Cisco Unified IP Phone Expansion Module 7915. cisco.com. (online
 PDF) 8 pgs. Uploaded Sep. 18, 2009 [retrieved on Oct. 21, 2016]
[http://www.cisco.com/c/en/us/products/collateral/collaboration-](http://www.cisco.com/c/en/us/products/collateral/collaboration-endpoints/unified-ip-phone-expansion-module-7915/data_sheet_c78-468672.pdf.*)
[endpoints/unified-ip-phone-expansion-module-7915/data_sheet_](http://www.cisco.com/c/en/us/products/collateral/collaboration-endpoints/unified-ip-phone-expansion-module-7915/data_sheet_c78-468672.pdf.*)
[c78-468672.pdf.*](http://www.cisco.com/c/en/us/products/collateral/collaboration-endpoints/unified-ip-phone-expansion-module-7915/data_sheet_c78-468672.pdf.*)
 Key Module (CN 303605403). (Design-© Questel). orbit.com
 [online PDF] 9 pages. Print Date Mar. 2, 2016 [retrieved on Oct. 21,
 2016] [https://sobjprd.questel.fr/export/QPTUJ214/pdf2/d3278c2e-](https://sobjprd.questel.fr/export/QPTUJ214/pdf2/d3278c2e-4c2a-4c5a-9026-ce41c71b9fd1-204307.pdf.*)
[4c2a-4c5a-9026-ce41c71b9fd1-204307.pdf.*](https://sobjprd.questel.fr/export/QPTUJ214/pdf2/d3278c2e-4c2a-4c5a-9026-ce41c71b9fd1-204307.pdf.*)

* cited by examiner

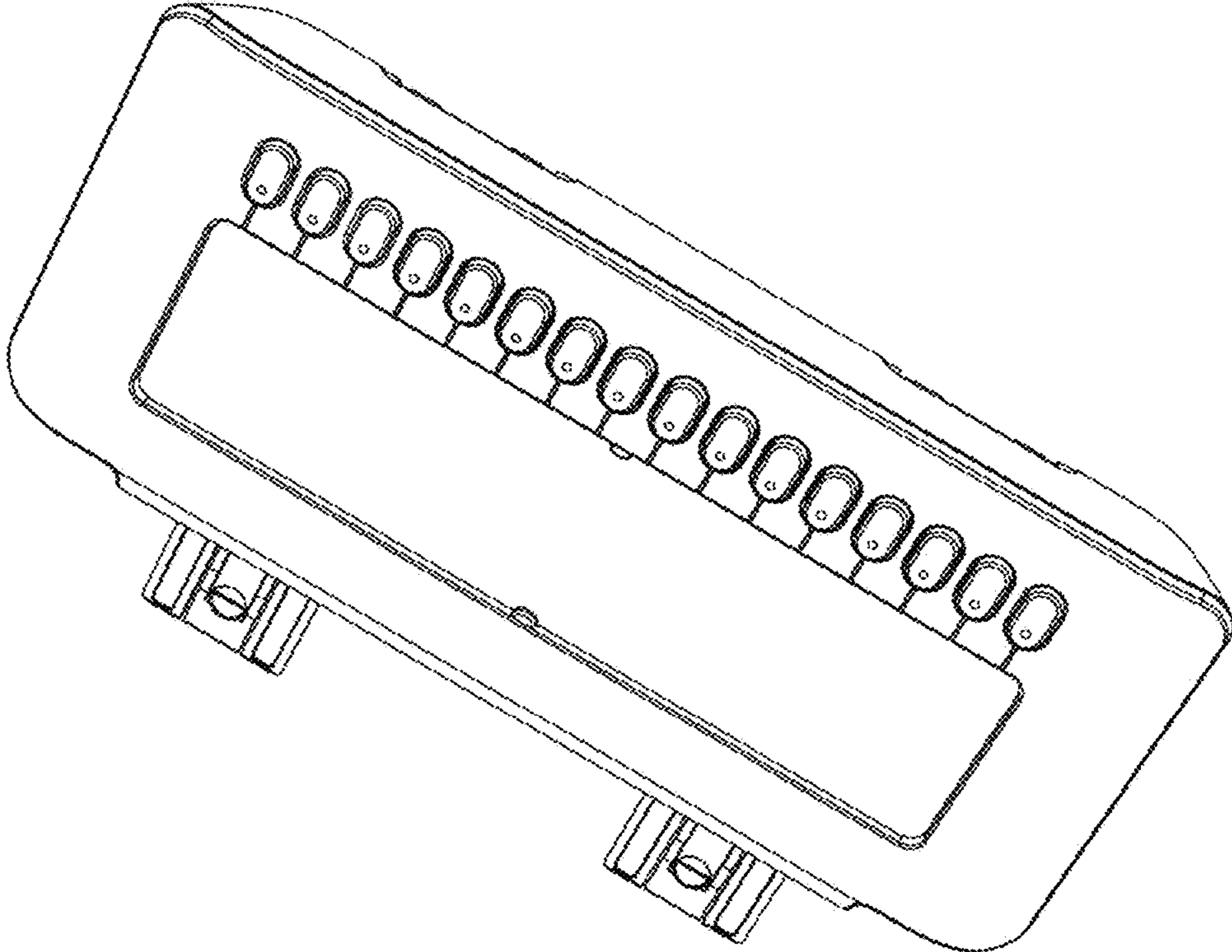


Figure 1

Figure 2

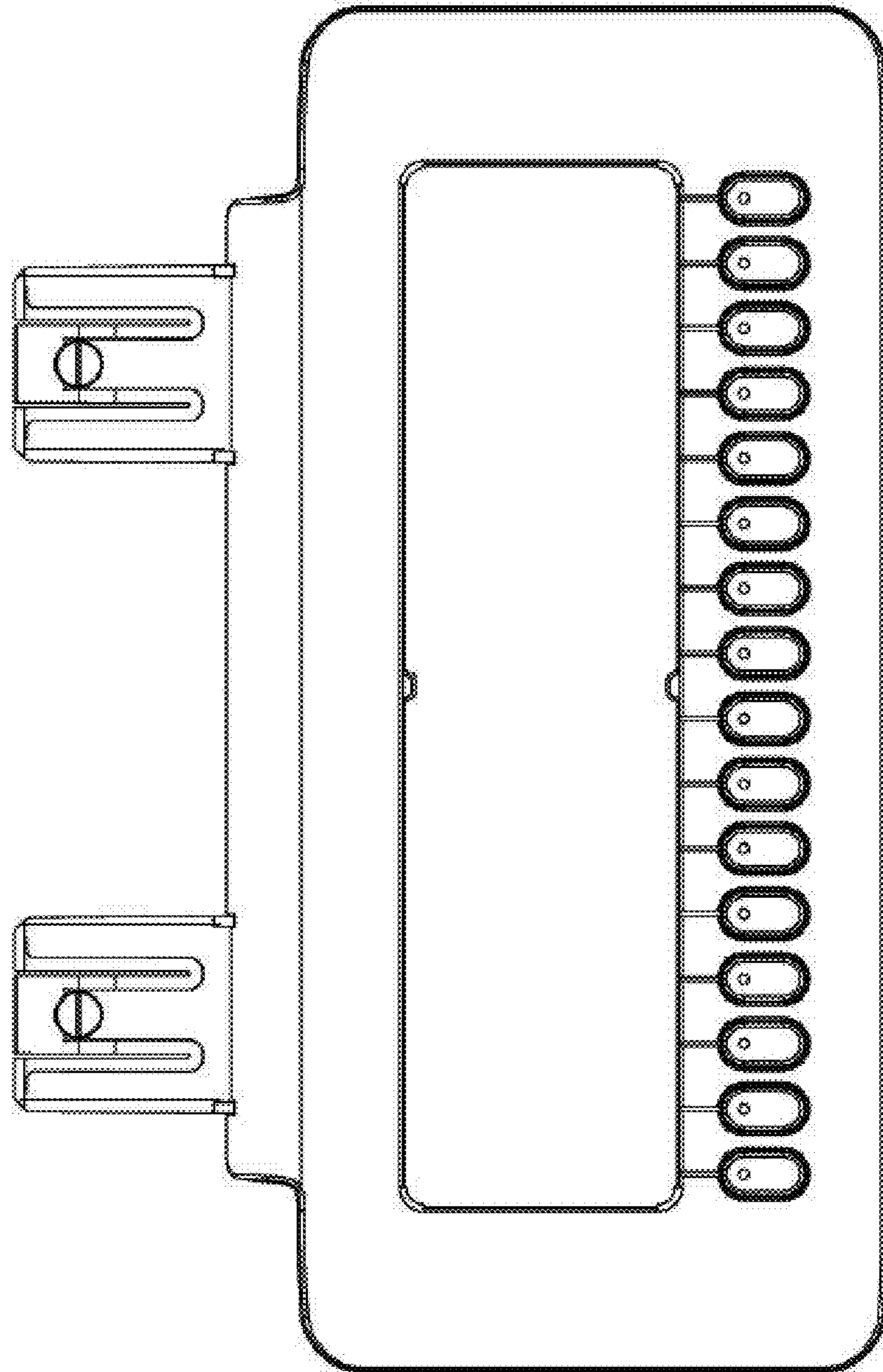
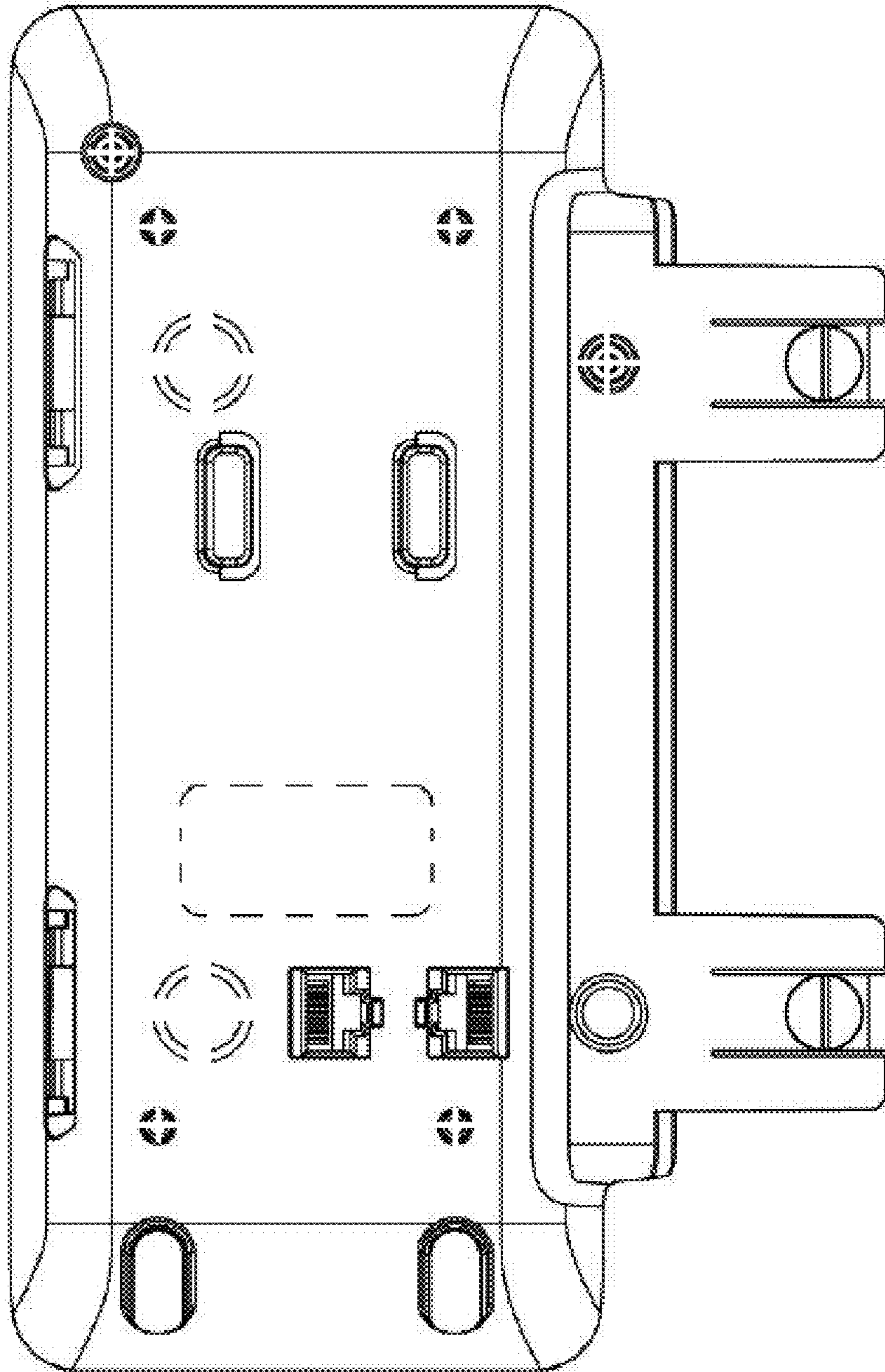


Figure 3



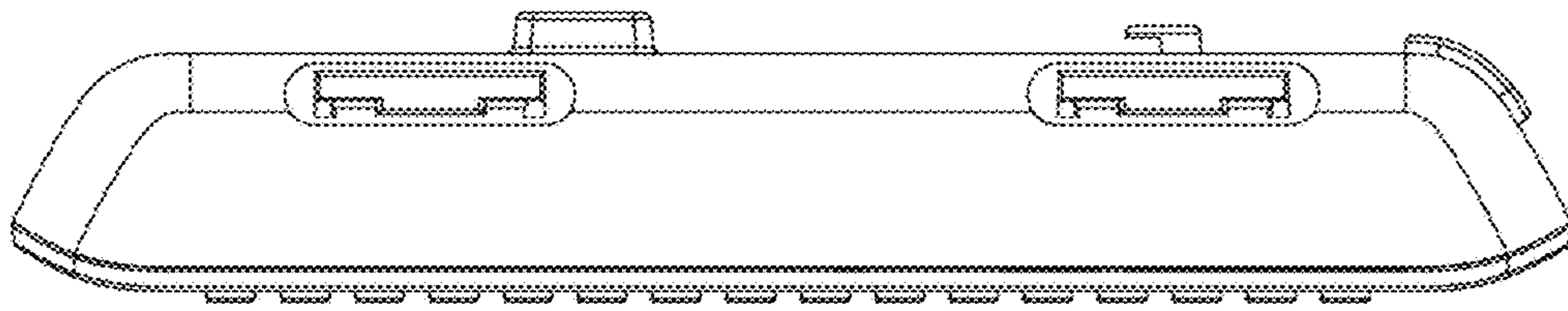


Figure 4



Figure 5

Figure 6

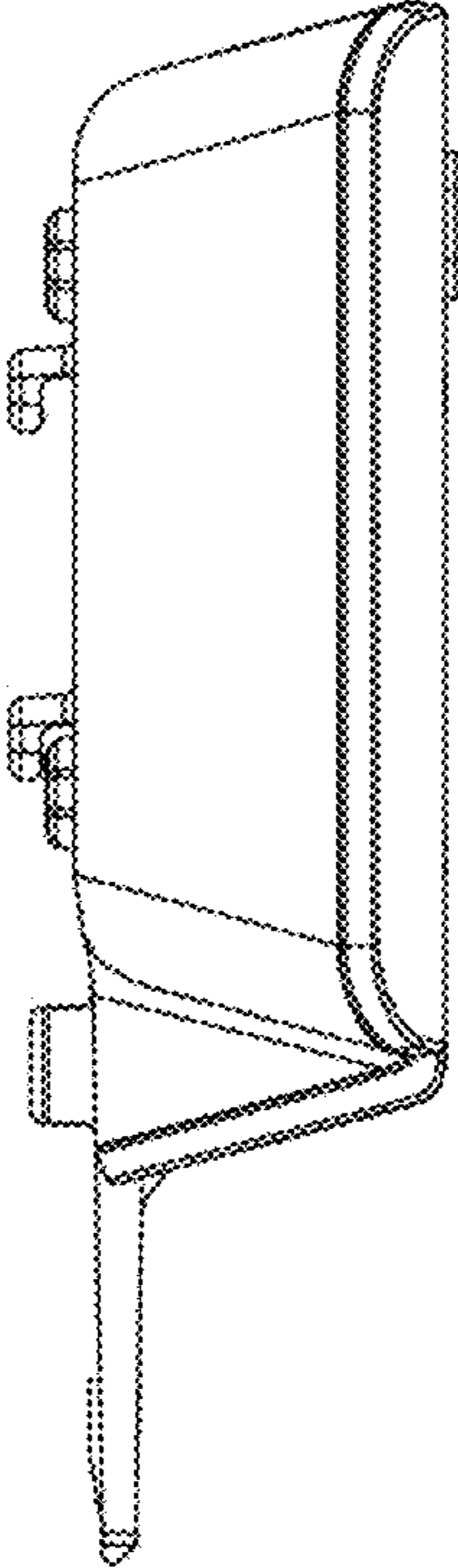


Figure 7

