

US00D789310S

(12) **United States Design Patent**
Kusakabe et al.

(10) **Patent No.:** **US D789,310 S**
(45) **Date of Patent:** **** Jun. 13, 2017**

(54) **WAFER BOAT**

(71) Applicant: **Tokyo Electron Limited**, Tokyo (JP)

(72) Inventors: **Yoshinori Kusakabe**, Iwate (JP);
Masami Oikawa, Iwate (JP)

(73) Assignee: **TOKYO ELECTRON LIMITED**,
Tokyo (JP)

(**) Term: **14 Years**

(21) Appl. No.: **29/525,559**

(22) Filed: **Apr. 30, 2015**

(30) **Foreign Application Priority Data**

Nov. 20, 2014 (JP) 2014-025967

(51) **LOC (10) Cl.** **13-03**

(52) **U.S. Cl.**
USPC **D13/182**

(58) **Field of Classification Search**
USPC D13/182; D15/144, 144.1, 199;
118/715, 500, 728, 729; 211/41.18;
432/253, 258; 156/345.51, 345.52,
156/345.53, 345.55; 414/217, 220.01,
414/935-941
CPC C23C 16/458; C23C 16/4581; C23C
16/4582; C23C 16/4583; C23C 16/4584;
C23C 16/4586; C23C 16/4587; C23C
16/4588; C30B 31/14; H01L 21/673;
H01L 21/67303; H01L 21/67306; H01L
21/67309; H01L 21/67313; H01L
21/67316; H01L 21/67323; H01L
21/67326; H01L 21/6733

See application file for complete search history.

(56) **References Cited**

U.S. PATENT DOCUMENTS

D361,752 S * 8/1995 Yamaga D13/182
D366,868 S * 2/1996 Ohsawa D13/182

D378,675 S * 4/1997 Iwai D13/182
D378,823 S * 4/1997 Watanabe D13/182
D380,454 S * 7/1997 Iwai D13/182
5,752,609 A * 5/1998 Kato H01L 21/67309
118/500

(Continued)

OTHER PUBLICATIONS

U.S. Appl. No. 29/525,561, filed Apr. 30, 2015, Tokyo Electron Limited.

(Continued)

Primary Examiner — Elizabeth J Oswecki
(74) *Attorney, Agent, or Firm* — IPUSA, PLLC

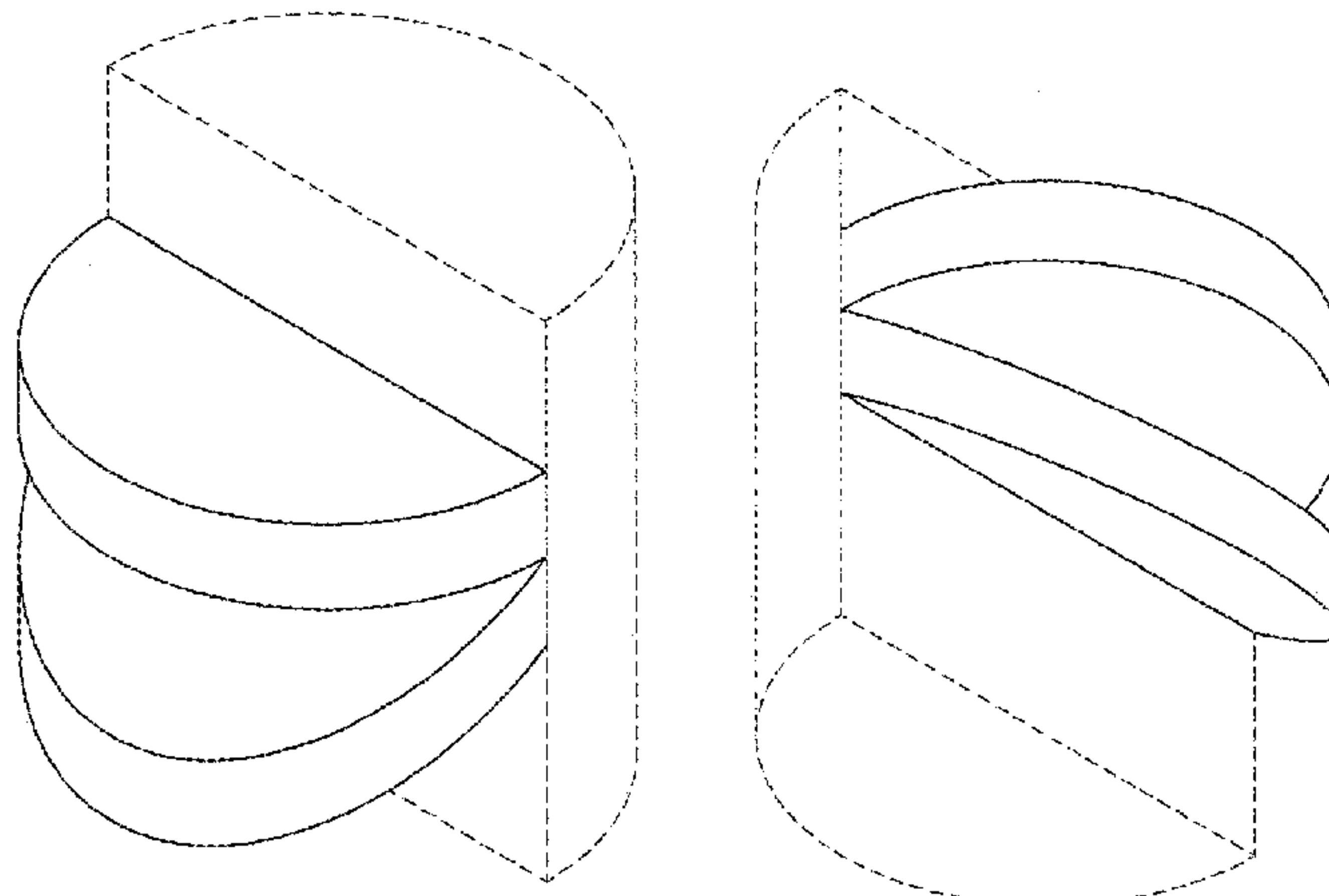
(57) **CLAIM**

The ornamental design for a wafer boat, as shown and described.

DESCRIPTION

FIG. 1 is a front, top plan, and left side perspective view of a wafer boat, showing our new design;
FIG. 2 is an enlarged portion view taken along line 2-2 in FIG. 1;
FIG. 3 is an enlarged portion view taken along line 3-3 in FIG. 1;
FIG. 4 is a front view of FIG. 1;
FIG. 5 is an enlarged portion view taken along line 5-5 in FIG. 4;
FIG. 6 is a right side view of FIG. 1; the left side view being a mirror image;
FIG. 7 is an enlarged portion view taken along line 7-7 in FIG. 6;
FIG. 8 is a top plan view of FIG. 2; and,
FIG. 9 is a bottom plan view of FIG. 2.
The broken lines shown in the drawings represent portions of the wafer boat that form no part of the claimed design. All sides not shown form no part of the claimed design.

1 Claim, 7 Drawing Sheets



(56)

References Cited

U.S. PATENT DOCUMENTS

D404,015 S * 1/1999 Honma D13/182
 D404,371 S * 1/1999 Shimazu D13/182
 5,897,311 A * 4/1999 Nishi C23C 16/4583
 432/239
 D409,158 S * 5/1999 Shimazu 206/832
 D411,176 S * 6/1999 Shimazu D13/182
 6,062,853 A * 5/2000 Shimazu H01L 21/6875
 211/41.18
 6,065,615 A * 5/2000 Uchiyama H01L 21/67306
 118/500
 6,099,302 A * 8/2000 Hong C30B 25/12
 211/41.18
 6,099,645 A * 8/2000 Easley C30B 31/14
 118/500
 6,287,112 B1 * 9/2001 Van Voorst
 Vader H01L 21/67309
 118/728
 6,341,935 B1 * 1/2002 Tseng H01L 21/67303
 118/500
 D570,308 S * 6/2008 Sato D13/182
 D570,309 S * 6/2008 Sato D13/182
 D580,894 S * 11/2008 Sato D13/182
 7,484,958 B2 * 2/2009 Kobayashi H01L 21/67309
 211/41.18
 D600,221 S * 9/2009 Sato D13/182
 D600,222 S * 9/2009 Sato D13/182

D616,394 S * 5/2010 Sato D13/182
 D616,395 S * 5/2010 Sato D13/182
 D655,255 S * 3/2012 Takebayashi D13/182
 D655,682 S * 3/2012 Takebayashi D13/182
 D737,785 S * 9/2015 Yoshida D13/182
 D738,329 S * 9/2015 Yoshida D13/182
 D739,831 S * 9/2015 Takagi D13/182
 D740,769 S * 10/2015 Takagi D13/182
 D747,279 S * 1/2016 Yoshida D13/182
 2002/0092815 A1 * 7/2002 Kim C30B 31/14
 211/41.18
 2002/0113027 A1 * 8/2002 Minami H01L 21/67109
 211/41.18
 2002/0130061 A1 * 9/2002 Hengst C23C 16/325
 206/710
 2002/0187023 A1 * 12/2002 Araki C30B 31/14
 414/160
 2003/0024888 A1 * 2/2003 Payne H01L 21/67303
 211/41.18
 2005/0145584 A1 * 7/2005 Buckley H01L 21/67303
 211/41.18

OTHER PUBLICATIONS

U.S. Appl. No. 29/525,563, filed Apr. 30, 2015, Tokyo Electron Limited.
 U.S. Appl. No. 29/525,566, filed Apr. 30, 2015, Tokyo Electron Limited.

* cited by examiner

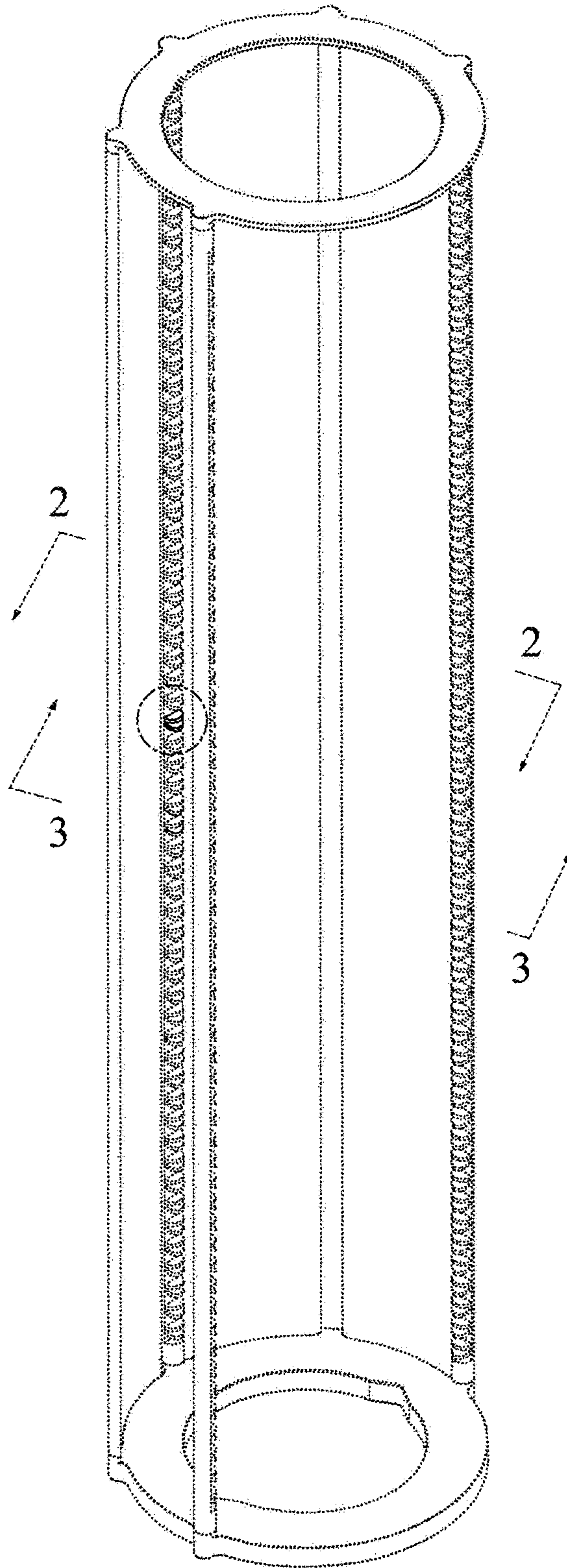


Fig. 1

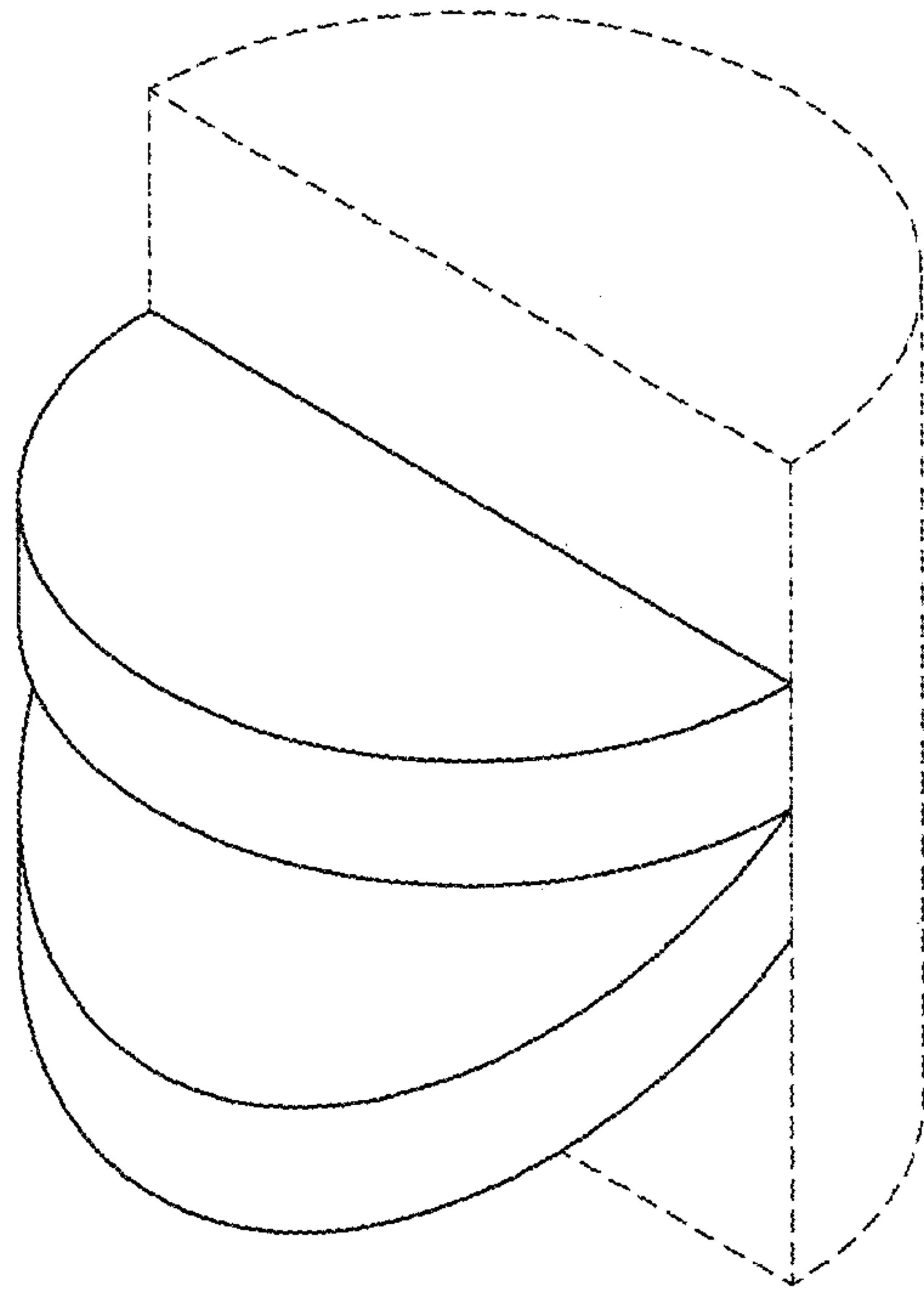


Fig. 2

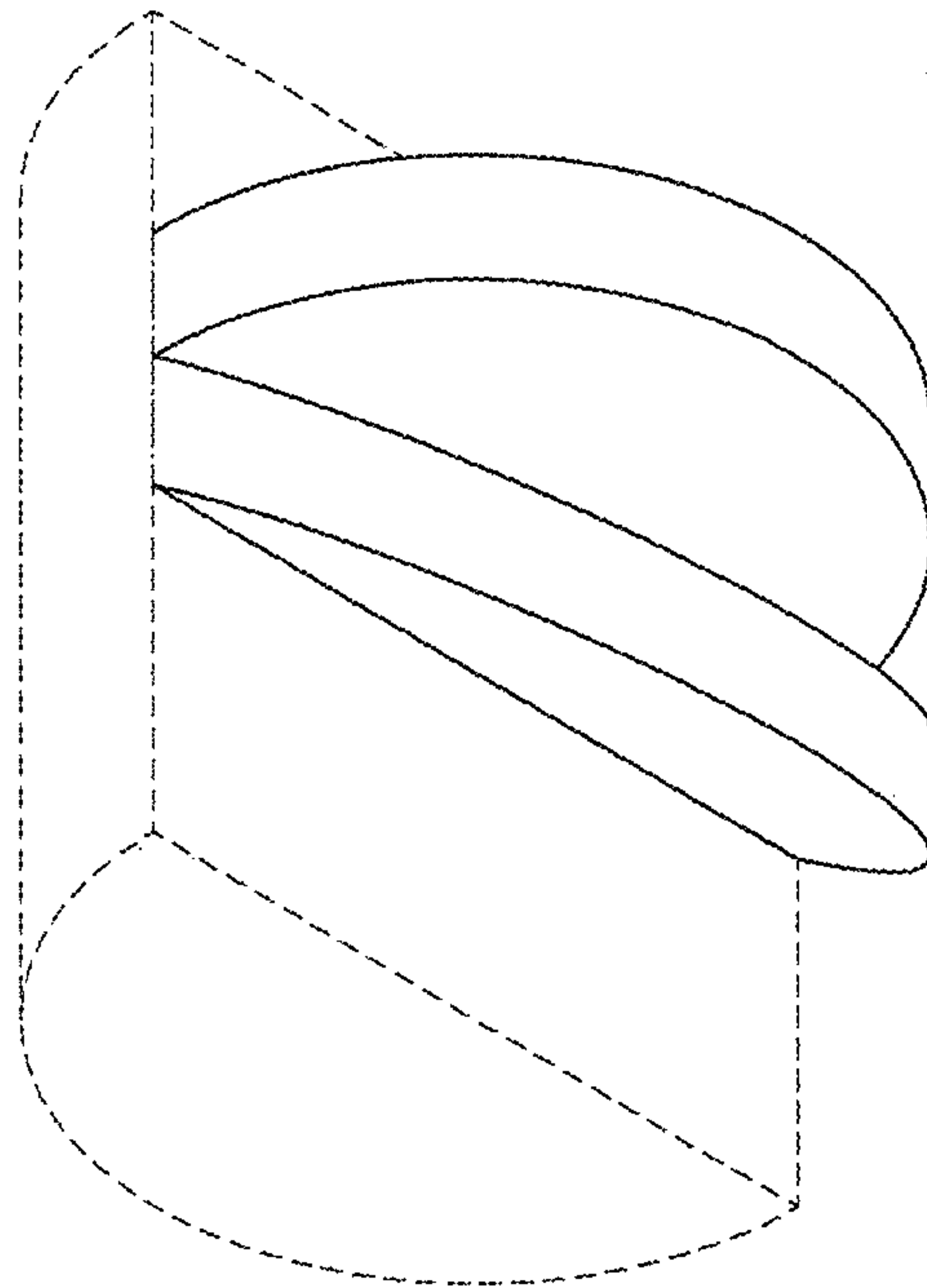


Fig. 3

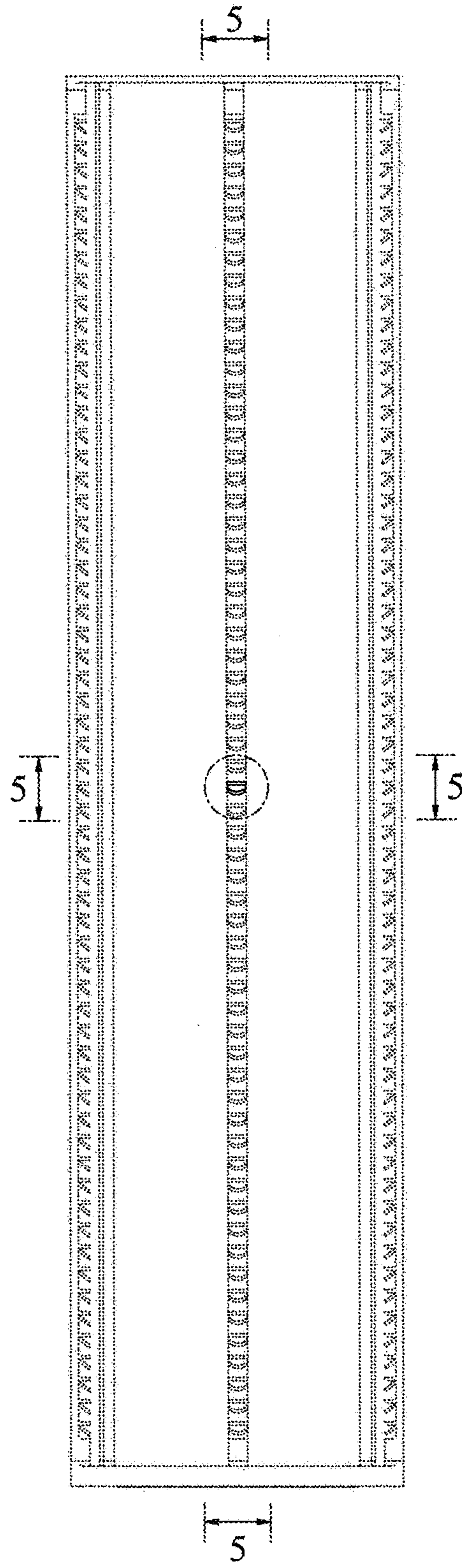


Fig. 4

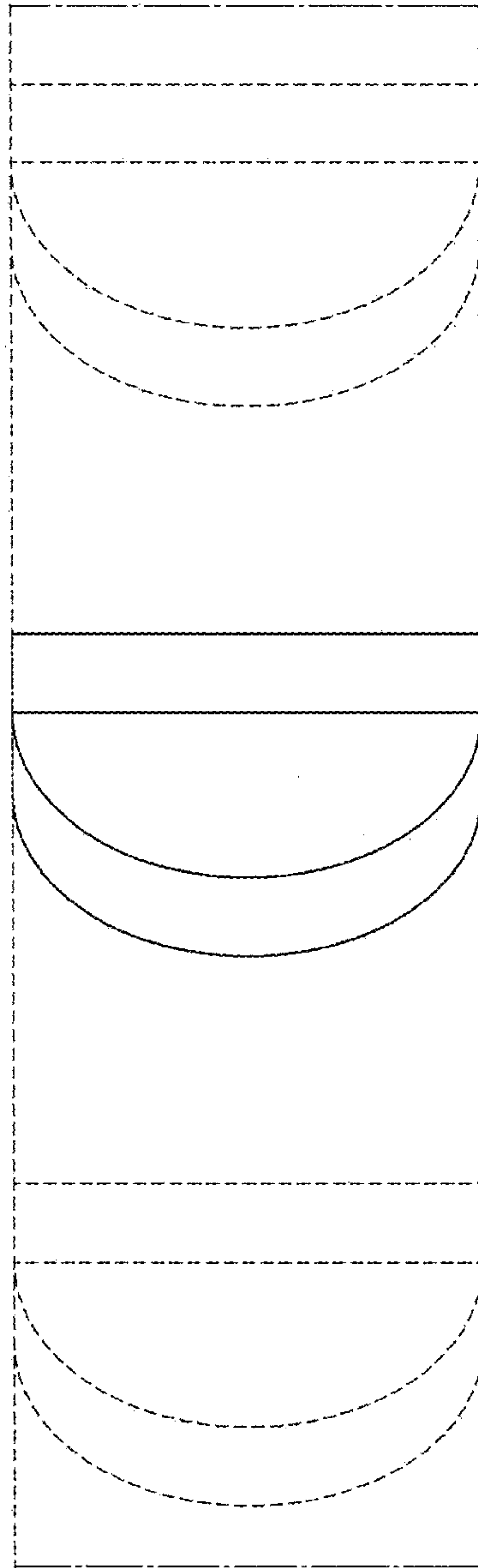


Fig. 5

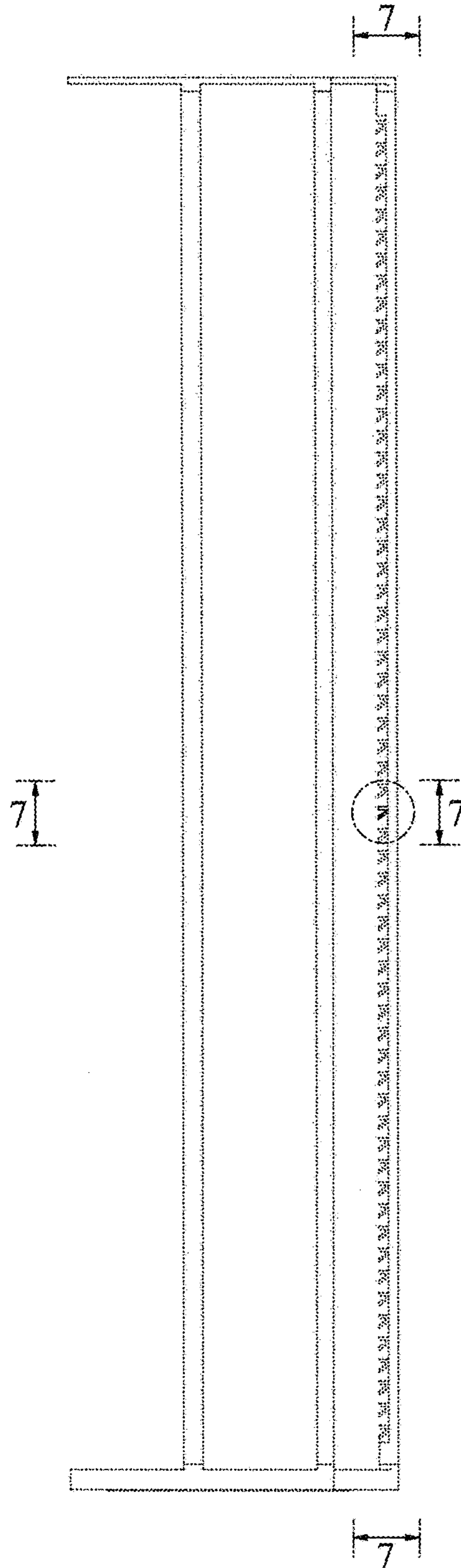


Fig. 6

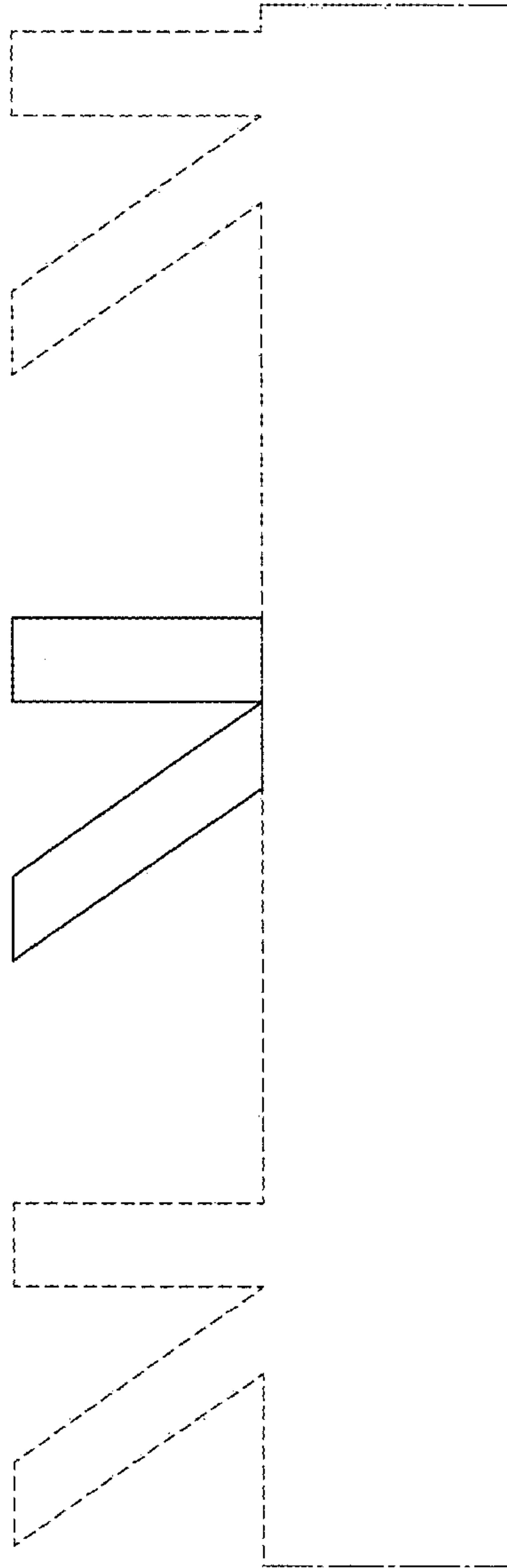


Fig. 7

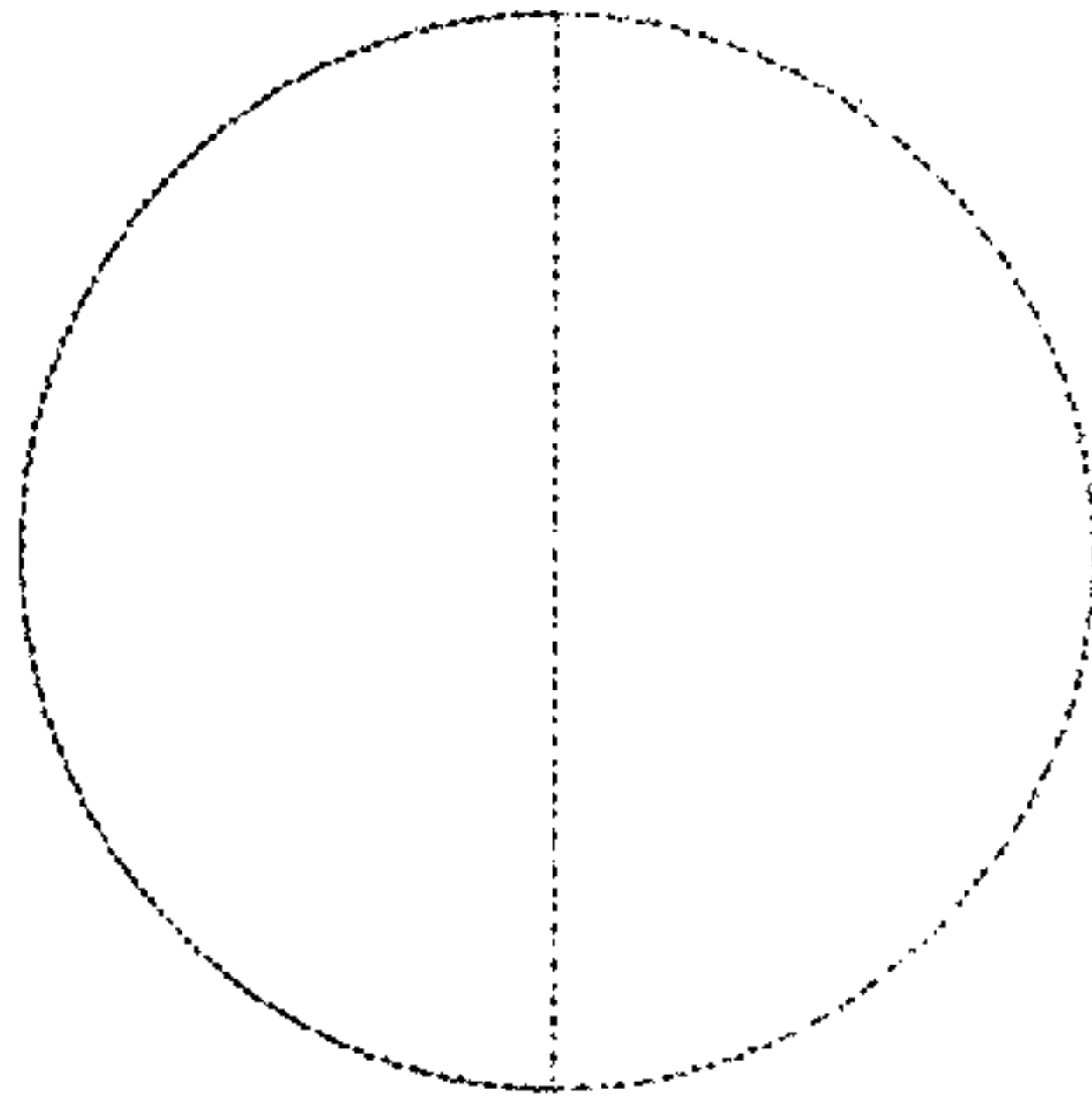


Fig. 8

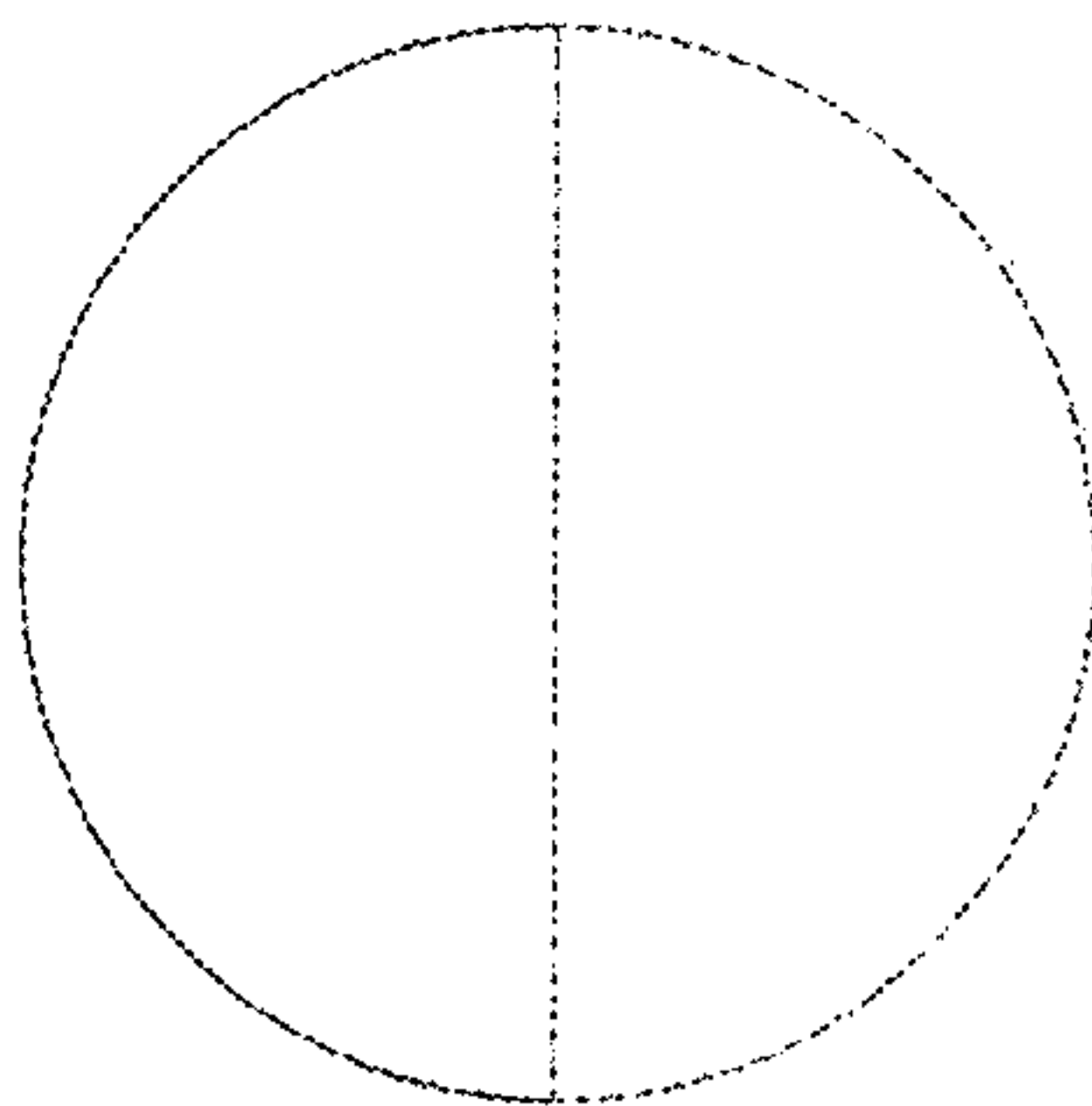


Fig. 9