



US00D789309S

(12) **United States Design Patent** (10) **Patent No.:** **US D789,309 S**  
**Akiyama et al.** (45) **Date of Patent:** **\*\* Jun. 13, 2017**

(54) **LIGHT-EMITTING DIODE**

(56) **References Cited**

(71) Applicants: **CITIZEN ELECTRONICS CO., LTD.**, Yamanashi-ken (JP); **CITIZEN WATCH CO., LTD.**, Tokyo (JP)

U.S. PATENT DOCUMENTS

(72) Inventors: **Takashi Akiyama**, Saitama-ken (JP); **Shigehisa Watanabe**, Yamanashi-ken (JP); **Yuki Ochiai**, Yamanashi-ken (JP)

D618,635 S	6/2010	Imai	
D658,603 S	5/2012	Egawa	
D660,812 S	5/2012	Sasano	
D669,041 S	10/2012	Imai	
D683,708 S	6/2013	Sasano	
D714,236 S	9/2014	Watanabe	
D727,860 S	4/2015	Watanabe	
9,046,226 B2	6/2015	Shimozawa	
9,130,140 B2	9/2015	Tsuchiya	
9,231,023 B2	1/2016	Agatani	
D762,182 S *	7/2016	Akiyama	D13/180
D766,196 S *	9/2016	Akiyama	D13/180
2013/0193462 A1	8/2013	Ishizaki	

(73) Assignees: **CITIZEN ELECTRONICS CO., LTD.**, Yamanashi-Ken (JP); **CITIZEN WATCH CO., LTD.**, Tokyo (JP)

(\*\*) Term: **15 Years**

\* cited by examiner

(21) Appl. No.: **29/569,655**

*Primary Examiner* — Selina Sikder

(22) Filed: **Jun. 29, 2016**

(74) *Attorney, Agent, or Firm* — Wenderoth, Lind & Ponack, L.L.P.

**Related U.S. Application Data**

(57) **CLAIM**

(62) Division of application No. 29/504,423, filed on Oct. 6, 2014, now Pat. No. Des. 766,196.

The ornamental design for a light-emitting diode, as shown and described.

(51) **LOC (10) Cl.** ..... **13-03**

**DESCRIPTION**

(52) **U.S. Cl.**

USPC ..... **D13/180**

(58) **Field of Classification Search**

USPC ..... D13/180; D26/1

CPC ... H01L 25/167; H01L 25/0753; H01L 27/15;

H01L 27/156; H01L 31/02; H01L 33/00;

H01L 33/04; H01L 33/08; H01L 33/10;

H01L 33/20; H01L 33/38; H01L 33/42;

H01L 33/4862; H01L 33/483; H01L

33/486

FIG. 1 is a top perspective view of a light-emitting diode; FIG. 2 is a bottom perspective view thereof; FIG. 3 is a front view thereof, a rear view being identical to FIG. 3; FIG. 4 is a top plan view thereof; FIG. 5 is a bottom plan view thereof; and, FIG. 6 is a left side view thereof, a right side view being identical to FIG. 6.

See application file for complete search history.

**1 Claim, 3 Drawing Sheets**

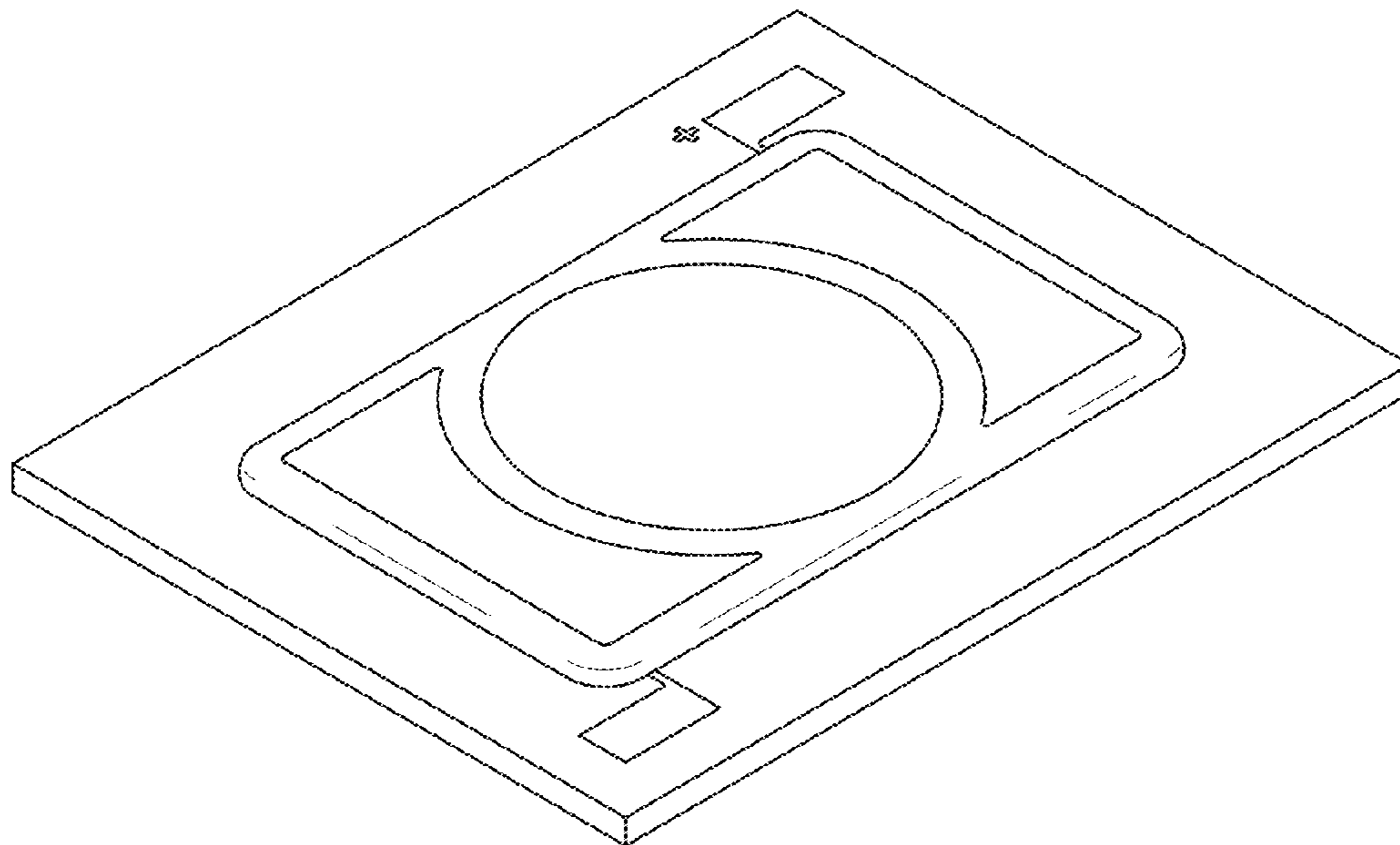


Fig. 1

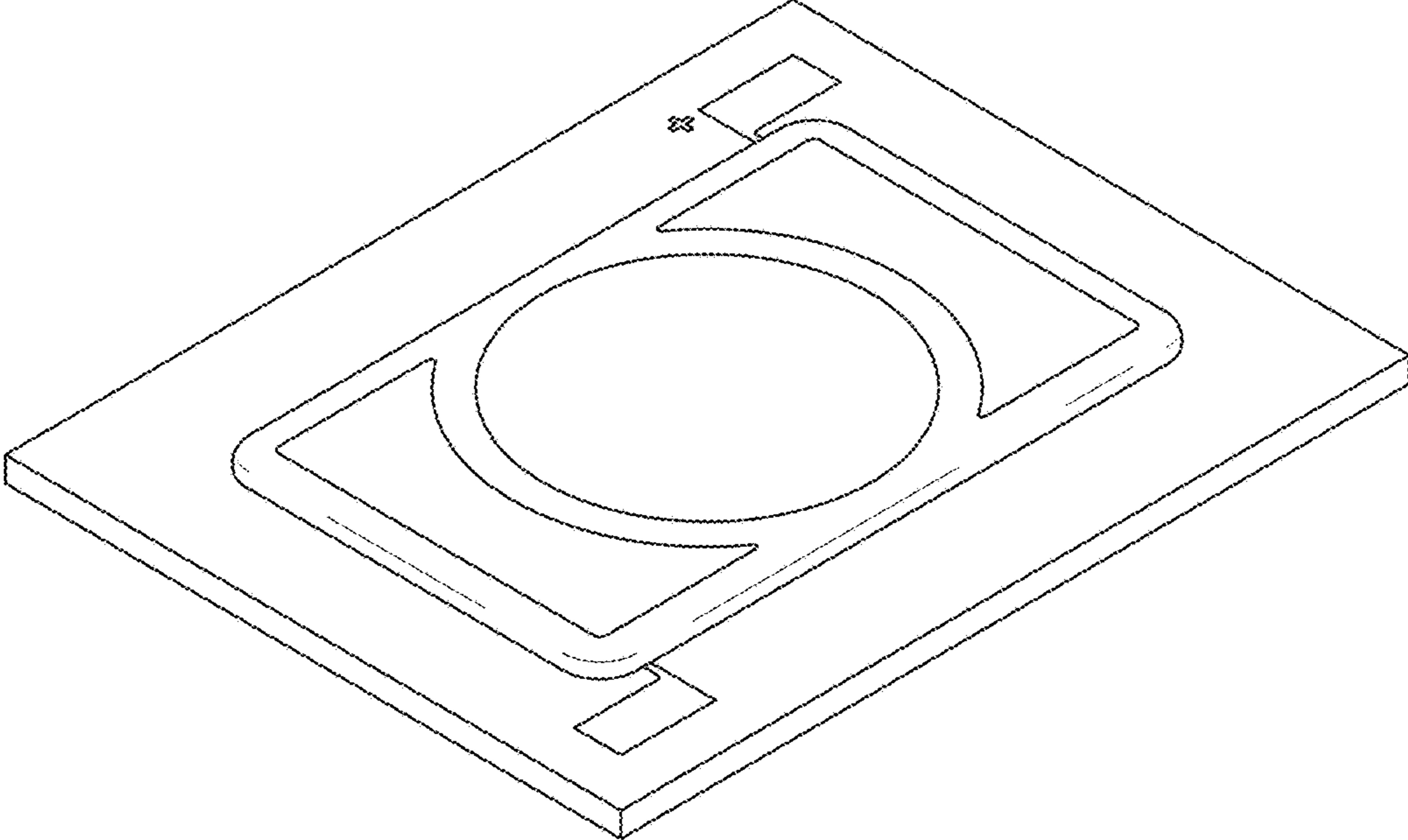


Fig. 2

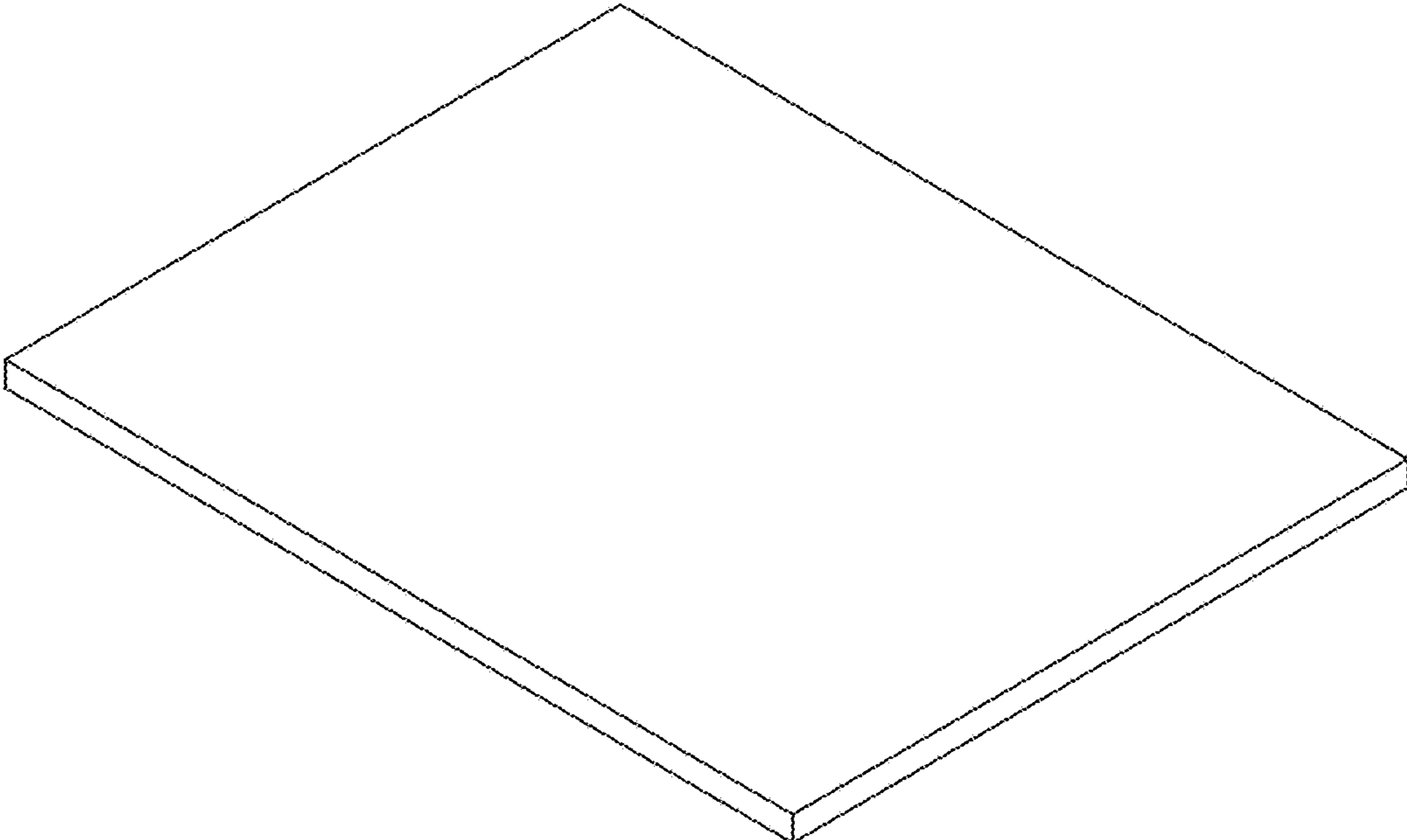


Fig. 3



Fig. 4

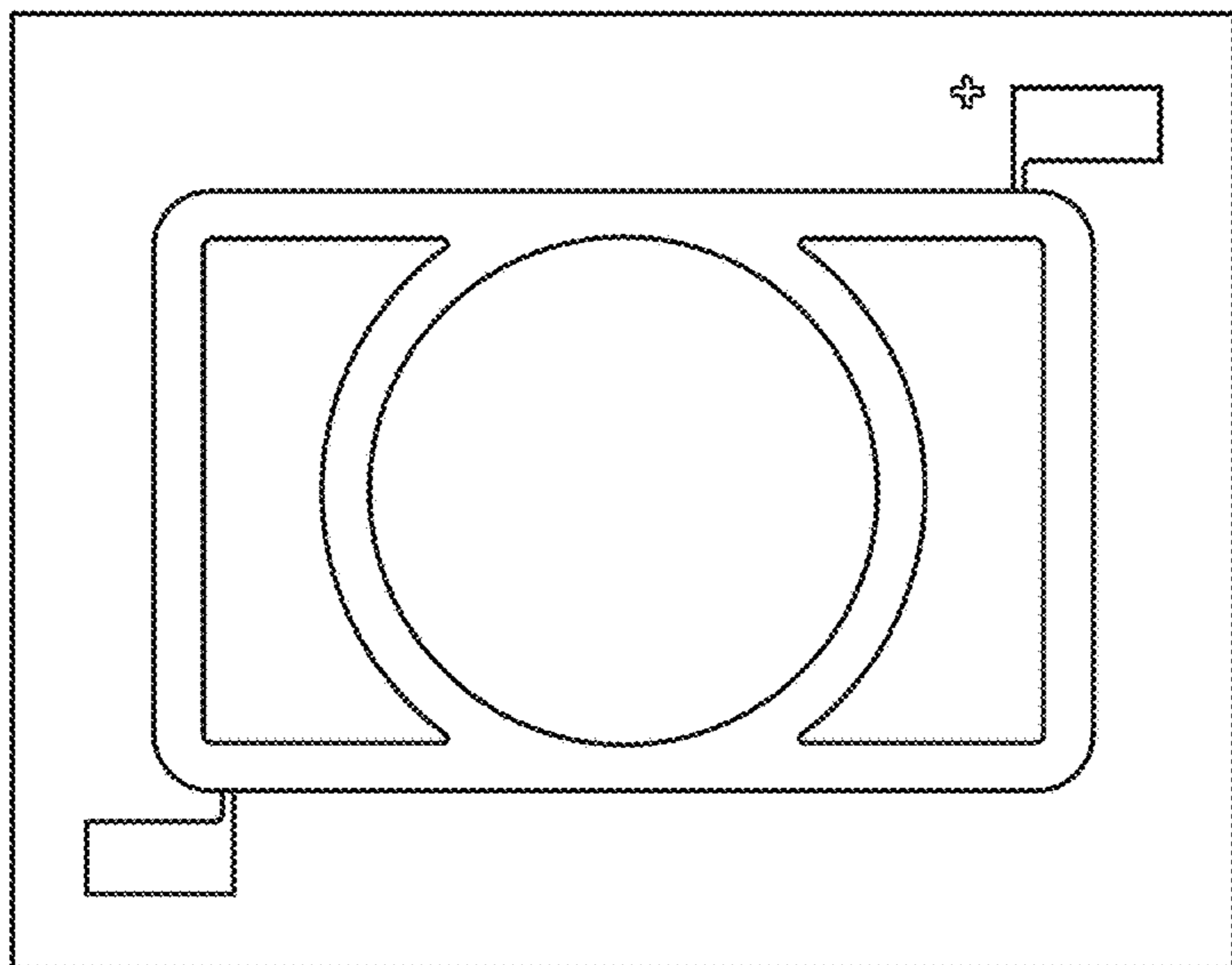


Fig. 5

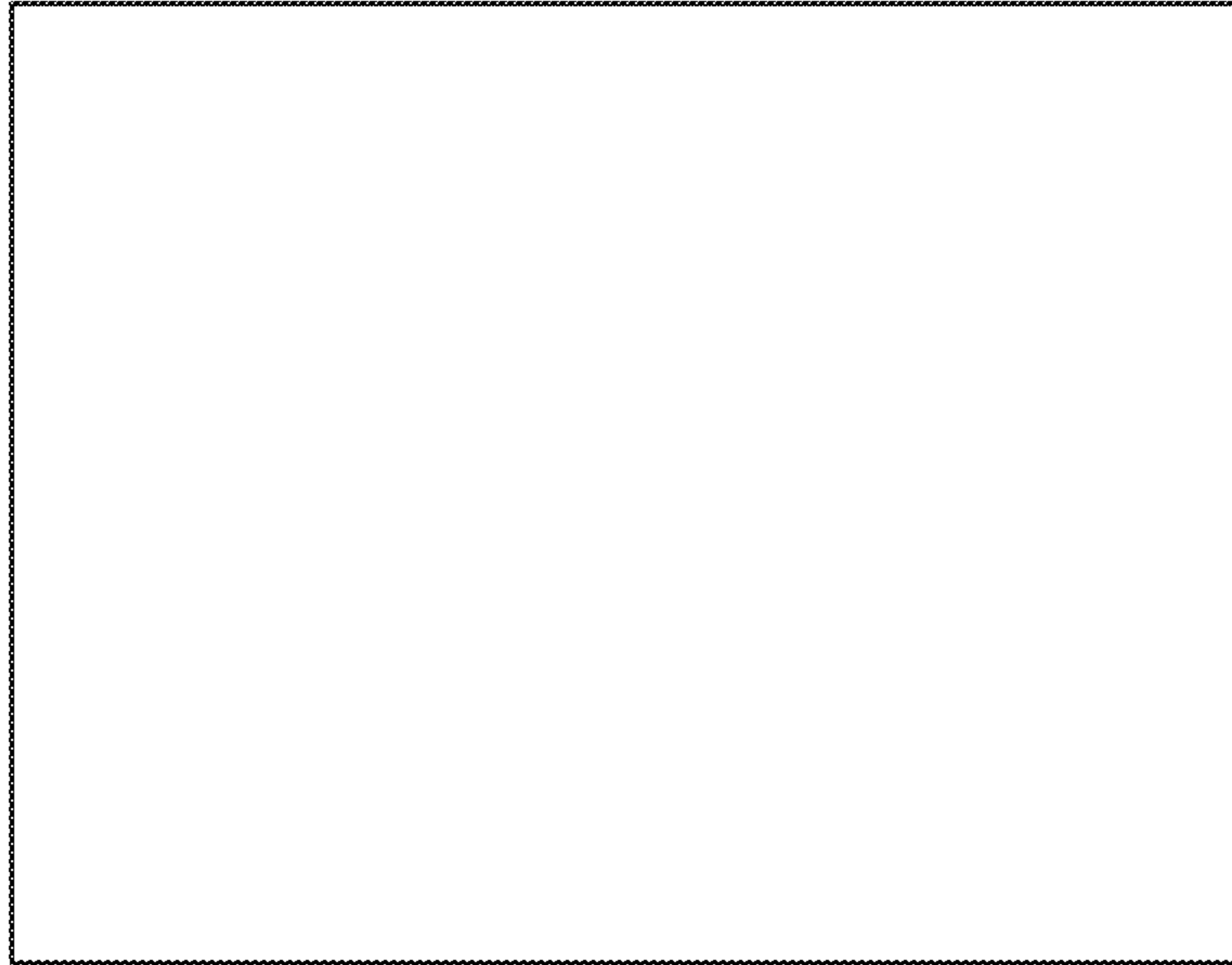


Fig. 6

