



US00D789308S

(12) **United States Design Patent**
Ochiai et al.

(10) **Patent No.:** **US D789,308 S**

(45) **Date of Patent:** **** Jun. 13, 2017**

(54) **LIGHT-EMITTING DIODE**

(71) Applicants: **CITIZEN ELECTRONICS CO., LTD.**, Yamanashi-ken (JP); **CITIZEN WATCH CO., LTD.**, Tokyo (JP)

(72) Inventors: **Yuki Ochiai**, Yamanashi-ken (JP); **Yuki Nishikawa**, Shiga-ken (JP)

(73) Assignees: **CITIZEN ELECTRONICS CO., LTD.**, Yamanashi-Ken (JP); **CITIZEN WATCH CO., LTD.**, Tokyo (JP)

(**) Term: **15 Years**

(21) Appl. No.: **29/561,823**

(22) Filed: **Apr. 20, 2016**

(30) **Foreign Application Priority Data**

Oct. 23, 2015 (JP) D2015-023530

Oct. 23, 2015 (JP) D2015-023540

(Continued)

(51) **LOC (10) Cl.** **13-03**

(52) **U.S. Cl.**
USPC **D13/180**

(58) **Field of Classification Search**
USPC D13/180; D26/1

(Continued)

(56) **References Cited**

U.S. PATENT DOCUMENTS

D618,635 S * 6/2010 Imai D13/180

D658,603 S * 5/2012 Egawa D13/180

(Continued)

FOREIGN PATENT DOCUMENTS

EP 002551812-0001 10/2014

EP 002551812-0002 10/2014

(Continued)

OTHER PUBLICATIONS

Design U.S. Appl. No. 29/504,427, filed Oct. 6, 2014.

Design U.S. Appl. No. 29/504,423, filed Oct. 6, 2014.

Primary Examiner — Selina Sikder

(74) *Attorney, Agent, or Firm* — Wenderoth, Lind & Ponack, L.L.P.

(57) **CLAIM**

The ornamental design for a light-emitting diode, as shown and described.

DESCRIPTION

FIG. 1 is a top perspective view of a first embodiment of a light-emitting diode showing an upper surface with front and left side surfaces;

FIG. 2 is a bottom perspective view thereof showing a bottom surface with rear and right side surfaces;

FIG. 3 is a front view thereof, a rear view being a mirror image of FIG. 3;

FIG. 4 is a top plan view thereof;

FIG. 5 is a bottom plan view thereof;

FIG. 6 is a left side view thereof;

FIG. 7 is a right side view thereof;

FIG. 8 is a top perspective view of a second embodiment of a light-emitting diode showing an upper surface with front and left side surfaces;

FIG. 9 is a bottom perspective view thereof showing a bottom surface with rear and right side surfaces;

FIG. 10 is a front view thereof, a rear view being a mirror image of FIG. 10;

FIG. 11 is a top plan view thereof;

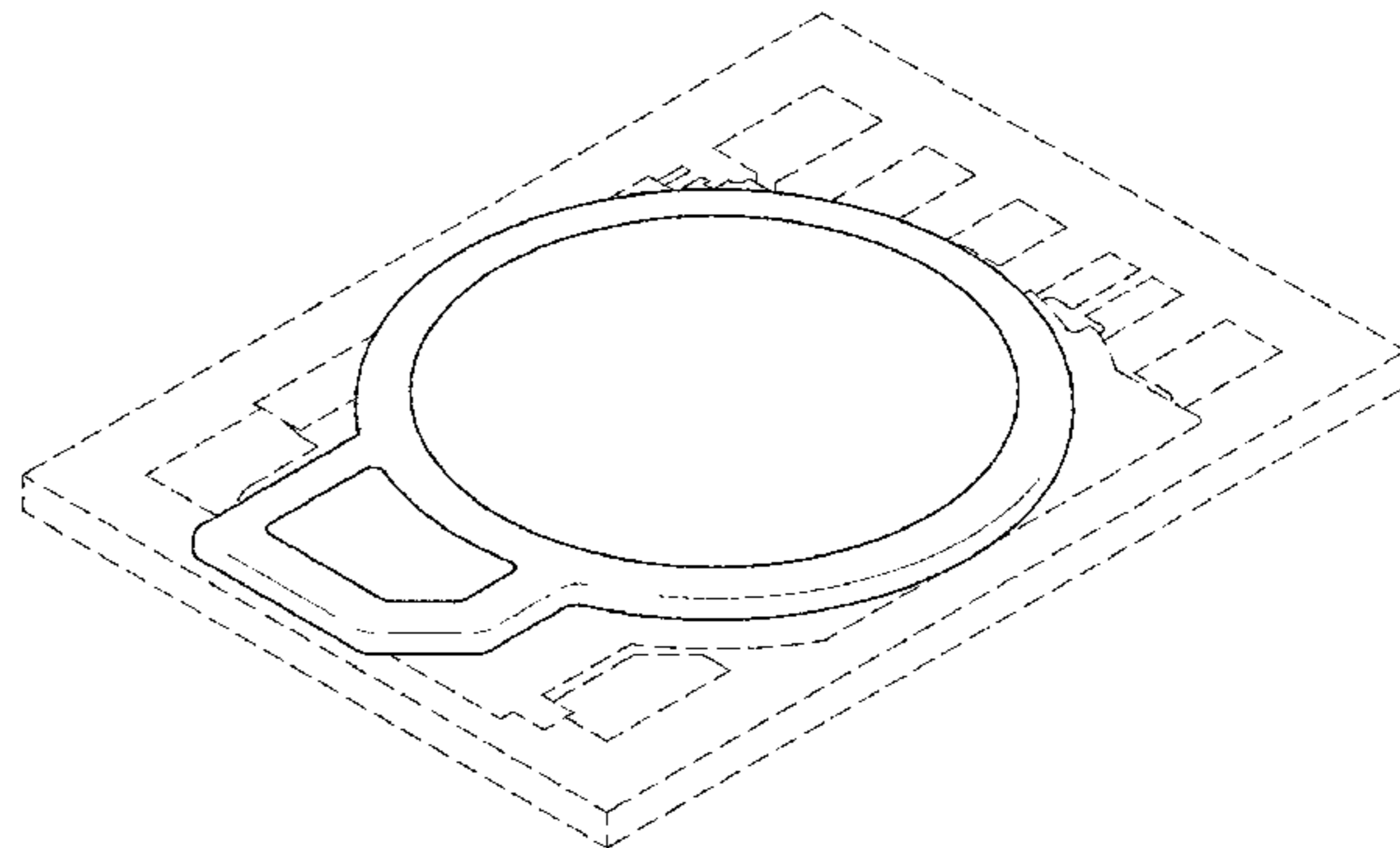
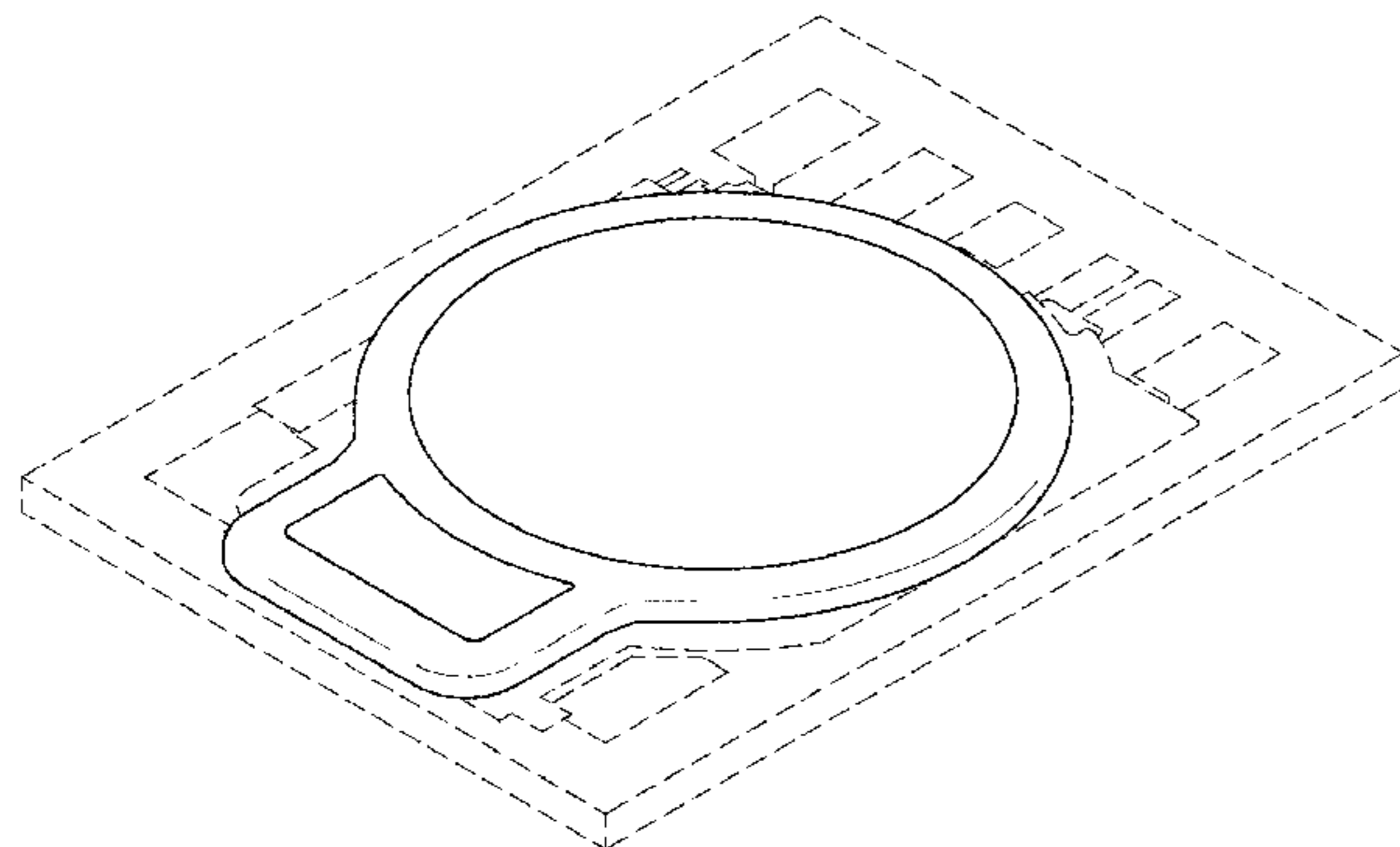
FIG. 12 is a bottom plan view thereof;

FIG. 13 is a left side view thereof; and,

FIG. 14 is a right side view thereof.

The broken lines shown herein are for illustrative purposes only and form no part of the claimed design.

1 Claim, 6 Drawing Sheets



(30) **Foreign Application Priority Data**

Oct. 23, 2015 (JP) D2015-023541
 Oct. 23, 2015 (JP) D2015-023542

(58) **Field of Classification Search**

CPC ... H01L 25/167; H01L 25/0753; H01L 27/15;
 H01L 27/156; H01L 31/02; H01L 33/00;
 H01L 33/04; H01L 33/08; H01L 33/10;
 H01L 33/20; H01L 33/38; H01L 33/42;
 H01L 33/4862; H01L 33/483; H01L
 33/486

See application file for complete search history.

(56) **References Cited**

U.S. PATENT DOCUMENTS

D669,041 S * 10/2012 Imai D13/180
 D683,708 S * 6/2013 Sasano D13/180
 D714,236 S 9/2014 Watanabe et al.
 D727,860 S 4/2015 Watanabe et al.
 9,046,226 B2 * 6/2015 Shimosawa F21K 9/56
 9,059,376 B2 * 6/2015 Chou H01L 25/0753
 9,130,140 B2 * 9/2015 Tsuchiya H01L 33/641
 D762,182 S * 7/2016 Akiyama D13/180

D766,196 S * 9/2016 Akiyama D13/180
 2011/0084297 A1 * 4/2011 Ogata B29C 33/0016
 257/98
 2012/0106155 A1 * 5/2012 Hata F21V 11/06
 362/249.02
 2013/0193462 A1 * 8/2013 Ishizaki F21V 3/00
 257/88
 2014/0268783 A1 * 9/2014 Agatani H01L 25/0753
 362/249.06

FOREIGN PATENT DOCUMENTS

EP	002551812-0003	10/2014
EP	002551812-0004	10/2014
EP	002551812-0005	10/2014
EP	002551812-0006	10/2014
EP	002551812-0007	10/2014
EP	002551812-0008	10/2014
JP	D1465336	3/2013
JP	D1465337	3/2013
JP	D1465486	3/2013
JP	D1481437	10/2013
JP	D1532207	8/2015
JP	D1536637	11/2015
JP	D1536638	11/2015

* cited by examiner

Fig. 1

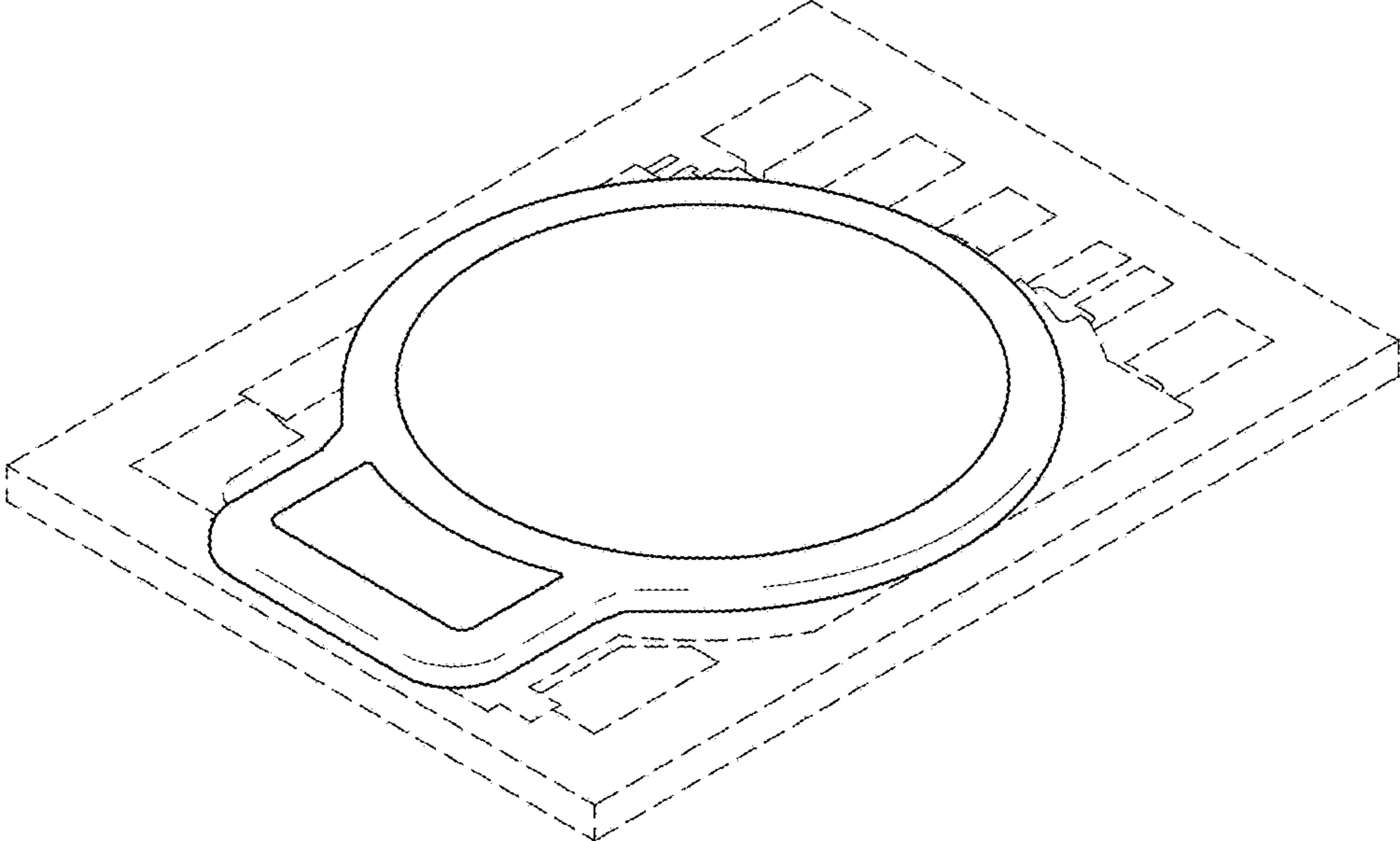


Fig. 2

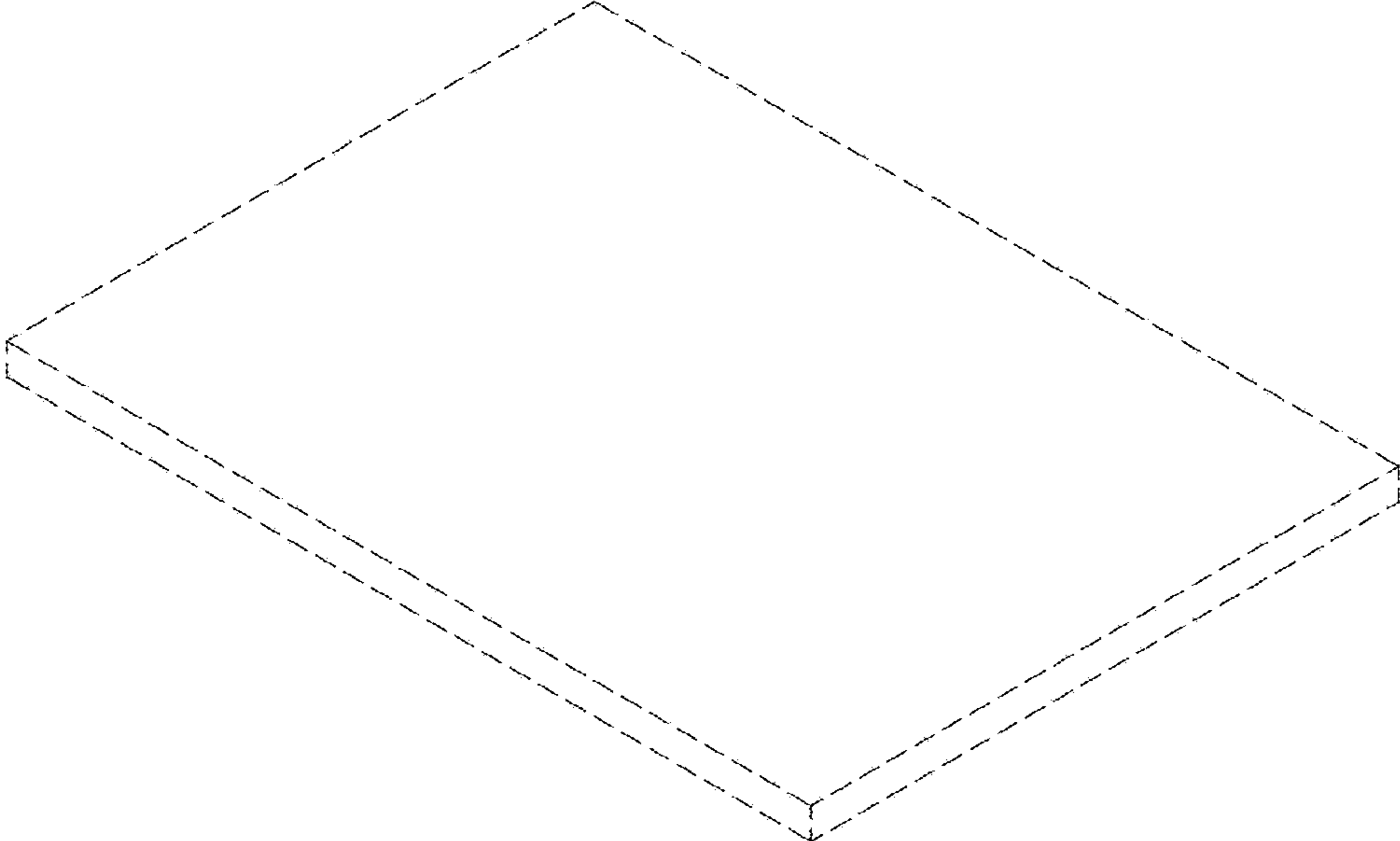


Fig. 3

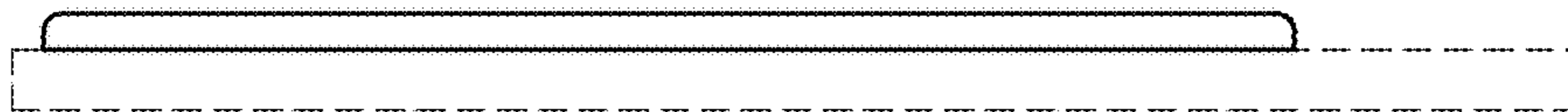


Fig. 4

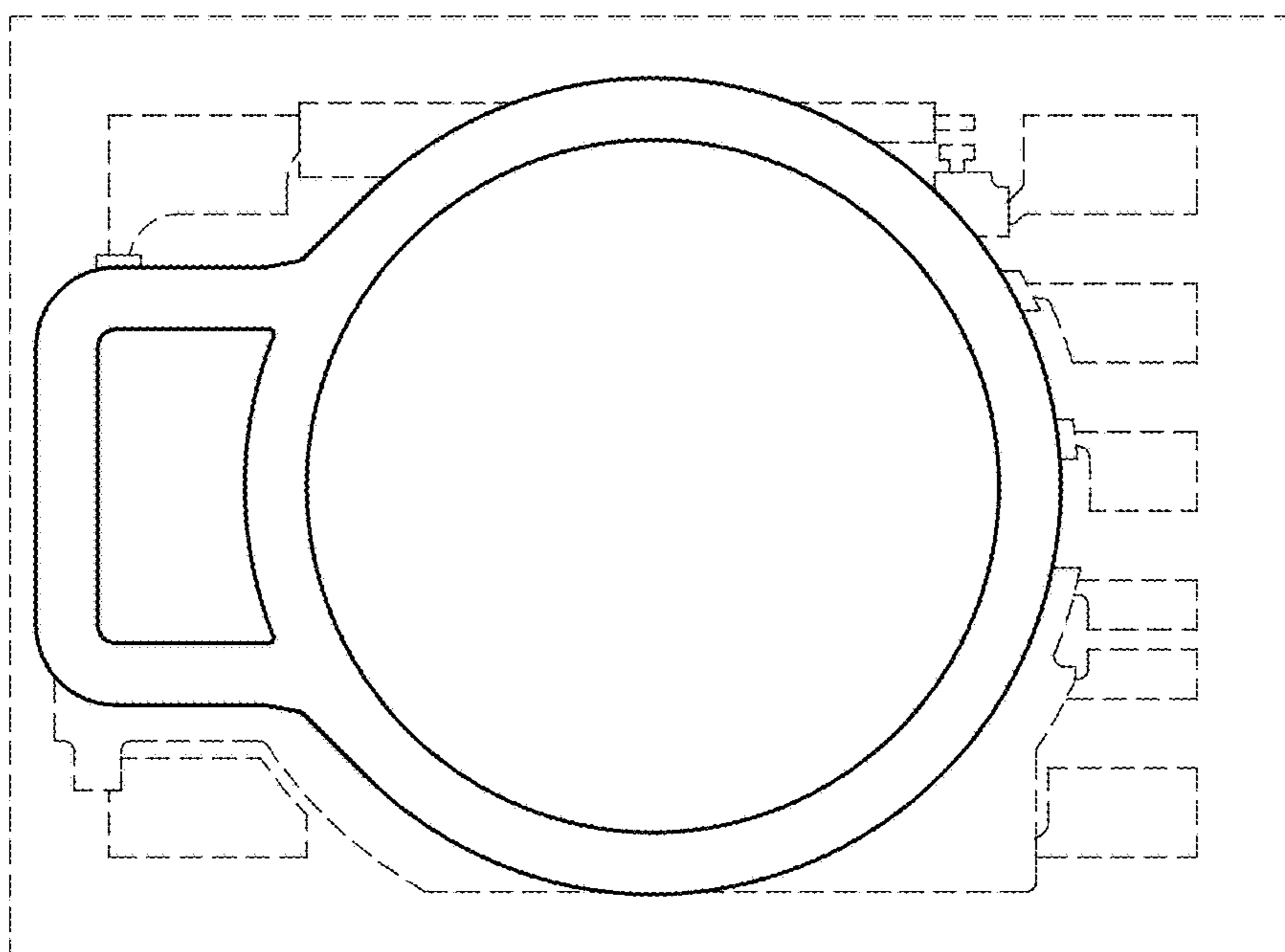


Fig. 5



Fig. 6

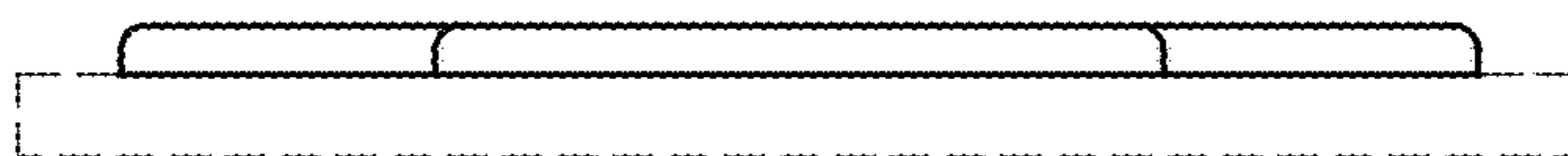


Fig. 7

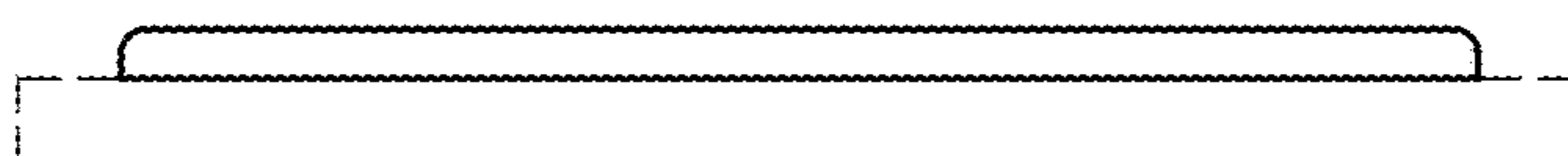


Fig. 8

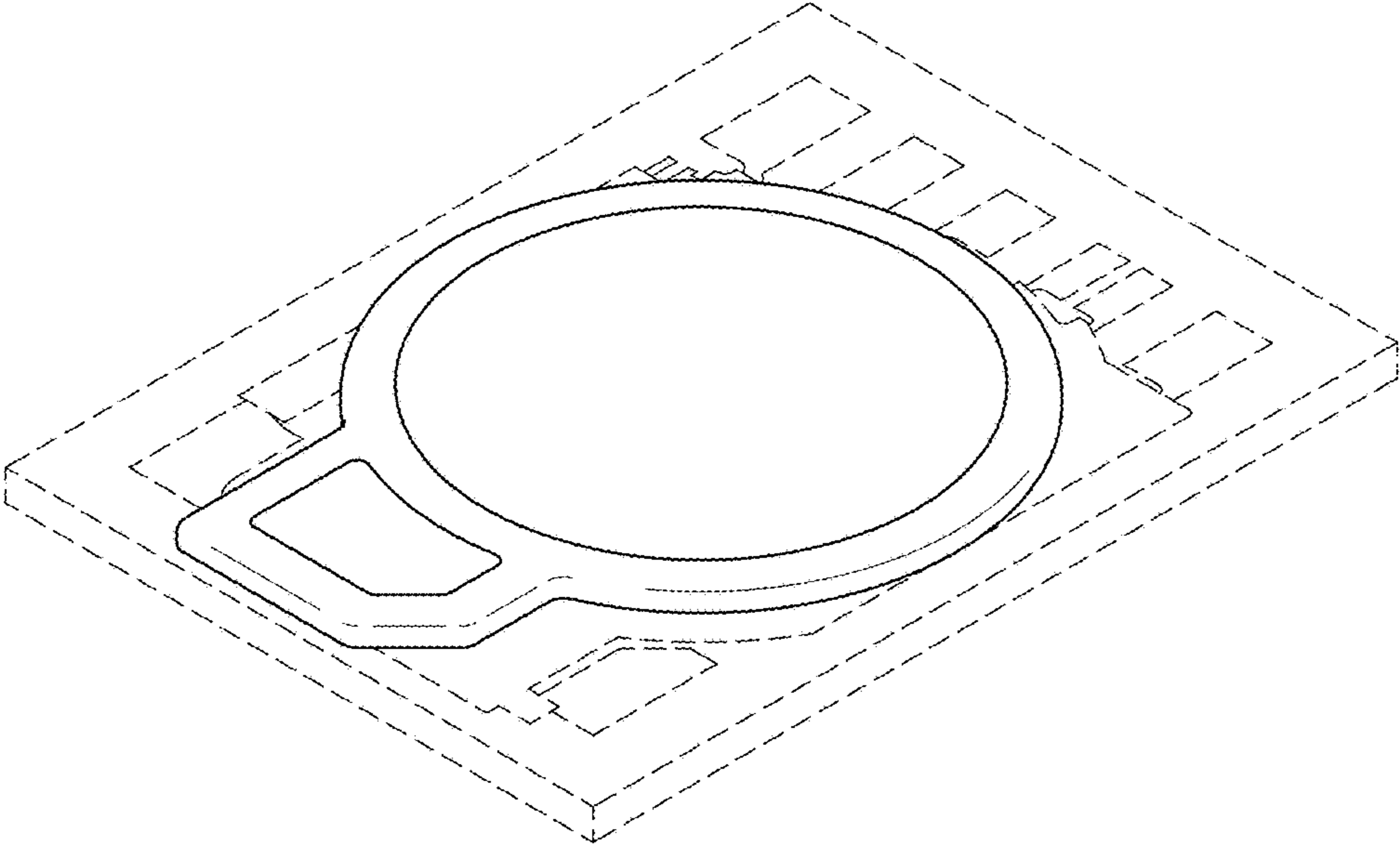


Fig. 9

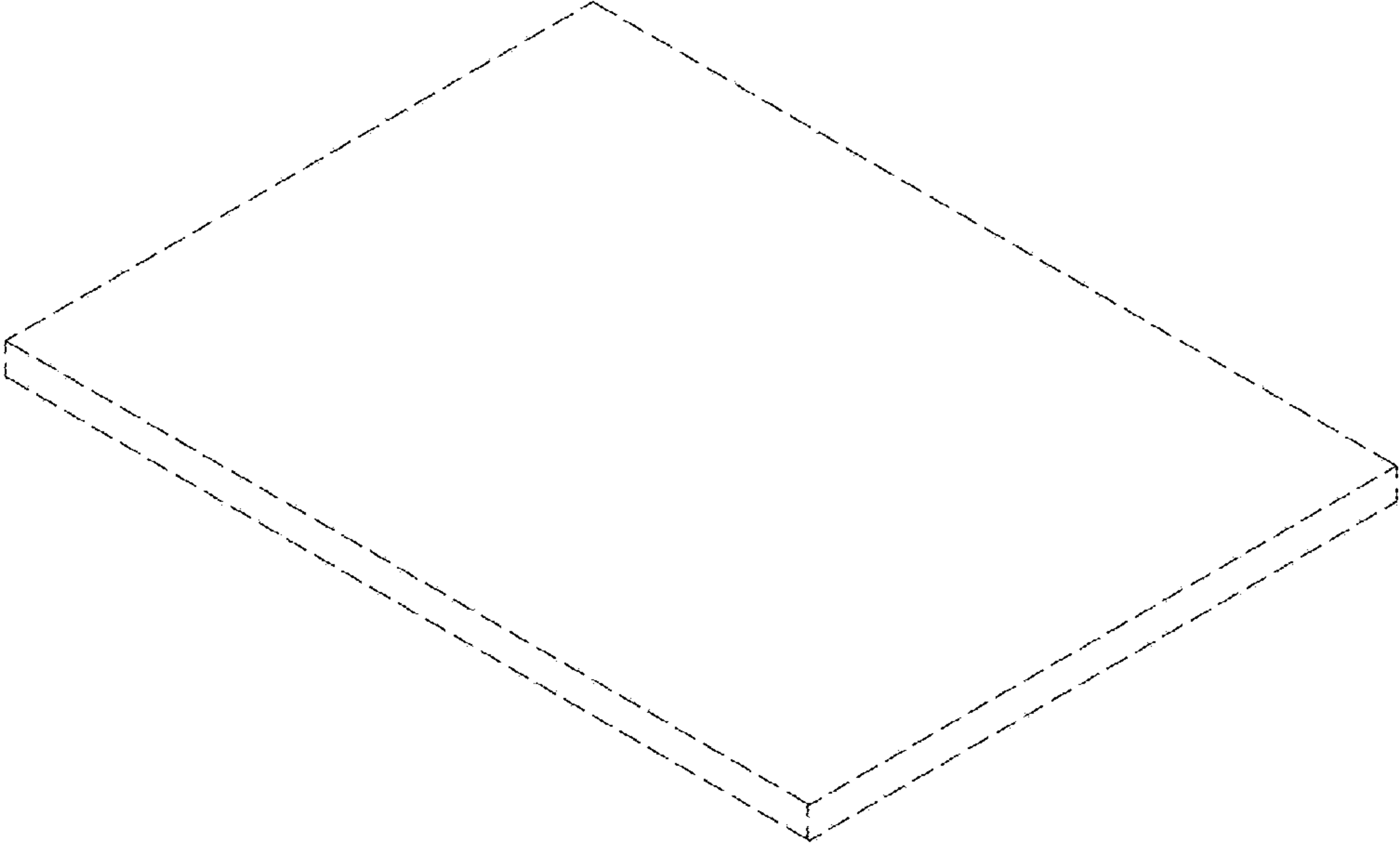


Fig. 10

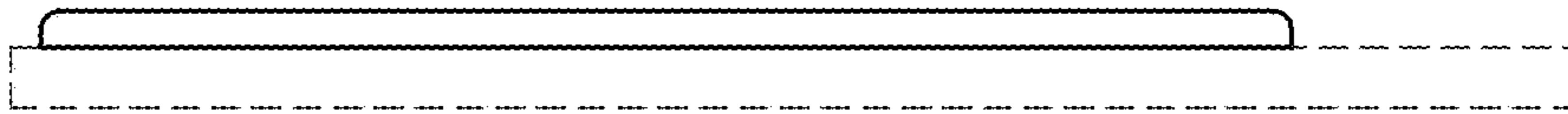


Fig. 11

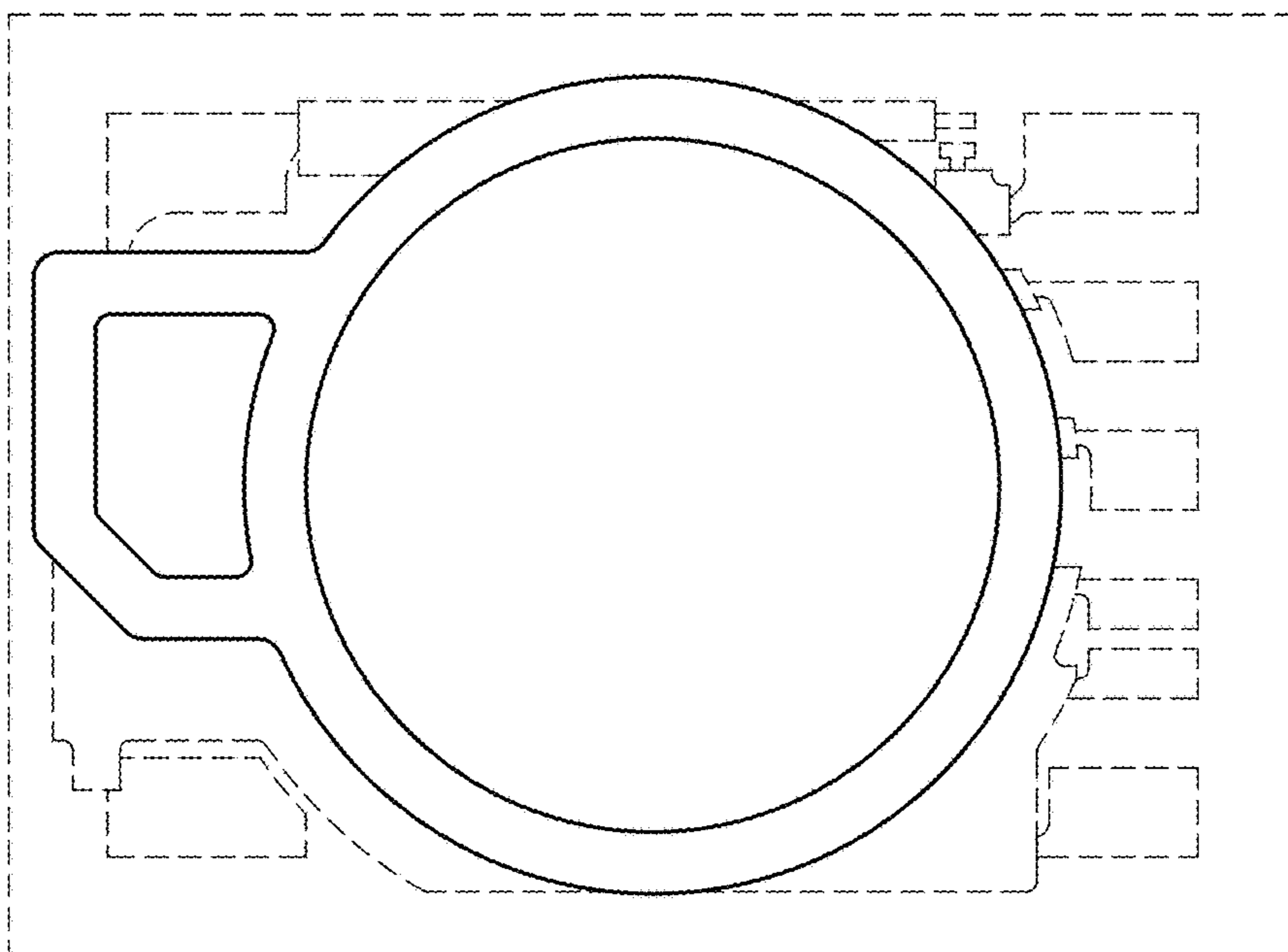


Fig. 12



Fig. 13

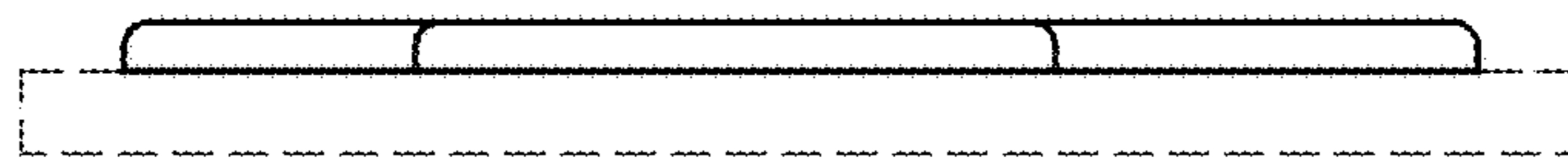


Fig. 14

