



US00D789307S

(12) **United States Design Patent**
Amano

(10) **Patent No.:** **US D789,307 S**
(45) **Date of Patent:** **** Jun. 13, 2017**

(54) **SWITCH**
(71) Applicants: **CITIZEN ELECTRONICS CO., LTD.**, Yamanashi-ken (JP); **CITIZEN WATCH CO., LTD.**, Tokyo (JP)
(72) Inventor: **Kaori Amano**, Yamanashi-ken (JP)
(73) Assignees: **CITIZEN ELECTRONICS CO., LTD.**, Yamanashi-Ken (JP); **CITIZEN WATCH CO., LTD.**, Tokyo (JP)

7,075,020 B2 * 7/2006 Asada H01H 13/48
200/1 B
7,557,320 B1 * 7/2009 Crooijmans H01H 13/85
200/406
D680,503 S * 4/2013 Kawashima D13/171
D688,636 S * 8/2013 Oishi D13/171
8,759,704 B2 * 6/2014 Inamoto H01H 13/85
200/406
D714,230 S * 9/2014 Sun D13/171
D719,924 S * 12/2014 Ueno D13/171
D741,819 S * 10/2015 Ueno D13/171
9,406,460 B2 * 8/2016 Nakaoka H01H 13/14
2011/0284357 A1 * 11/2011 Yasunaga H01H 13/85
200/530

(**) Term: **15 Years**

(Continued)

(21) Appl. No.: **29/539,655**

FOREIGN PATENT DOCUMENTS

(22) Filed: **Sep. 16, 2015**

JP D1425373 10/2011
JP D1425595 10/2011

(30) **Foreign Application Priority Data**

Mar. 23, 2015 (JP) D2015-006256
Mar. 23, 2015 (JP) D2015-006264
Mar. 23, 2015 (JP) D2015-006265

Primary Examiner — Selina Sikder

(74) *Attorney, Agent, or Firm* — Wenderoth, Lind & Ponack, L.L.P.

(51) **LOC (10) Cl.** **13-03**
(52) **U.S. Cl.**
USPC **D13/180**

(57) **CLAIM**

The ornamental design for switch, as shown and described.

(58) **Field of Classification Search**
USPC D13/158, 160, 171
CPC H01H 13/02; H01H 13/04; H01H 13/14;
H01H 13/48; H01H 13/50; H01H
13/7006; H01H 13/705; H01H 13/85;
H01H 5/30
See application file for complete search history.

DESCRIPTION

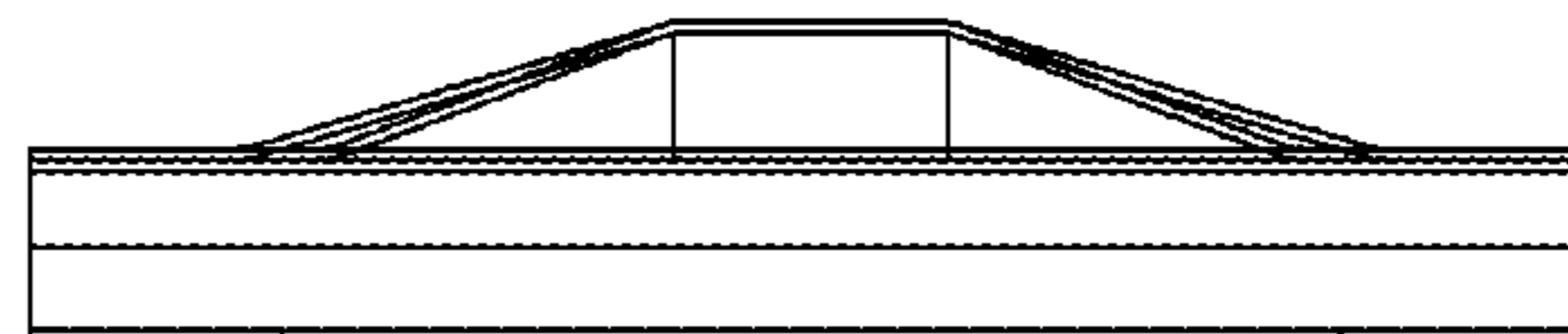
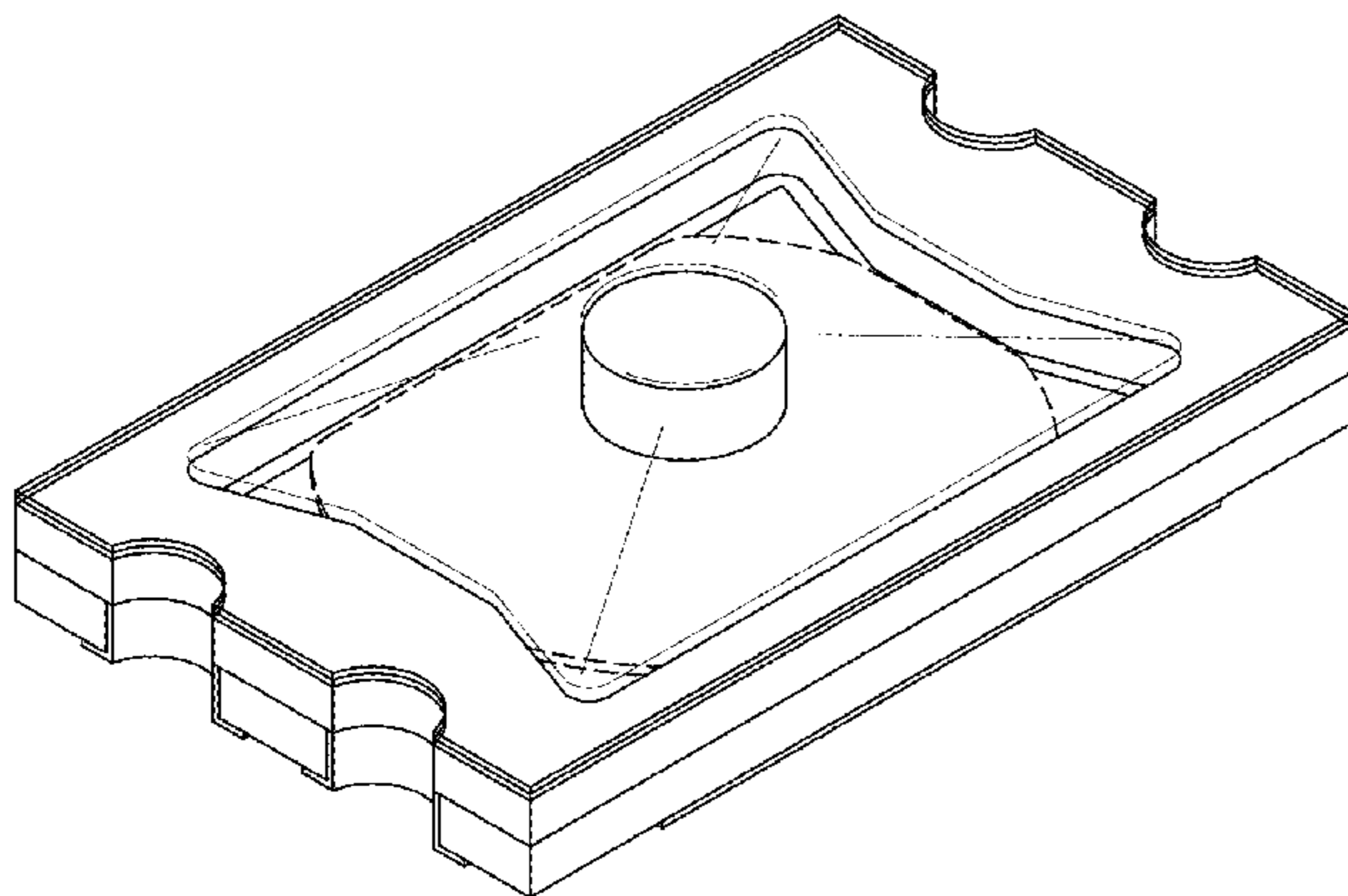
FIG. 1 is a top perspective view of a first embodiment of a switch showing an upper surface with front and left side surfaces;
FIG. 2 is a bottom perspective view thereof showing a bottom surface with rear and right side surfaces;
FIG. 3 is a front view thereof, a rear view being identical to FIG. 3;
FIG. 4 is a top plan view thereof;
FIG. 5 is a bottom plan view thereof; and,
FIG. 6 is a left side view thereof, a right side view being identical to FIG. 6.

The broken lines shown herein are for illustrative purpose only and form no part of the claimed design.

(56) **References Cited**
U.S. PATENT DOCUMENTS

6,646,217 B2 * 11/2003 Omata H01H 5/30
200/406
6,747,218 B2 * 6/2004 Huseman H01H 13/7006
200/1 B

1 Claim, 3 Drawing Sheets



(56)

References Cited

U.S. PATENT DOCUMENTS

2012/0055773 A1* 3/2012 Nakaoka H01H 13/705
200/512
2013/0068599 A1* 3/2013 Kikuchi H01H 13/48
200/341

* cited by examiner

Fig. 1

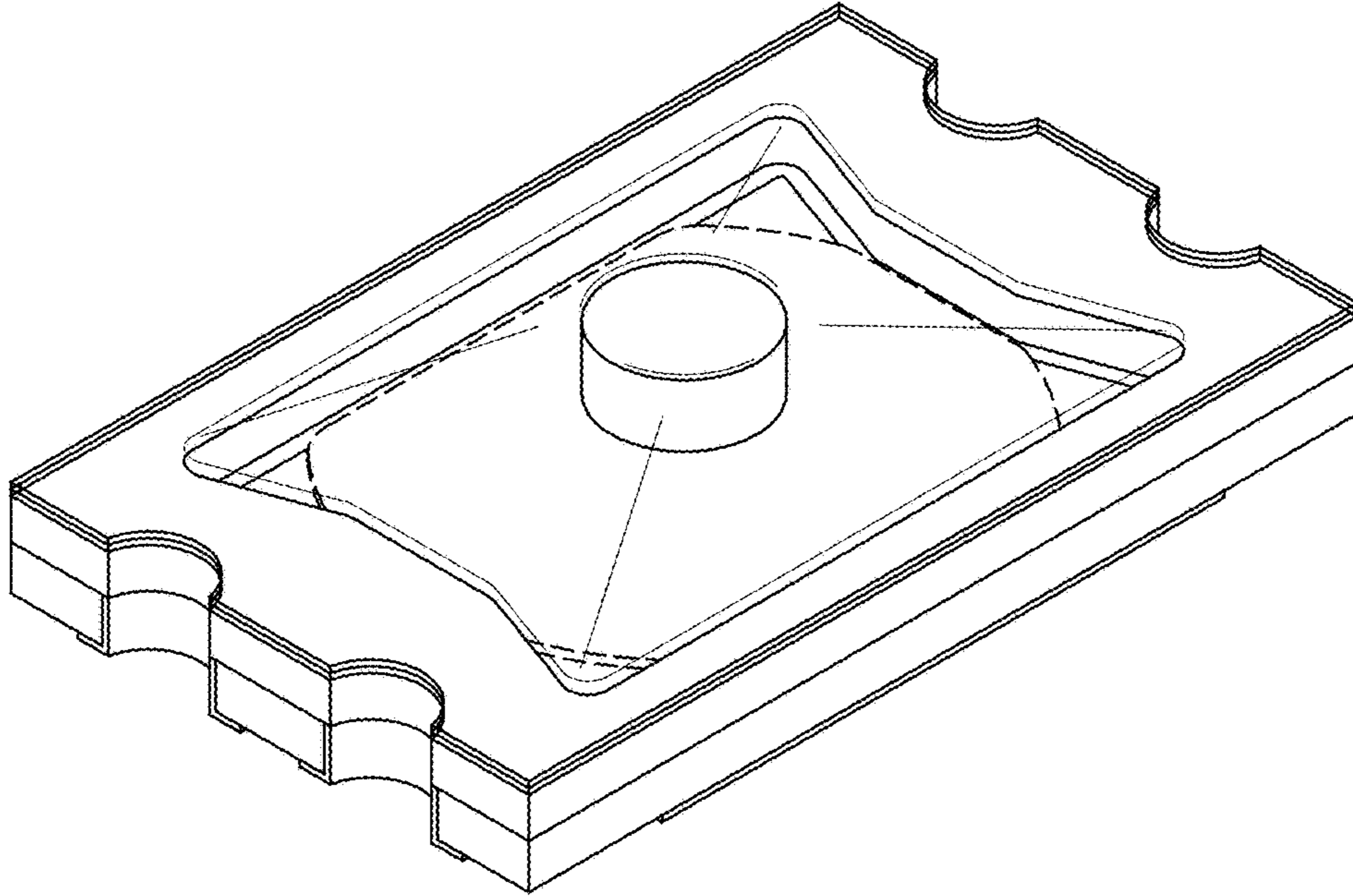


Fig. 2

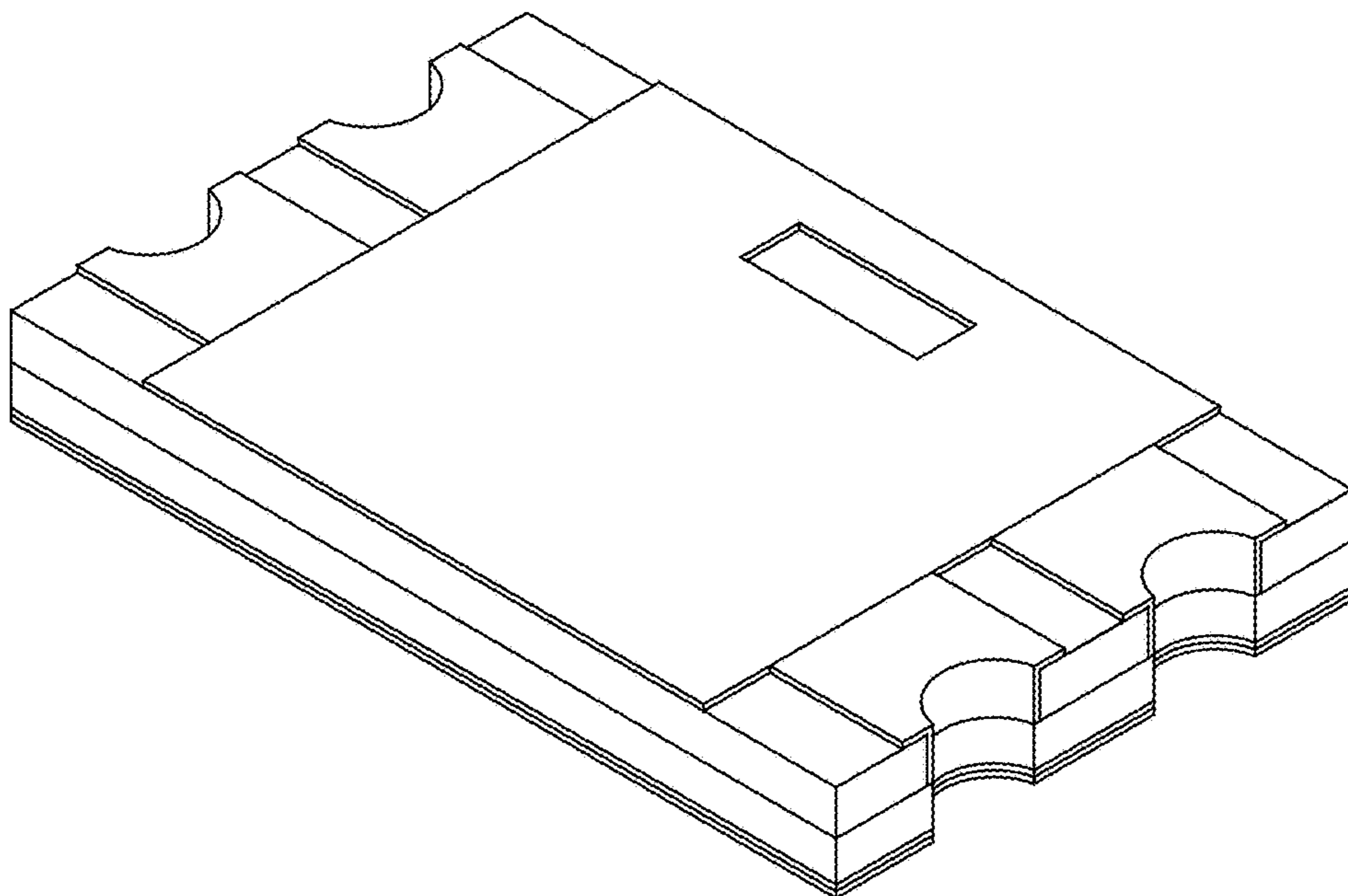


Fig. 3

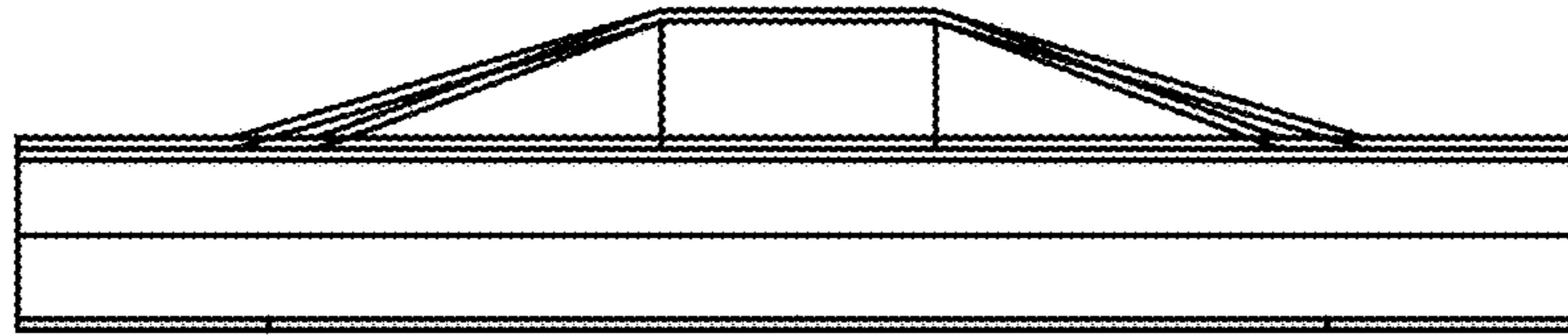


Fig. 4

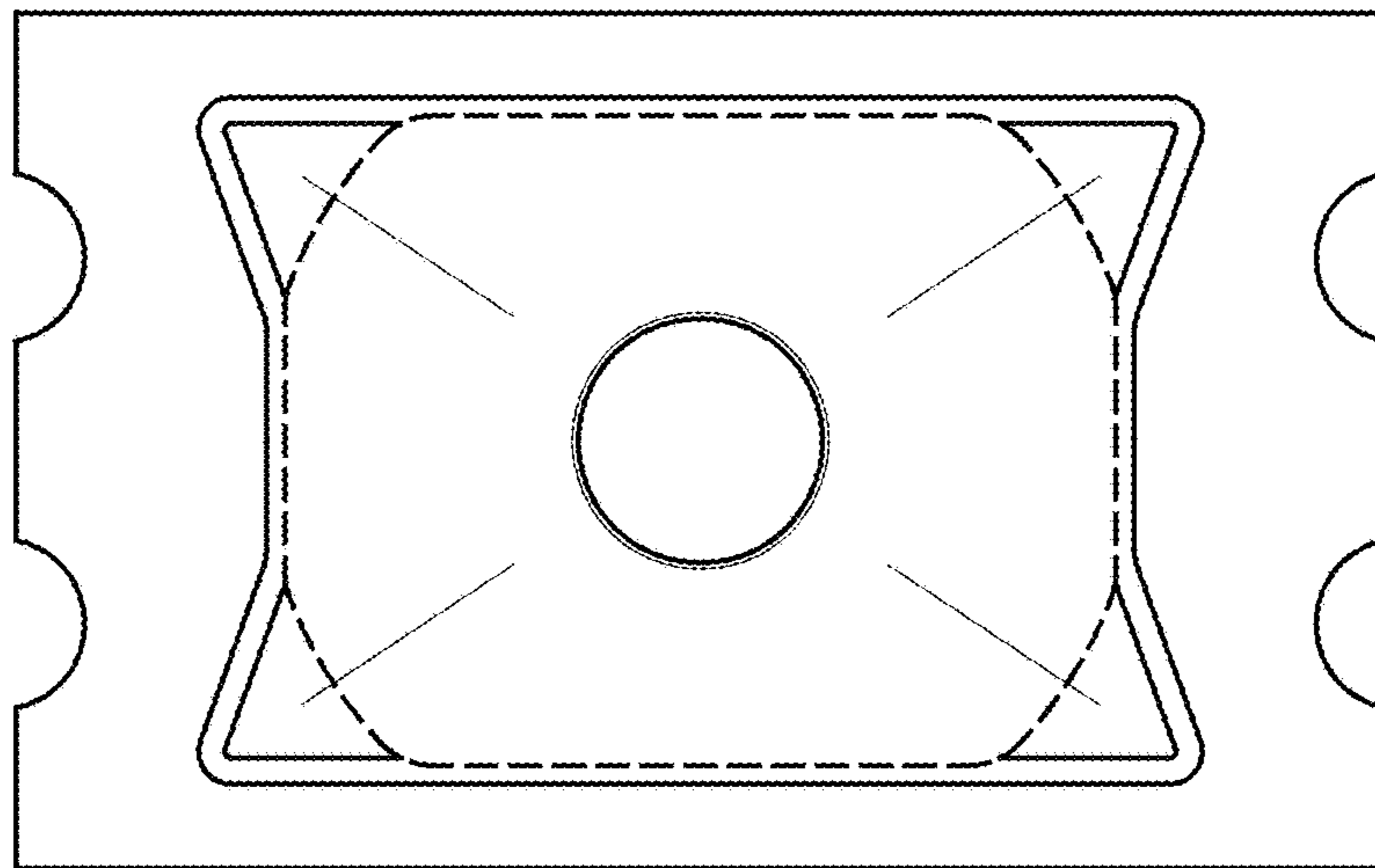


Fig. 5

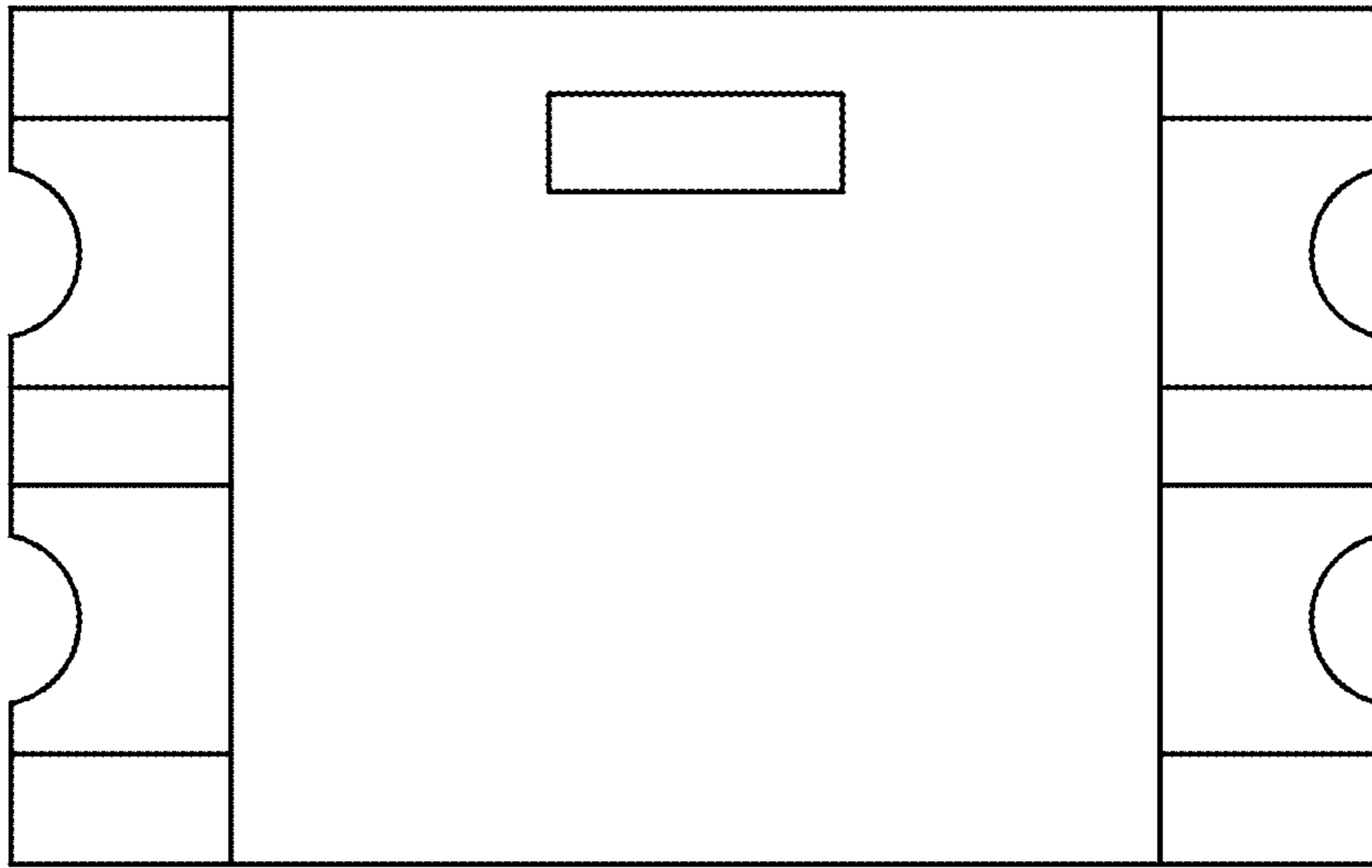


Fig. 6

