



US00D789306S

(12) **United States Design Patent** (10) **Patent No.:** **US D789,306 S**
VanDuyn et al. (45) **Date of Patent:** **** Jun. 13, 2017**

- (54) **WALL SWITCH**
- (71) Applicant: **EchoStar Technologies L.L.C.**,
Englewood, CO (US)
- (72) Inventors: **Luke VanDuyn**, Conifer, CO (US);
Neil T. Marten, Lakewood, CO (US)
- (73) Assignee: **ECHOSTAR TECHNOLOGIES**
L.L.C., Englewood, CO (US)
- (**) Term: **15 Years**
- (21) Appl. No.: **29/550,320**
- (22) Filed: **Dec. 31, 2015**
- (51) **LOC (10) Cl.** **13-03**
- (52) **U.S. Cl.**
USPC **D13/169**
- (58) **Field of Classification Search**
USPC D13/162, 169, 171, 174
CPC H01H 9/02; H01H 9/0271; H01H 9/16;
H01H 9/18; H01H 9/161; H01H 9/181;
H01H 9/182; H01H 13/04; H01H 13/14;
H01H 13/20; H01H 13/30; H01H 19/635;
H01H 23/00; H01H 23/02; H01H 23/025;
H01H 23/04; H01H 23/145; H01H
2300/03; H05B 33/0803; H05B 33/0863;
H05B 37/02; H05B 37/0254; H05B
37/0272; H05B 39/02; H05B 39/04;
H05B 39/085; H05B 39/086; H05B
39/088
See application file for complete search history.

- (56) **References Cited**
U.S. PATENT DOCUMENTS
5,895,888 A * 4/1999 Arenas H02G 3/14
174/66
D473,527 S * 4/2003 Wengrower D13/169

- D518,793 S * 4/2006 Hedderich D13/162
- D566,658 S * 4/2008 Mayo D13/162
- D586,762 S * 2/2009 Nichols D13/171
- D587,214 S * 2/2009 Nichols D13/171
- D594,422 S * 6/2009 Nichols D13/162
- D598,868 S * 8/2009 Nishiyama D13/164
- D598,869 S * 8/2009 Nishiyama D13/164
- D624,881 S * 10/2010 Altonen D13/171
- D657,752 S * 4/2012 Krumpe D13/162
- D702,193 S * 4/2014 Feldstein D13/162
- 8,796,567 B2 * 8/2014 Mahle G04F 3/025
200/33 R
- 9,329,607 B2 * 5/2016 Kevelos G05F 1/455
- D775,089 S * 12/2016 Iaconis D13/162
- 2012/0068894 A1 * 3/2012 Feldstein H01Q 1/007
343/702
- 2016/0320892 A1 * 11/2016 McDonald H03K 17/9625

* cited by examiner

Primary Examiner — Selina Sikder
(74) *Attorney, Agent, or Firm* — Kilpatrick Townsend & Stockton LLP

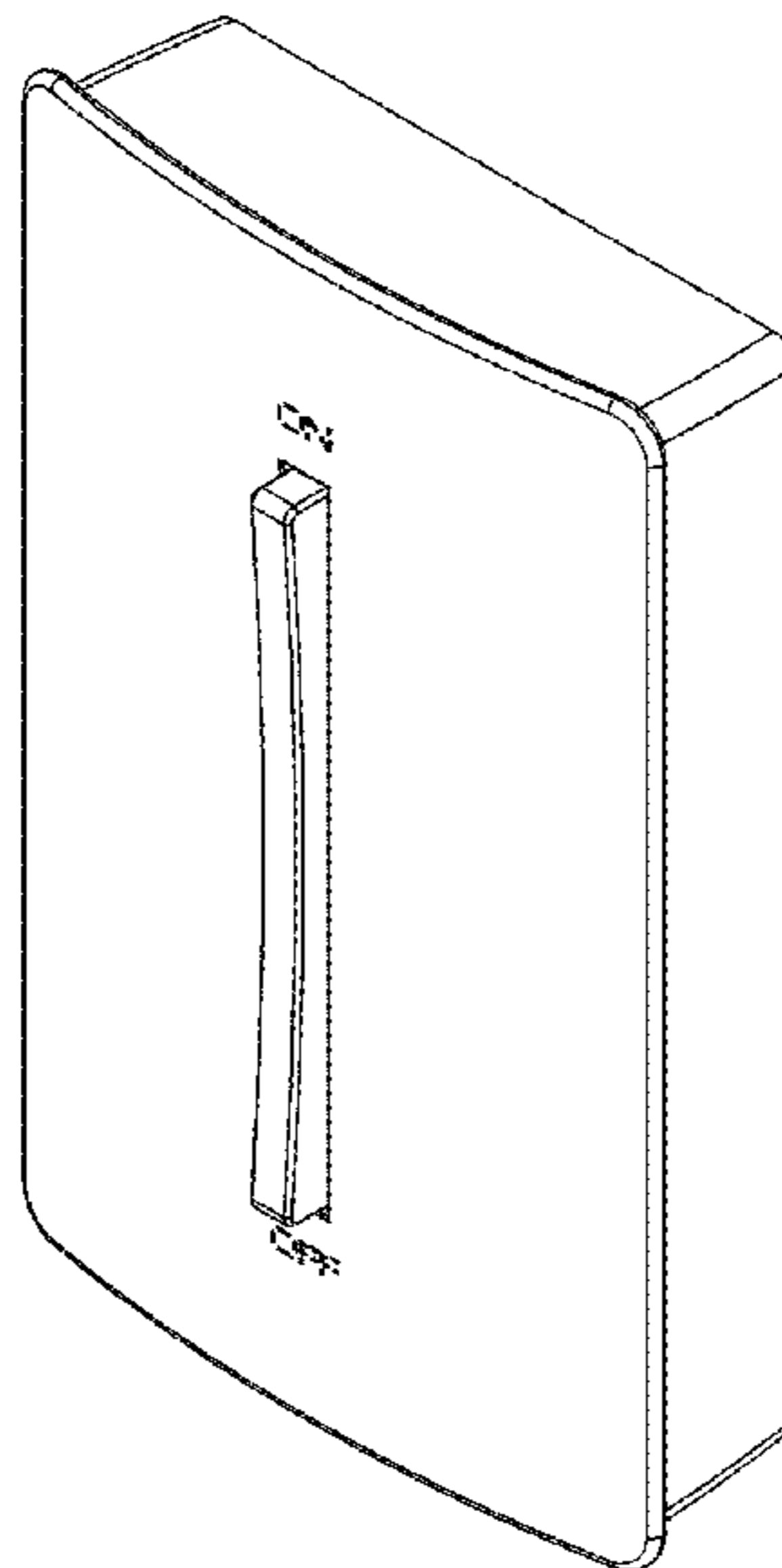
(57) **CLAIM**

I claim the ornamental design for a wall switch, substantially as shown and described.

DESCRIPTION

FIG. 1 is a front view of a wall switch;
FIG. 2 is a right side view thereof;
FIG. 3 is a left side view thereof;
FIG. 4 is a back side view thereof;
FIG. 5 is a top view thereof;
FIG. 6 is a bottom view thereof; and,
FIG. 7 is a perspective view thereof.
The broken lines in the figures are for illustrative purposes only, and form no part of the claimed design.

1 Claim, 7 Drawing Sheets



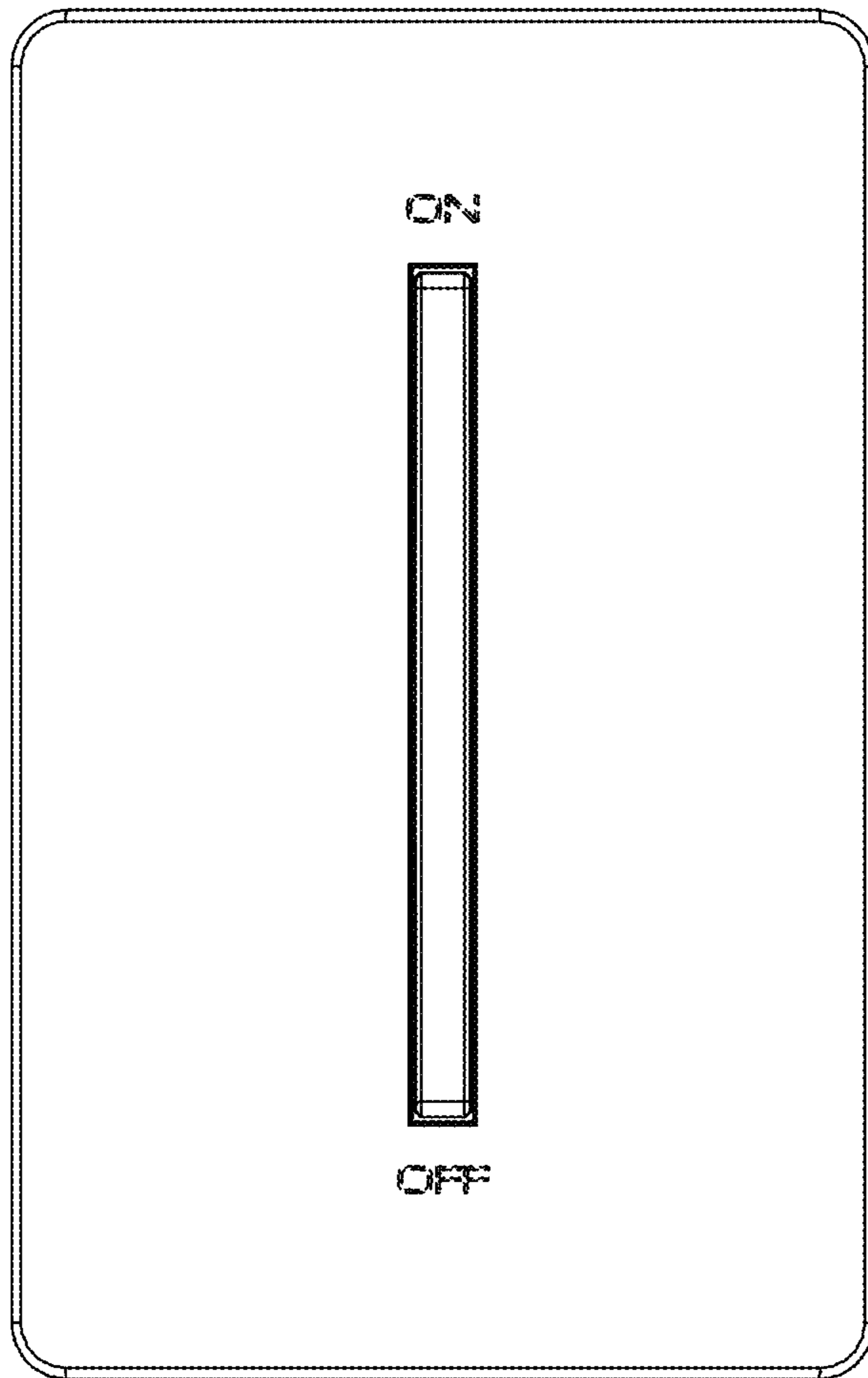


Fig. 1

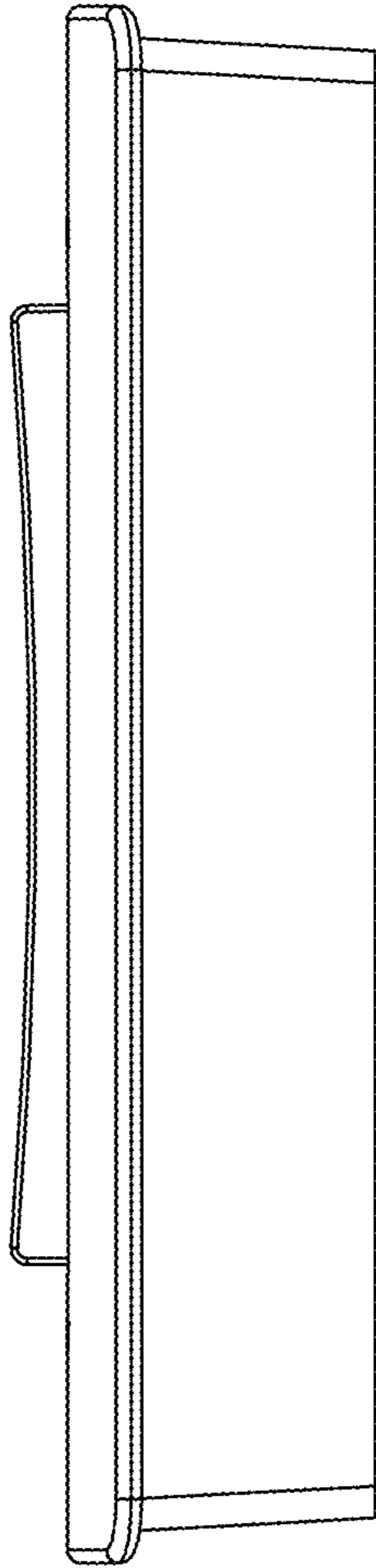


Fig. 2

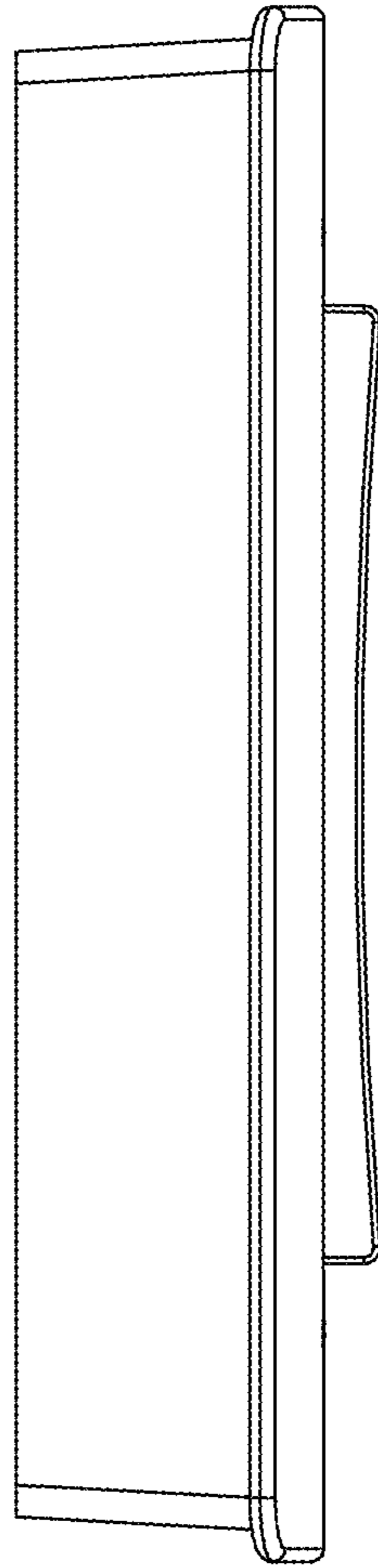


Fig. 3

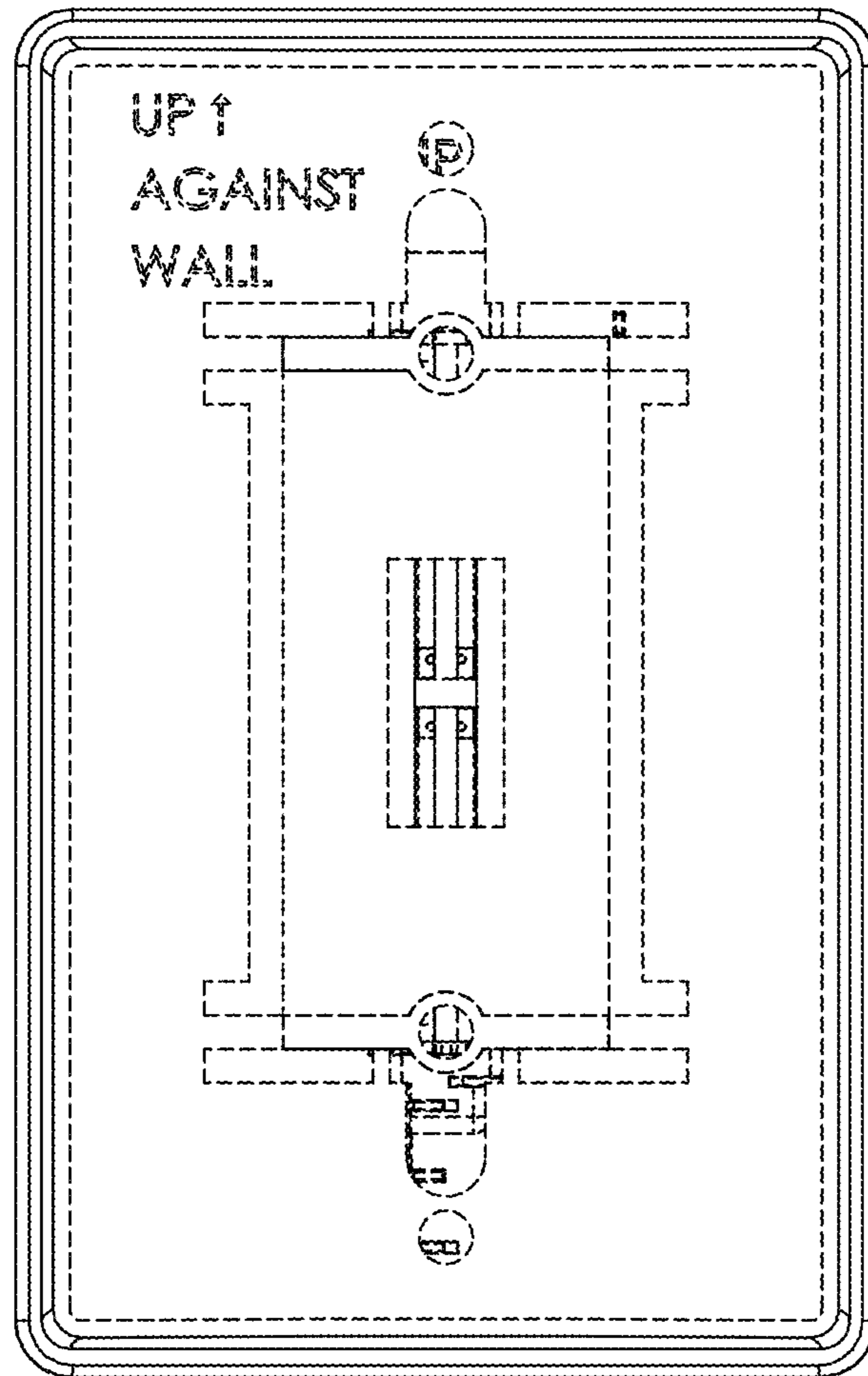


Fig. 4

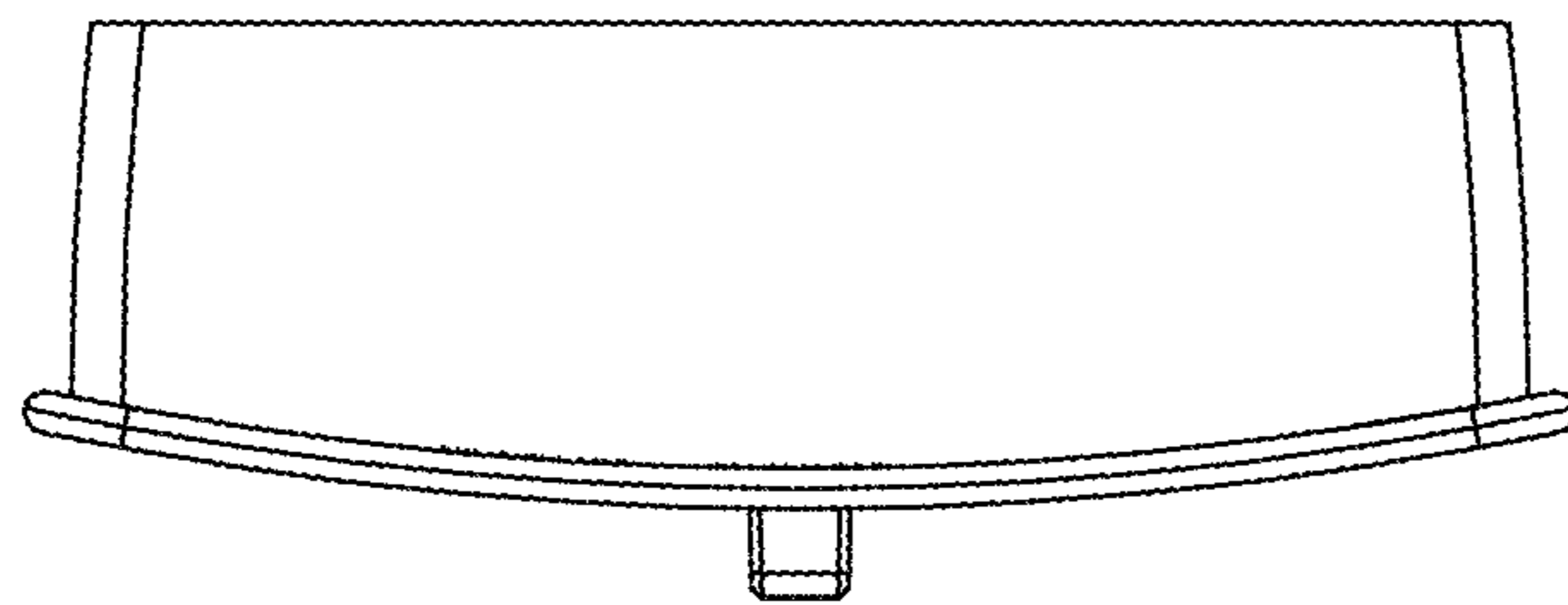


Fig. 5

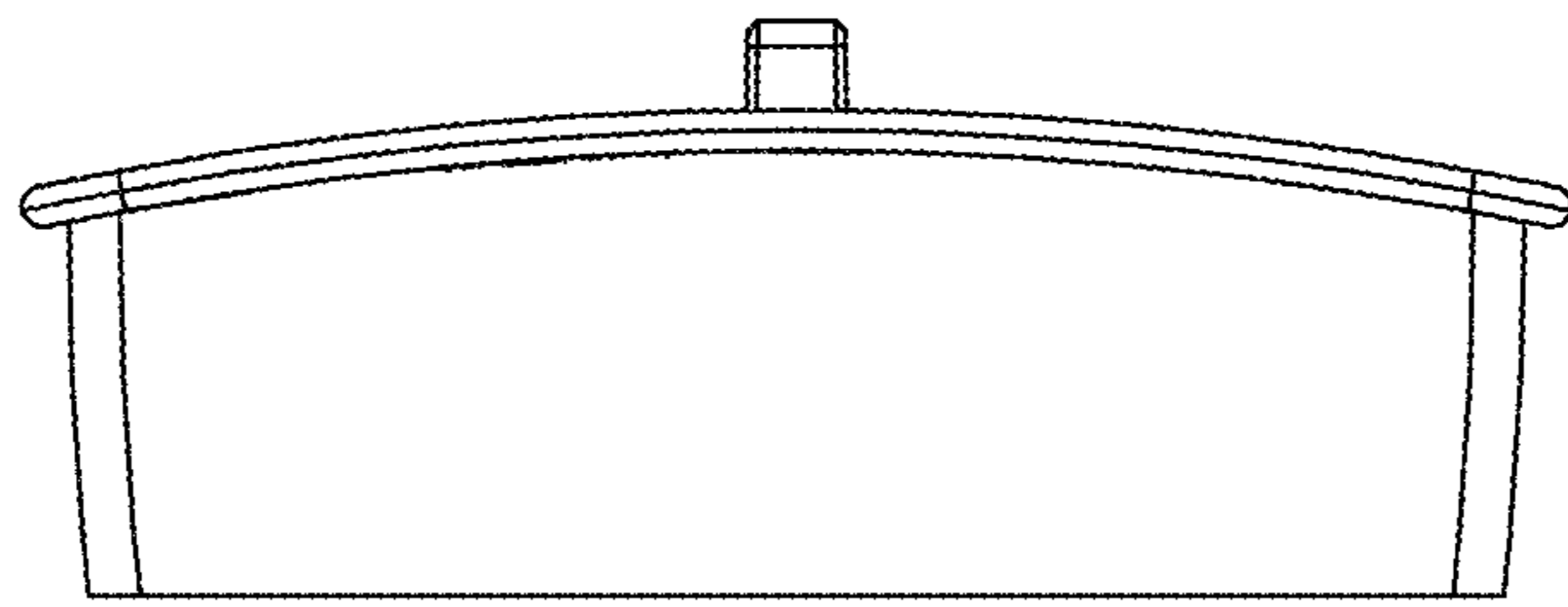


Fig. 6

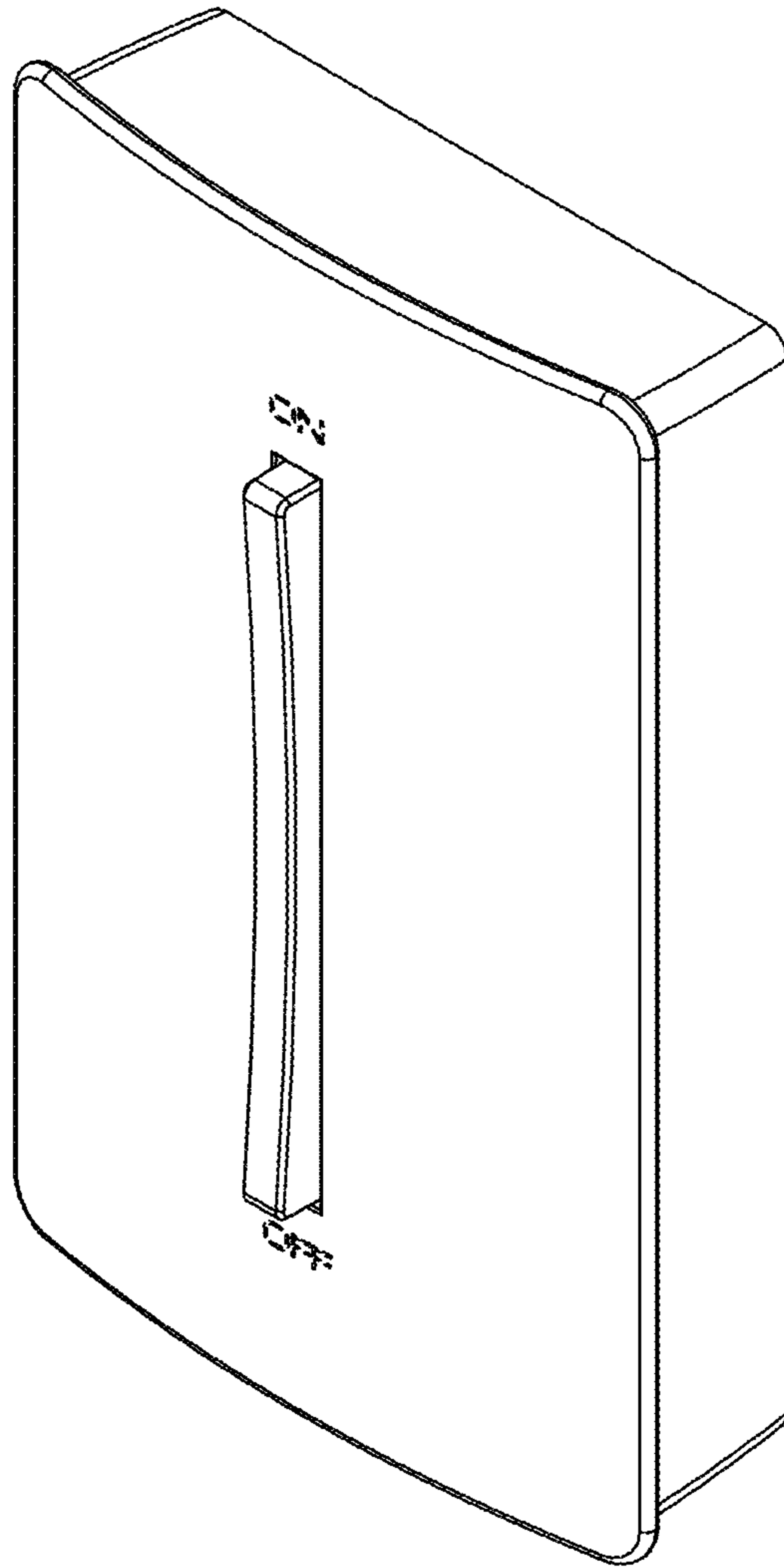


Fig. 7