



US00D789304S

(12) **United States Design Patent** (10) **Patent No.:** **US D789,304 S**  
**Dobson et al.** (45) **Date of Patent:** **\*\* Jun. 13, 2017**

(54) **CORD RECEPTACLE**

(71) Applicants: **George Dobson**, DeLand, FL (US);  
**Margaret Dobson**, DeLand, FL (US)

(72) Inventors: **George Dobson**, DeLand, FL (US);  
**Margaret Dobson**, DeLand, FL (US)

(\*\*) Term: **15 Years**

(21) Appl. No.: **29/537,736**

(22) Filed: **Aug. 28, 2015**

(51) **LOC (10) Cl.** ..... **13-03**

(52) **U.S. Cl.**  
USPC ..... **D13/156**

(58) **Field of Classification Search**  
USPC ..... D13/110, 123, 133, 137.1, 139.1, 139.4,  
D13/152, 154, 155, 156, 158, 162, 164,  
D13/173, 177, 184; D8/349-351, 353;  
174/67, 66; D10/49; 439/147-149, 373,  
439/391, 535, 536, 538; 220/241, 242;  
361/600, 707, 752  
CPC .... H05K 5/0013; H05K 5/006; H05K 5/0073;  
H05K 7/1417  
See application file for complete search history.

D572,204 S \* 7/2008 Tkaczewski ..... D13/164  
D578,971 S \* 10/2008 Yun ..... D13/184  
D580,865 S \* 11/2008 Gershfeld ..... D13/139.4

(Continued)

*Primary Examiner* — Derrick Holland  
*Assistant Examiner* — Jennifer O King  
(74) *Attorney, Agent, or Firm* — Terry M. Sanks, Esq.;  
Beusse Wolter Sanks & Maire, PLLC

(57) **CLAIM**

The ornamental design for a cord receptacle, as shown and described.

**DESCRIPTION**

FIG. 1 is a perspective view of a cord receptacle;  
FIG. 2 is an enlarged detail view thereof, taken at region 2 of FIG. 1;  
FIG. 3 is a partial sectional view thereof, taken along line 3-3 of FIG. 2;  
FIG. 4 is a partial sectional view thereof, taken along line 4-4 of FIG. 2;  
FIG. 5 is a partial sectional view thereof, taken along line 5-5 of FIG. 2;  
FIG. 6 is a partial sectional view thereof, taken along line 6-6 of FIG. 2;  
FIG. 7 is an enlarged detail view thereof, taken at region 7 of FIG. 1;  
FIG. 8 is a partial sectional view thereof, taken along line 8-8 of FIG. 7;  
FIG. 9 is a partial sectional view thereof, taken along line 9-9 of FIG. 7;  
FIG. 10 is a partial sectional view thereof, taken along line 10-10 of FIG. 7; and,  
FIG. 11 is a partial sectional view thereof, taken along line 11-11 of FIG. 7.

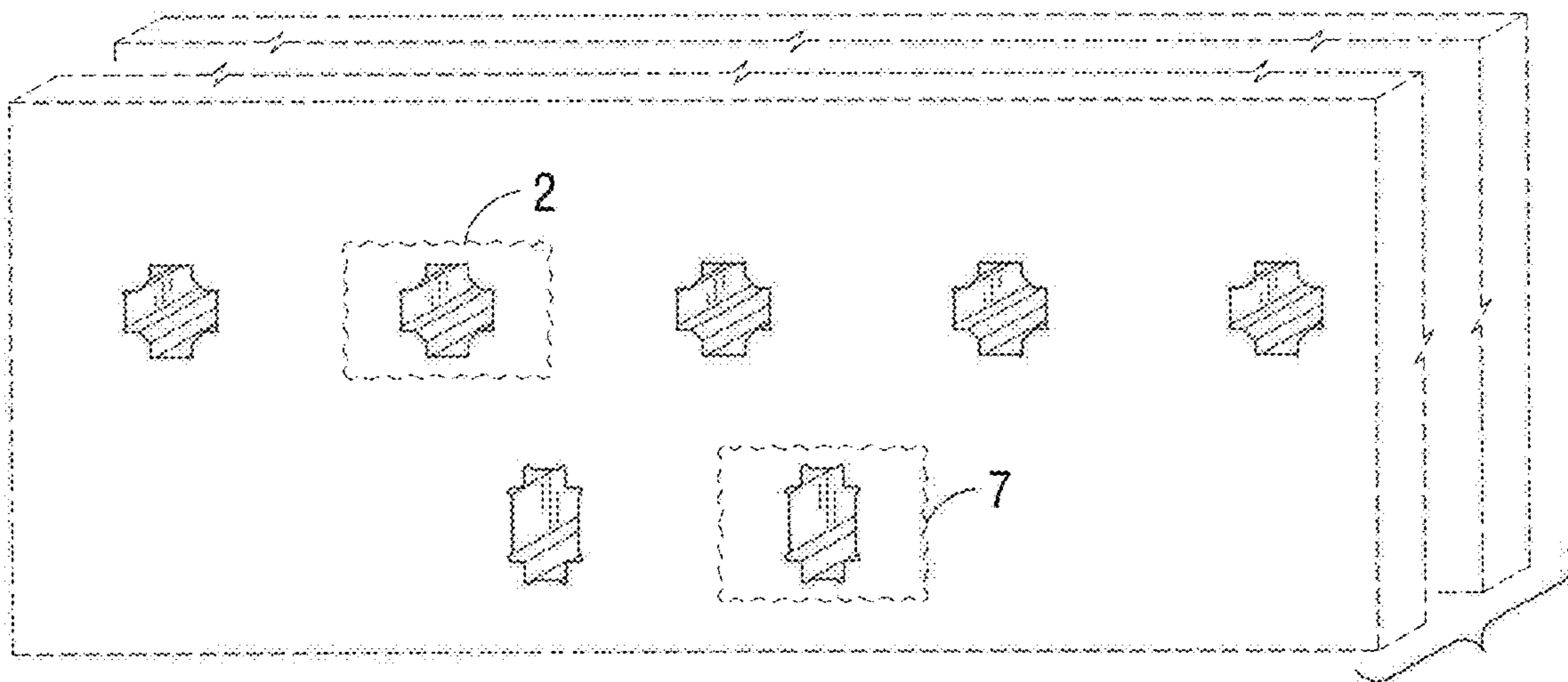
The cord receptacle is shown with a symbolic break in its length. The appearance of any portion of the article between the break lines forms no part of the claimed design. The broken lines shown represent unclaimed subject matter and form no part of the claimed design.

**1 Claim, 4 Drawing Sheets**

(56) **References Cited**

U.S. PATENT DOCUMENTS

|                |         |             |       |                        |
|----------------|---------|-------------|-------|------------------------|
| D314,748 S *   | 2/1991  | Littrell    | ..... | D13/152                |
| 5,073,841 A *  | 12/1991 | DelGuidice  | ..... | H02B 1/202<br>174/72 A |
| D402,631 S *   | 12/1998 | Walters     | ..... | D13/154                |
| D404,010 S *   | 1/1999  | Viklund     | ..... | D13/155                |
| 6,301,752 B1   | 10/2001 | Koppang     |       |                        |
| D480,053 S *   | 9/2003  | Stoneberger | ..... | D13/155                |
| 6,793,523 B1 * | 9/2004  | Wei         | ..... | H01R 13/72<br>439/501  |
| 7,247,799 B2 * | 7/2007  | Mori        | ..... | H02G 3/105<br>174/135  |



(56)

**References Cited**

U.S. PATENT DOCUMENTS

|           |      |        |                  |                      |
|-----------|------|--------|------------------|----------------------|
| 7,528,323 | B2 * | 5/2009 | Wu .....         | H01R 13/72<br>174/66 |
| 8,132,302 | B2   | 3/2012 | Wilkinson        |                      |
| 8,203,077 | B2   | 6/2012 | Honeycutt et al. |                      |
| 8,523,098 | B2   | 9/2013 | Detweiler        |                      |
| D728,473  | S *  | 5/2015 | Abe .....        | D13/110              |
| 9,038,795 | B2   | 5/2015 | Ichikawa         |                      |
| 9,042,591 | B2   | 5/2015 | Millikan         |                      |

\* cited by examiner

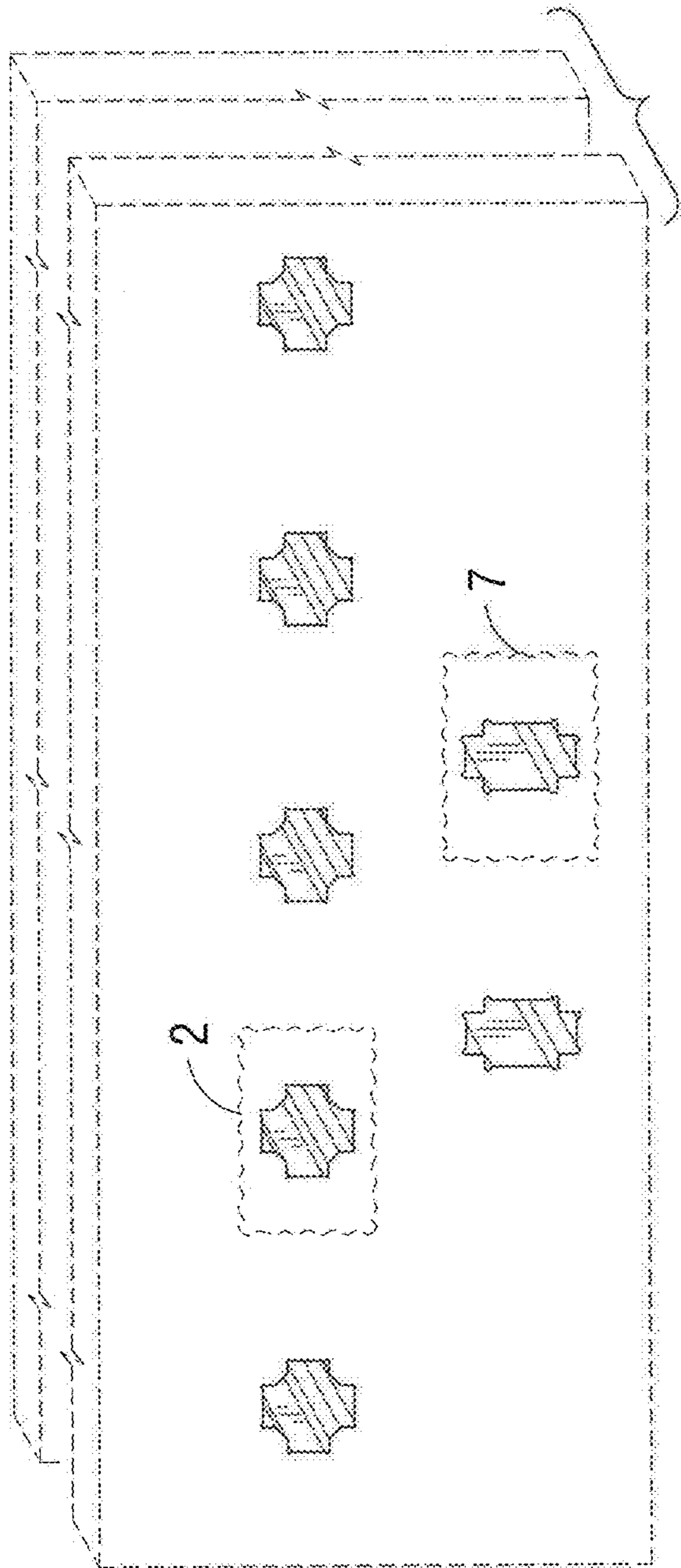


FIG. 1

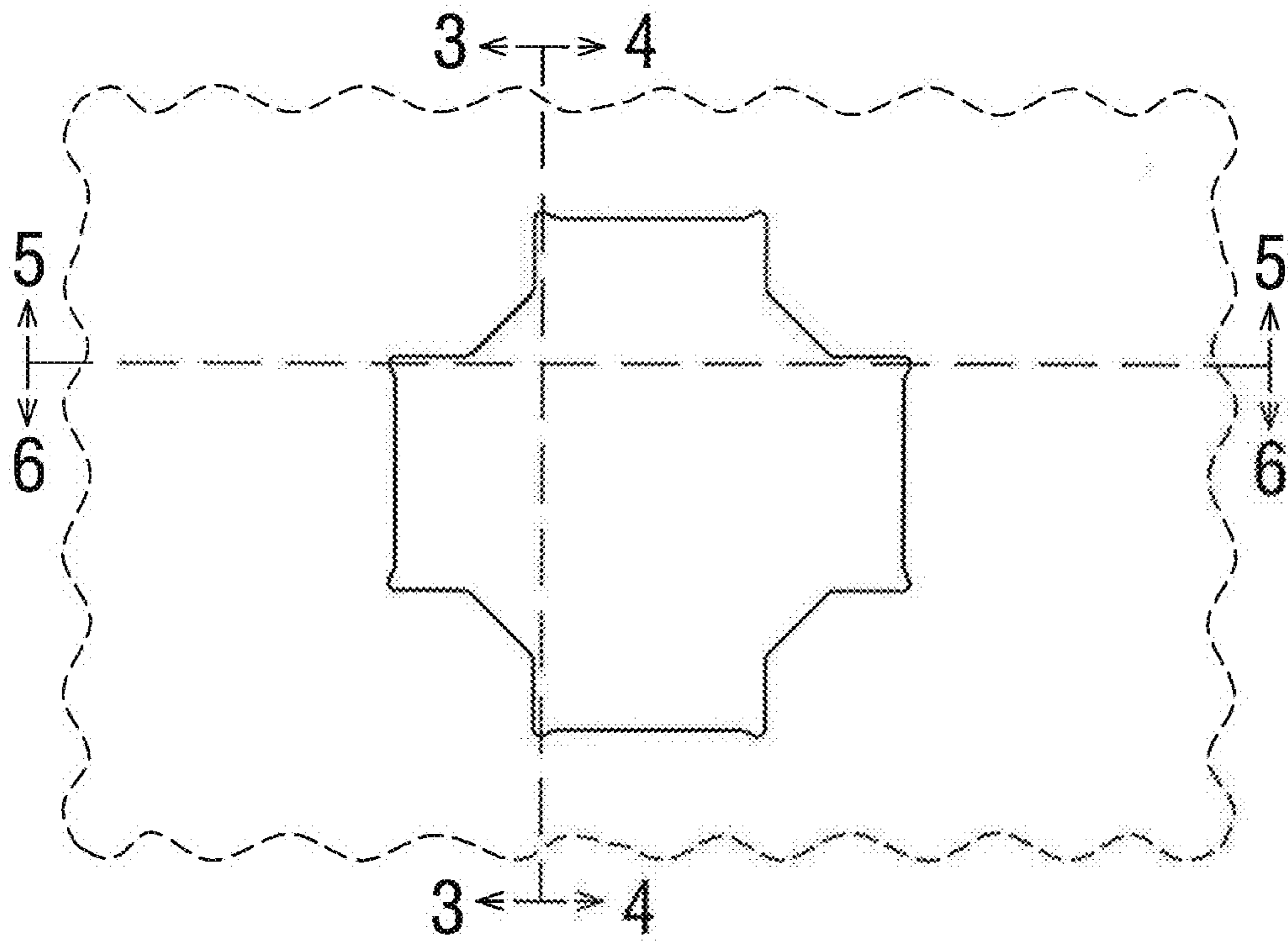


FIG. 2

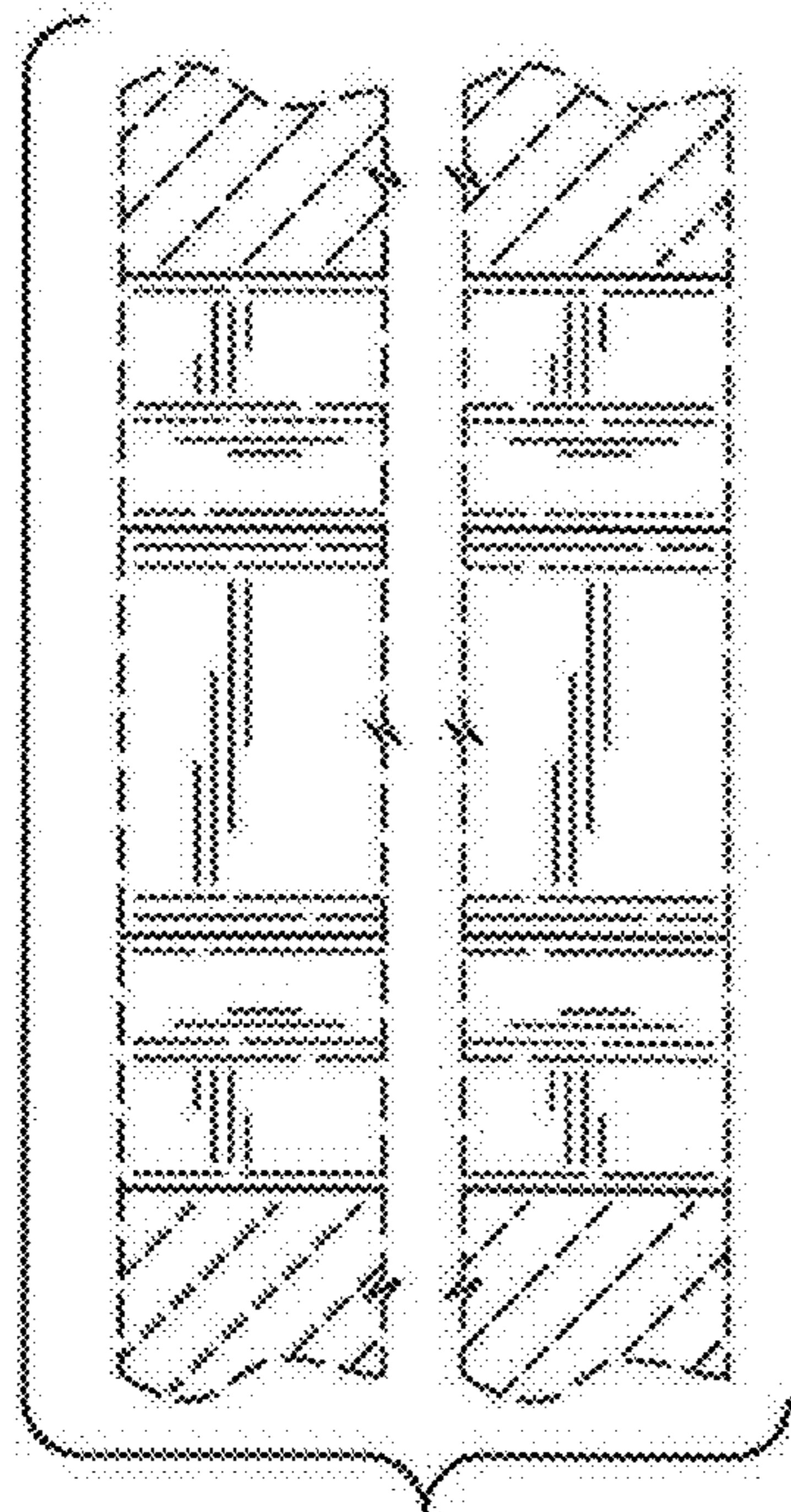


FIG. 3

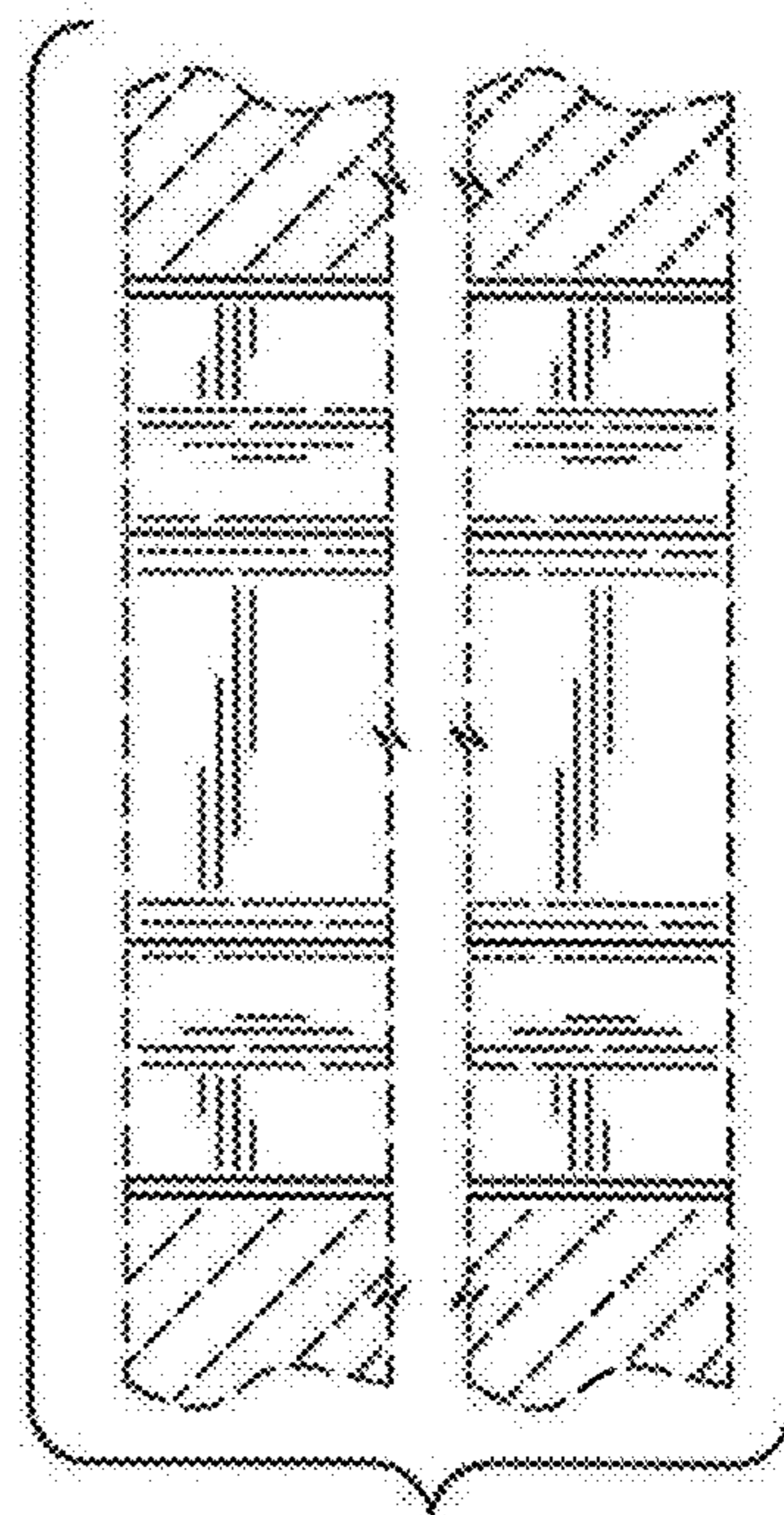


FIG. 4

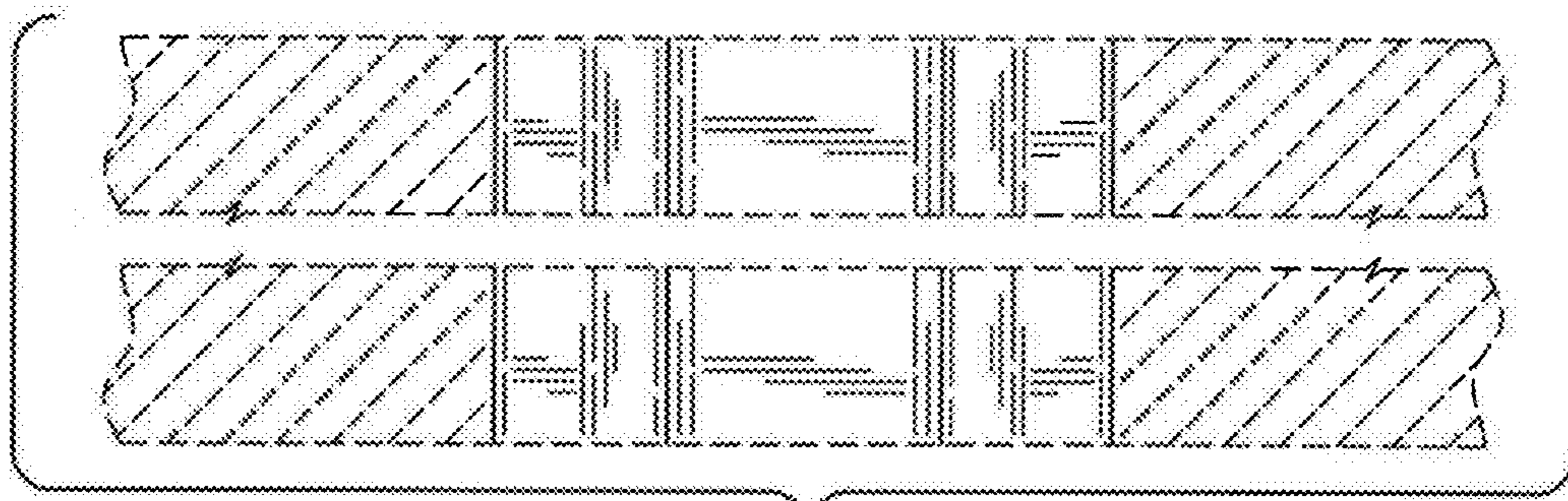


FIG. 5

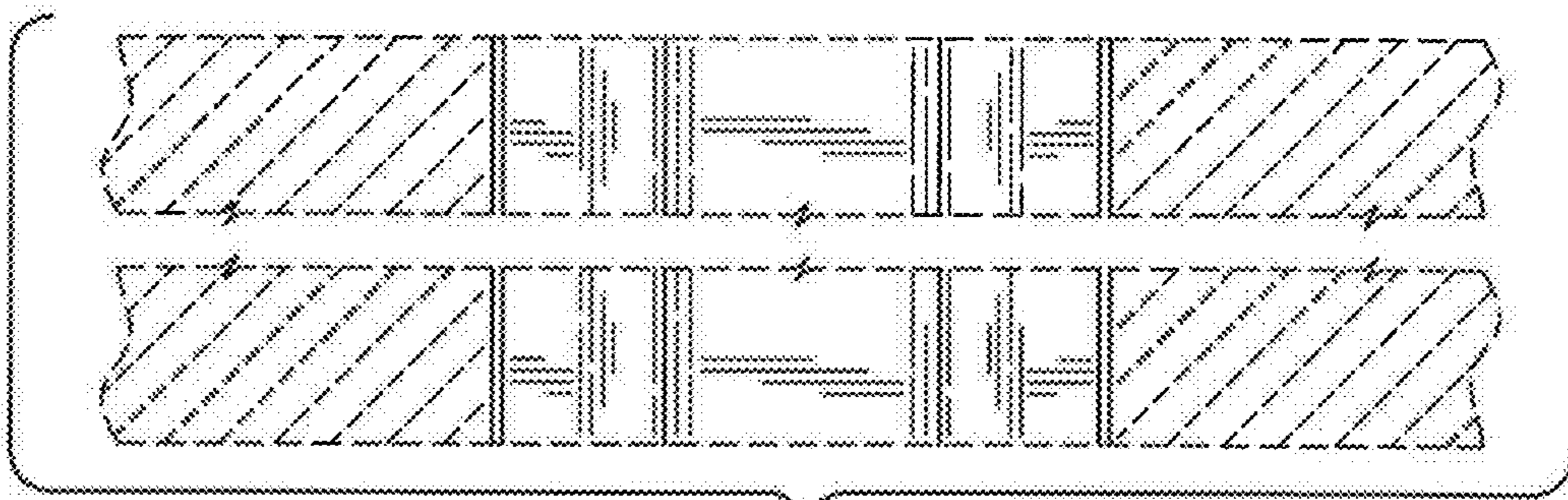


FIG. 6

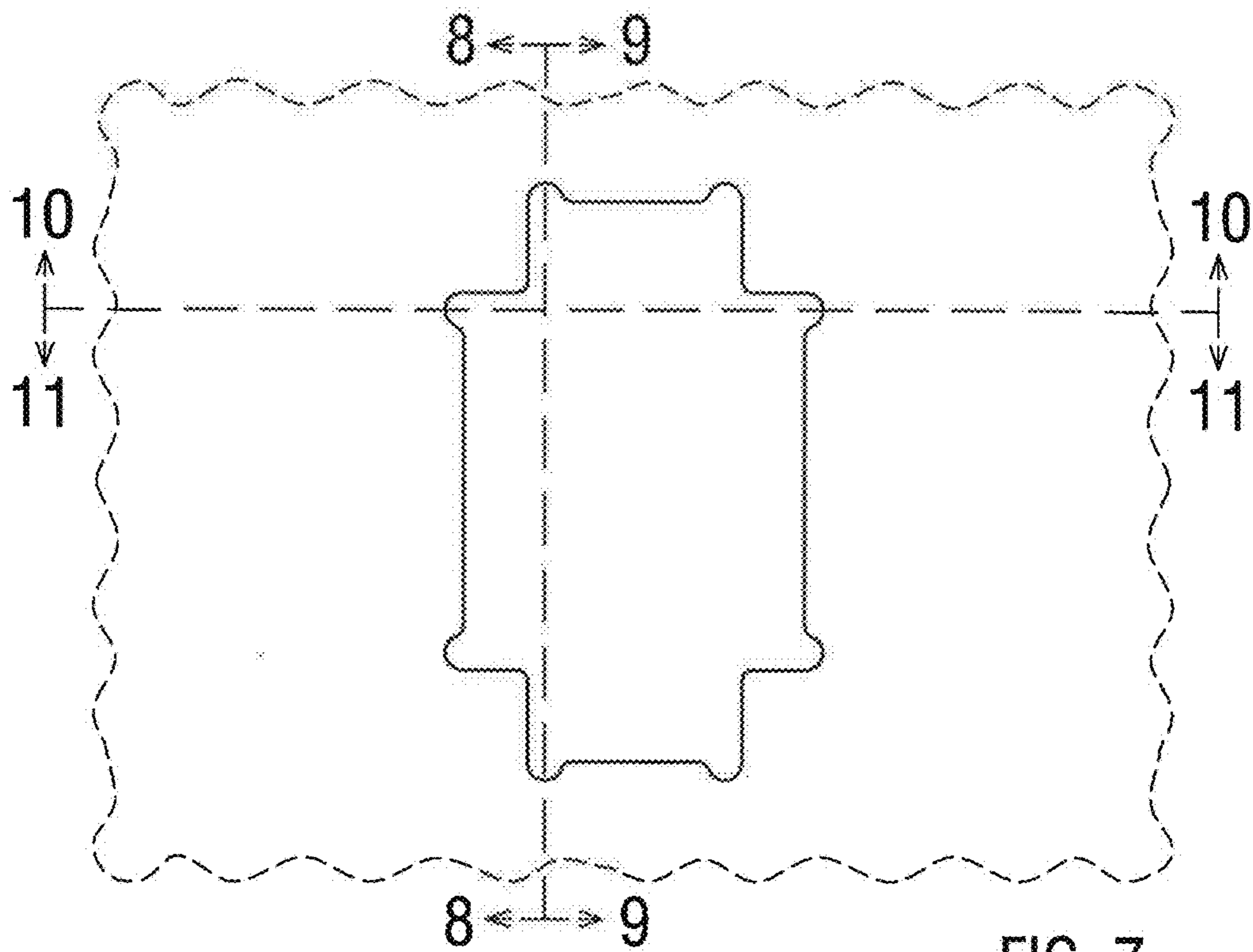


FIG. 7

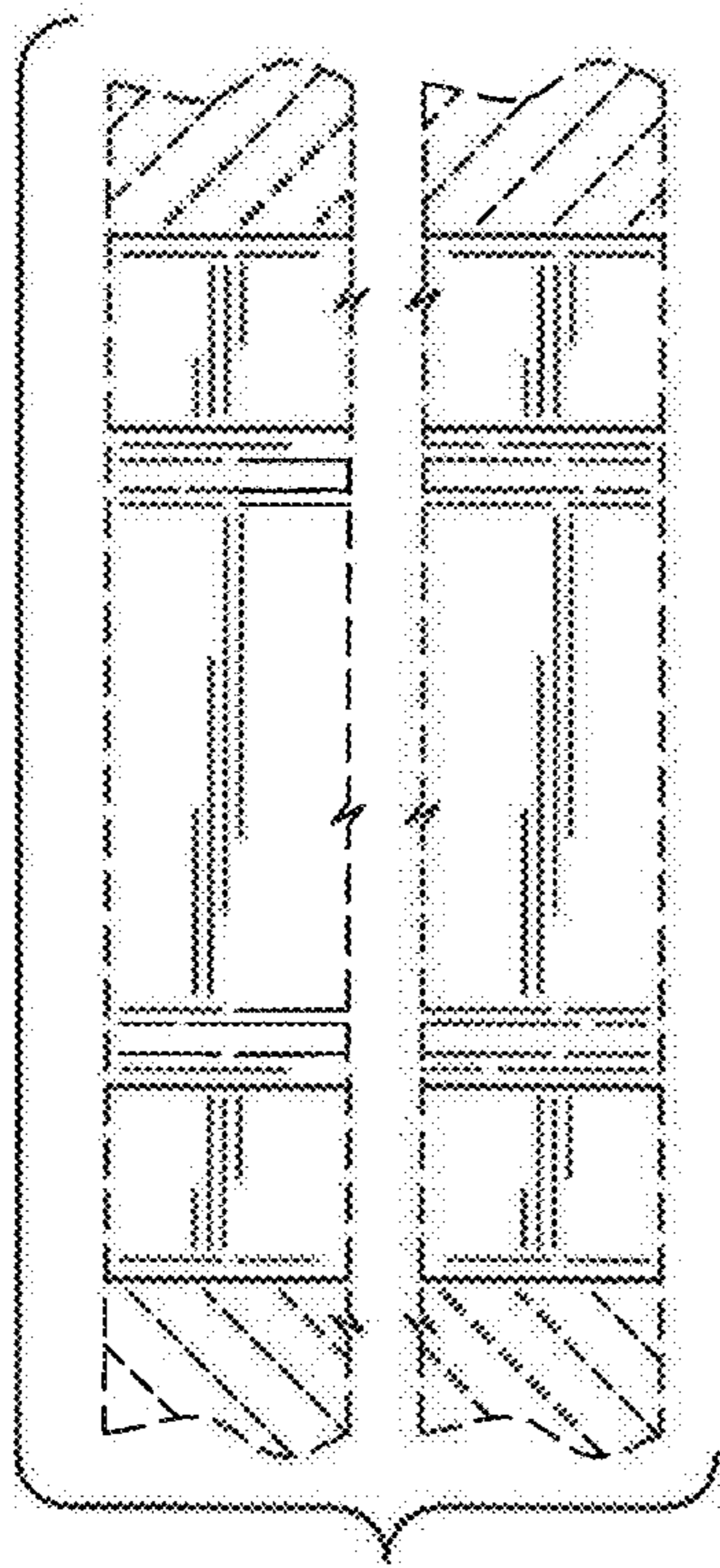


FIG. 8

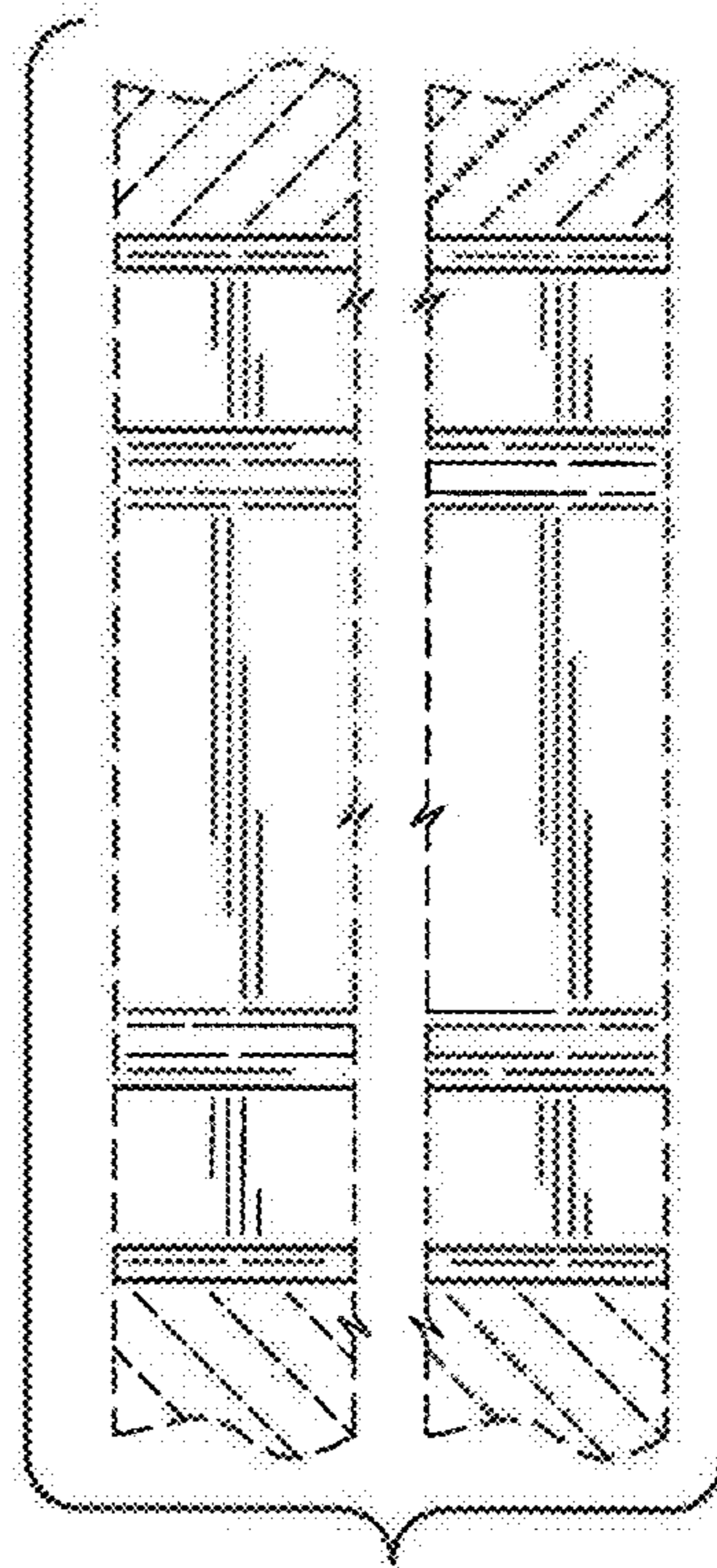


FIG. 9

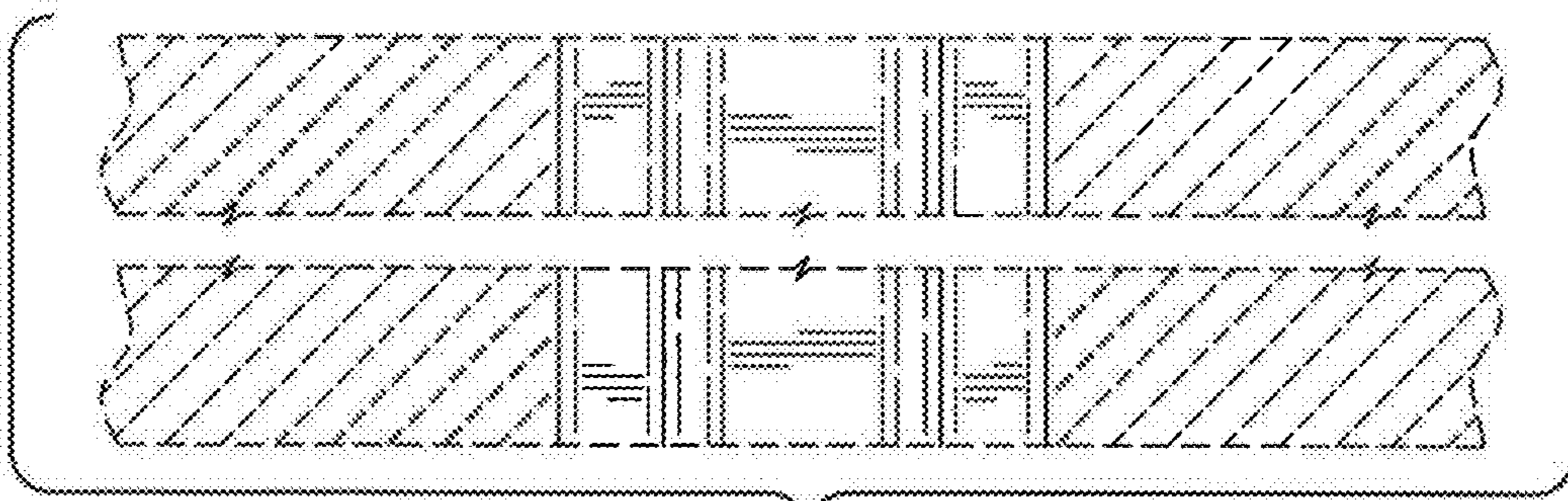


FIG. 10

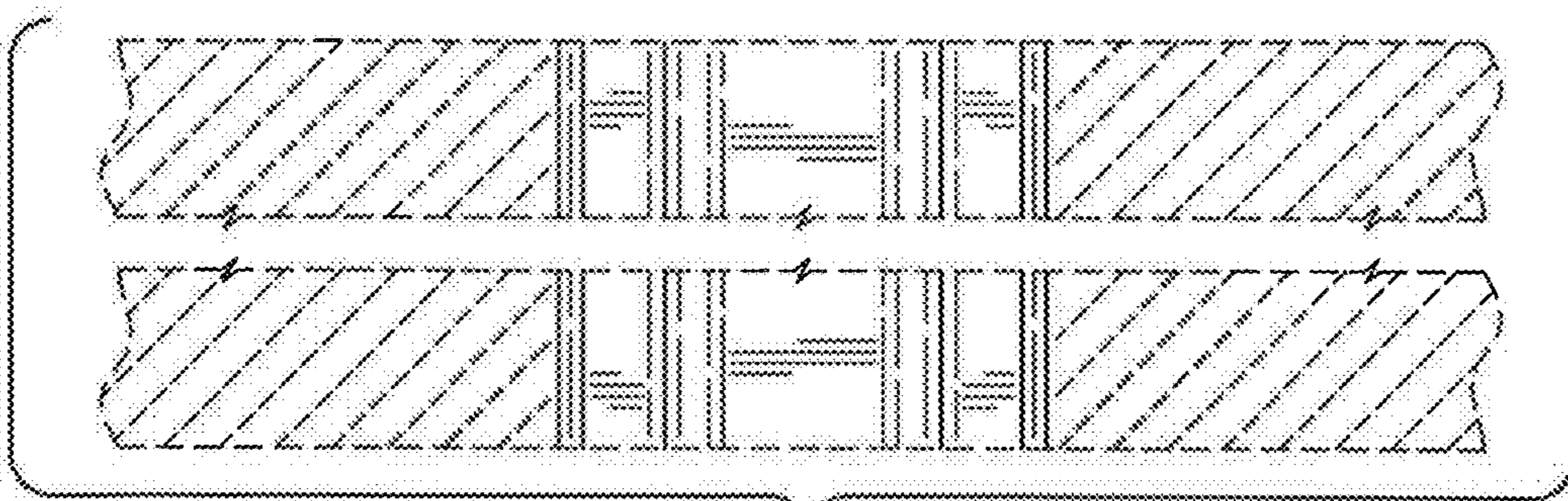


FIG. 11