



US00D789302S

(12) **United States Design Patent**
Hsu et al.

(10) **Patent No.:** **US D789,302 S**
(45) **Date of Patent:** **** Jun. 13, 2017**

(54) **ELECTRICAL CONNECTOR**

(71) Applicant: **CHIEF LAND ELECTRONIC CO., LTD.**, New Taipei (TW)

(72) Inventors: **Hsin-Hung Hsu**, New Taipei (TW);
Chien-Chen Lin, Taipei County (TW);
Chung-Nan Pao, New Taipei (TW)

(73) Assignee: **CHIEF LAND ELECTRONIC CO., LTD.**, New Taipei (TW)

(**) Term: **15 Years**

(21) Appl. No.: **29/535,519**

(22) Filed: **Aug. 7, 2015**

(51) **LOC (10) Cl.** **13-03**

(52) **U.S. Cl.**

USPC **D13/147**

(58) **Field of Classification Search**

USPC D13/133, 146, 147, 154, 184, 199;

D14/432, 433, 435, 435.1, 436, 437, 438

CPC H01R 13/518; H01R 13/6471; H01R

13/6581; H01R 13/6585; H01R 13/6587;

H01R 13/6592; H01R 13/6593; H01R

13/6594; H01R 24/78; H01R 24/60

See application file for complete search history.

(56) **References Cited**

U.S. PATENT DOCUMENTS

D620,443 S * 7/2010 Shu D13/147

D626,080 S * 10/2010 Zong D13/147

D684,538 S * 6/2013 Akana D13/147
2016/0104976 A1 * 4/2016 Yu H01R 13/6585
439/607.05
2017/0018883 A1 * 1/2017 Chen H01R 24/62

* cited by examiner

Primary Examiner — Daniel Bui

(74) *Attorney, Agent, or Firm* — Li & Cai Intellectual Property (USA) Office

(57) **CLAIM**

The ornamental design for an “electrical connector,” as shown and described.

DESCRIPTION

FIG. 1 is a front, top and right side perspective view of an electrical connector showing our new design;

FIG. 2 is a front view thereof;

FIG. 3 is a rear view thereof;

FIG. 4 is a left side view thereof;

FIG. 5 is a right side view thereof;

FIG. 6 is a top view thereof;

FIG. 7 is a bottom view thereof; and,

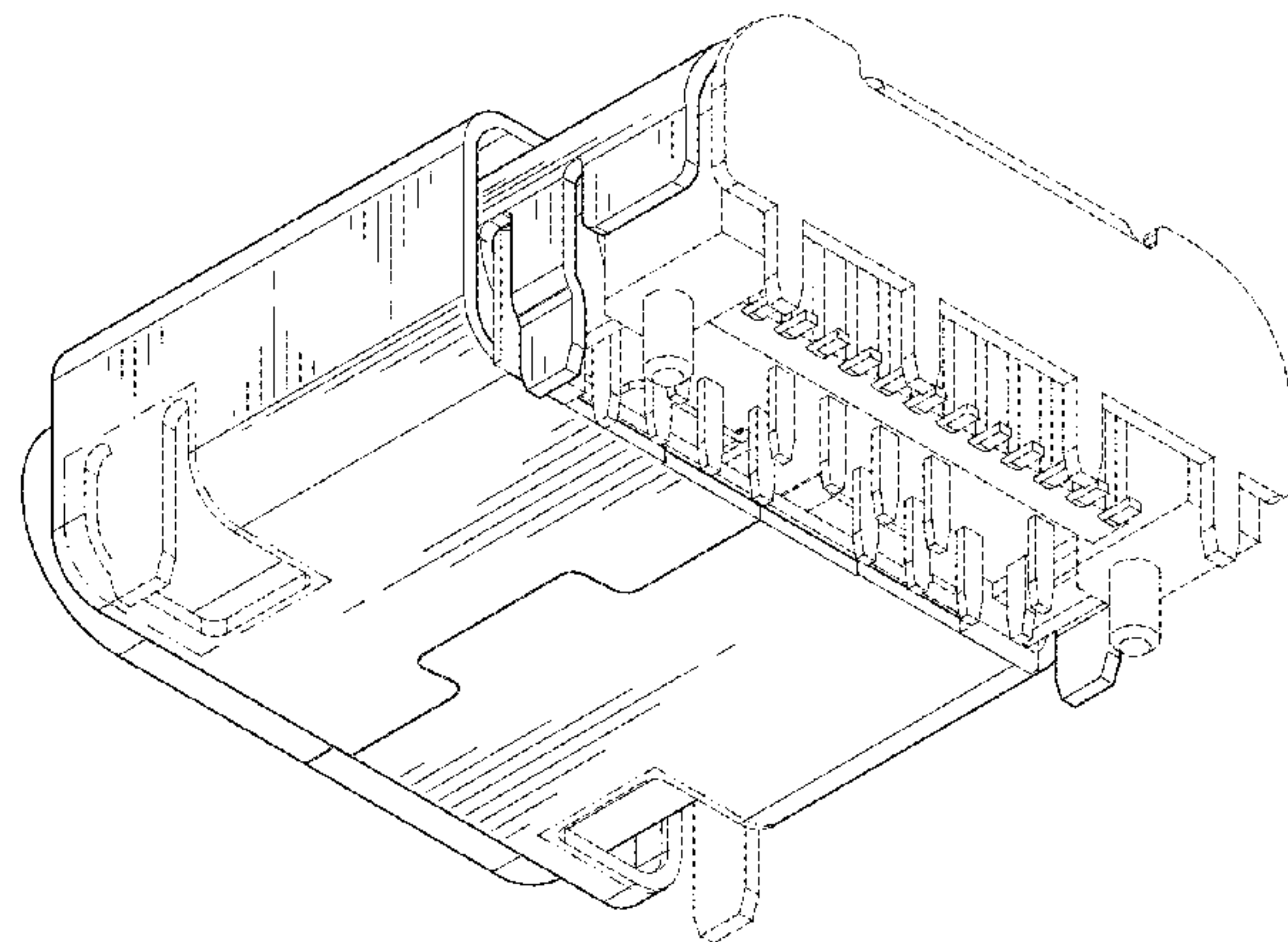
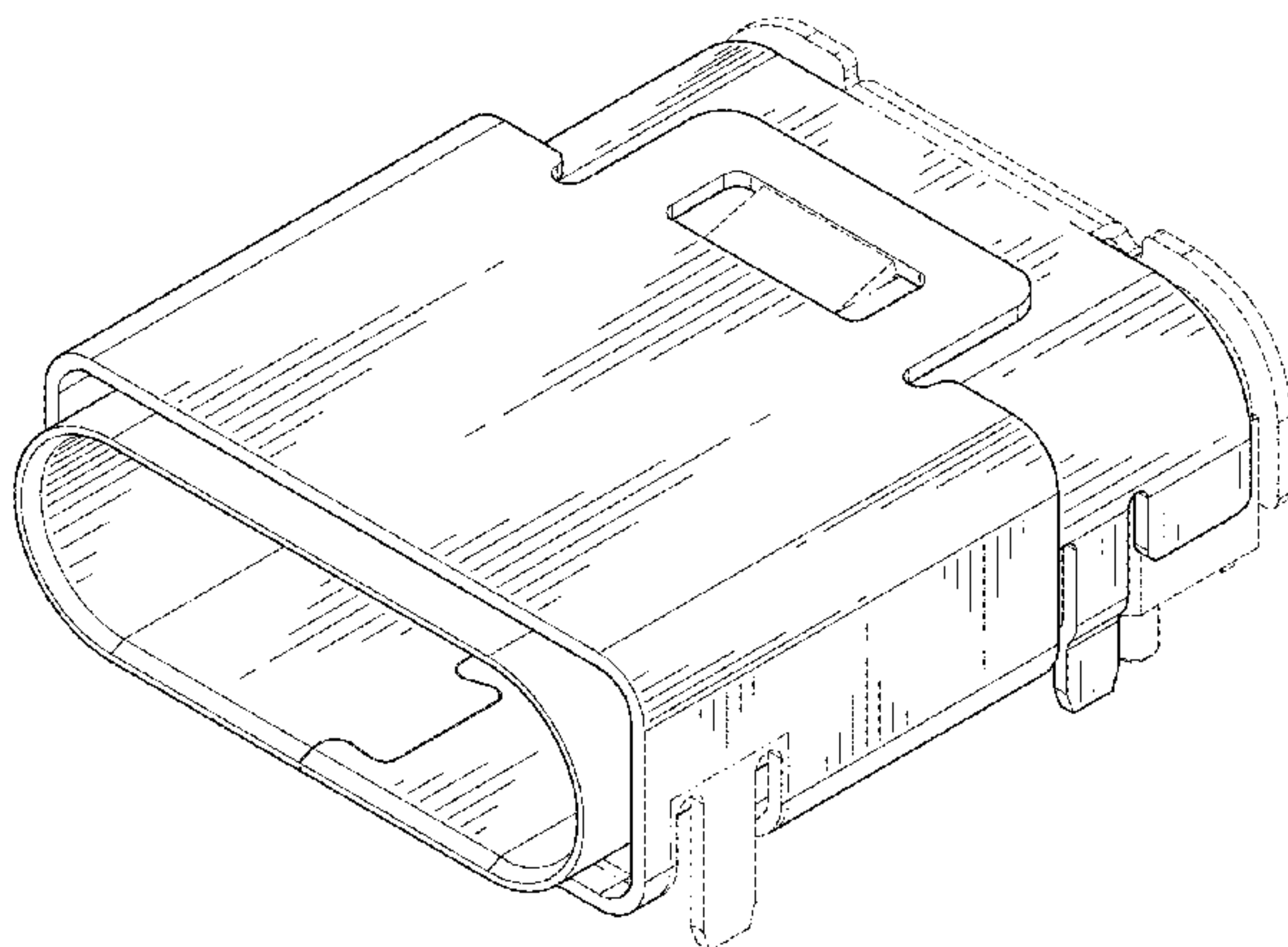
FIG. 8 is a rear, bottom and right side perspective view thereof.

The broken line shown in the drawing views represents unclaimed environmental only and forms no part of the claimed design.

The dot-dot-dash broken lines depict a boundary between claimed and unclaimed portions and form no part of the claimed design.

The relatively light shade lines on the surface portions indicate contour and not surface decoration.

1 Claim, 6 Drawing Sheets



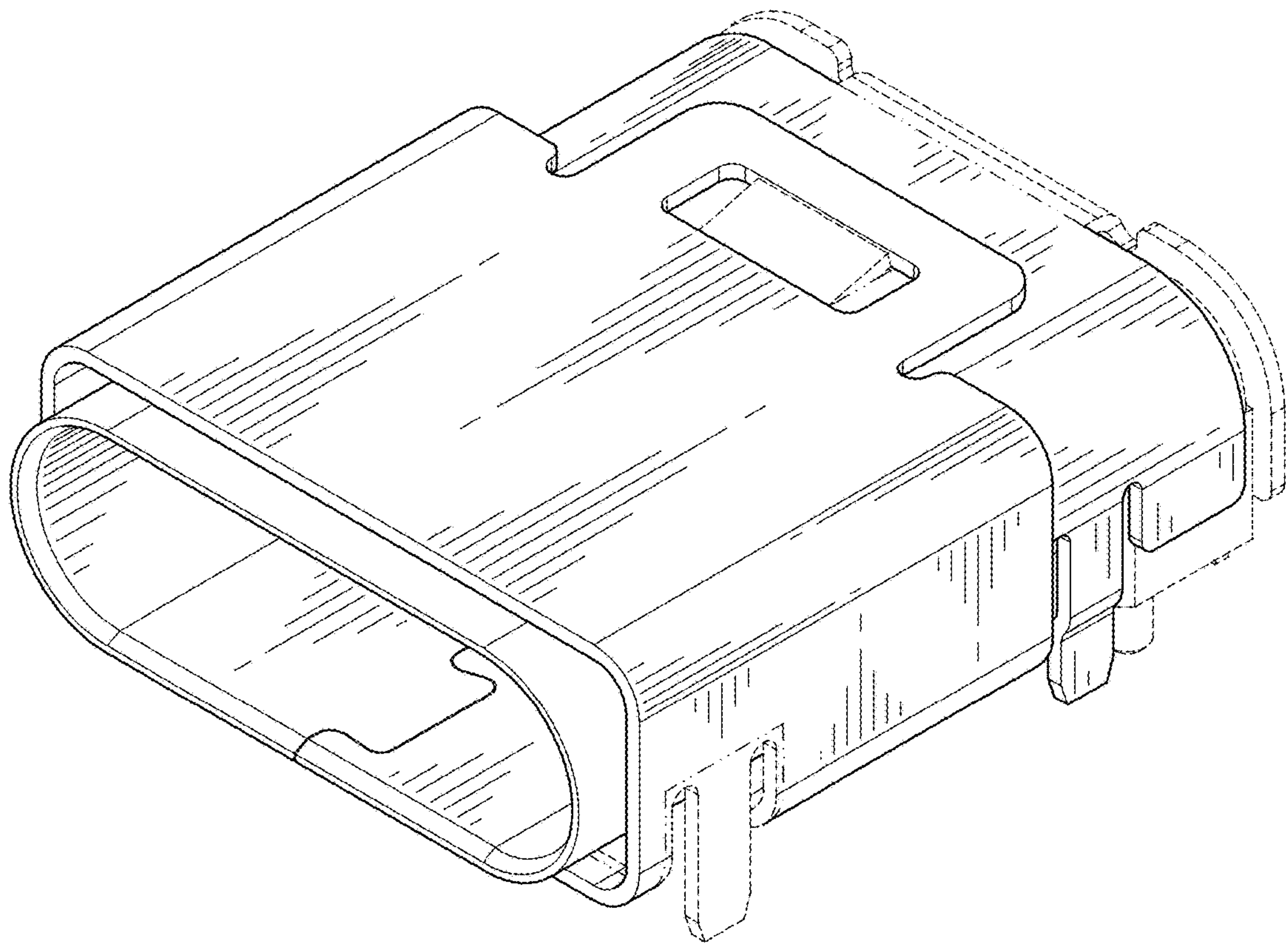


FIG.1

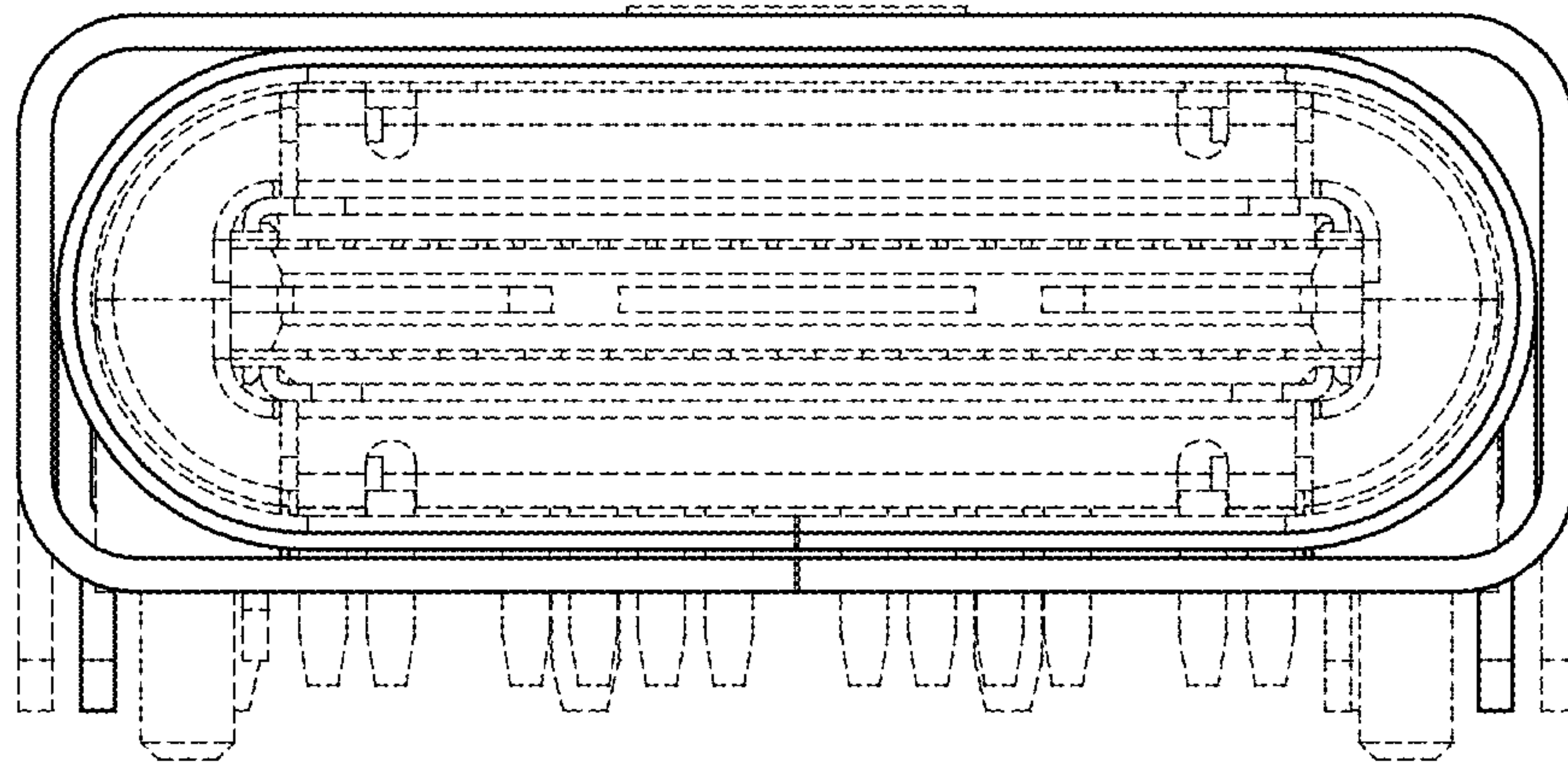


FIG. 2

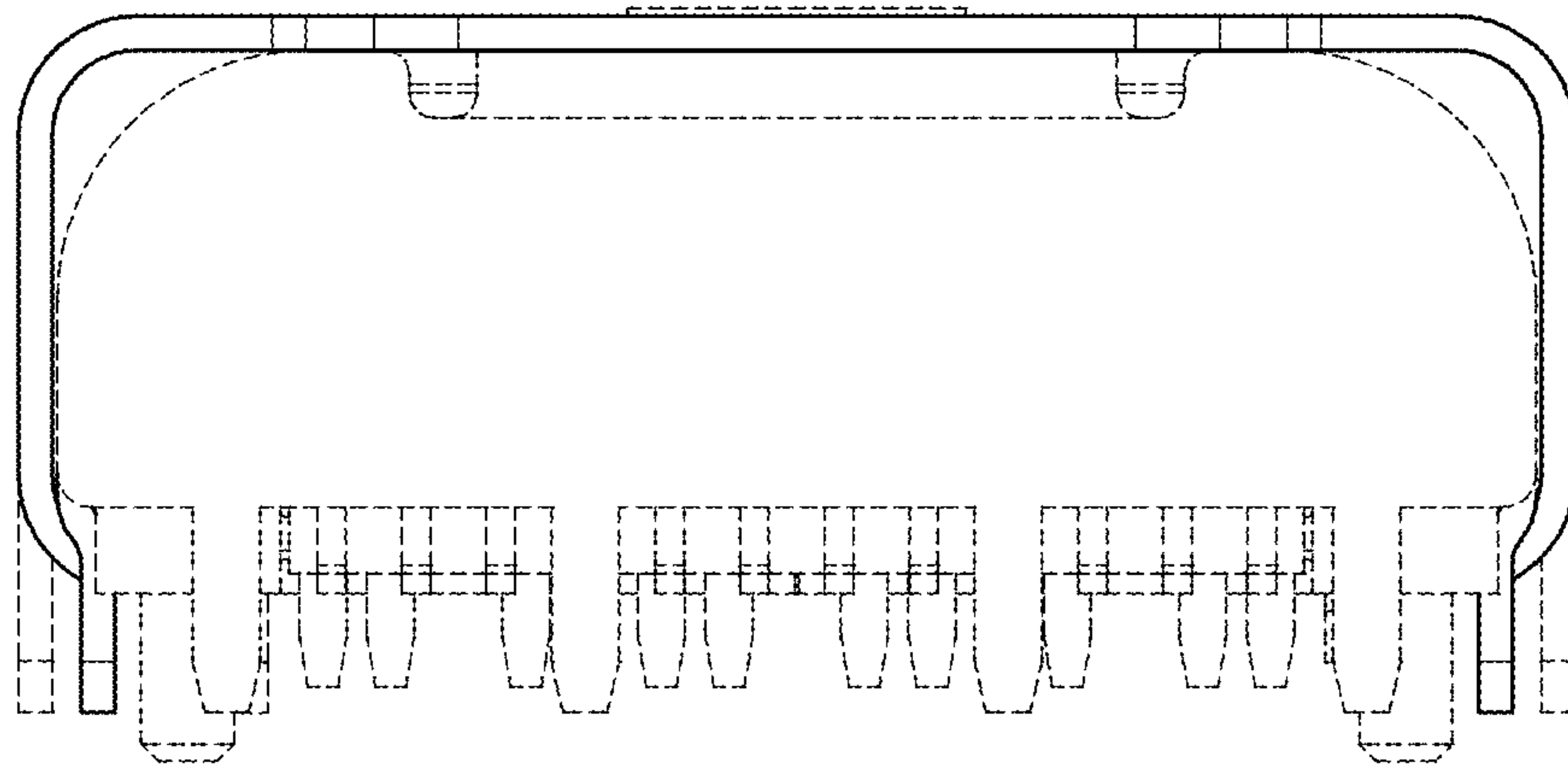


FIG. 3

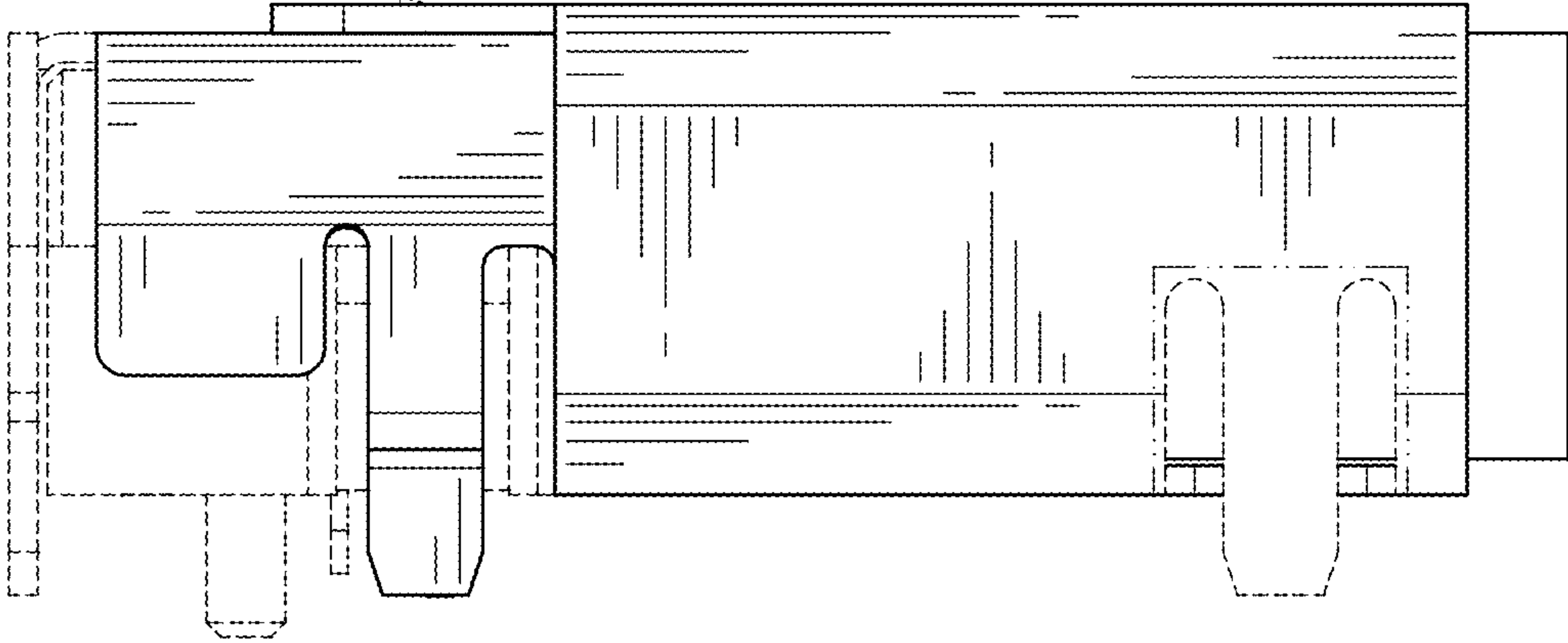


FIG.4

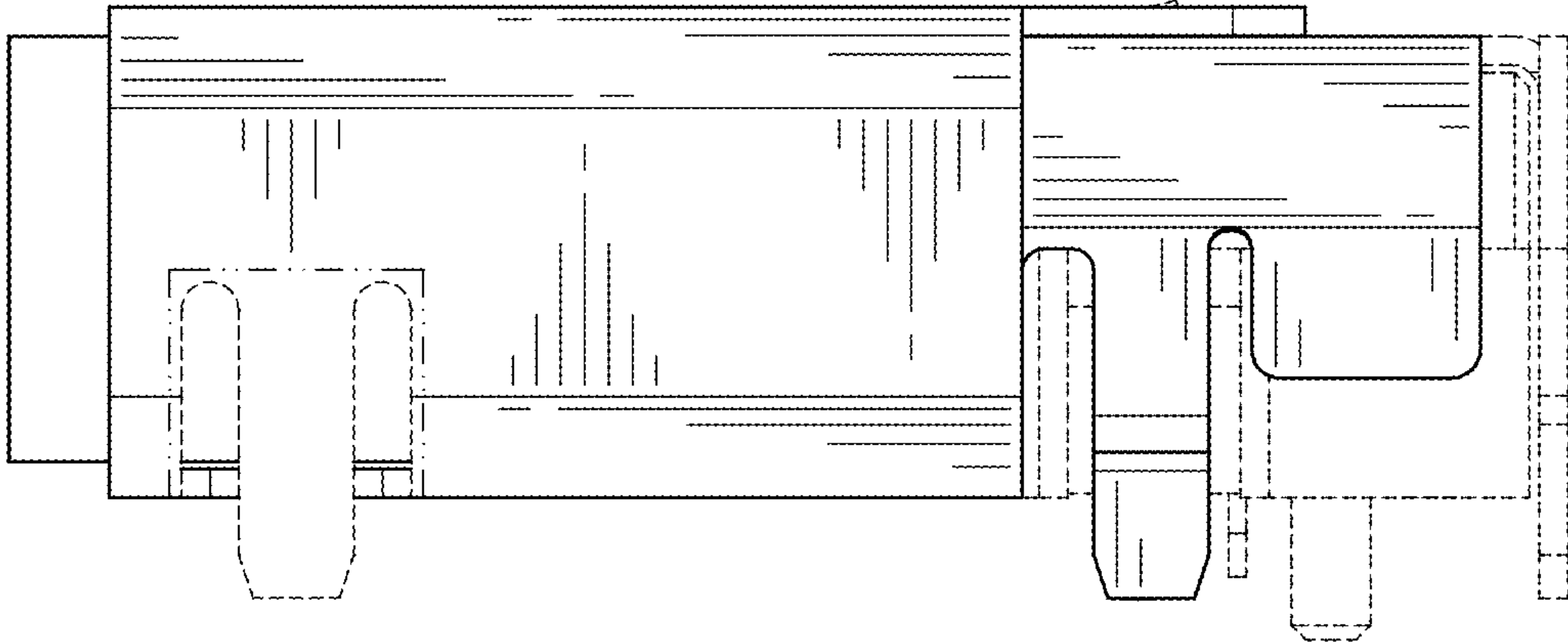


FIG.5

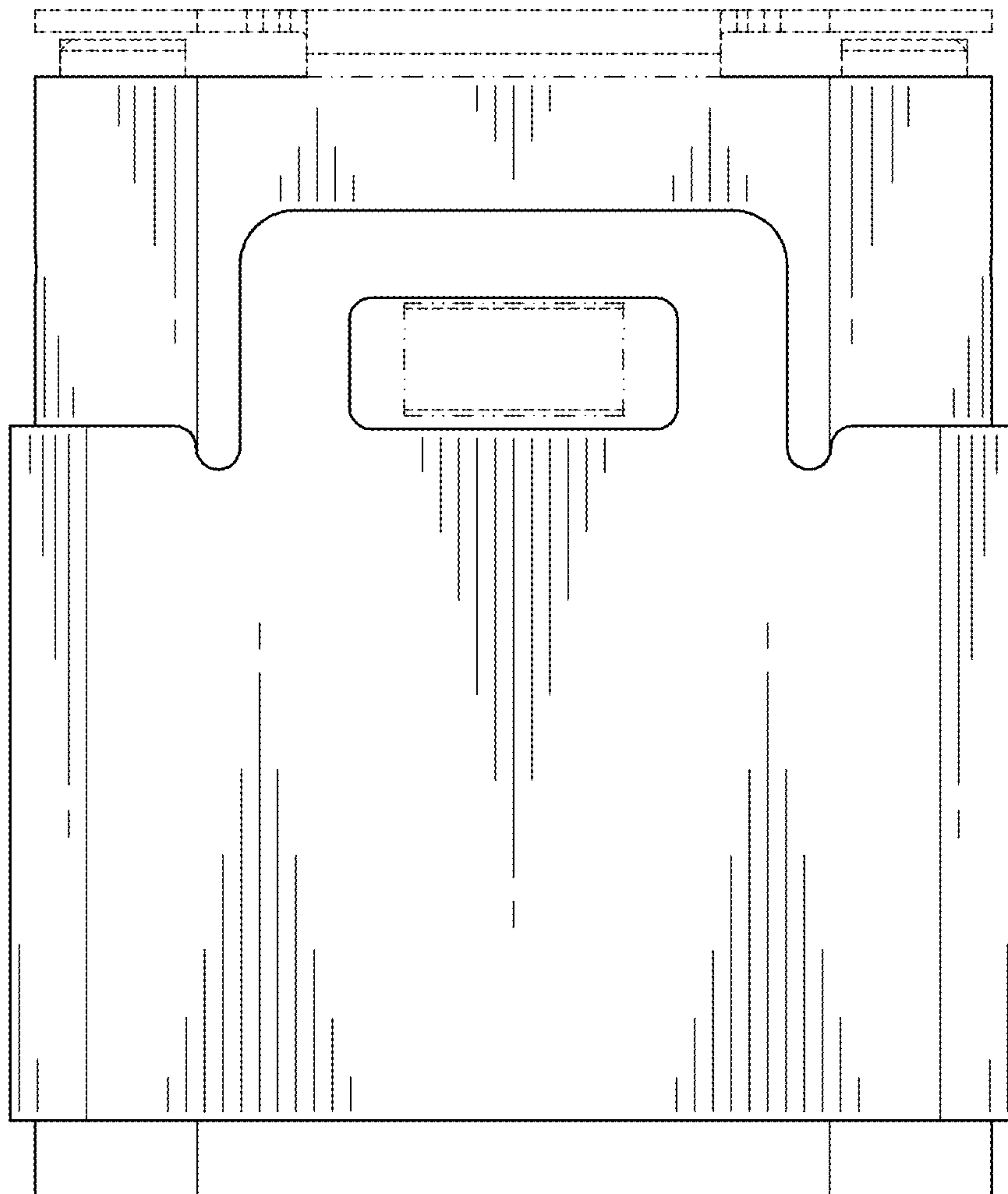


FIG.6

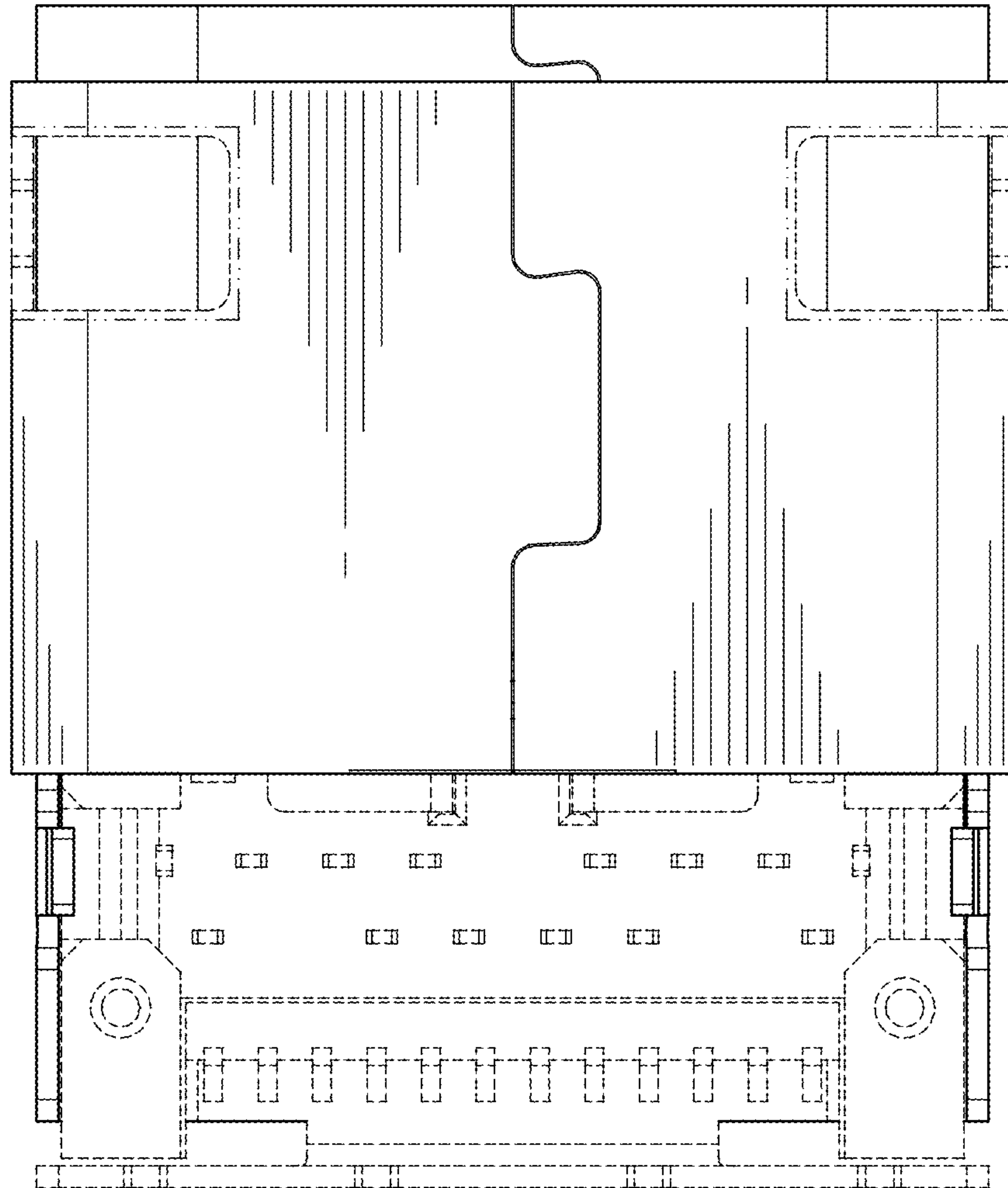


FIG. 7

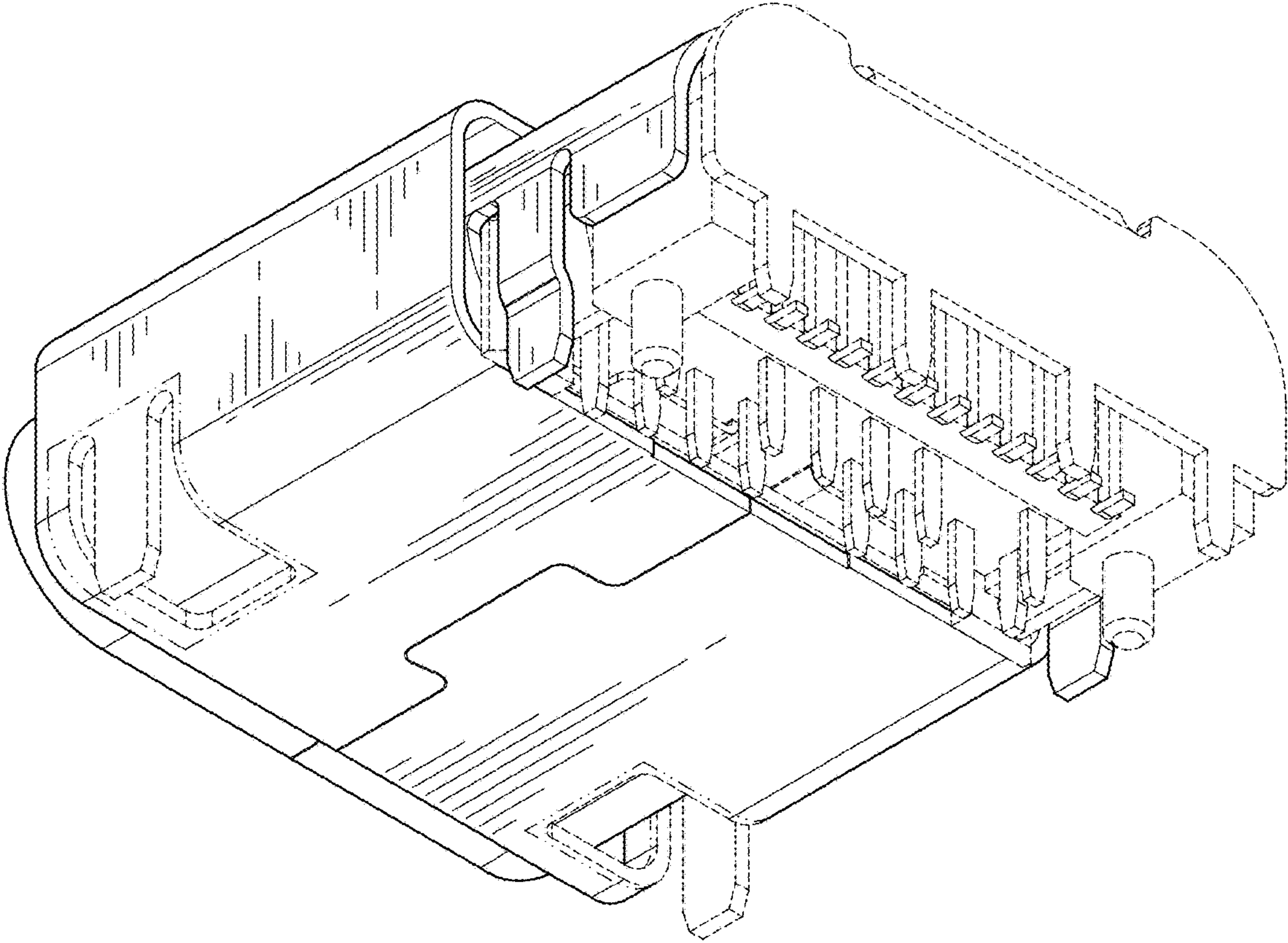


FIG.8