



US00D789300S

(12) **United States Design Patent**  
**Perez et al.**

(10) **Patent No.:** **US D789,300 S**  
(45) **Date of Patent:** **\*\* Jun. 13, 2017**

(54) **ELECTRICAL DONGLE**

(71) Applicant: **Google Inc.**, Mountain View, CA (US)

(72) Inventors: **Alberto Martin Perez**, Mountain View, CA (US); **Katie Leah Roberts-Hoffman**, San Jose, CA (US); **Hsu Wan Pao**, Taipei (TW)

(73) Assignee: **Google Inc.**, Mountain View, CA (US)

(\*\*) Term: **15 Years**

(21) Appl. No.: **29/532,088**

(22) Filed: **Jul. 1, 2015**

(51) **LOC (10) Cl.** ..... **13-03**

(52) **U.S. Cl.**  
USPC ..... **D13/147**

(58) **Field of Classification Search**  
USPC ..... D13/133, 146, 147, 154, 184, 199;  
D14/432, 433, 435, 435.1, 436, 437, 438  
CPC ..... H01R 13/02; H01R 13/03; H01R 13/405;  
H01R 13/648; H01R 13/66; H01R 24/00;  
H01R 24/28; H01R 43/00  
See application file for complete search history.

(56) **References Cited**

**U.S. PATENT DOCUMENTS**

D572,249 S *	7/2008	Yang	.....	D14/435.1
D679,250 S *	4/2013	Choi	.....	D13/147
D704,578 S *	5/2014	Chen	.....	D10/70
D745,523 S *	12/2015	Magi	.....	D14/433
D753,090 S *	4/2016	Langhammer	.....	D14/203.3
D760,657 S *	7/2016	Hung	.....	D13/147

\* cited by examiner

*Primary Examiner* — Daniel Bui

(74) *Attorney, Agent, or Firm* — Lerner, David, Littenberg, Krumholz & Mentlik, LLP

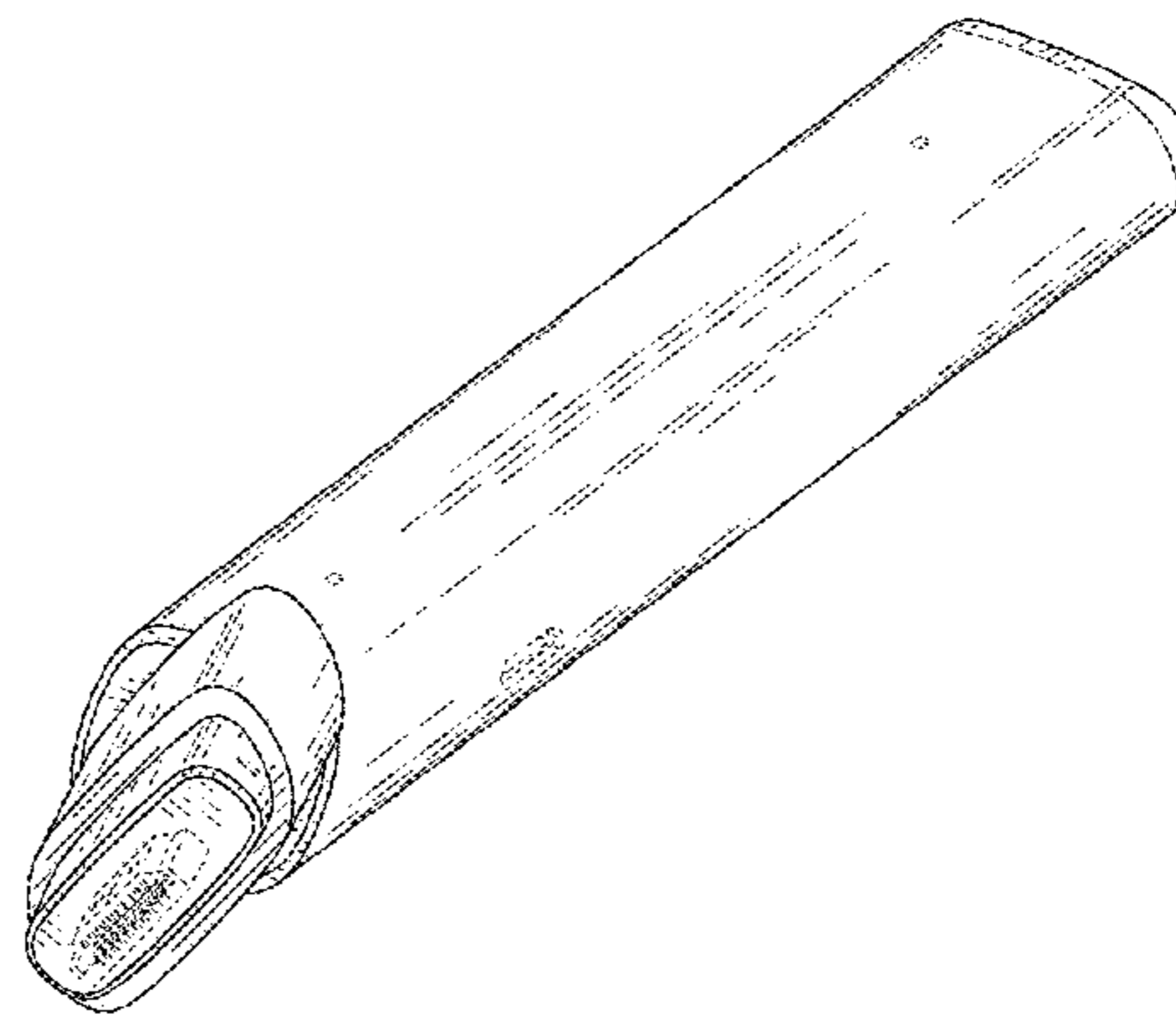
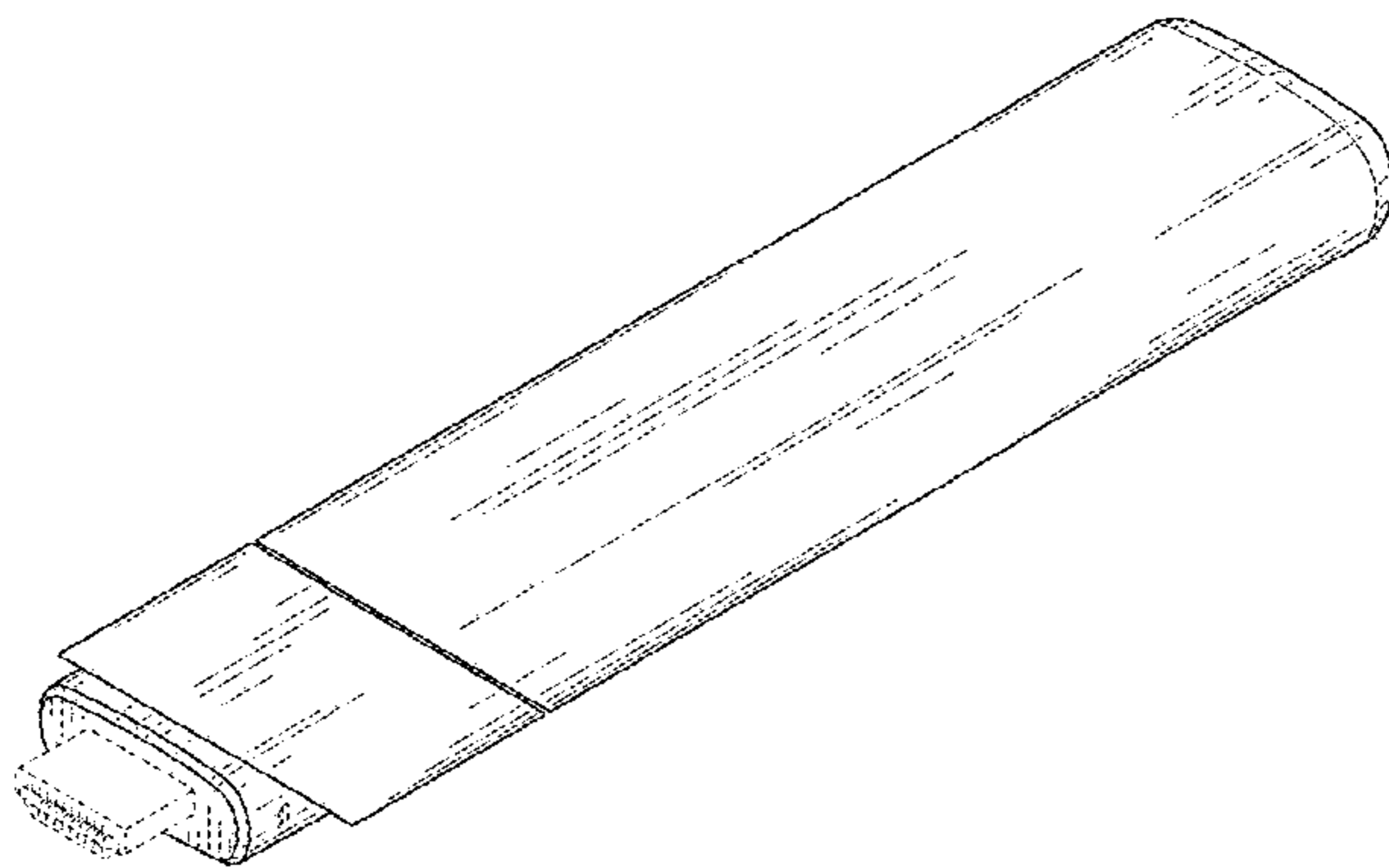
(57) **CLAIM**

The ornamental design for an electrical dongle, as shown and described.

**DESCRIPTION**

FIG. 1 is a front perspective view of an electrical dongle according to a first configuration, showing our new design; FIG. 2 is a front elevation view thereof; FIG. 3 is a rear elevation view thereof; FIG. 4 is a right side elevation view thereof; FIG. 5 is a left side elevation view thereof; FIG. 6 is a top plan view thereof; FIG. 7 is a bottom plan view thereof; FIG. 8 is a perspective view thereof shown in use condition; FIG. 9 is a front perspective view thereof according to a second configuration; FIG. 10 is a front elevation view thereof; FIG. 11 is a rear elevation view thereof; FIG. 12 is a right side elevation view thereof; FIG. 13 is a left side elevation view thereof; FIG. 14 is a top plan view thereof; FIG. 15 is a bottom plan view thereof; FIG. 16 is a front perspective view thereof according to a third configuration; FIG. 17 is a front elevation view thereof; FIG. 18 is a rear elevation view thereof; FIG. 19 is a right side elevation view thereof; FIG. 20 is a left side elevation view thereof; FIG. 21 is a top plan view thereof; FIG. 22 is a bottom plan view thereof; and, FIG. 23 is a perspective view thereof shown in use condition. The broken line shown in the drawing views represents unclaimed environmental only and forms no part of the claimed design.

**1 Claim, 13 Drawing Sheets**



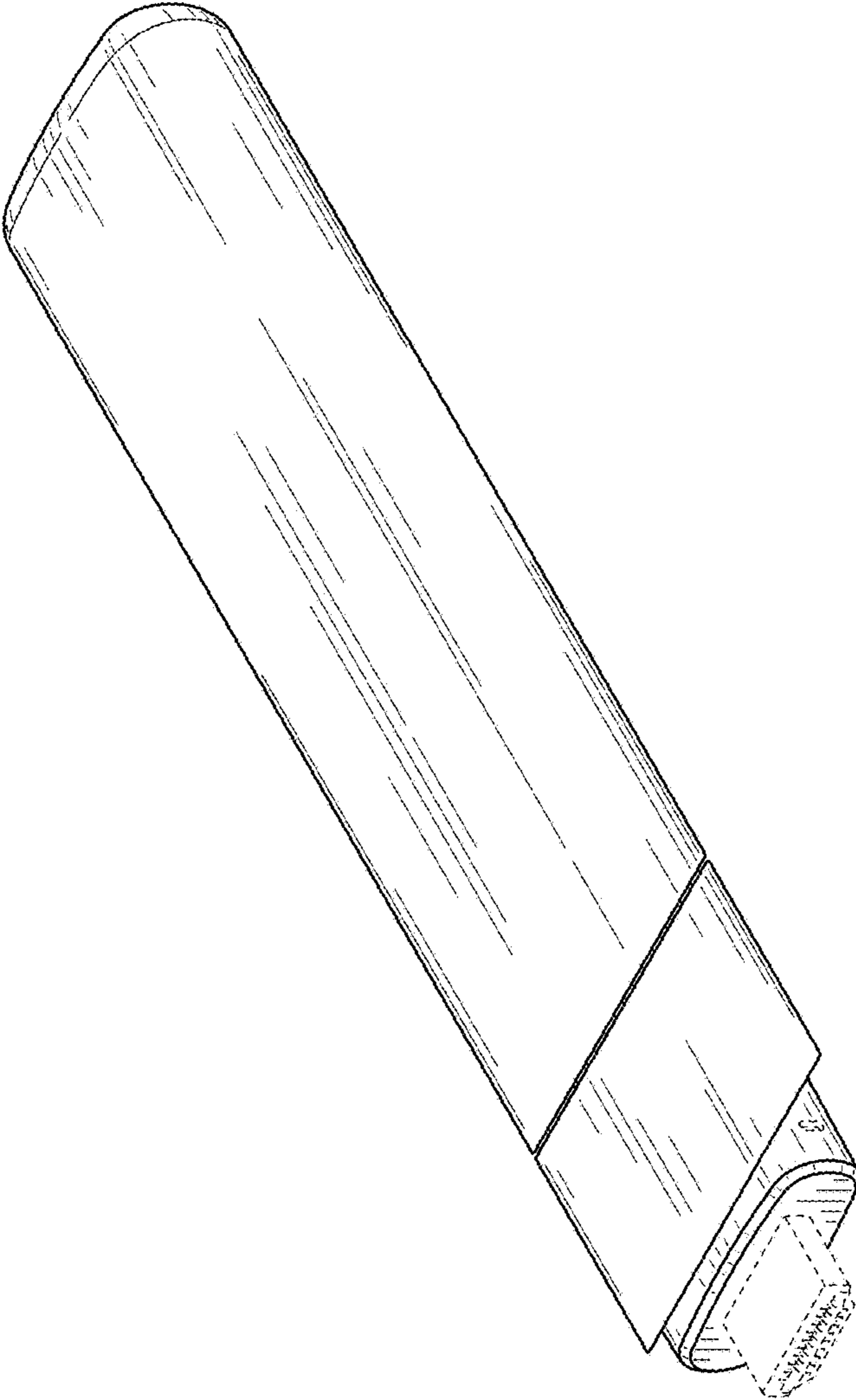


FIG. 1

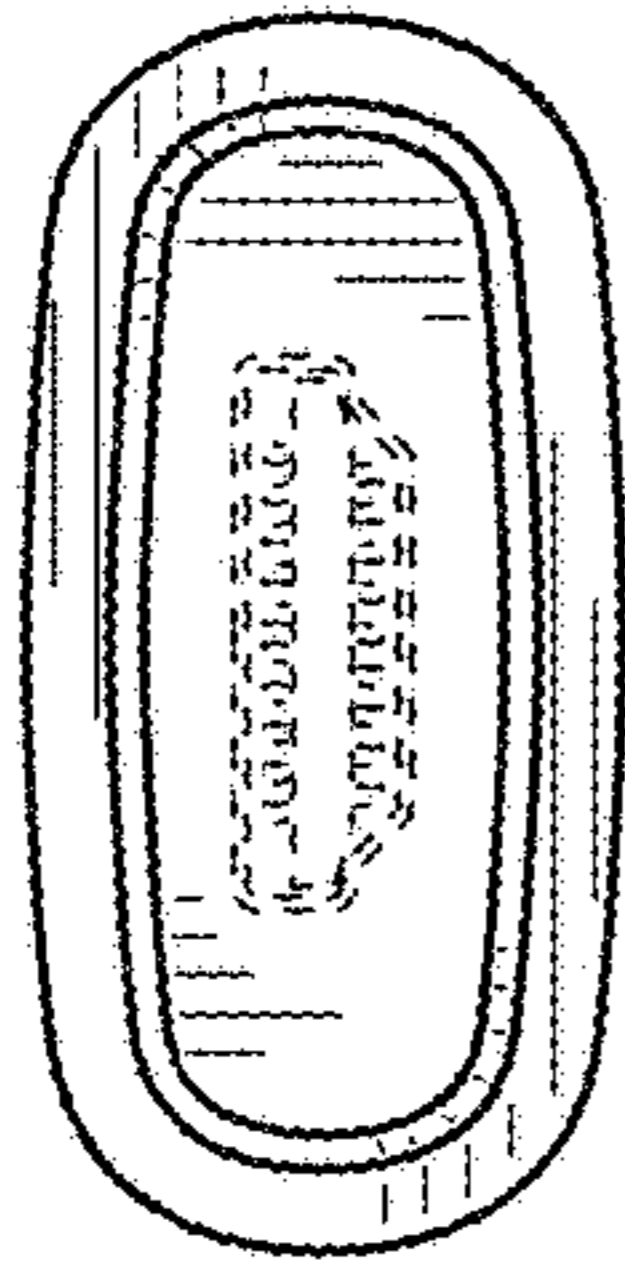


FIG. 2

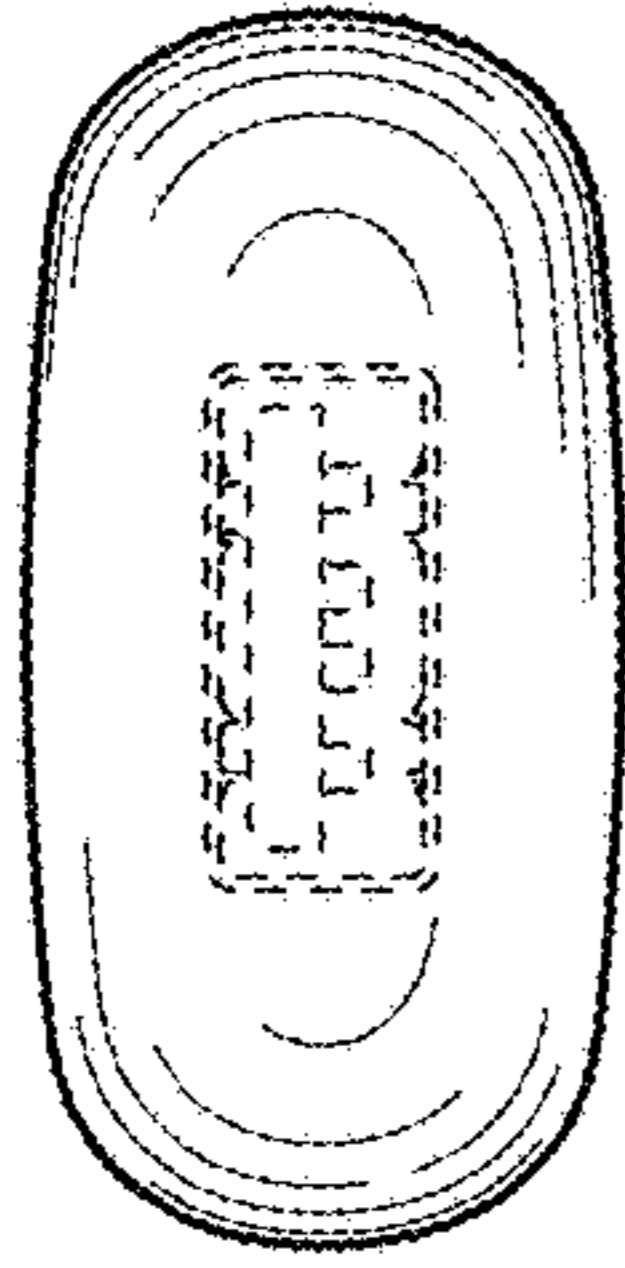


FIG. 3

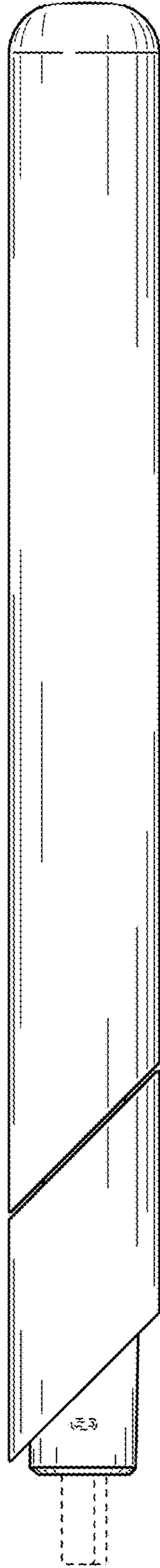


FIG. 4

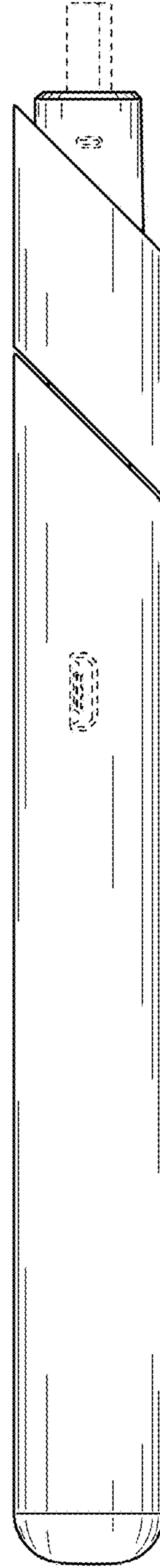


FIG. 5

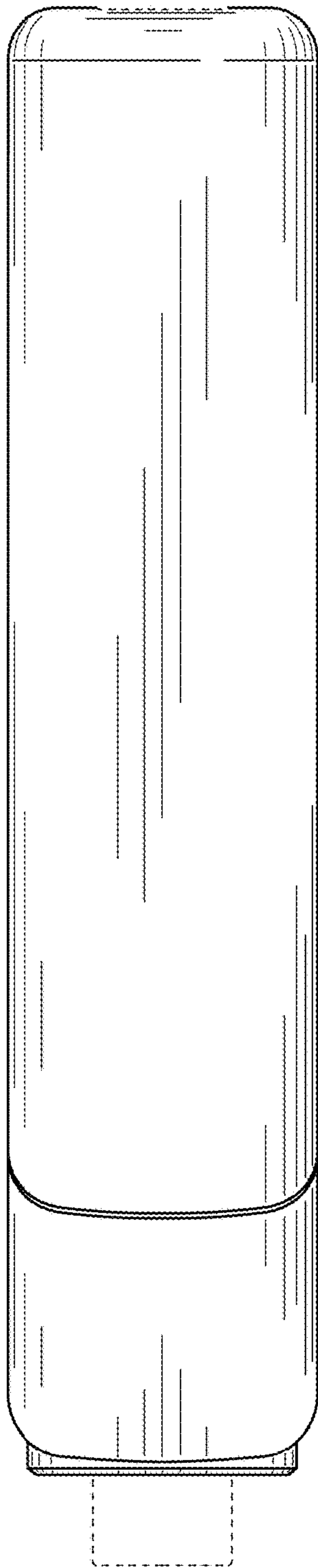


FIG. 6

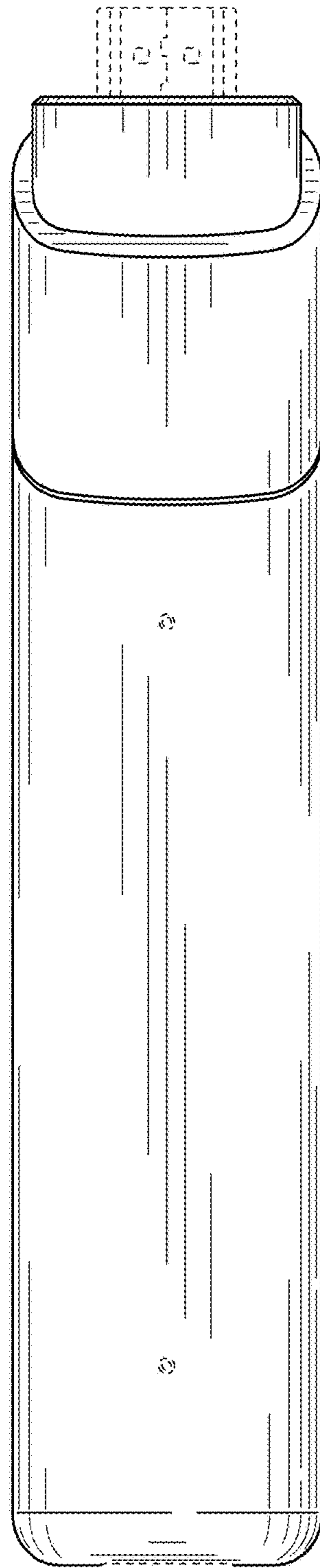


FIG. 7



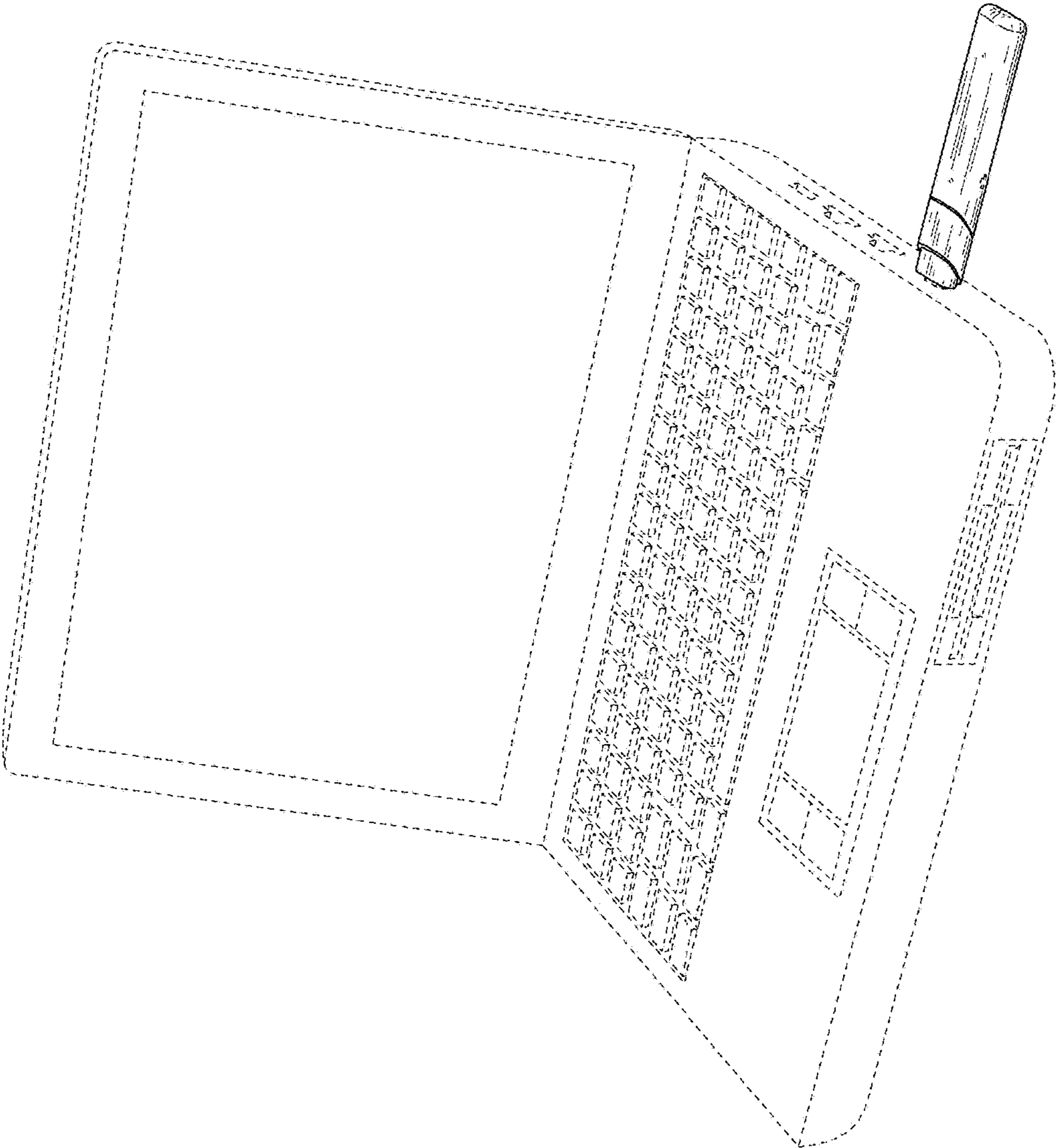


FIG. 8

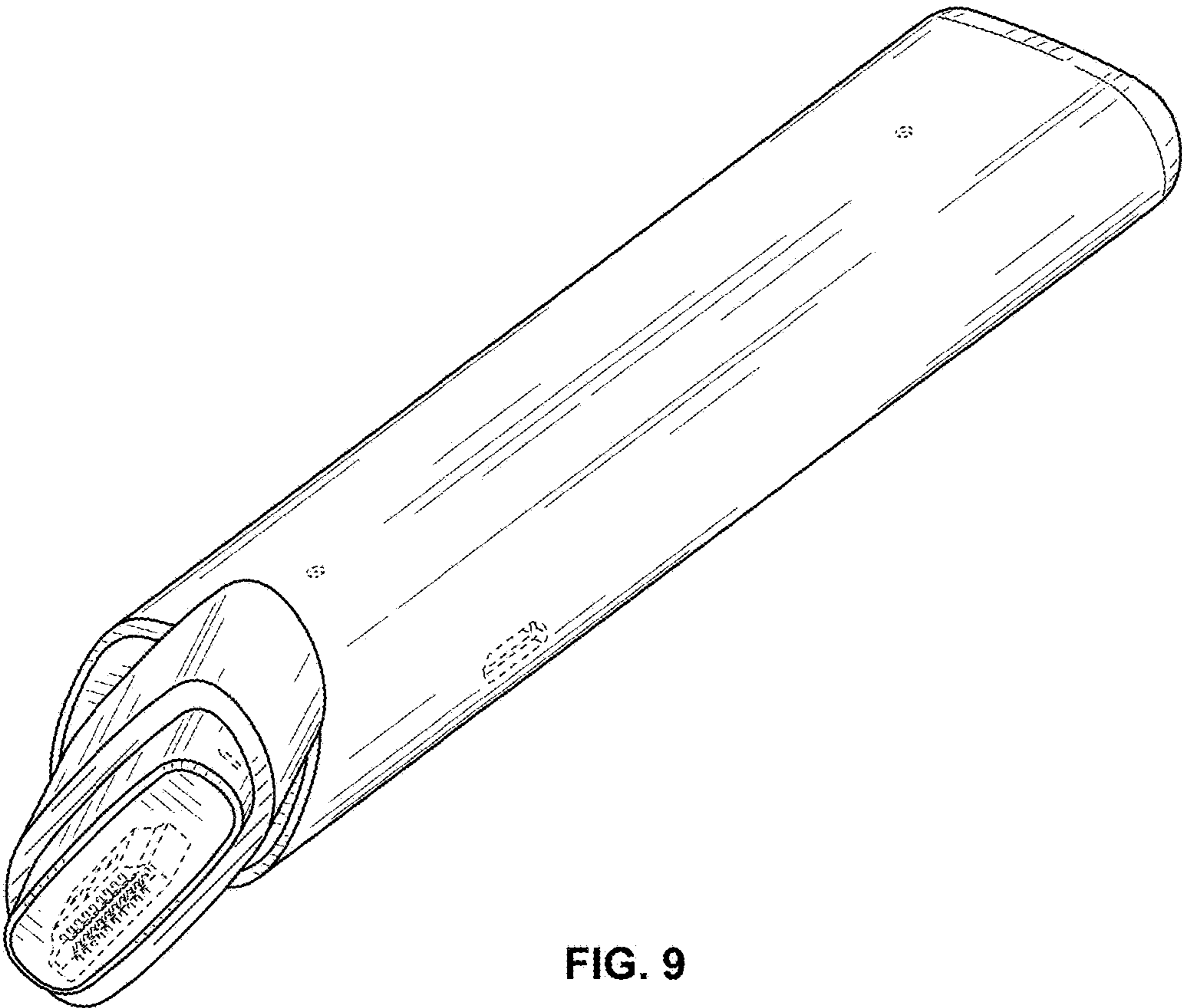


FIG. 9

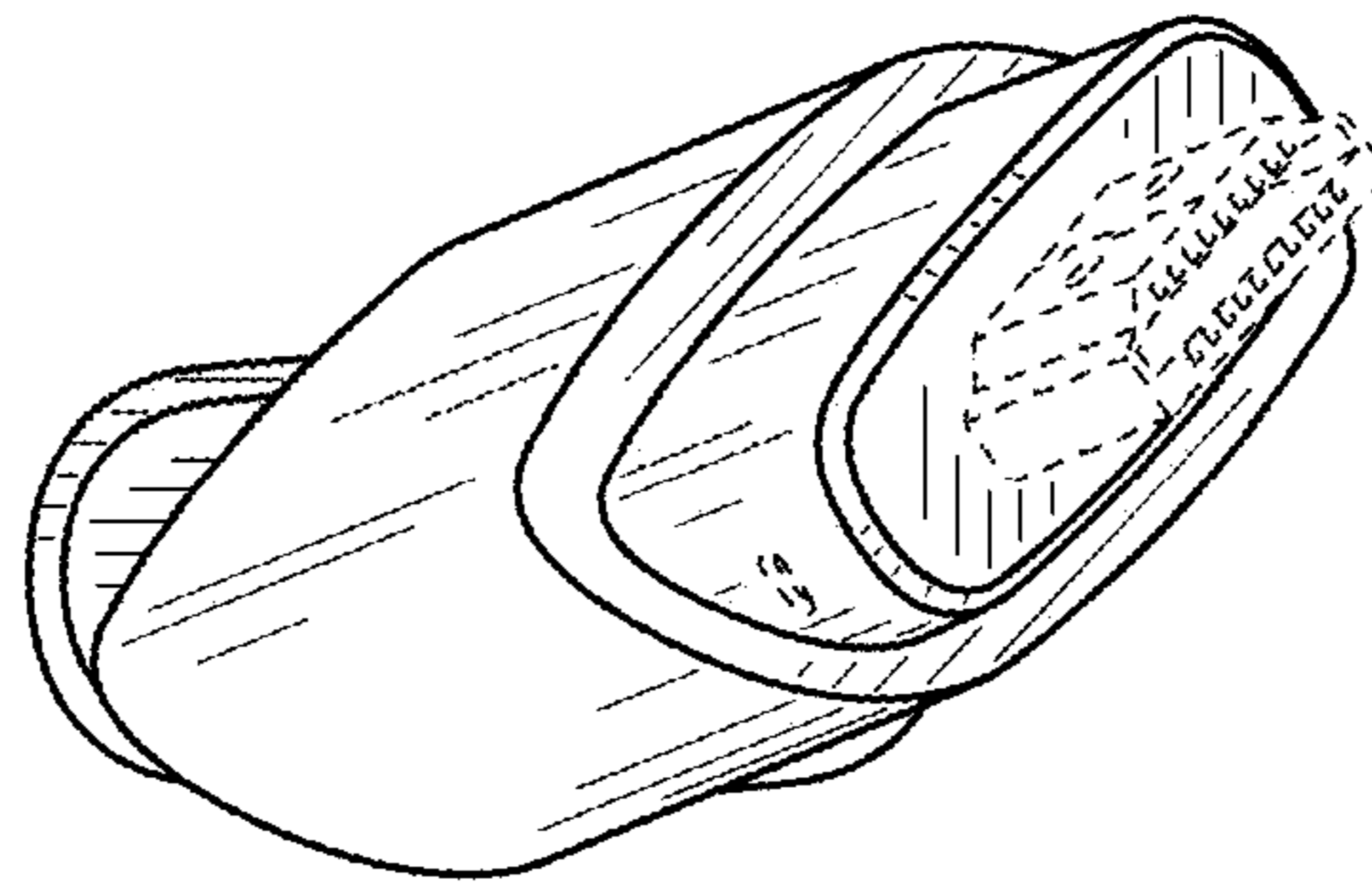


FIG. 10

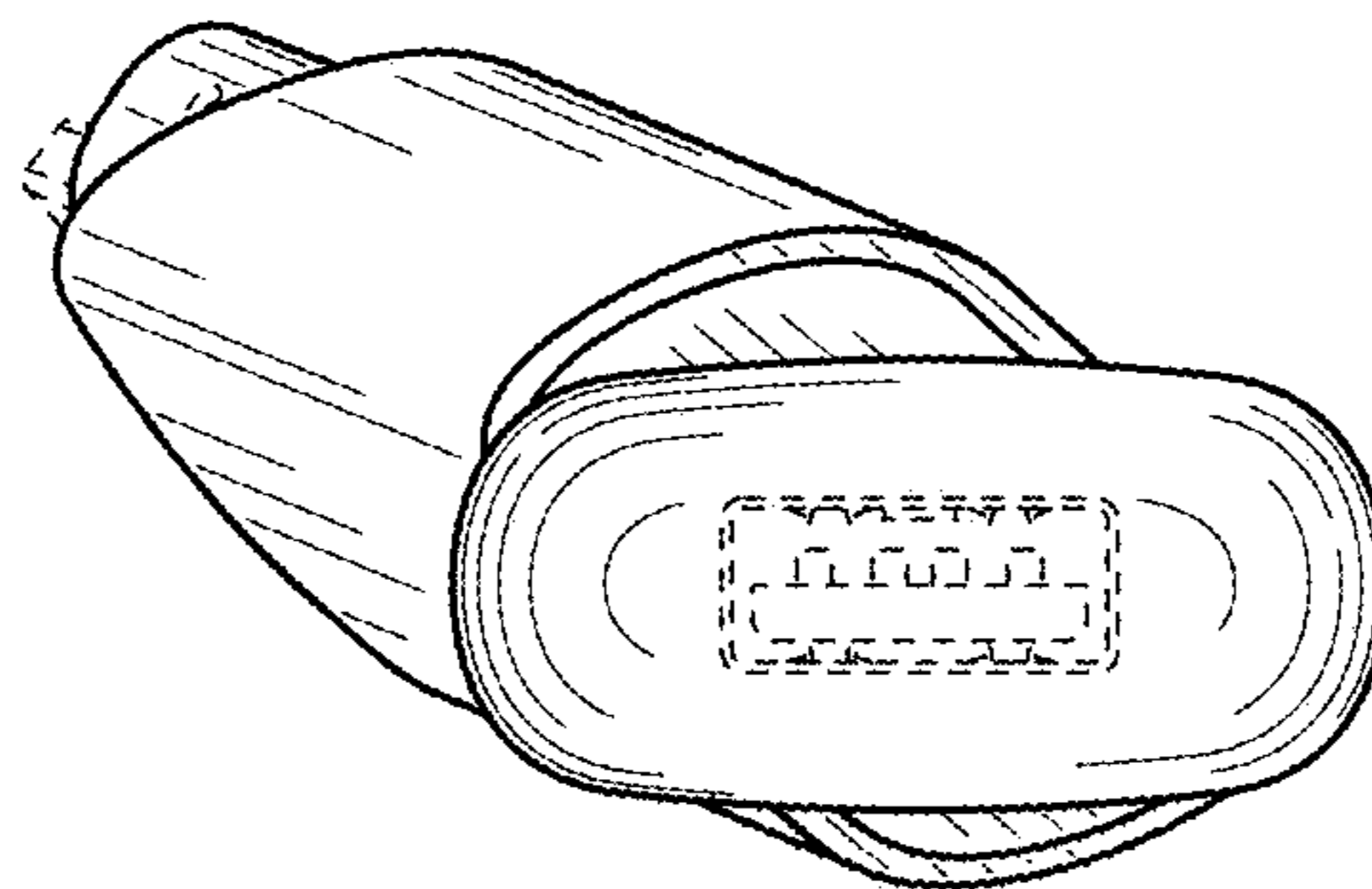


FIG. 11

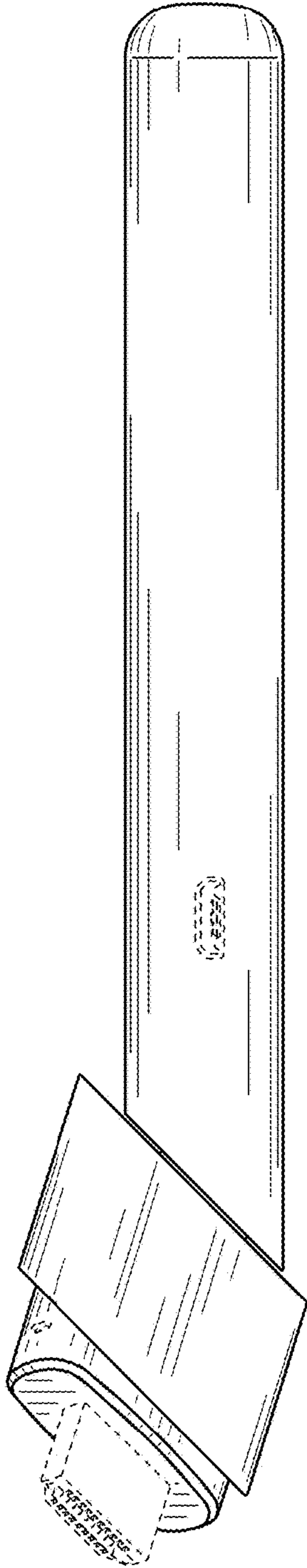


FIG. 12

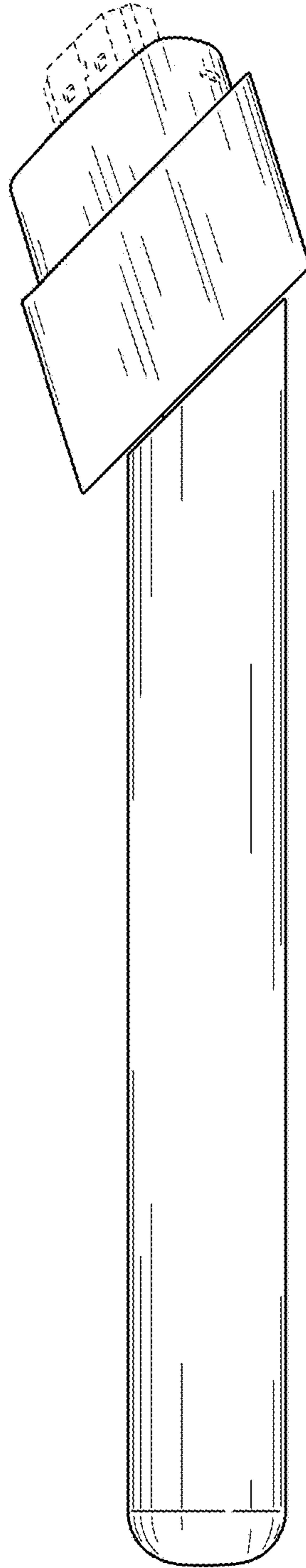


FIG. 13



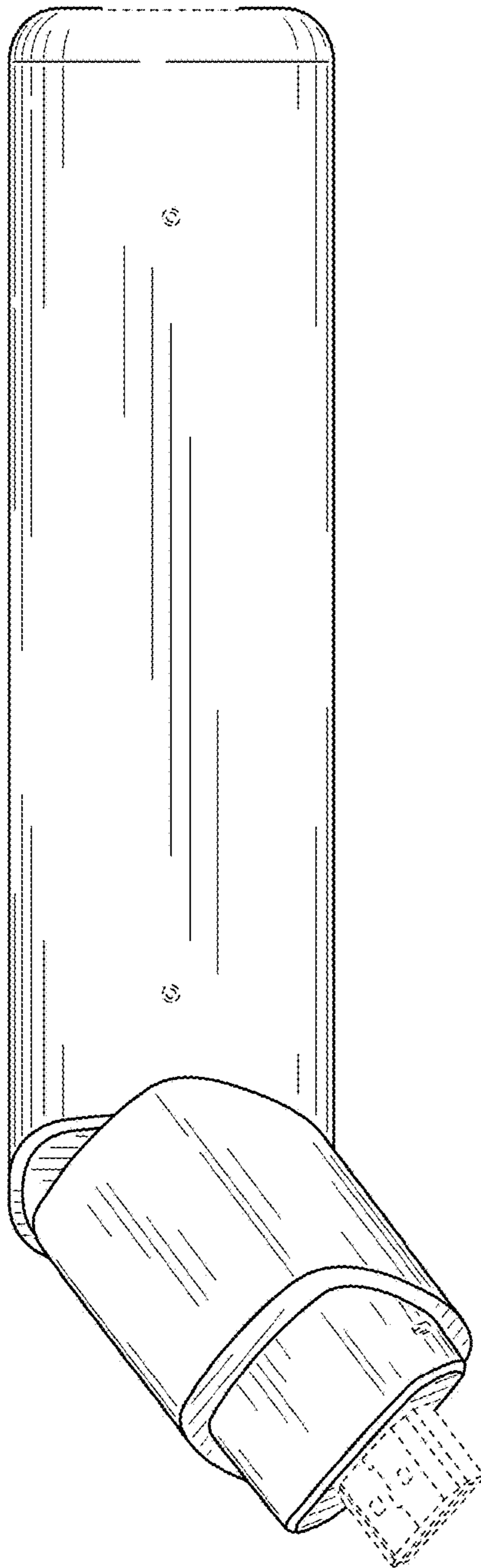


FIG. 14

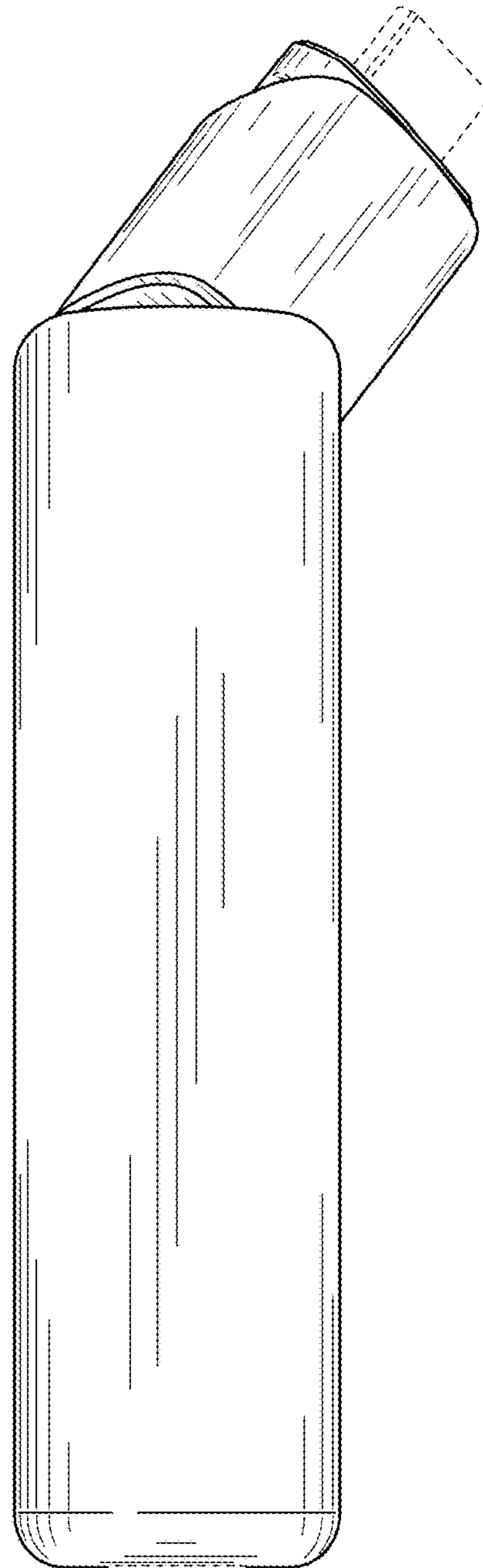


FIG. 15

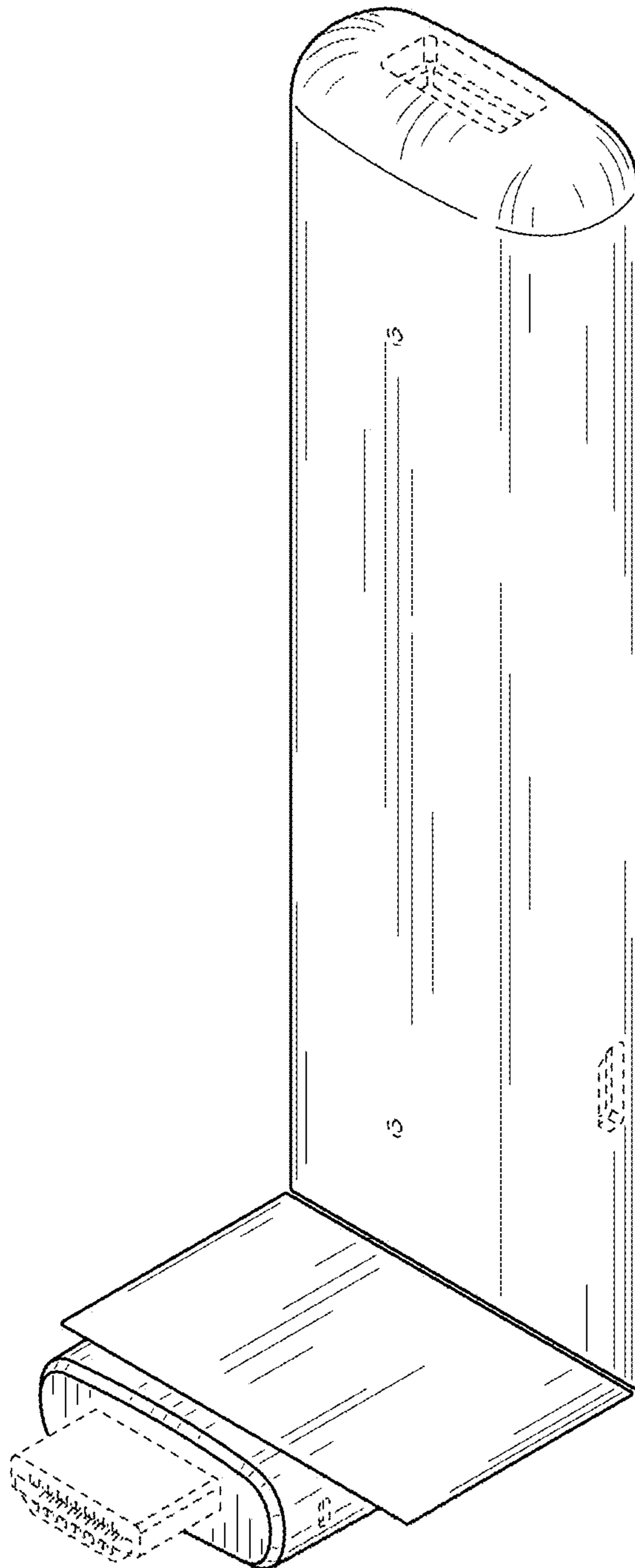


FIG. 16

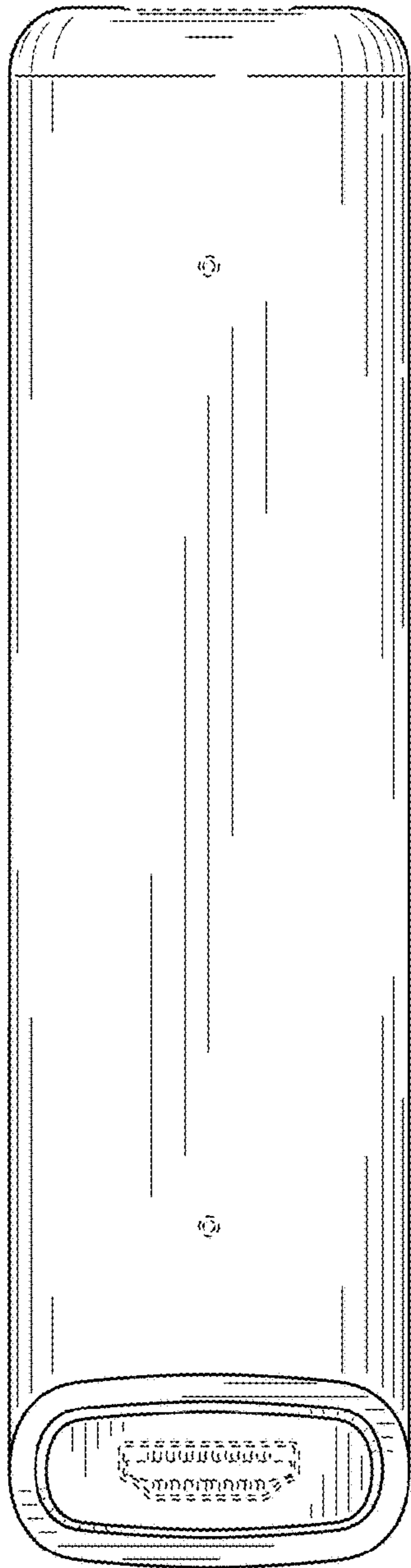


FIG. 17

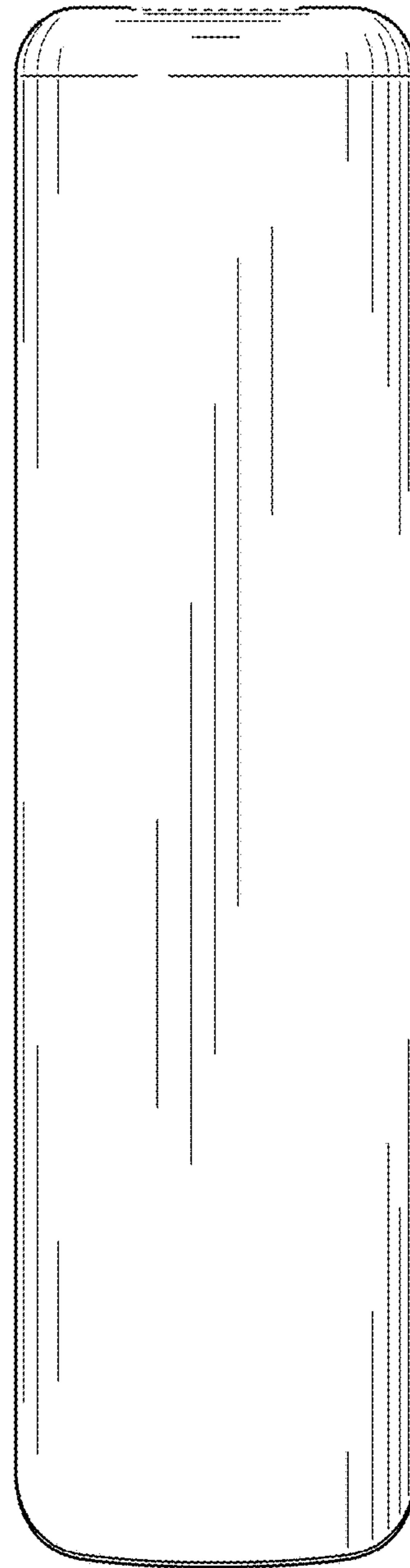


FIG. 18

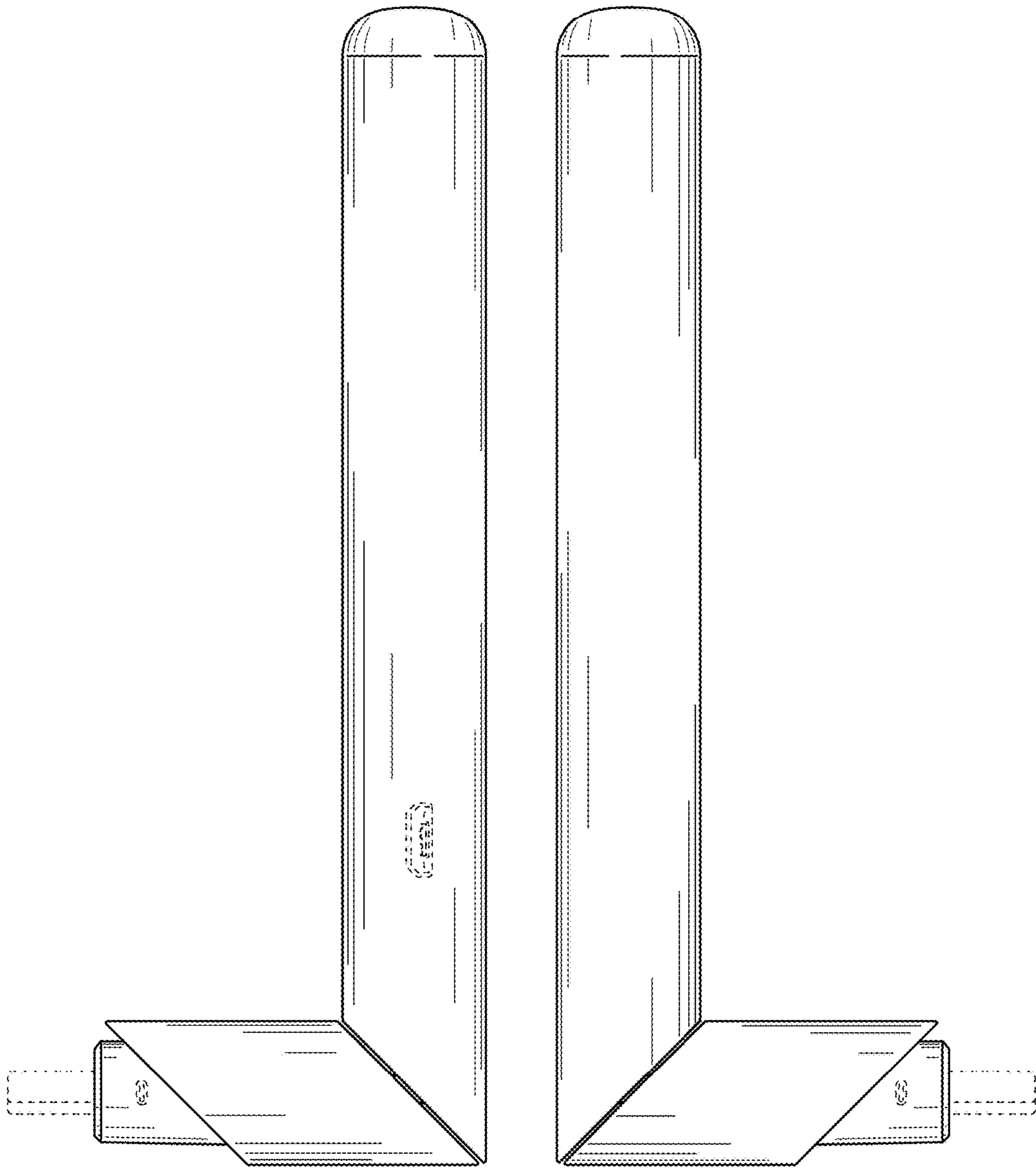


FIG. 19

FIG. 20

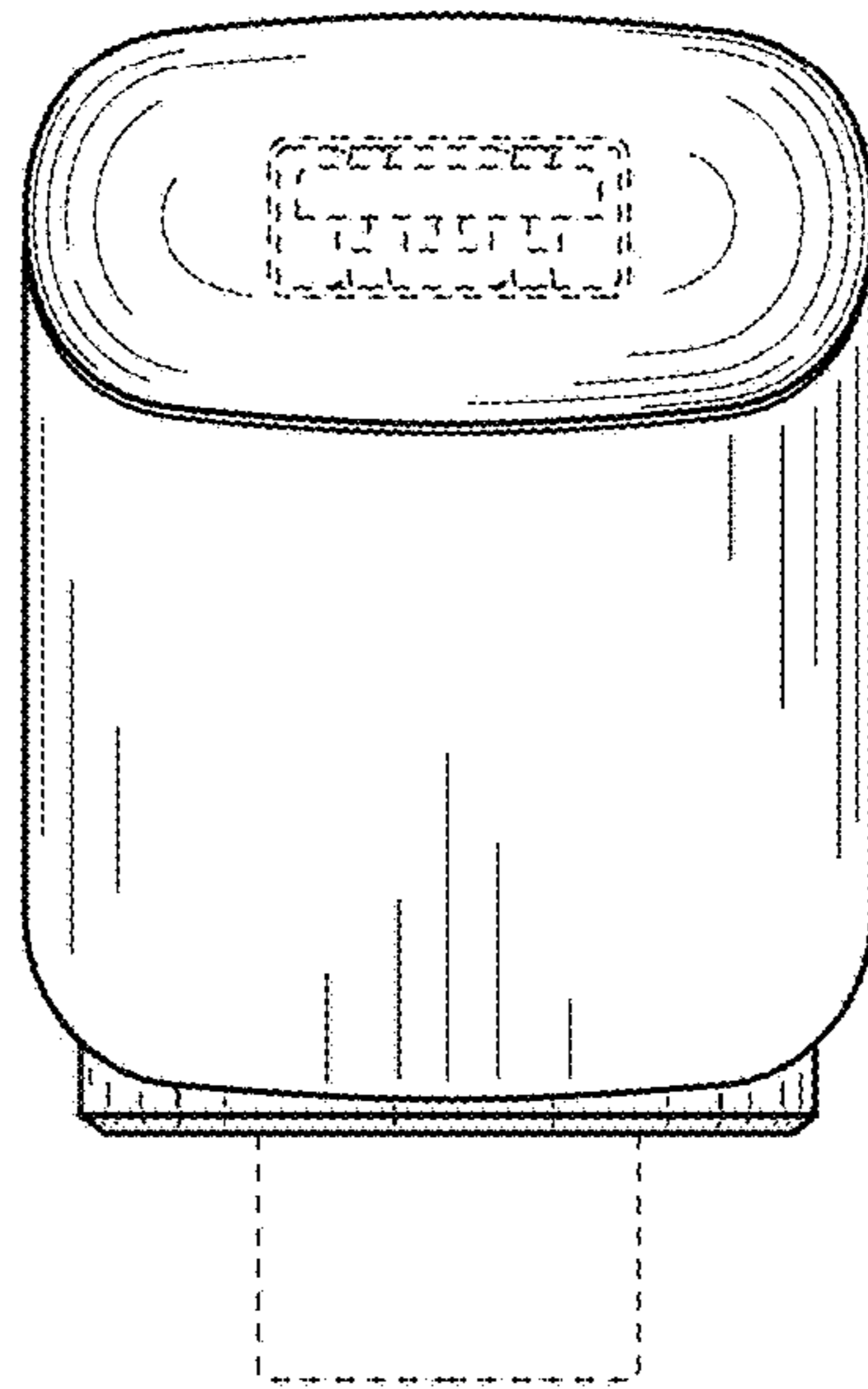


FIG. 21

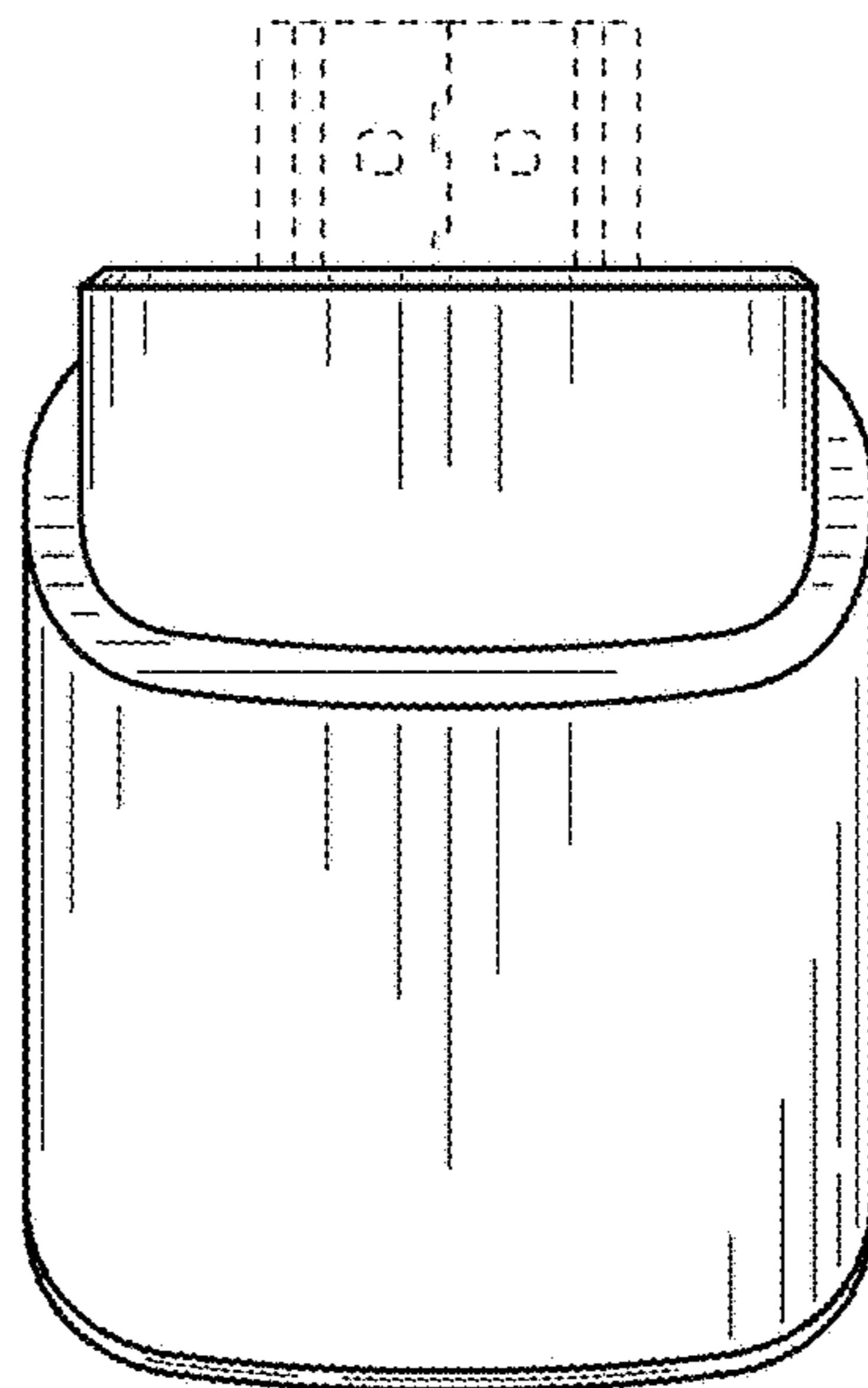


FIG. 22



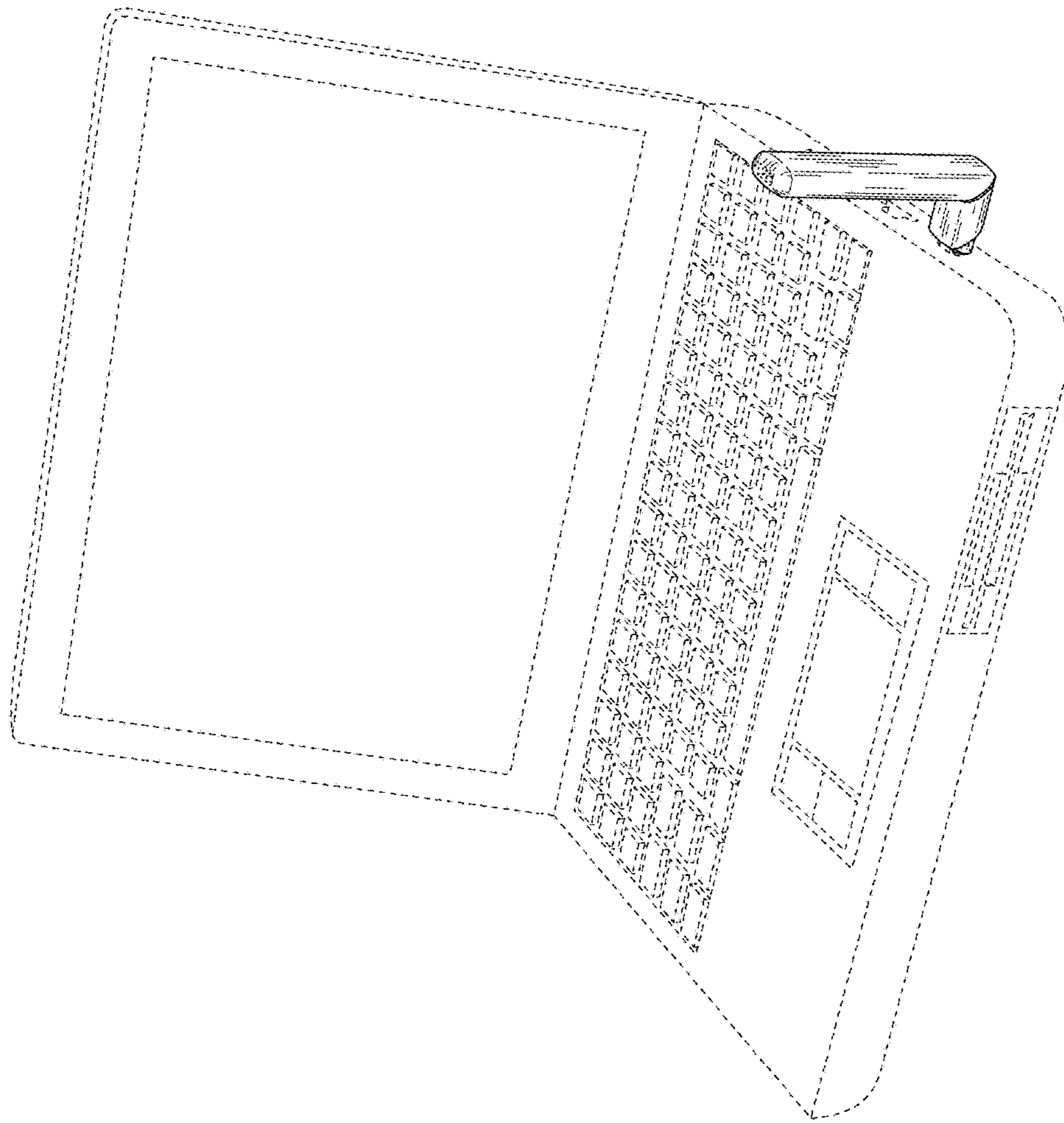


FIG. 23