



US00D789299S

(12) **United States Design Patent**  
**Suica et al.**

(10) **Patent No.:** **US D789,299 S**  
(45) **Date of Patent:** **\*\* Jun. 13, 2017**

- (54) **ELECTRICAL RECEPTACLE TESTER**
- (71) Applicant: **Hubbell Incorporated**, Shelton, CT (US)
- (72) Inventors: **Samuel Thomas Suica**, Las Vegas, NV (US); **Thomas L. Scanzillo**, Monroe, CT (US)
- (73) Assignee: **Hubbell Incorporated**, Shelton, CT (US)
- (\*\*) Term: **15 Years**
- (21) Appl. No.: **29/578,402**
- (22) Filed: **Sep. 21, 2016**

**Related U.S. Application Data**

- (62) Division of application No. 29/504,596, filed on Oct. 7, 2014, now Pat. No. Des. 770,385.
- (51) **LOC (10) Cl.** ..... **13-03**
- (52) **U.S. Cl.**  
USPC ..... **D13/146**
- (58) **Field of Classification Search**  
USPC ..... D13/133, 146, 147, 154, 184, 199  
CPC ..... H01R 13/58; H01R 13/62; G01R 19/145;  
G01R 31/04; G01R 31/041  
See application file for complete search history.

(56) **References Cited**

**U.S. PATENT DOCUMENTS**

3,945,702 A	3/1976	Poliak
4,003,622 A	1/1977	Gartland
4,929,887 A	5/1990	Robitaille et al.
D371,112 S	6/1996	Anthony
D372,221 S	7/1996	Anthony
5,641,310 A	6/1997	Tiberio

6,462,555 B1	10/2002	Schaefer	
6,982,558 B2	1/2006	Bryndzia et al.	
7,030,624 B1	4/2006	Love	
7,248,056 B2	7/2007	Waldschmidt	
D615,496 S *	5/2010	Mennekes	D13/133
D667,792 S	9/2012	Angel	
D702,183 S	4/2014	Benedict	
D770,385 S *	11/2016	Suica	D13/146
2003/0114042 A1	6/2003	Mortun	
2016/0097802 A1 *	4/2016	Suica	G01R 31/041 324/508

\* cited by examiner

*Primary Examiner* — Daniel Bui

(74) *Attorney, Agent, or Firm* — Wissing Miller LLP

(57) **CLAIM**

The ornamental design for an electrical receptacle tester, as shown and described.

**DESCRIPTION**

FIG. 1 is a top, first side perspective view of an embodiment of the new design for an electrical receptacle tester in accordance with the present invention;

FIG. 2 is a top, second side perspective view of the electrical receptacle tester shown in FIG. 1;

FIG. 3 is a side elevational view of the first side of the electrical receptacle tester shown in FIG. 1;

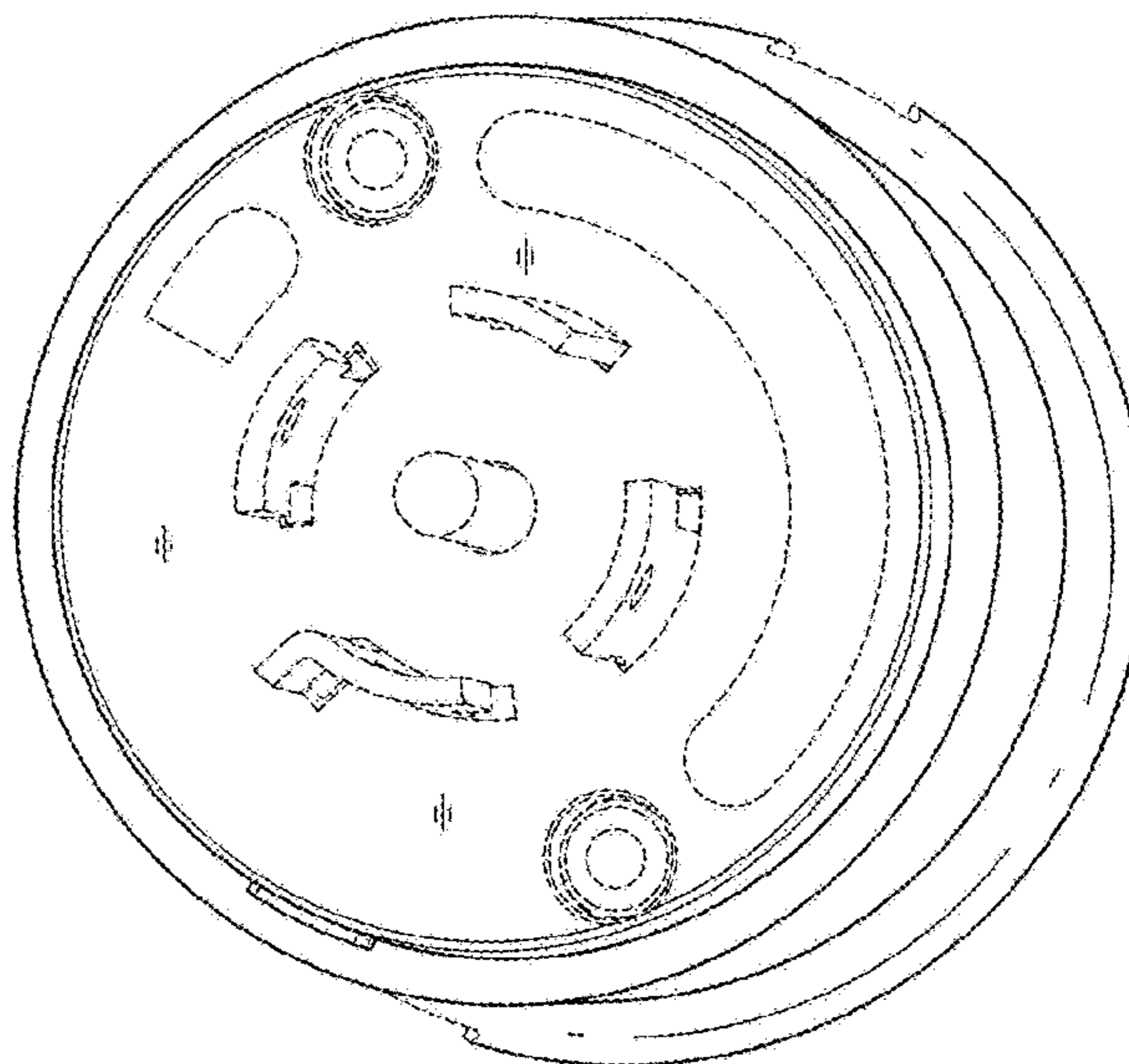
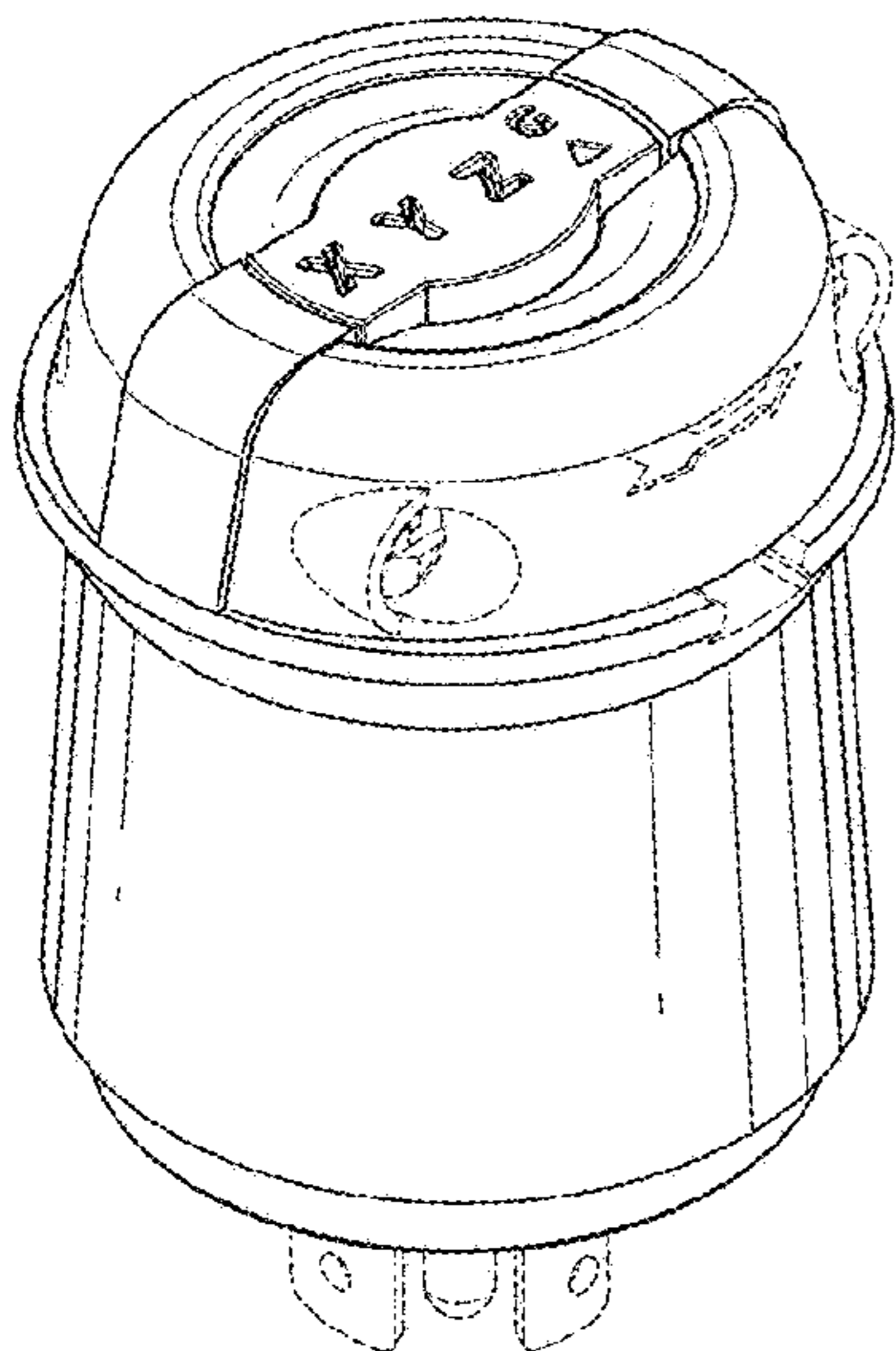
FIG. 4 is a bottom perspective view of the electrical receptacle tester shown in FIG. 1;

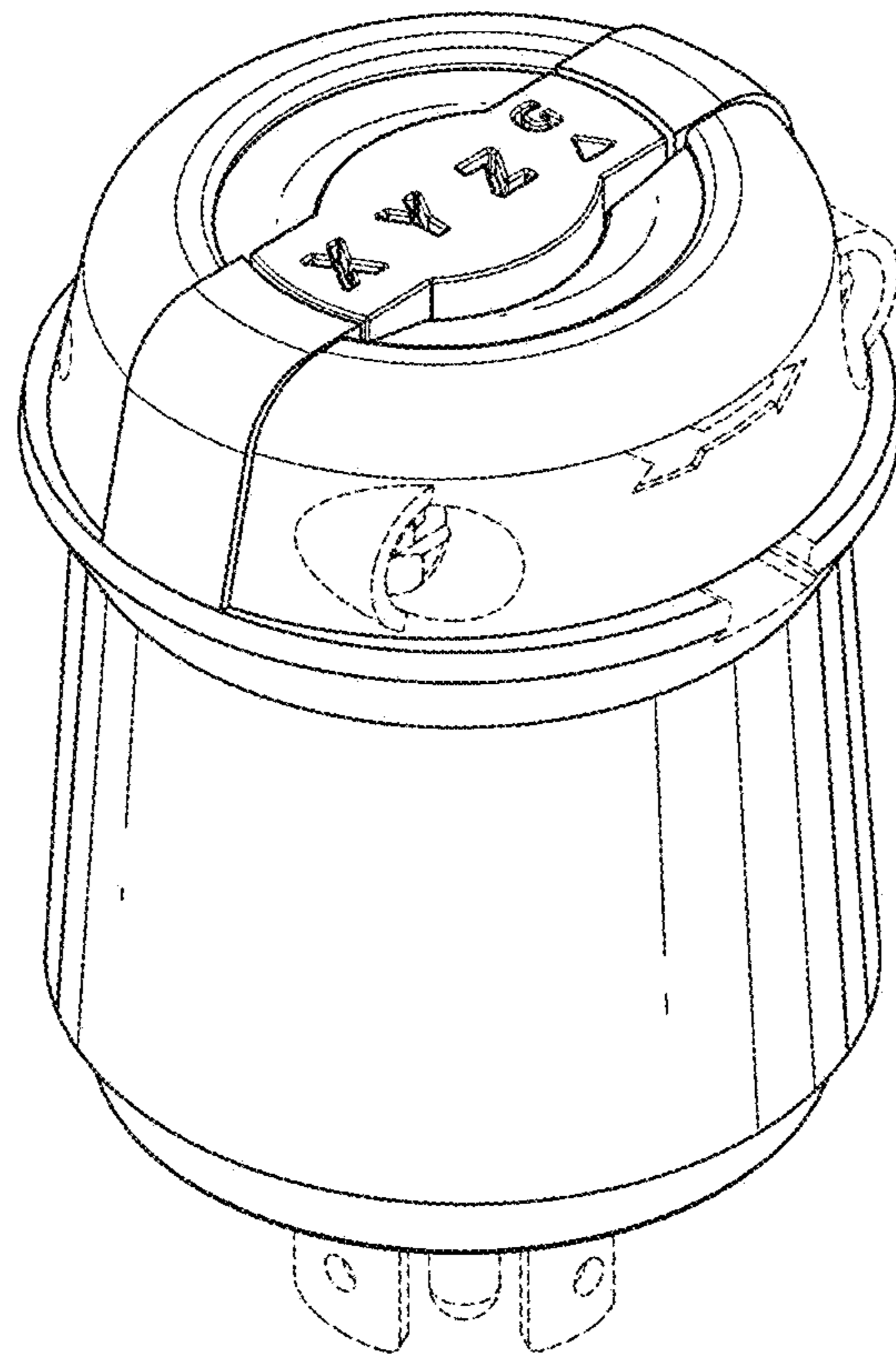
FIG. 5 is a top view of the electrical receptacle tester shown in FIG. 1; and,

FIG. 6 is another embodiment of a top view of the electrical receptacle tester shown in FIG. 1.

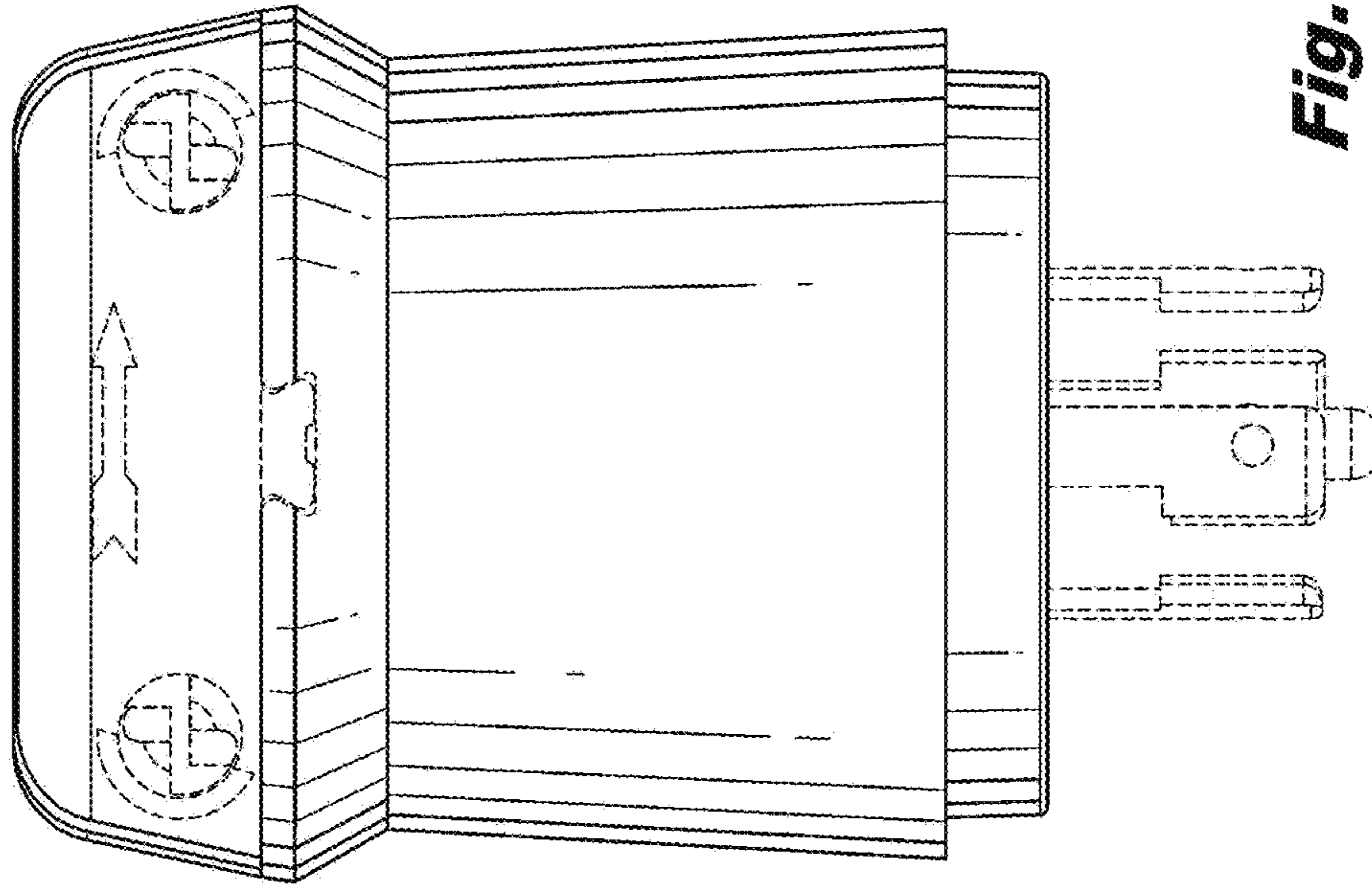
The broken lines within the various embodiments of the claimed design and the spaces therein are for environmental purposes only and form no part of the claimed design.

**1 Claim, 4 Drawing Sheets**

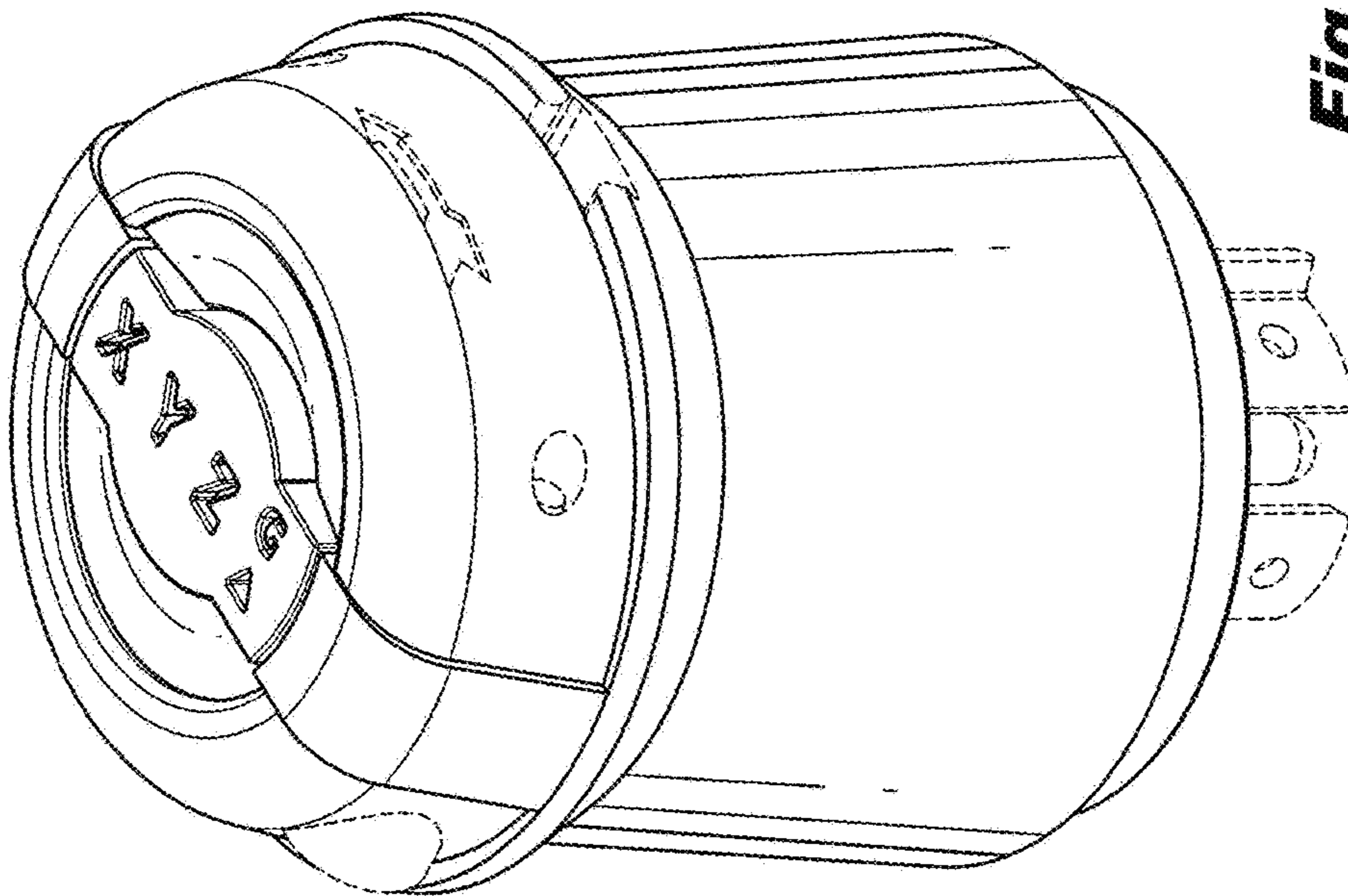




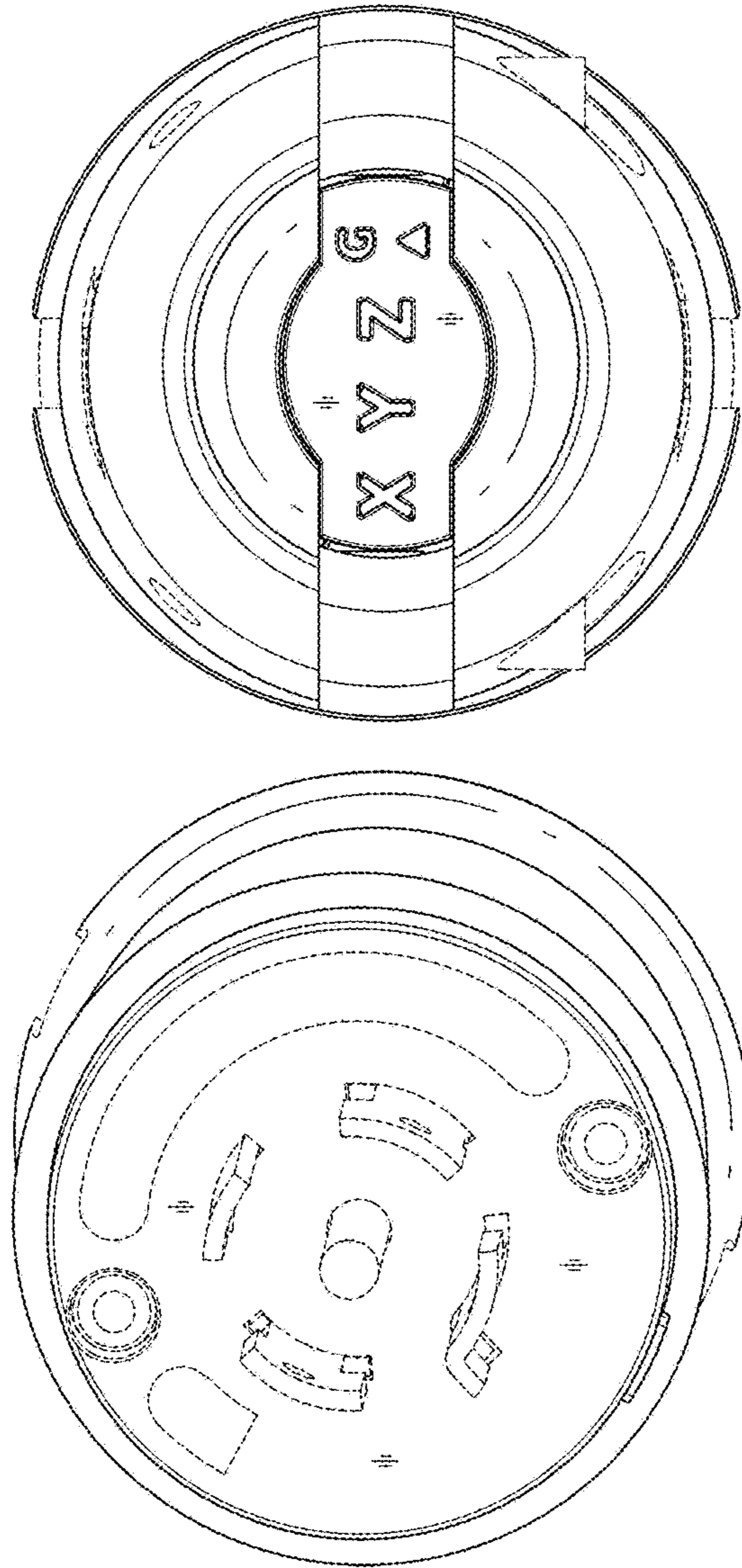
**Fig. 1**



**Fig. 3**

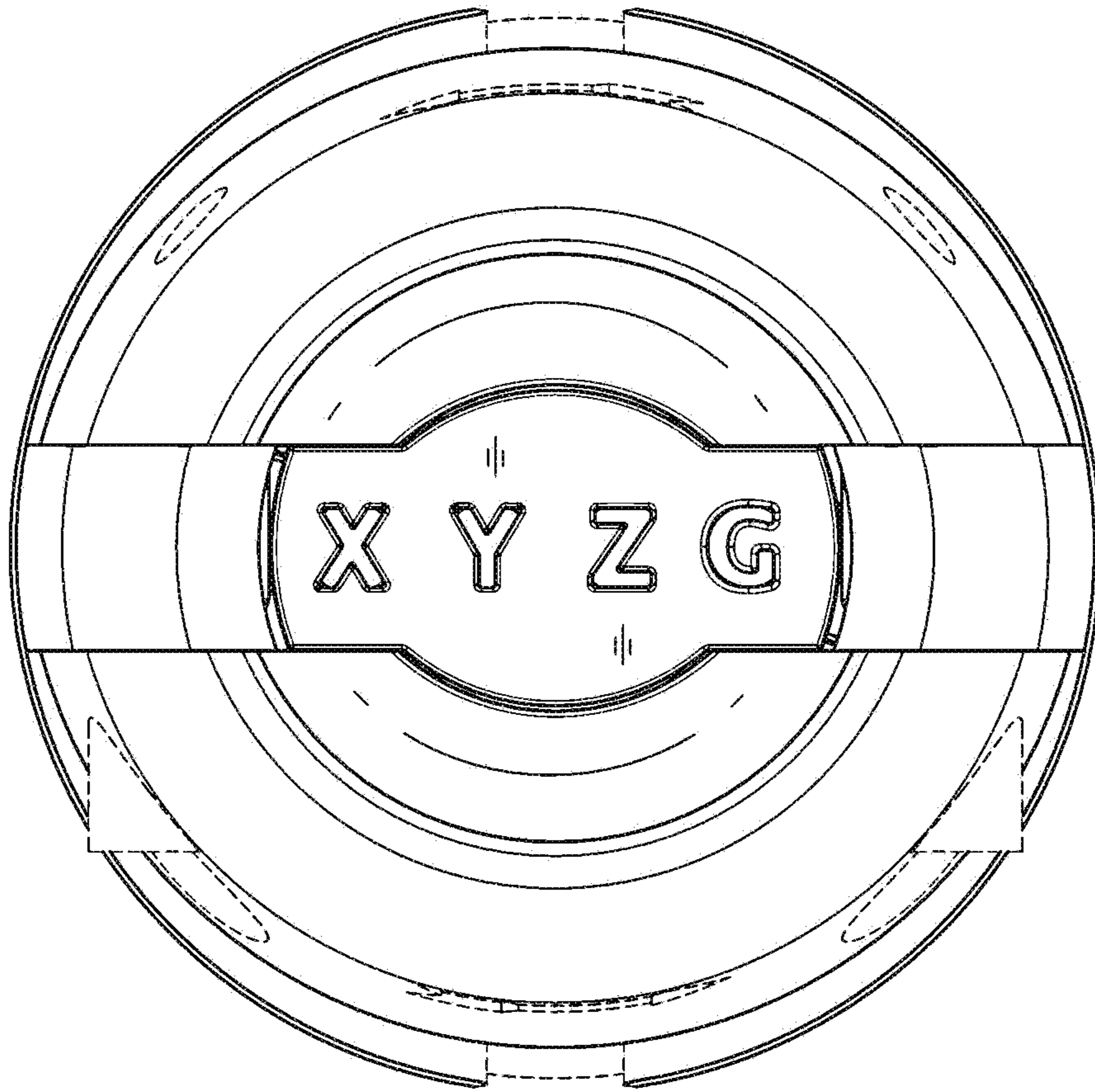


**Fig. 2**



**Fig. 5**

**Fig. 4**



**Fig. 6**