



US00D789295S

(12) **United States Design Patent**
Nuk et al.

(10) **Patent No.:** **US D789,295 S**
(45) **Date of Patent:** **** Jun. 13, 2017**

(54) **CHARGER FOR ELECTRONIC DEVICE**
(71) Applicant: **SAMSUNG ELECTRONICS CO., LTD.**, Suwon-si (KR)
(72) Inventors: **Howard Nuk**, San Francisco, CA (US); **Jinseok Hwang**, Walnut Creek, CA (US); **Seounghyun Son**, San Francisco, CA (US); **Jeff Jones**, San Francisco, CA (US)

(73) Assignee: **Samsung Electronics Co., Ltd.**, Suwon-si (KR)

(**) Term: **15 Years**

(21) Appl. No.: **29/566,608**

(22) Filed: **Jun. 1, 2016**

(51) **LOC (10) Cl.** **13-02**

(52) **U.S. Cl.**
USPC **D13/108**

(58) **Field of Classification Search**
USPC D13/107-110, 118, 119, 184; D14/251, D14/253, 432, 434
CPC Y02E 60/12; Y02T 90/14; Y02T 90/122; Y02T 90/128; Y02T 90/163; H02J 7/025; H02J 7/0042; H02J 7/0044; H02J 7/0045; H02J 7/0003; H01F 38/14; H01R 13/6675; H01M 2/1022; H01M 2/1055; H01M 10/44; H01M 10/46; H01M 10/425; B60L 11/182
See application file for complete search history.

(56) **References Cited**

U.S. PATENT DOCUMENTS

D460,971 S * 7/2002 Sica D14/434
D522,999 S * 6/2006 Smith-Adams D14/191

D600,680 S * 9/2009 Mead D13/108
D644,645 S * 9/2011 Huang D14/434
D691,947 S * 10/2013 Cole D13/108
D697,476 S * 1/2014 Jeong D13/108
D736,210 S * 8/2015 Paradise D14/434
2002/0117996 A1* 8/2002 Cheng H02G 11/02
320/114
2013/0027871 A1* 1/2013 Cheng G06F 1/1632
361/679.41
2014/0340028 A1* 11/2014 Xiao H02J 7/0044
320/108
2015/0185773 A1* 7/2015 Vroom G06F 1/1632
361/679.41
2015/0188356 A1* 7/2015 Chen H02J 7/025
320/108
2015/0303727 A1* 10/2015 Jeong H02J 7/0044
320/103

* cited by examiner

Primary Examiner — Rosemary K Tarcza

Assistant Examiner — Alison Ofstun

(74) *Attorney, Agent, or Firm* — NSIP Law

(57) **CLAIM**

We claim the ornamental design for a charger for electronic device, as shown and described.

DESCRIPTION

FIG. 1 is a front perspective view of a charger for electronic device showing our new design;
FIG. 2 is a front view thereof;
FIG. 3 is a rear view thereof;
FIG. 4 is a left-side view thereof;
FIG. 5 is a right-side view thereof;
FIG. 6 is a top plan view thereof; and,
FIG. 7 is a bottom plan view thereof.
The broken lines in the figures depict environmental subject matter and form no part of the claimed design.

1 Claim, 7 Drawing Sheets

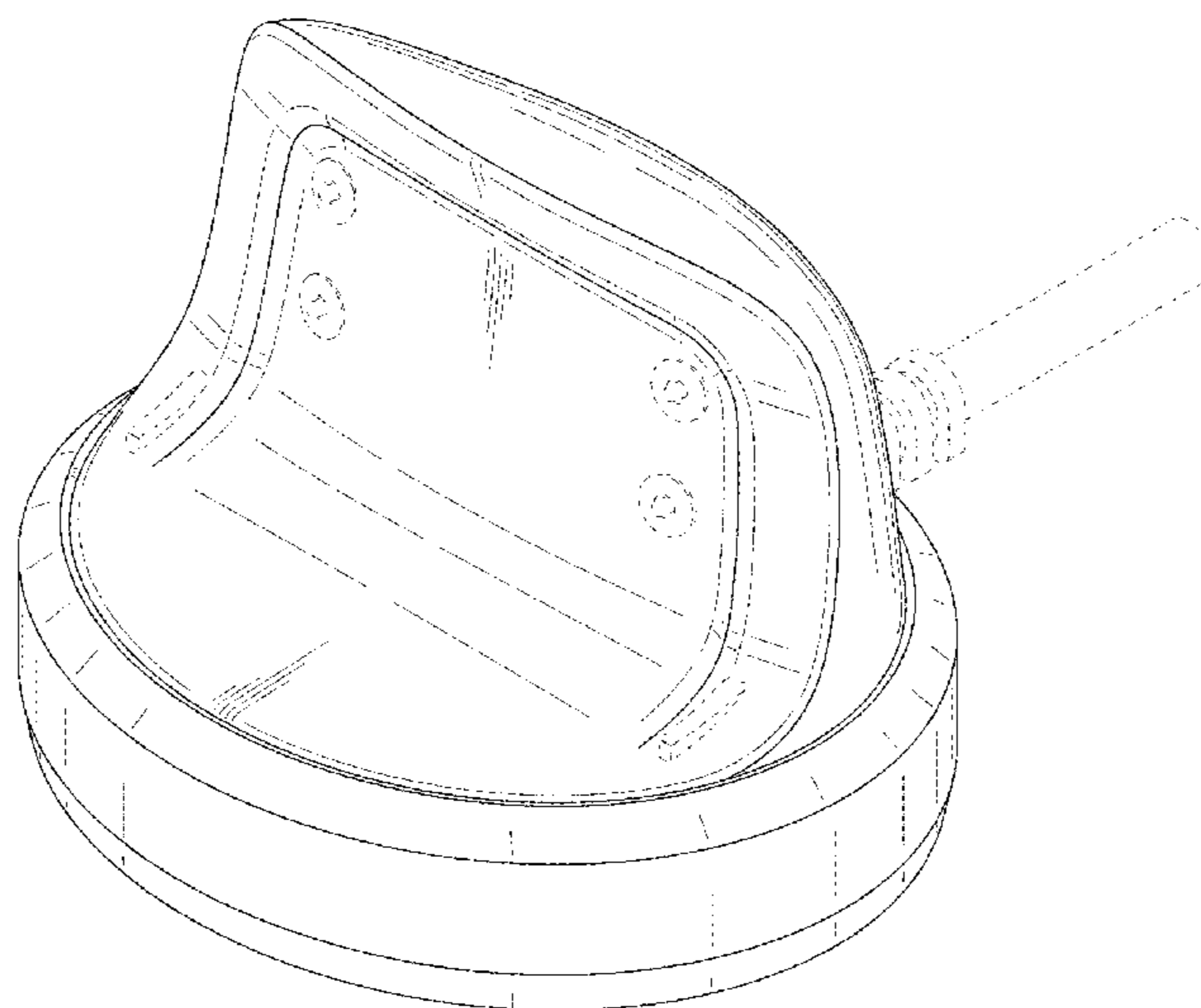


FIG. 1

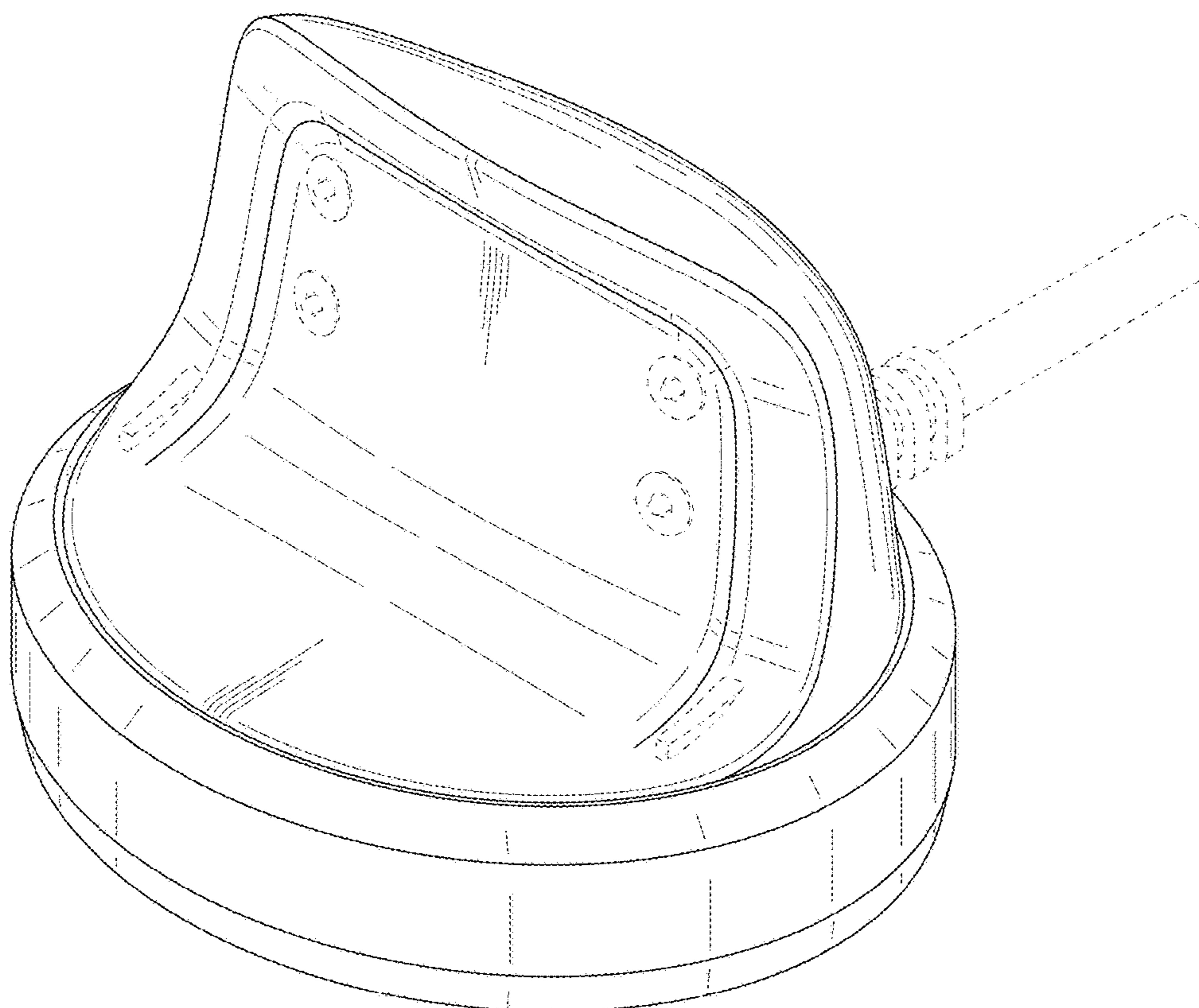


FIG. 2

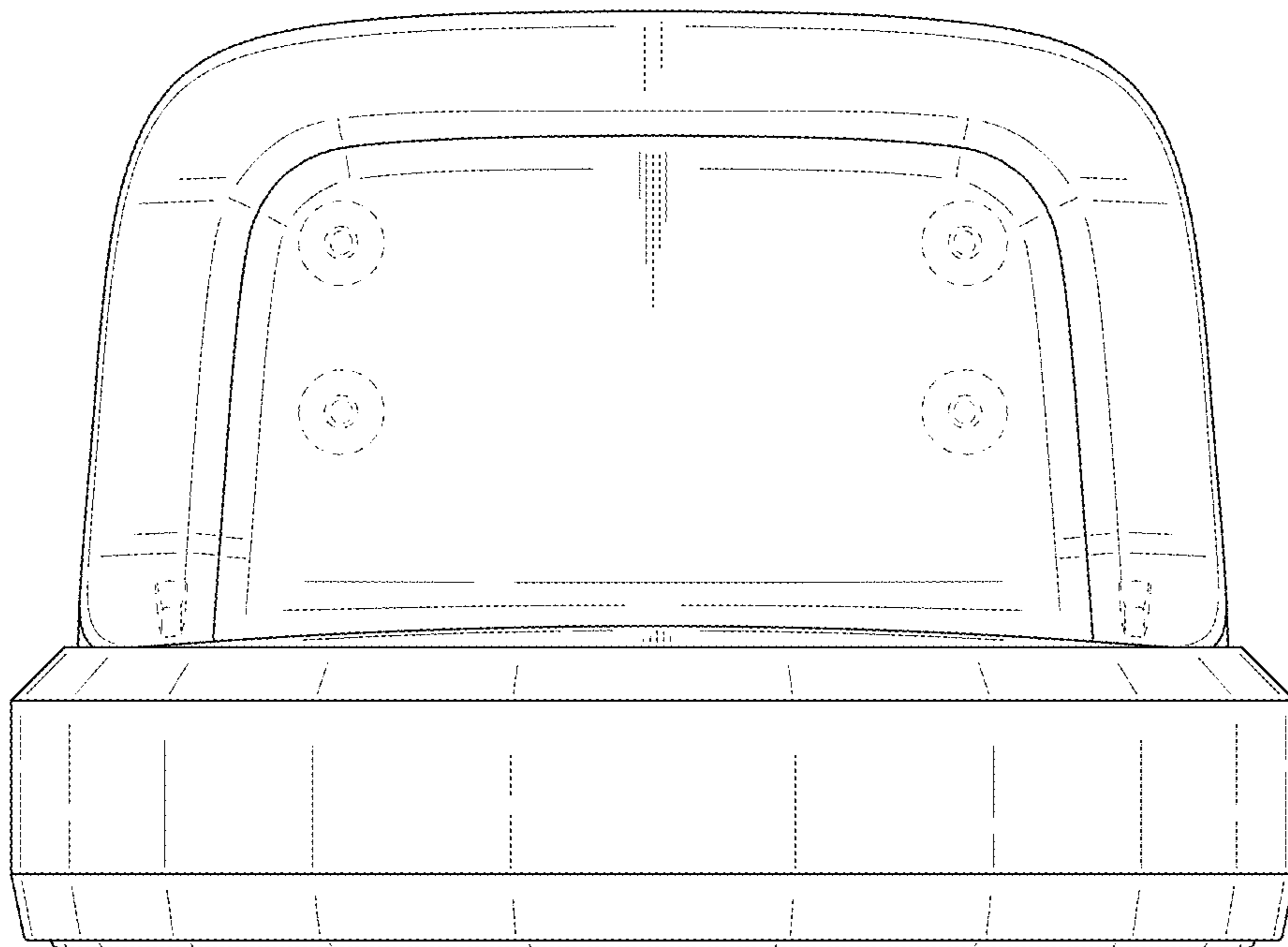


FIG. 3

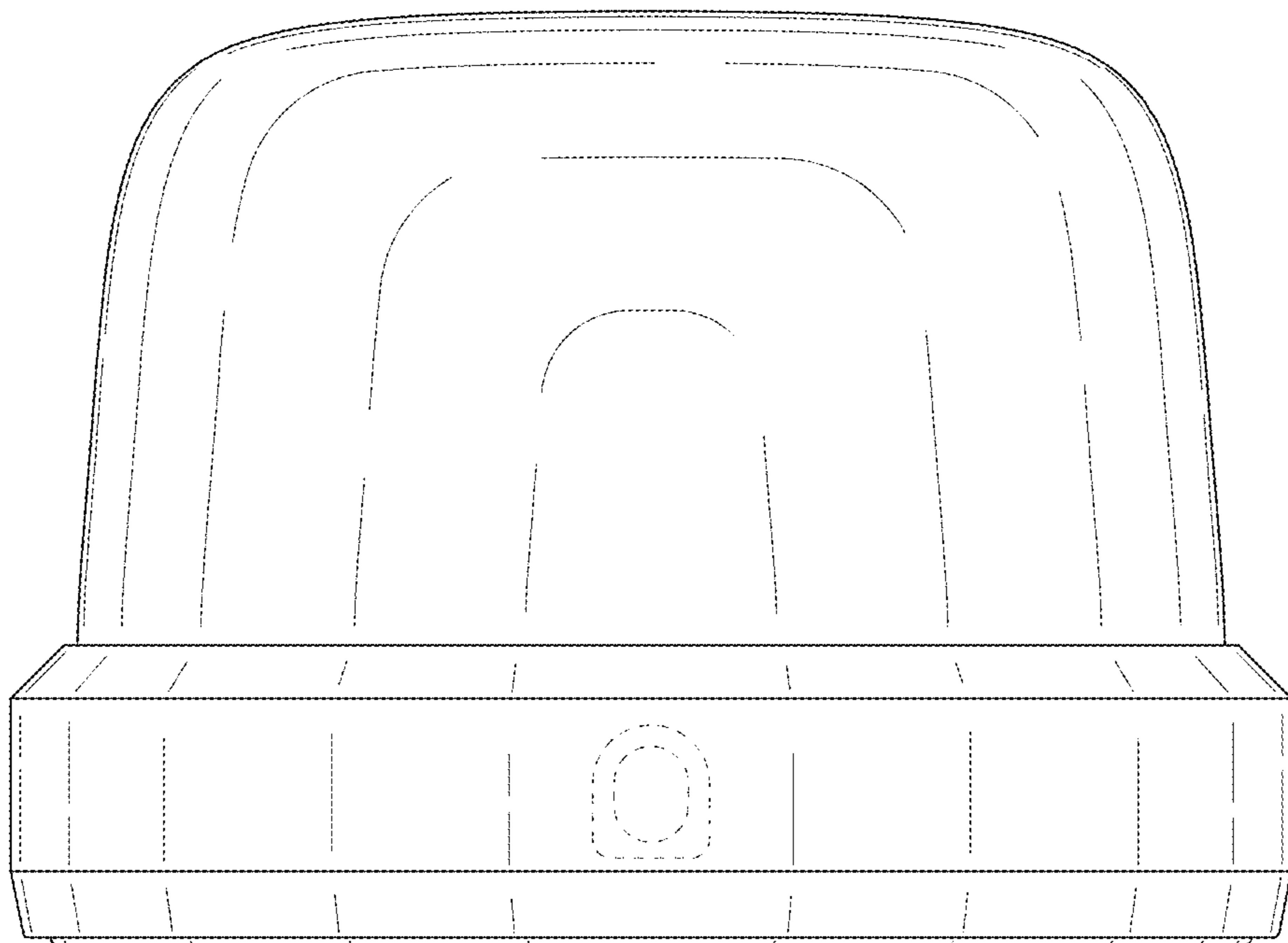


FIG. 4

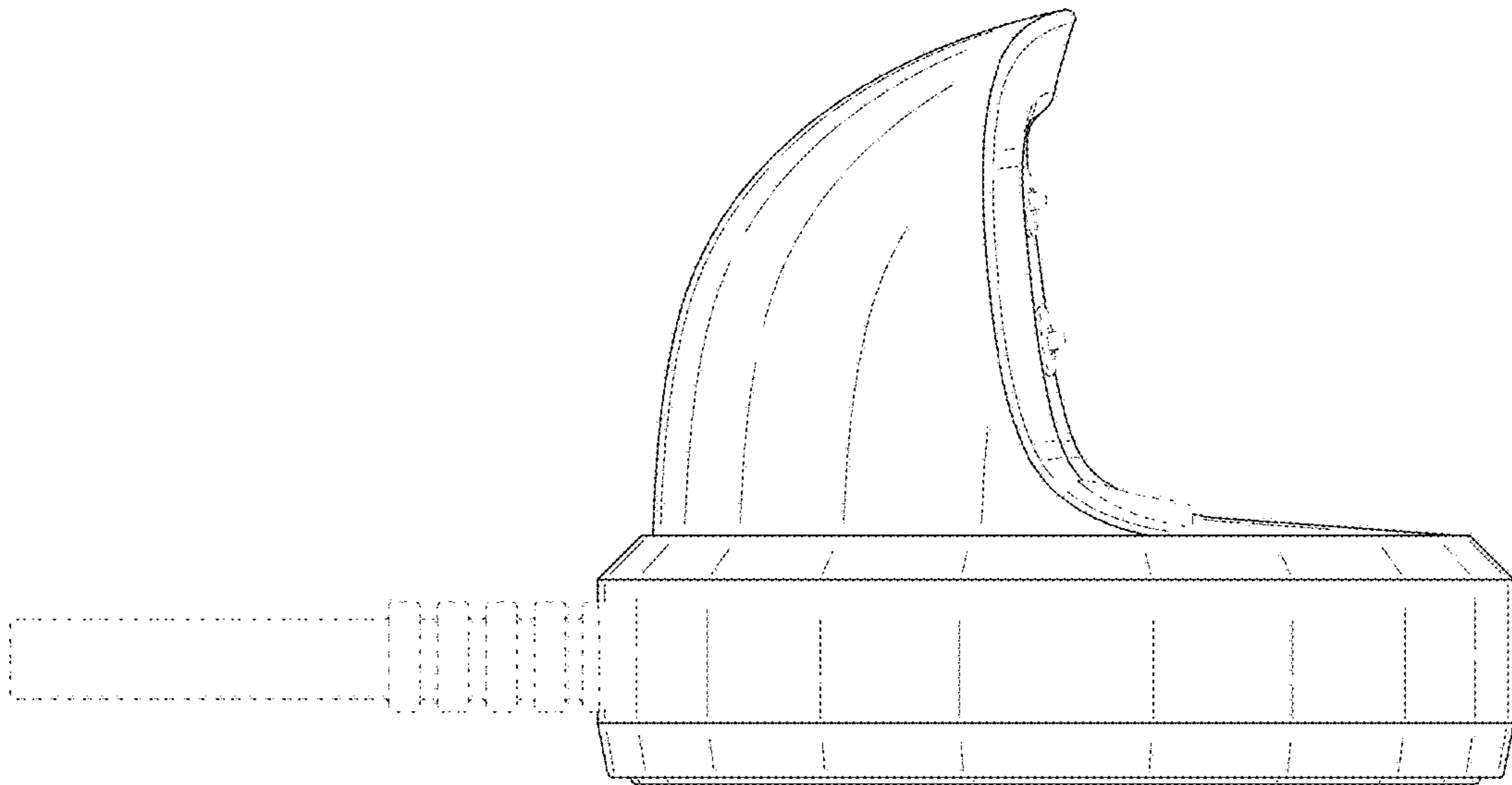


FIG. 5

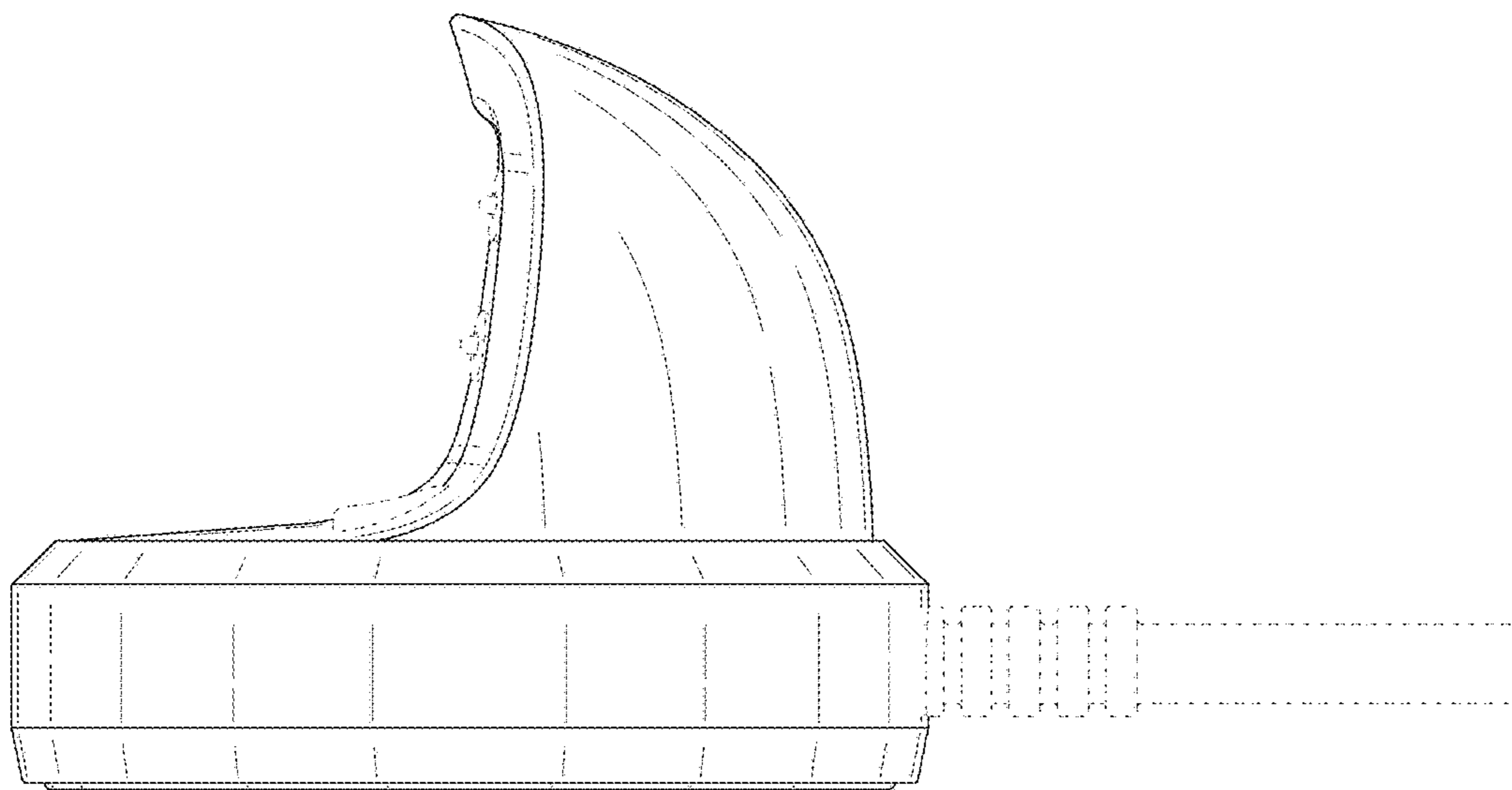


FIG. 6

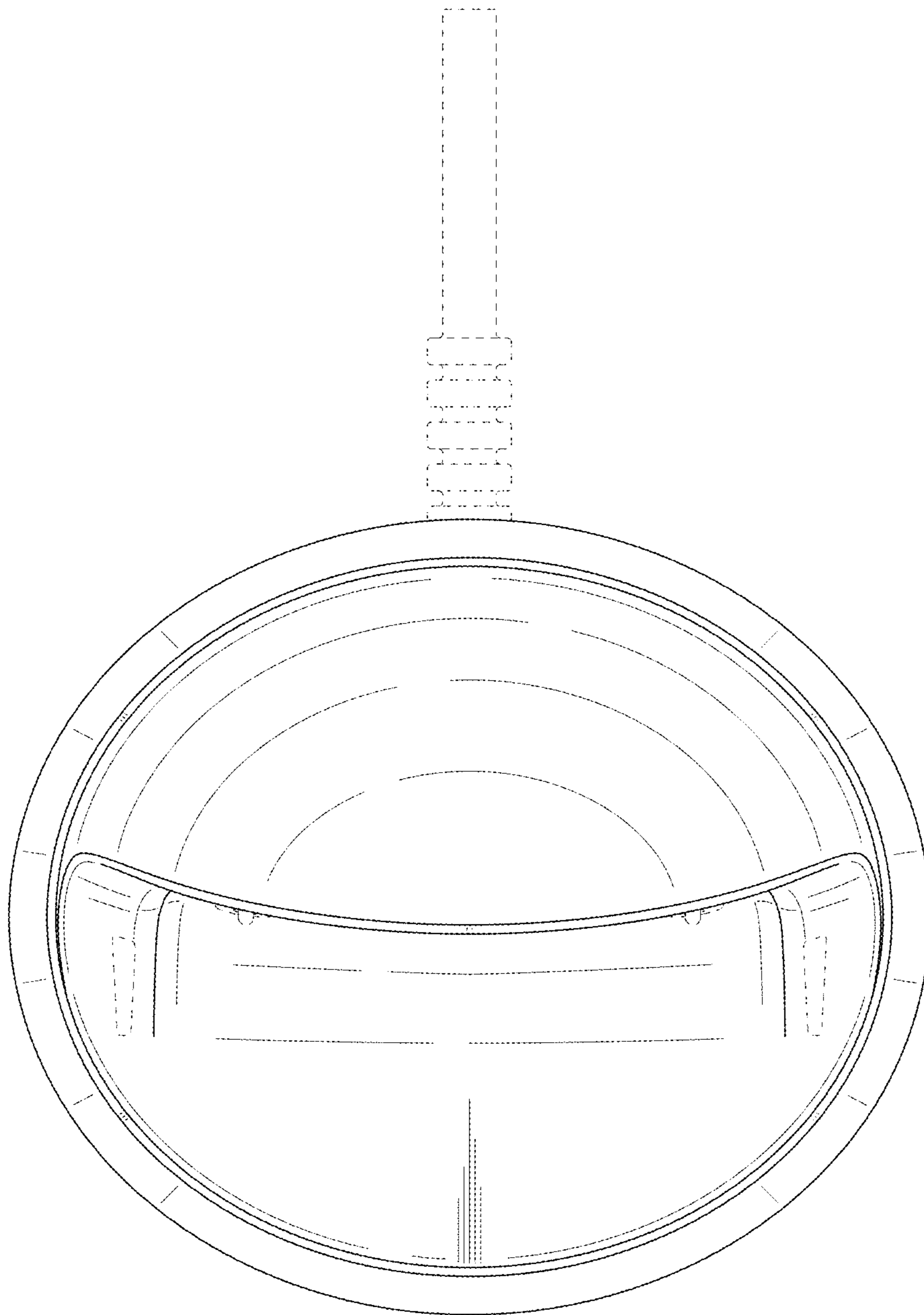


FIG. 7

